



US00D324311S

# United States Patent [19]

Mueller

[11] Patent Number: **Des. 324,311**

[45] Date of Patent: **\*\* Mar. 3, 1992**

[54] **VEHICLE AIR CONDITIONER VENT CLEANING BRUSH**

4,574,415 3/1986 Vitonis ..... D4/119 X

[76] Inventor: **Paul K. Mueller**, 115 Mutch Creek Dr. P.O. Box 613, St. Maries, Id. 83861

### FOREIGN PATENT DOCUMENTS

108299 2/1900 Fed. Rep. of Germany ..... 15/164

[\*\*] Term: **14 Years**

*Primary Examiner*—Wallace R. Burke  
*Assistant Examiner*—Lavone D. Tabor  
*Attorney, Agent, or Firm*—Leon Gilden

[21] Appl. No.: **417,686**

### [57] CLAIM

[22] Filed: **Oct. 5, 1989**

The ornamental design for a vehicle air conditioner vent cleaning brush, as shown and described.

[52] U.S. Cl. .... **D4/119; D4/128**

[58] Field of Search ..... **D4/119, 122, 127-131, D4/135, 138, 199; D18/24; D32/35, 40, 42, 52; 15/143 R, 145, 159 R, 159 A, 160, 164, 206-207; 40/596; D8/95, 97**

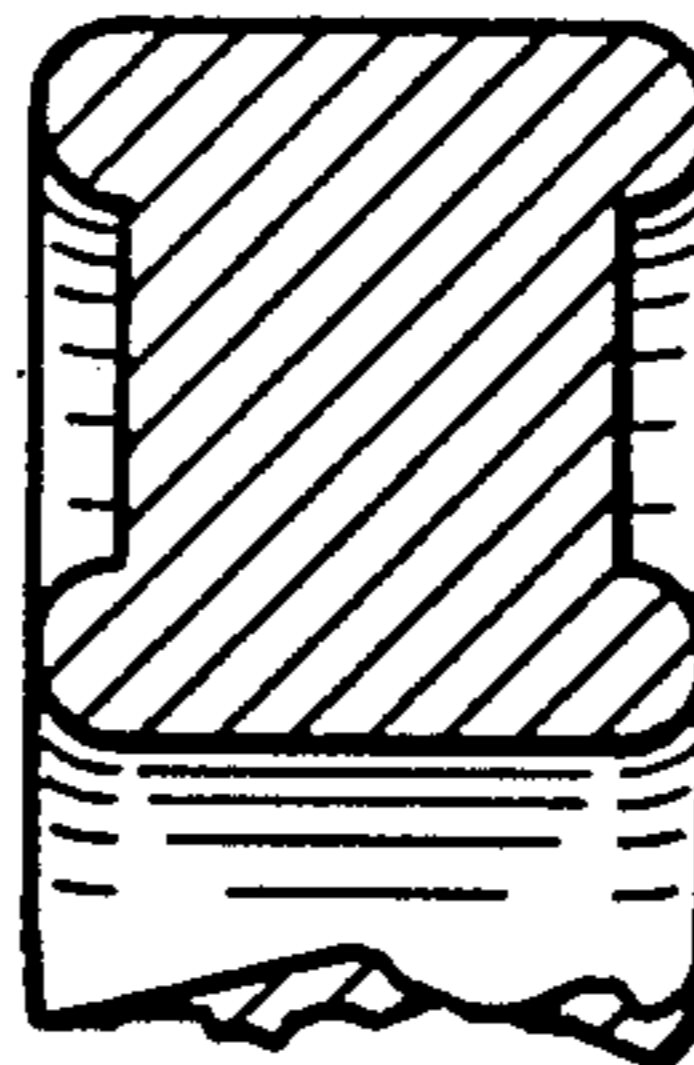
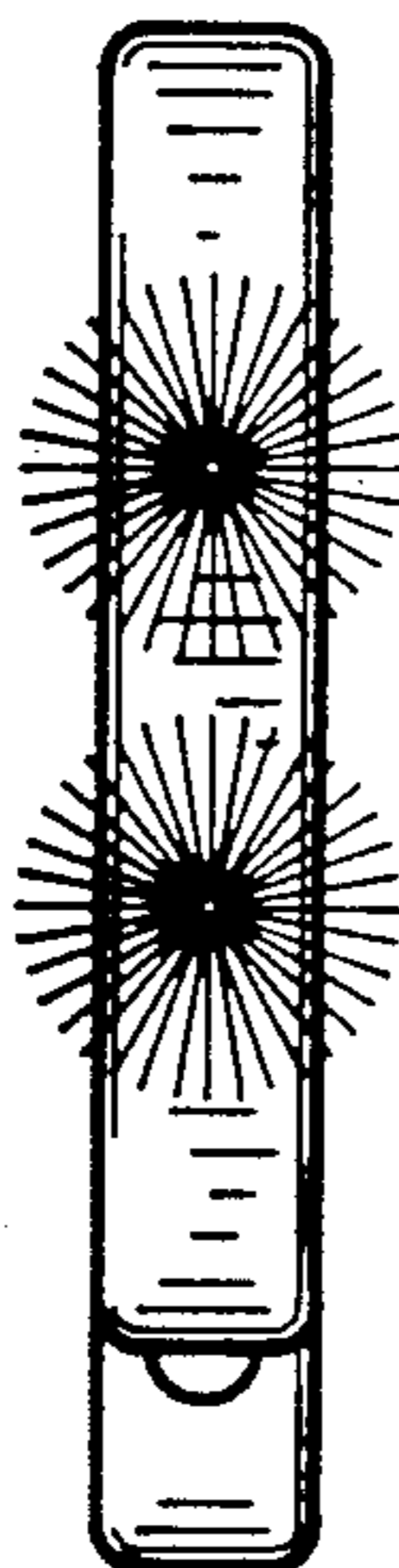
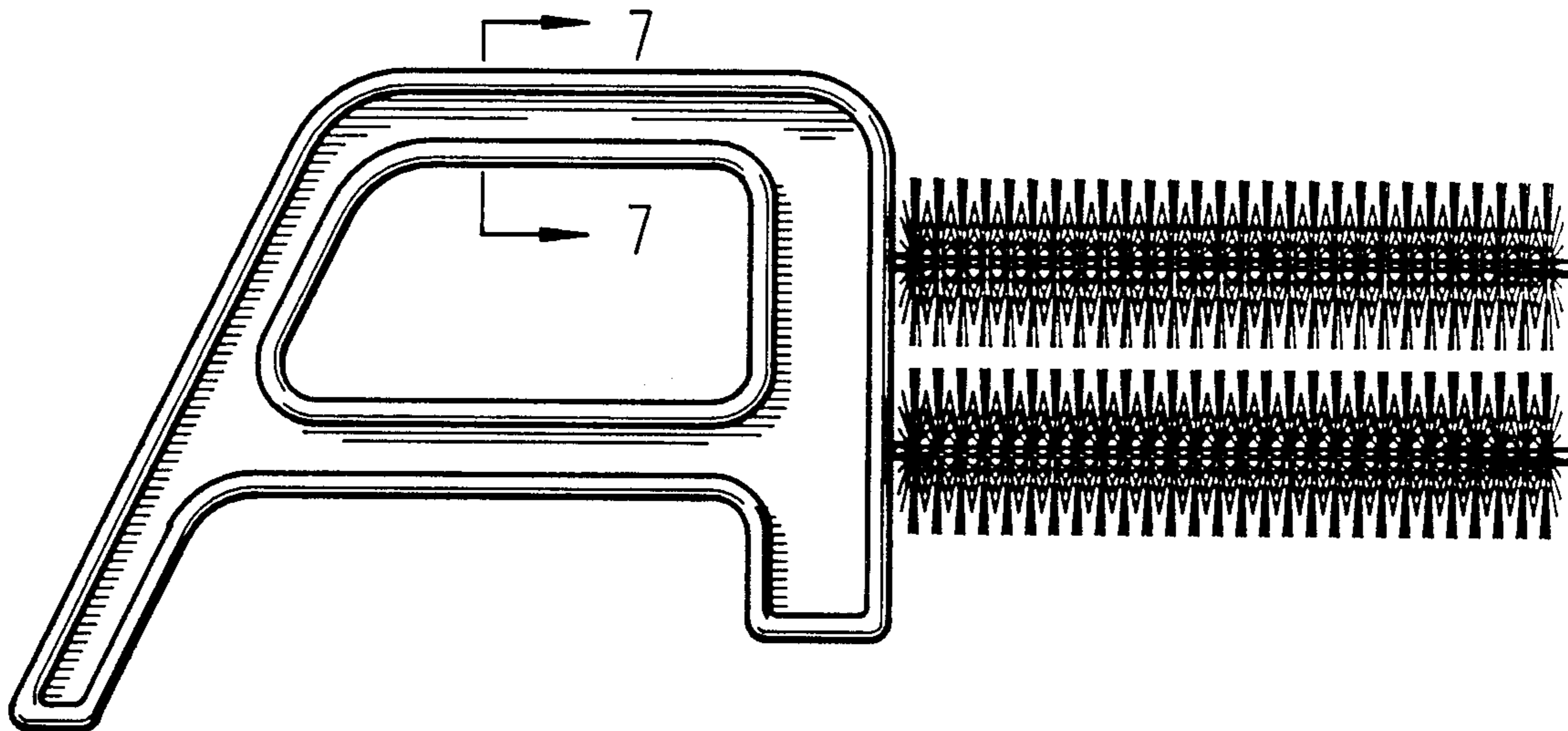
### DESCRIPTION

### [56] References Cited

#### U.S. PATENT DOCUMENTS

D. 96,163 7/1935 Damme ..... D18/24  
D. 143,025 11/1945 Pileggi ..... D8/95  
D. 213,066 12/1968 Wright ..... D4/119 X

FIG. 1 is a front elevational view of a vehicle air conditioner vent cleaning brush showing my new design; FIG. 2 is a rear elevational view thereof; FIG. 3 is a left side elevational view thereof; FIG. 4 is a right side elevational view thereof; FIG. 5 is a top plan view thereof; FIG. 6 is a bottom plan view thereof; and FIG. 7 is a sectional view thereof taken along line 7—7 of FIG. 1.



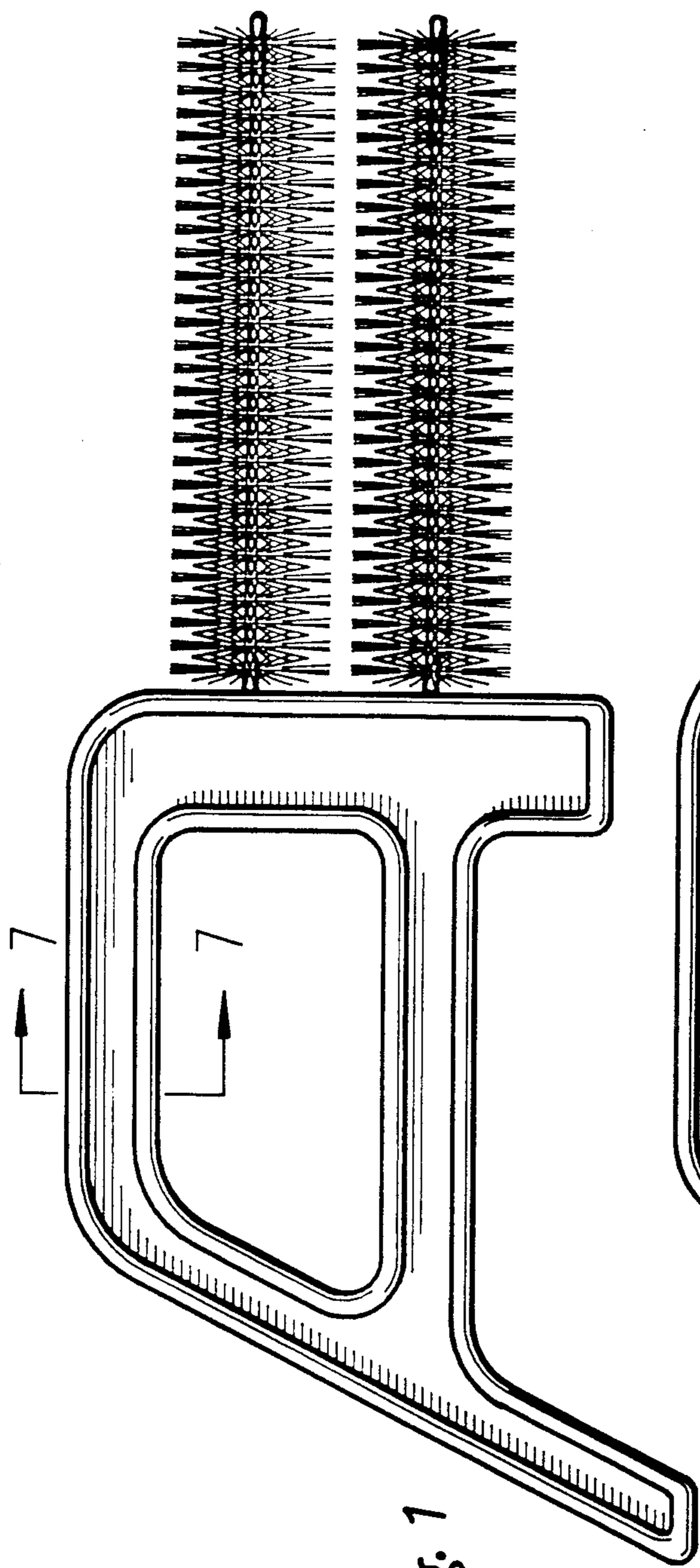


Fig. 1

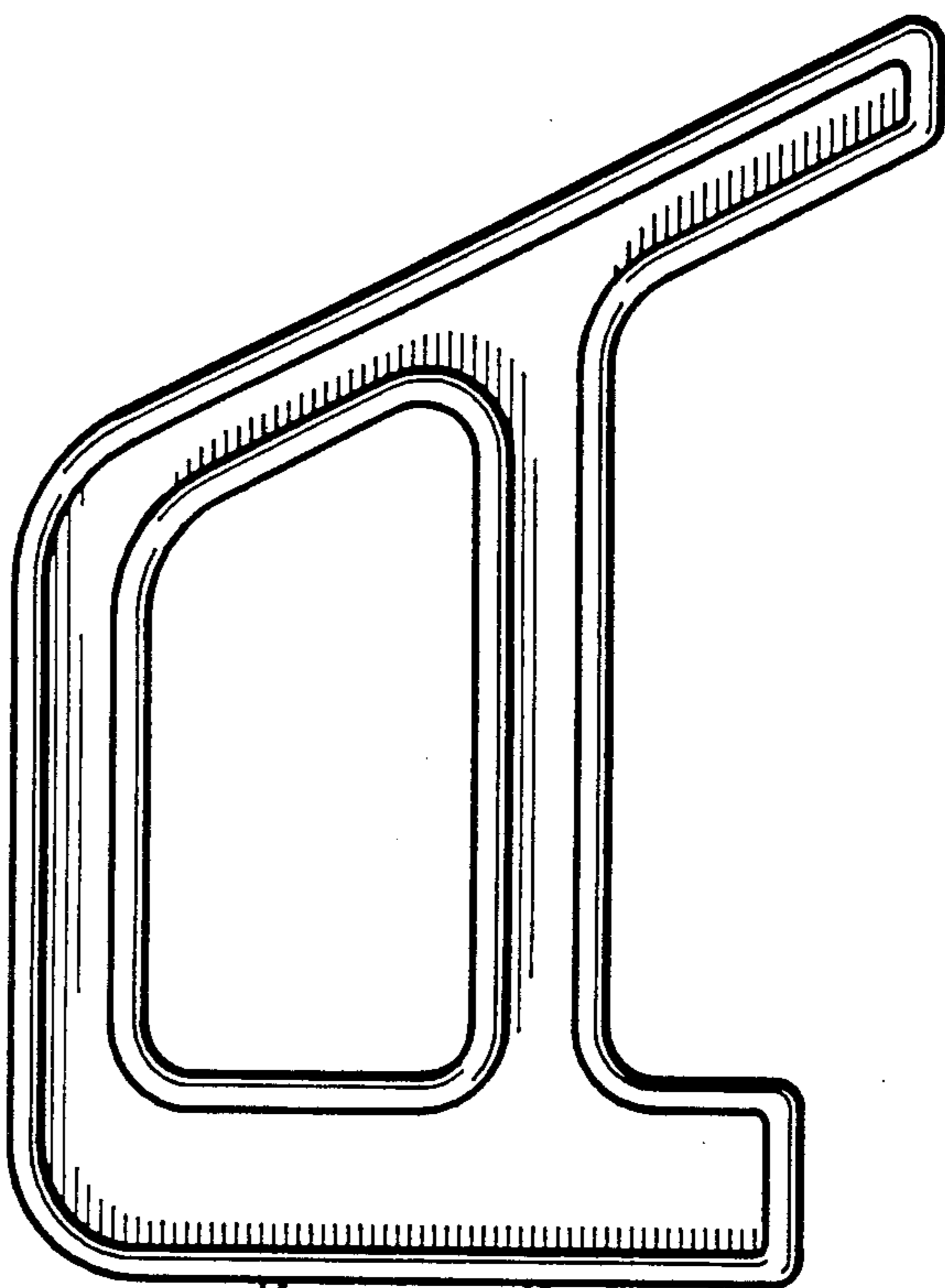


Fig. 2

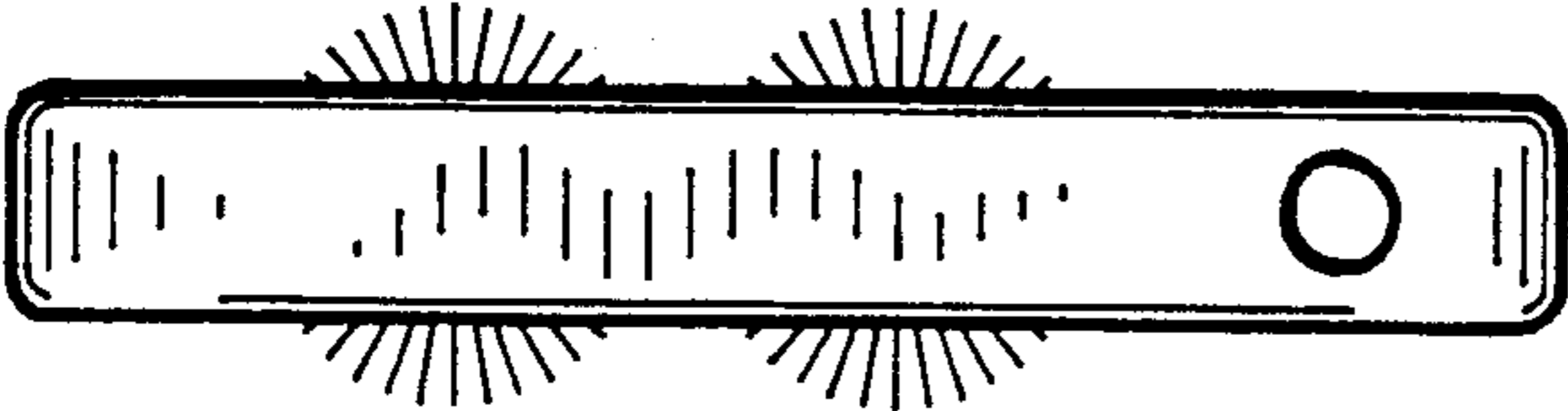


Fig. 3

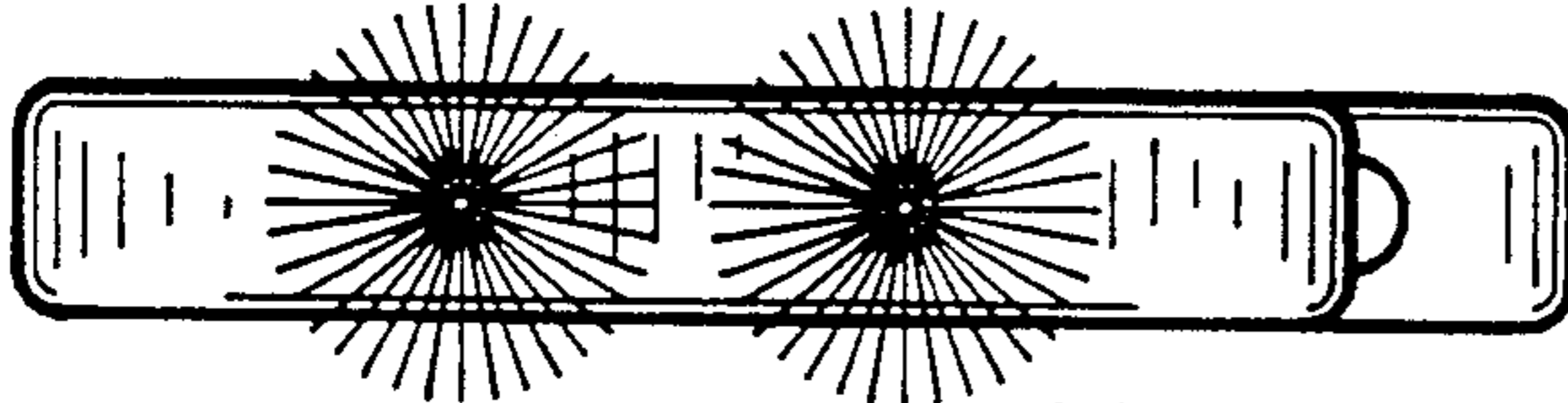


Fig. 4

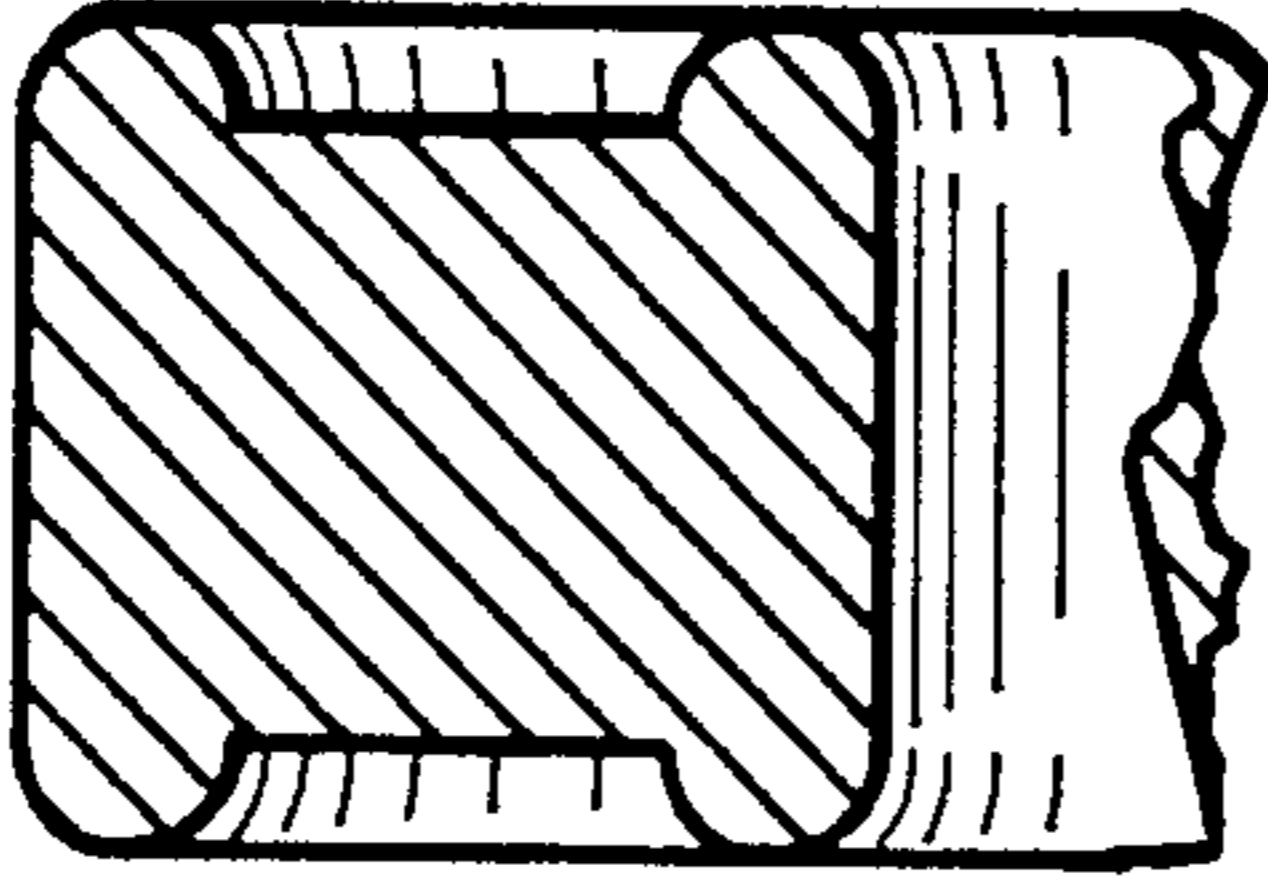


Fig. 7

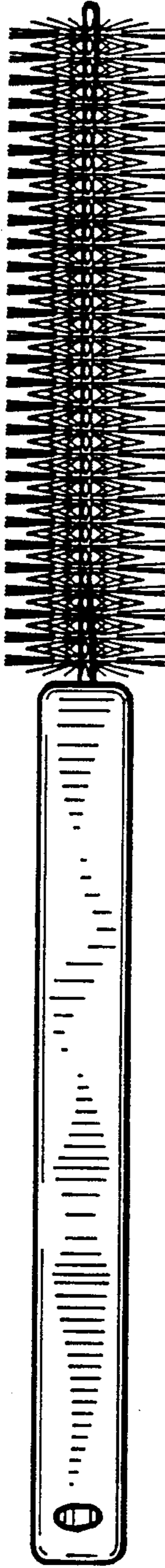


Fig. 5

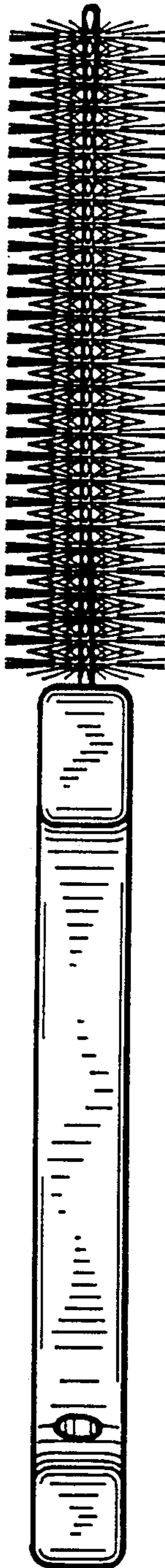


Fig. 6