



US00D324306S

United States Patent [19]

[11] Patent Number: **Des. 324,306**

Lin

[45] Date of Patent: **** Mar. 3, 1992**

[54] CAR SHAPED STORAGE BOX

4,850,092 7/1989 Newarski 206/457 X

[76] Inventor: **Cheng-Te Lin**, No. 43, Chung Ming Sixth Street, Tainan, Taiwan

FOREIGN PATENT DOCUMENTS

536192 5/1941 United Kingdom D3/66

[**] Term: **14 Years**

Primary Examiner—Louis S. Zarfaz
Assistant Examiner—M. N. Pandozzi
Attorney, Agent, or Firm—Leonard Bloom

[21] Appl. No.: **546,794**

[22] Filed: **Jul. 2, 1990**

[52] U.S. Cl. D3/66; D7/627; D3/44

[57] CLAIM

The ornamental design for a car shaped storage box, as shown and described.

[58] Field of Search D3/66, 44, 45; D21/136, D21/137; 206/541, 540, 457; 170/18 A; D7/626, 627, 628

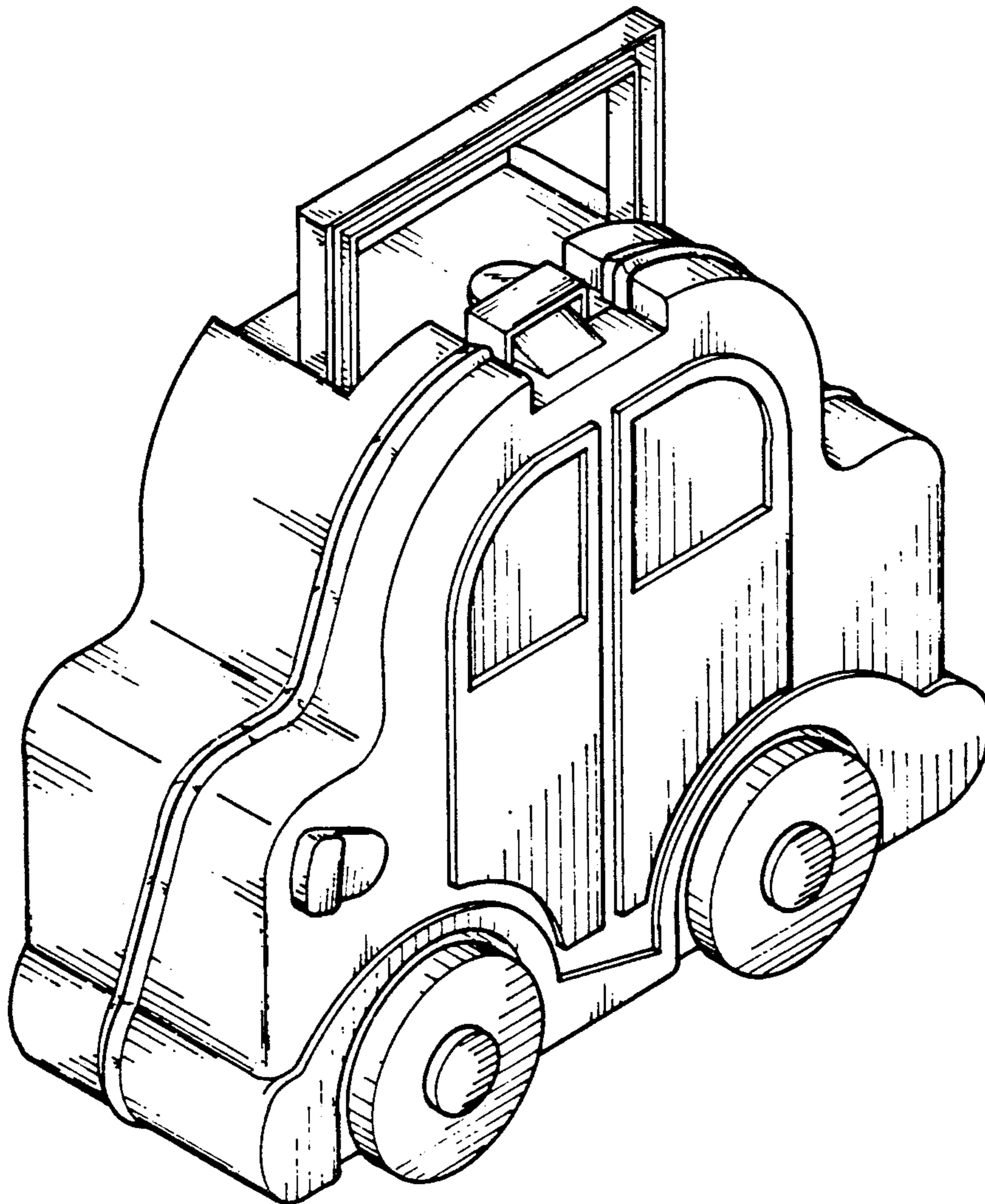
DESCRIPTION

FIG. 1 is a front, top and left side perspective view of a car shaped storage box showing my new design; FIG. 2 is a front elevational view thereof; FIG. 3 is a rear elevational view thereof; FIG. 4 is a left side elevational view thereof; FIG. 5 is a right side elevational view thereof; FIG. 6 is a top plan view thereof; and FIG. 7 is a bottom plan view thereof.

[56] References Cited

U.S. PATENT DOCUMENTS

D. 83,002	1/1931	Miller	D3/44
D. 232,029	7/1974	Glass et al.	D21/136
D. 269,826	7/1983	Ko	D3/66 X
D. 299,898	2/1989	Pashley	D7/627
D. 314,311	2/1991	Cunningham	D7/627



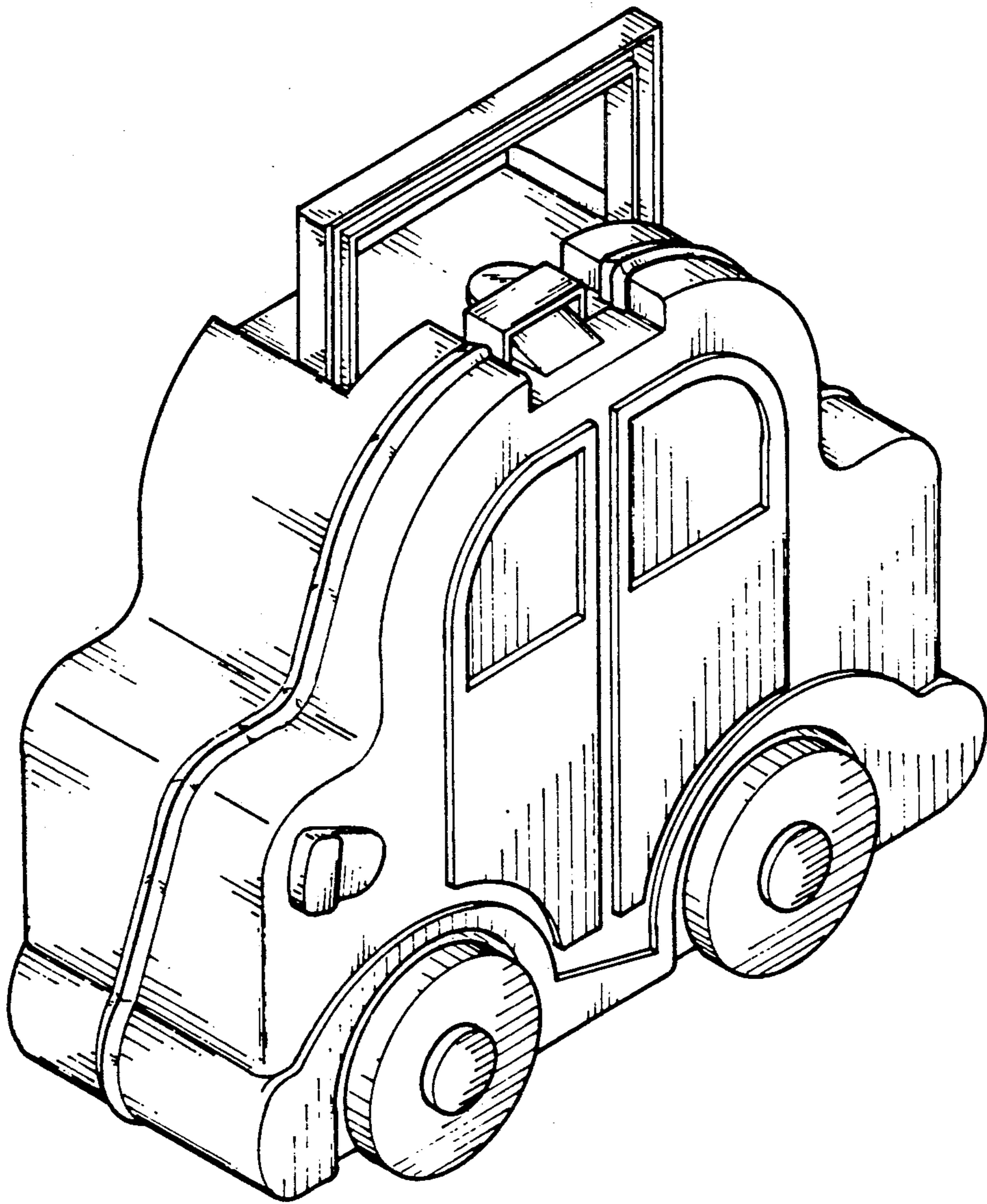


FIG 1

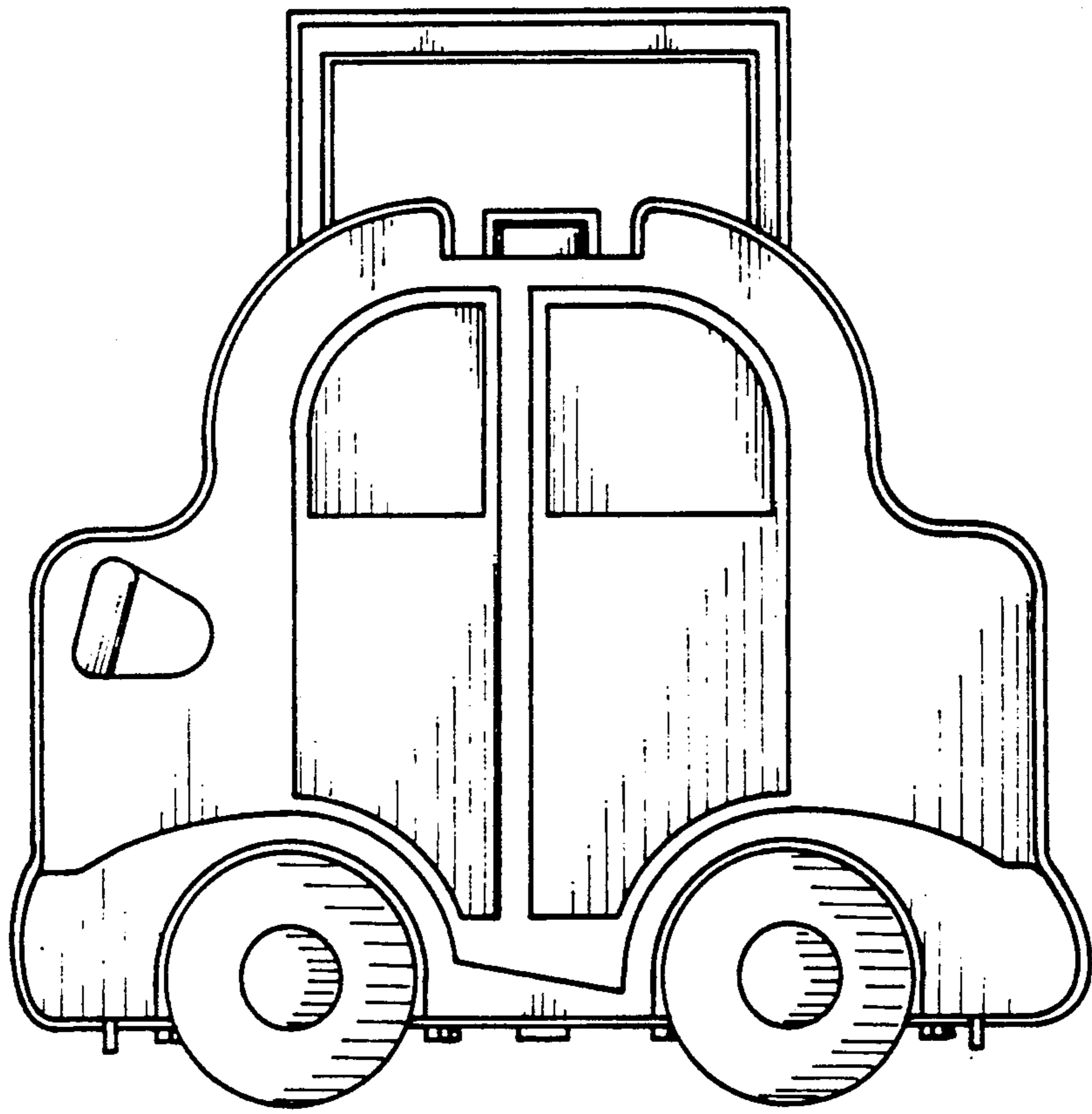


FIG 2

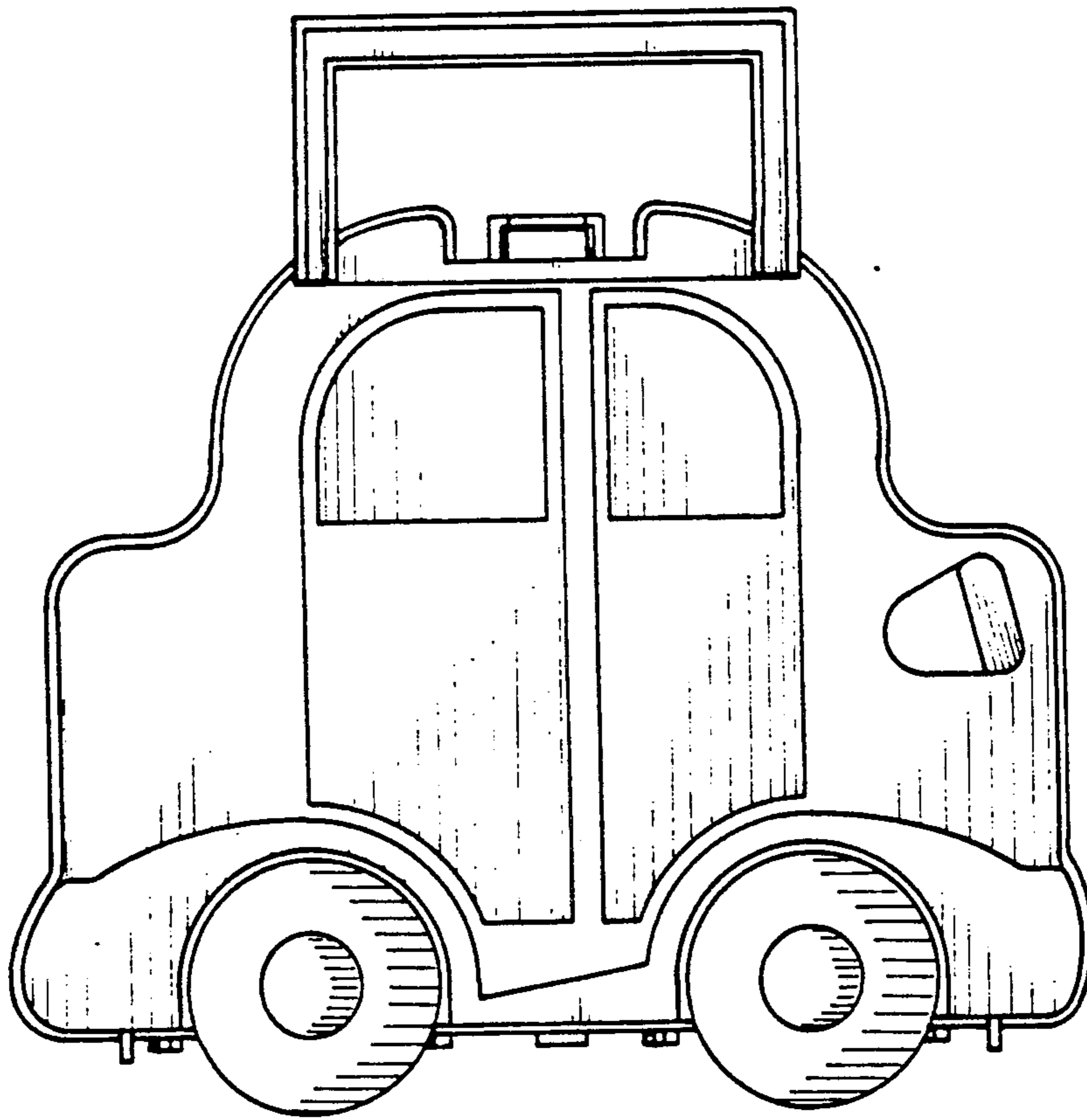


FIG 3

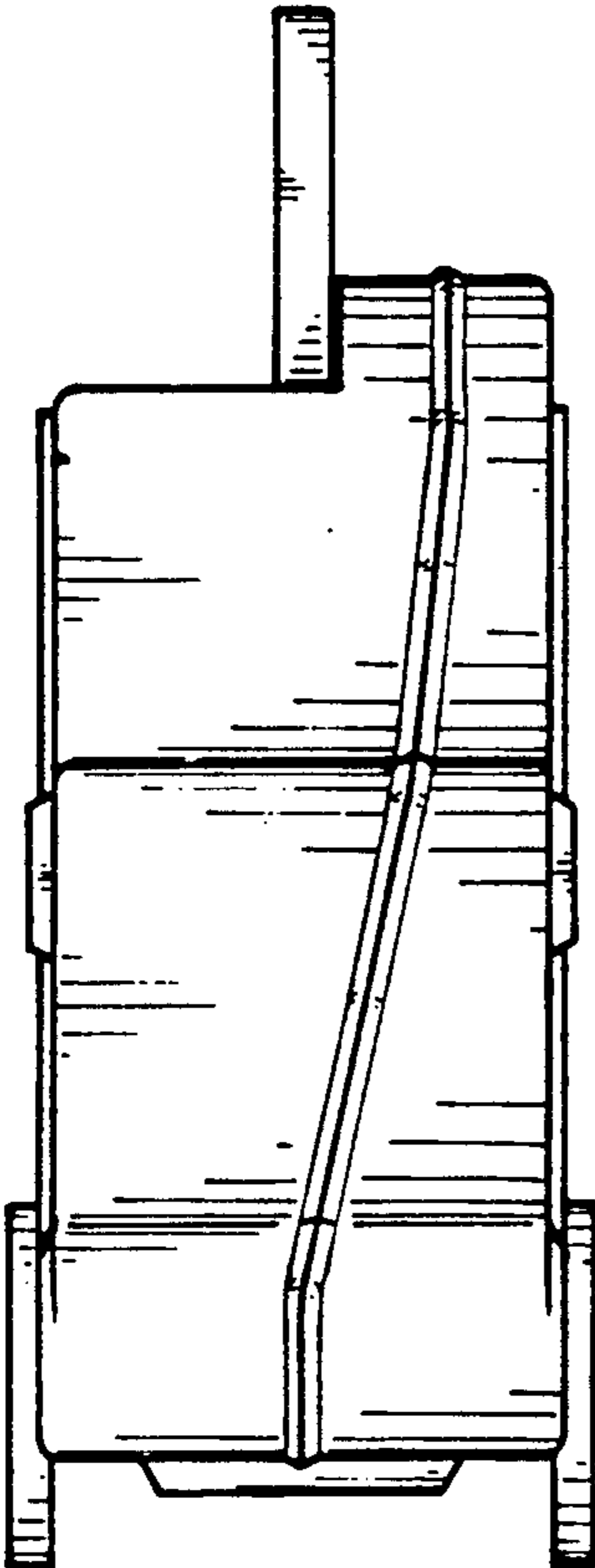


FIG 4

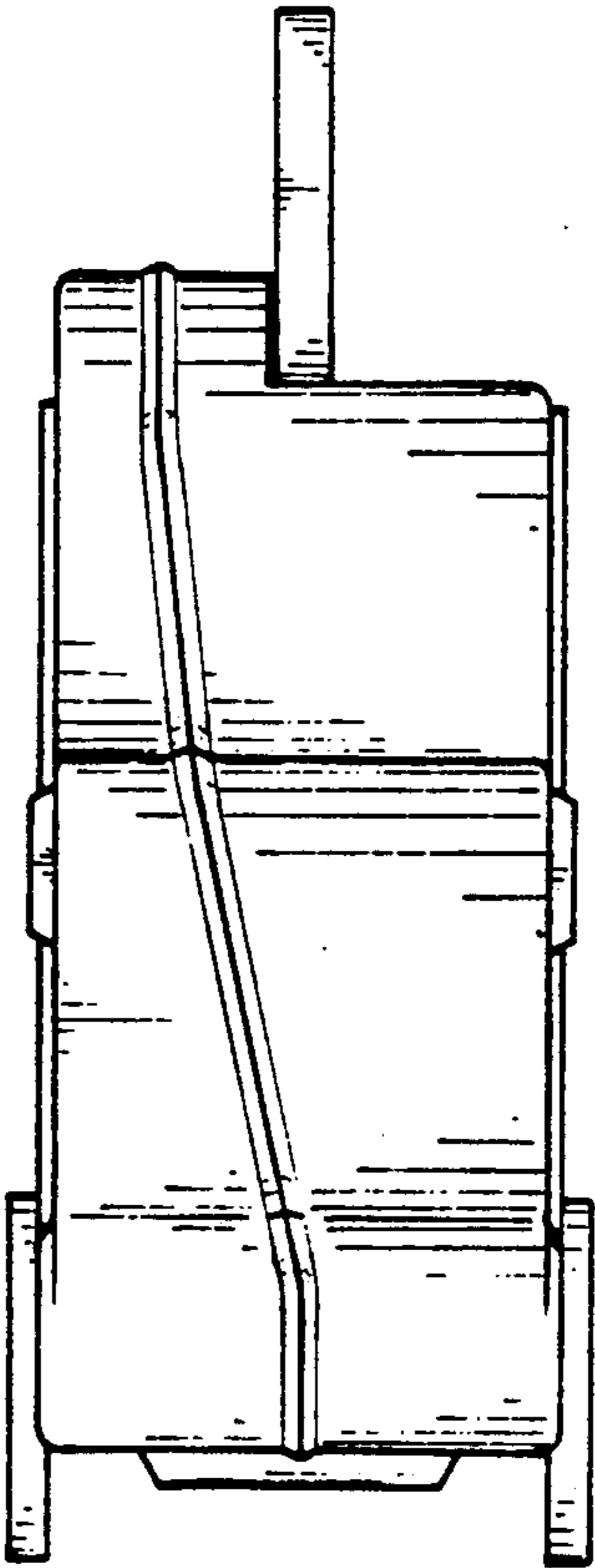


FIG 5

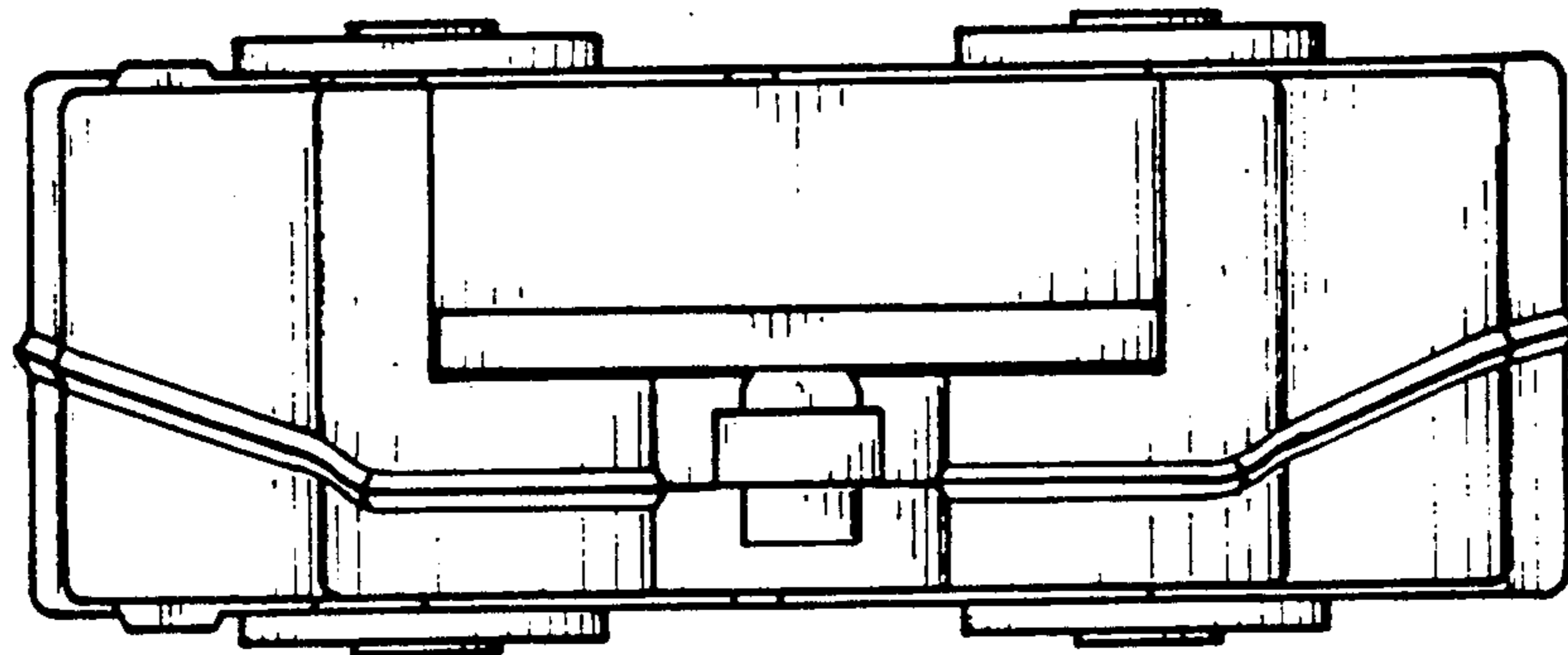


FIG 6

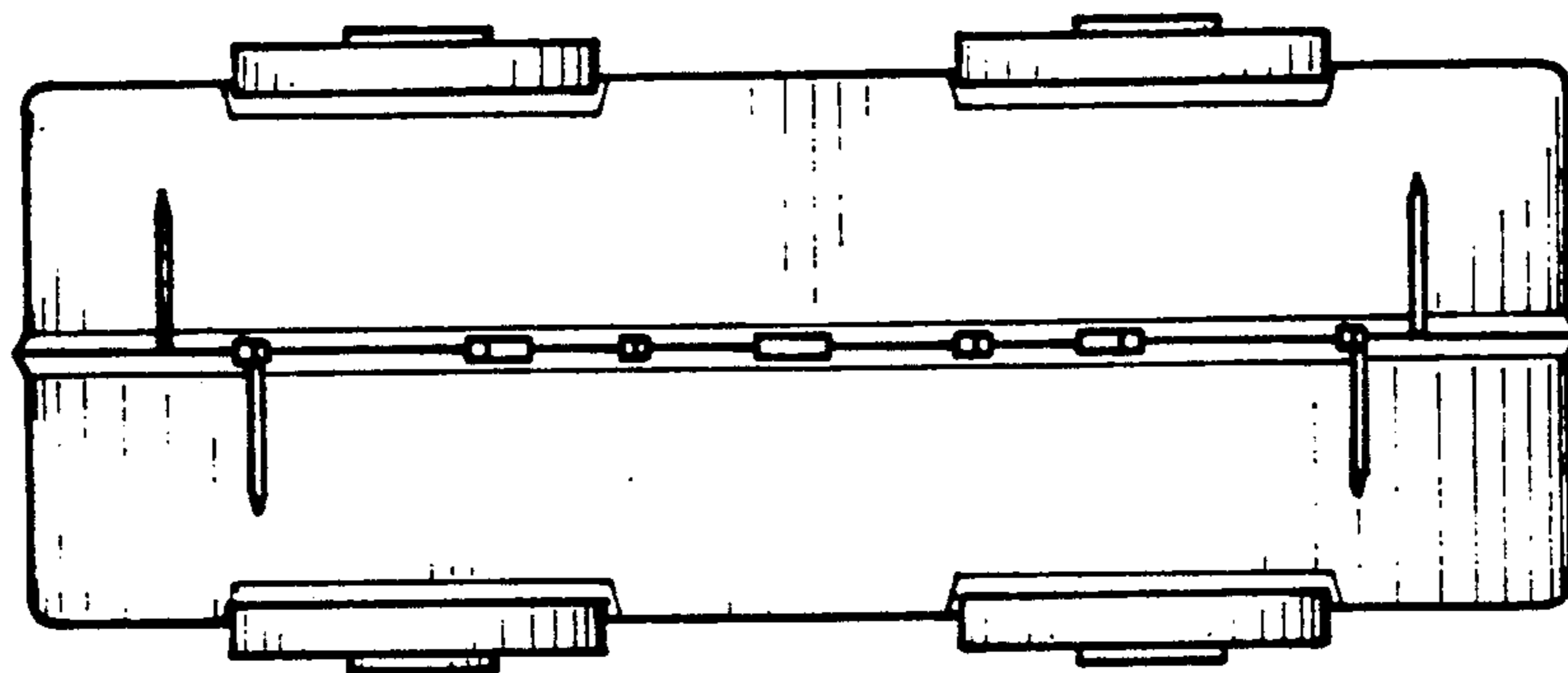


FIG 7