



US00D324305S

# United States Patent [19]

[11] Patent Number: **Des. 324,305**

**Prey**

[45] Date of Patent: **\*\* Mar. 3, 1992**

[54] **CREDIT CARD HOLDER**

3,146,816	9/1964	Osher	150/148
3,242,959	3/1966	Glass	150/148 X
4,141,400	2/1979	Mangan	150/147 X

[75] Inventor: **Kuno Prey, Bolzano, Italy**

[73] Assignee: **Nava Milano S.p.A., Milan, Italy**

[\*\*] Term: **14 Years**

*Primary Examiner*—Wallace R. Burke  
*Assistant Examiner*—Pam Schmidt  
*Attorney, Agent, or Firm*—Guido Modiano; Albert Josif

[21] Appl. No.: **384,517**

[57] **CLAIM**

[22] Filed: **Jul. 24, 1989**

The ornamental design for credit card holder, as shown and described.

[30] **Foreign Application Priority Data**

Jan. 25, 1989 [IT] Italy ..... 20478/89[U]  
 [52] U.S. Cl. .... **D3/56**  
 [58] Field of Search ..... D3/30.5, 56-60;  
 D20/43; D21/54, 55, 57; D11/78.1; D19/9, 10,  
 65, 88, 75, 86, 26, 27; 150/131, 132, 134, 138,  
 143-149; 206/425

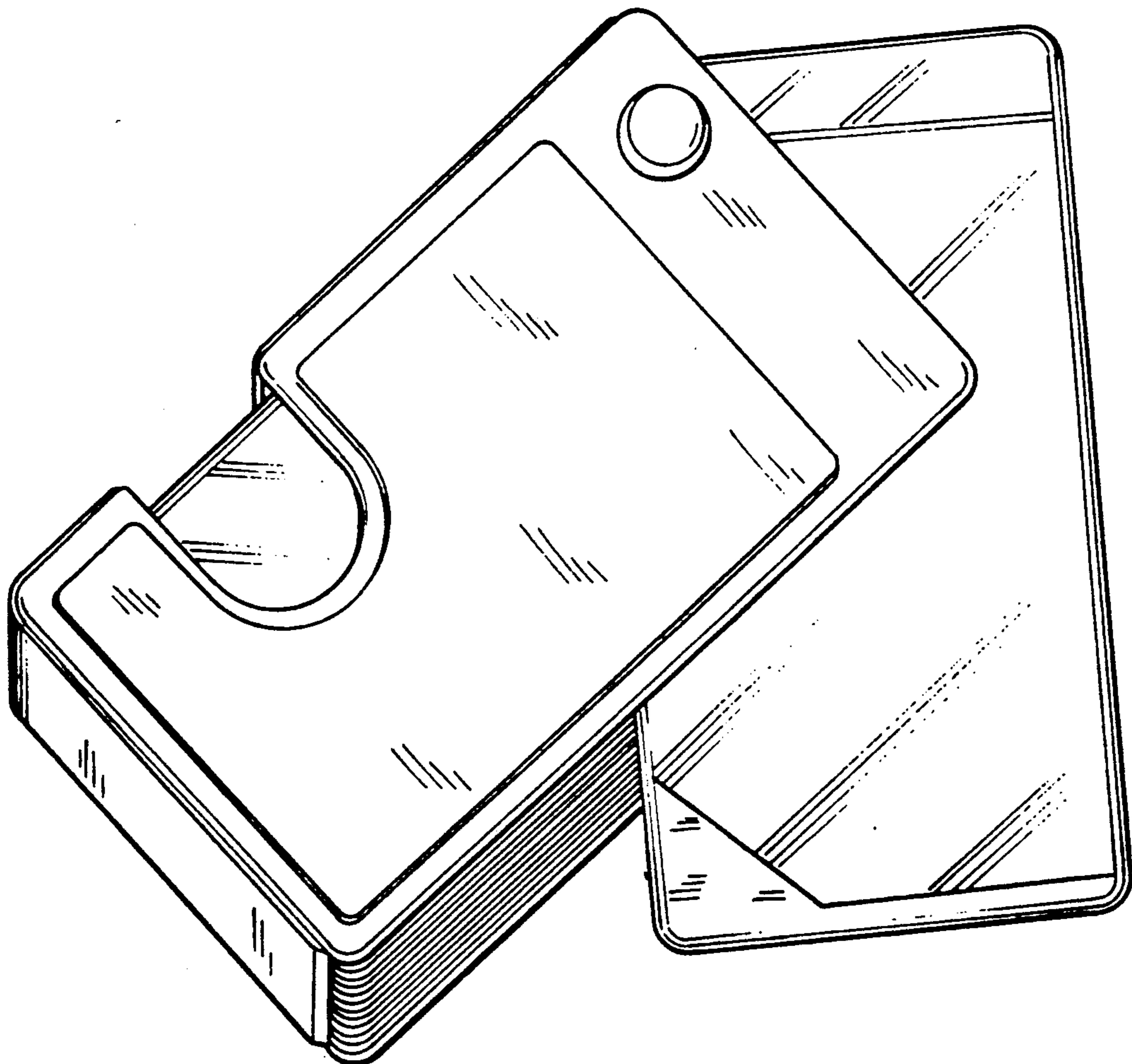
**DESCRIPTION**

FIG. 1 is a top perspective view of the credit card holder showing my new design in a closed position; FIG. 2 is a top perspective view thereof, in a partially open position; FIG. 3 is a top plan view thereof; FIG. 4 is a bottom plan view thereof; FIG. 5 is a front elevational view thereof; FIG. 6 is a rear elevational view thereof; FIG. 7 is a right side elevational view thereof; FIG. 8 is a left elevational view thereof; and FIG. 9 is a top perspective view thereof, in a fully opened position, it being understood that the undisclosed cards are substantially the same.

[56] **References Cited**

**U.S. PATENT DOCUMENTS**

D. 249,766	10/1978	Munn	D19/75 X
D. 274,099	6/1984	Belser	D19/10 X
2,681,677	6/1954	Poeltl	150/147
3,124,187	3/1964	Bosca et al.	150/145 X



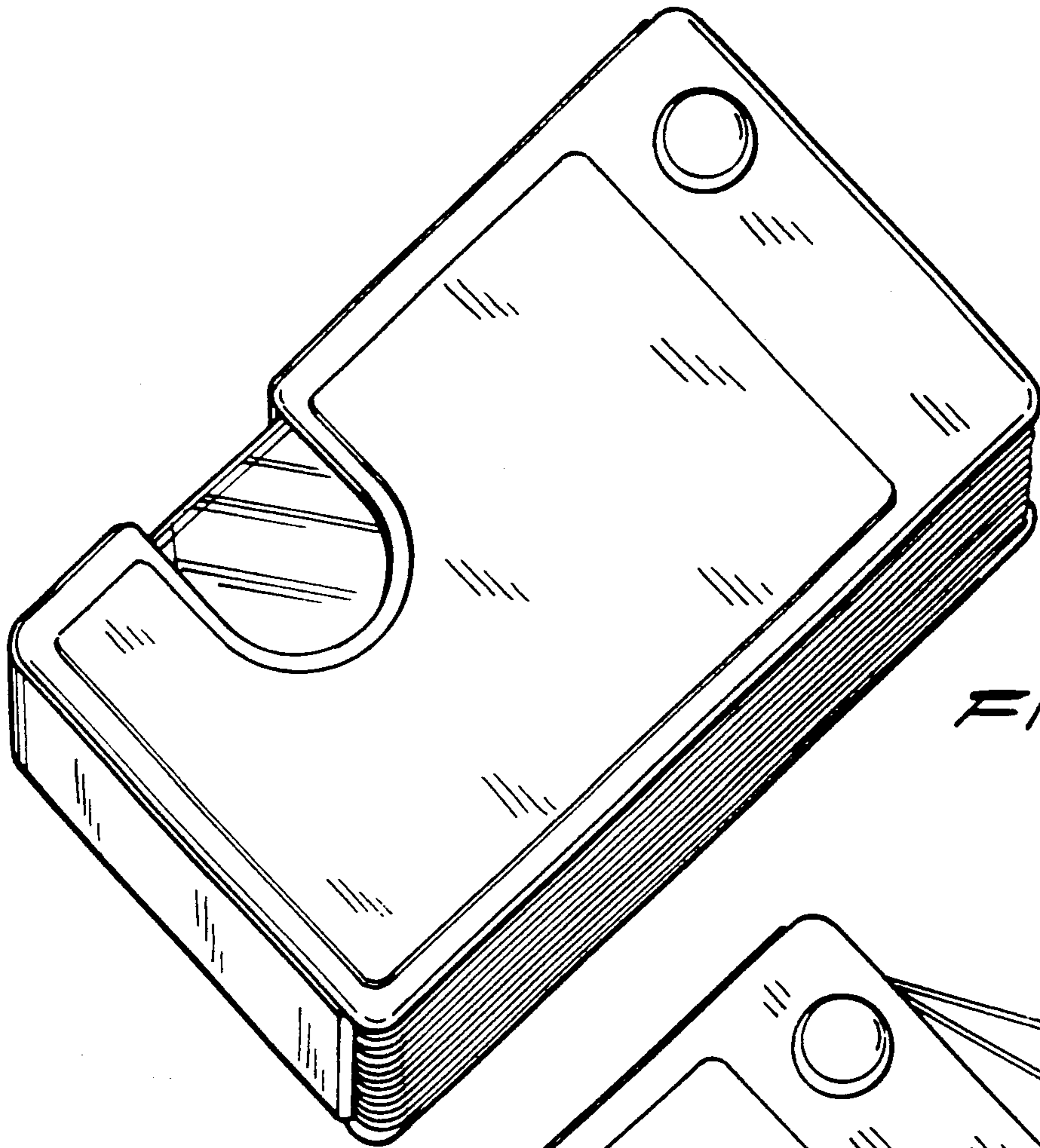


FIG. 1

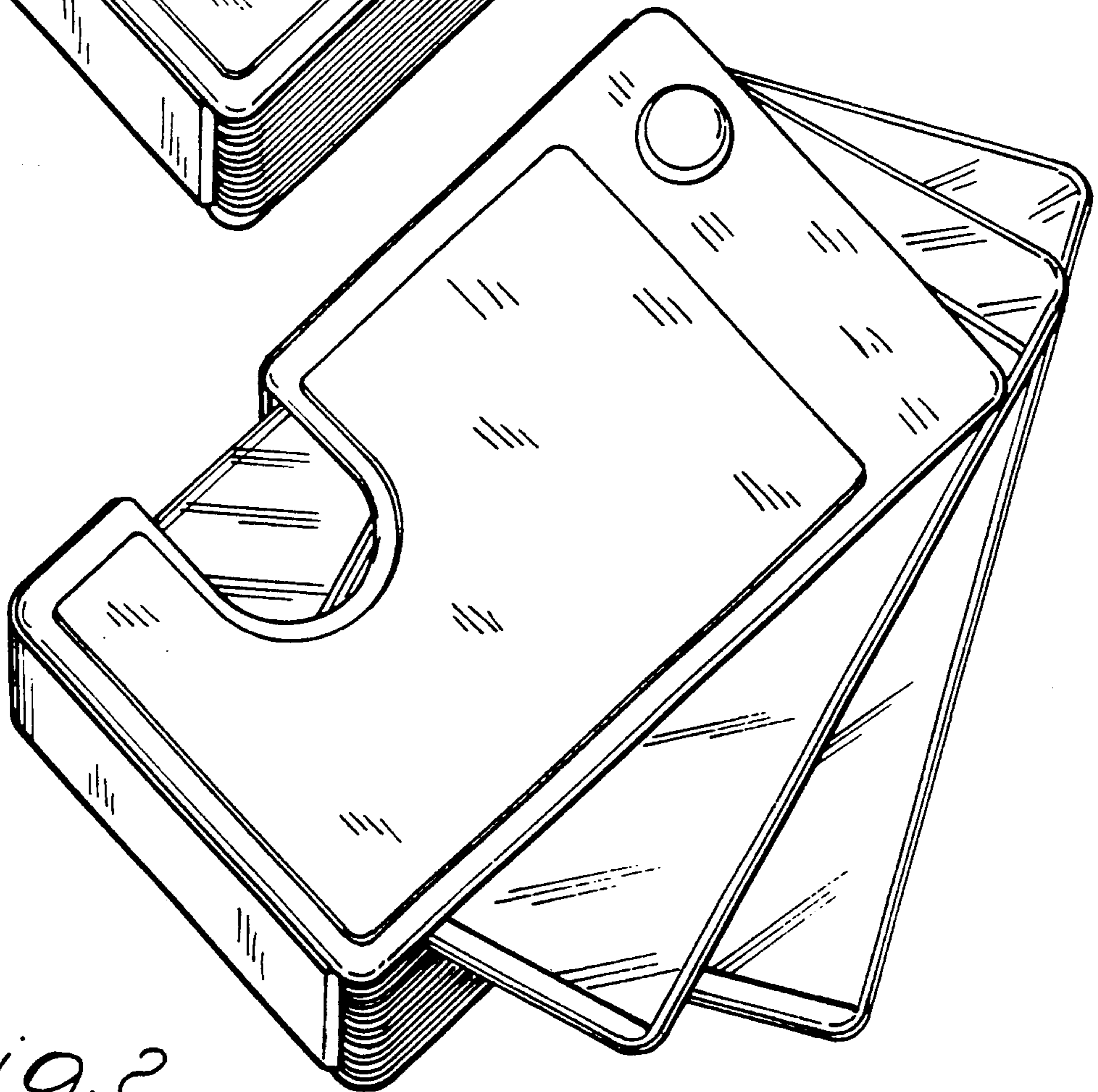


FIG. 2

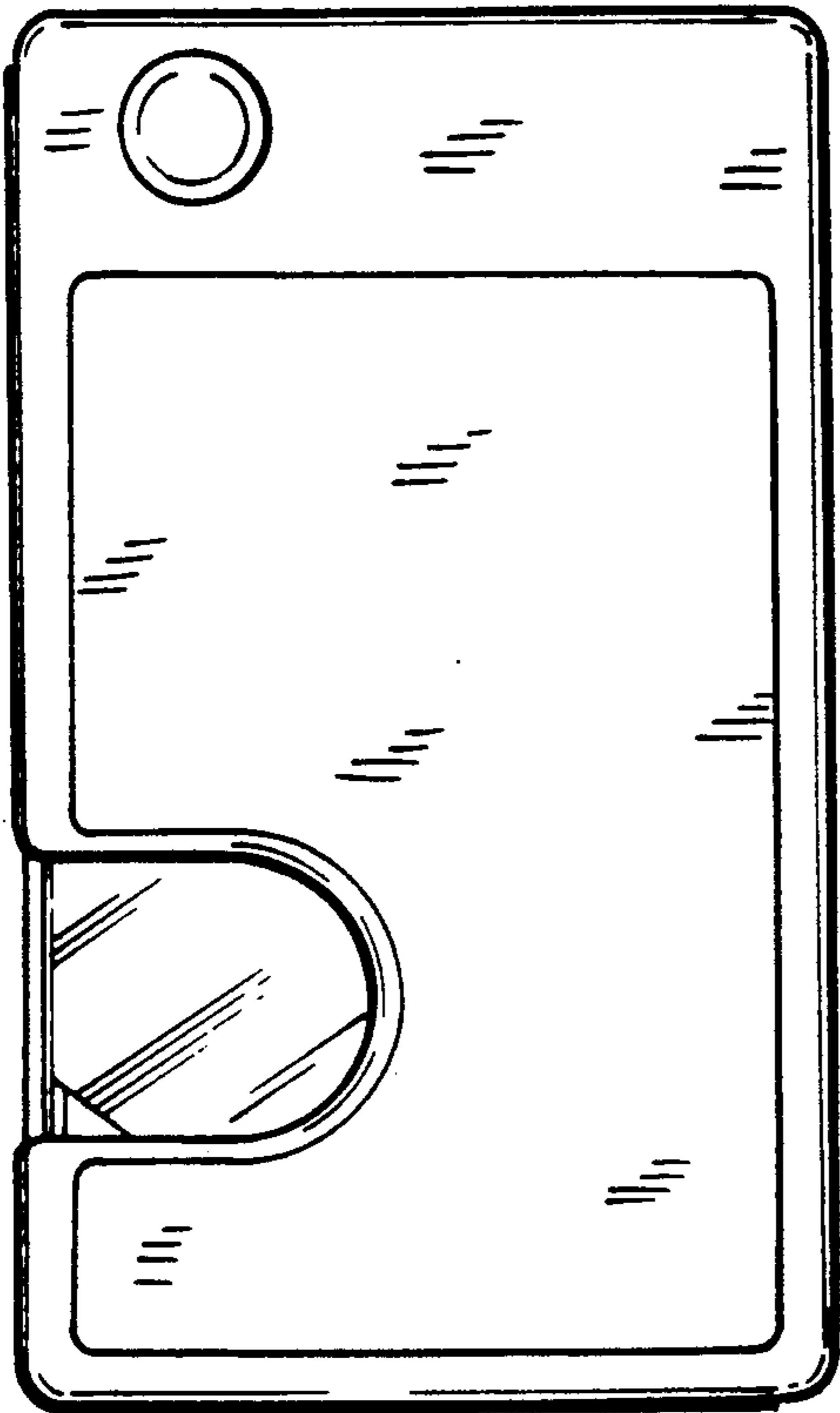


FIG. 3

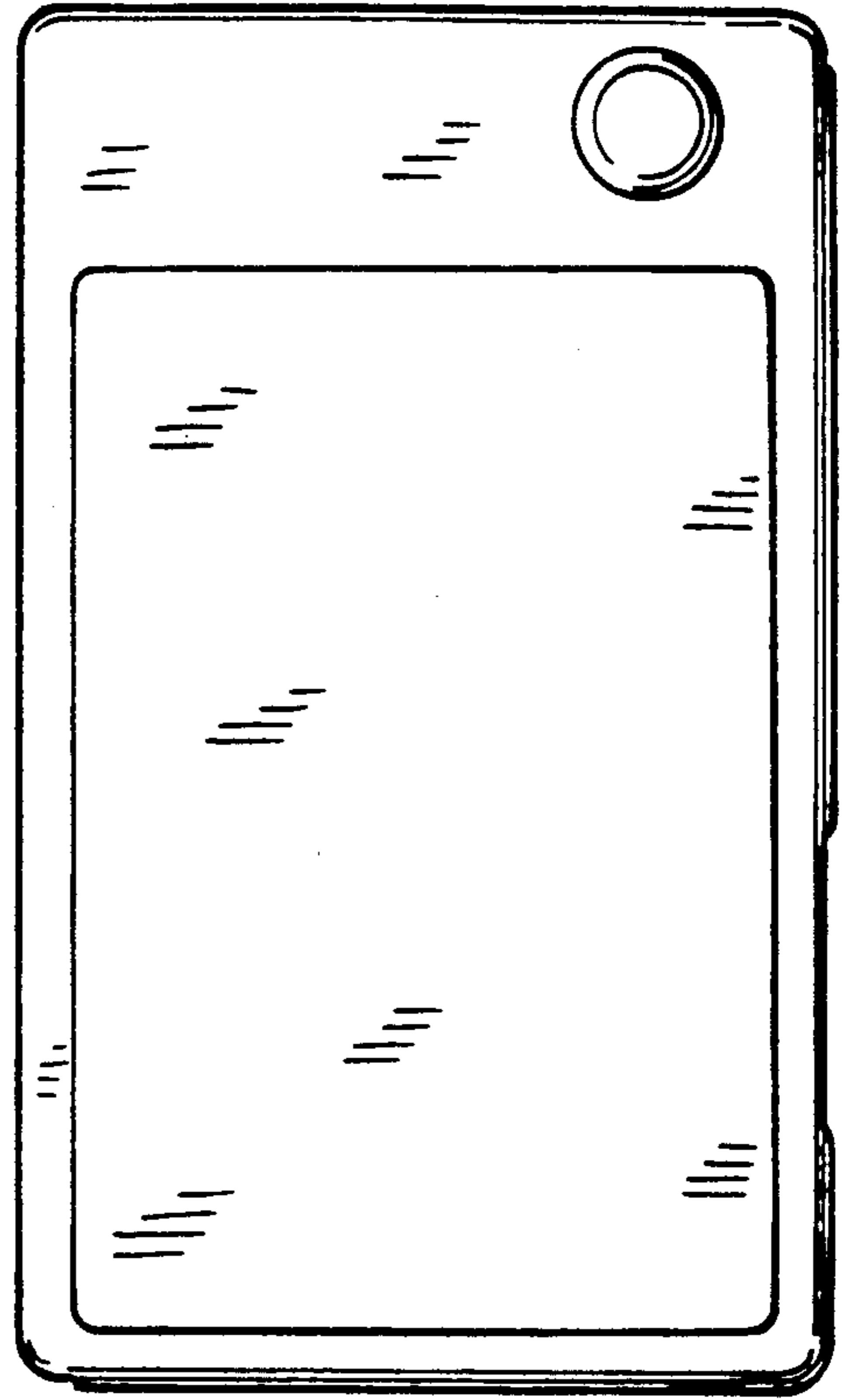


FIG. 4

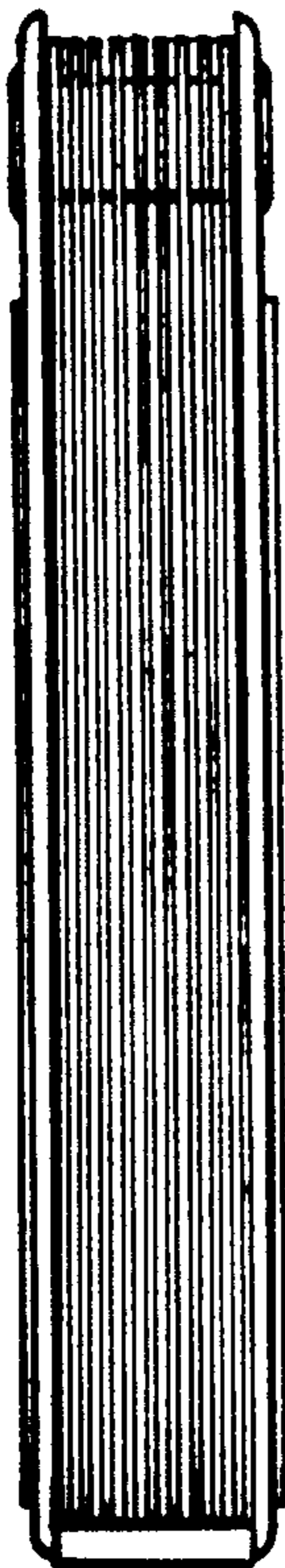


FIG. 5



FIG. 6

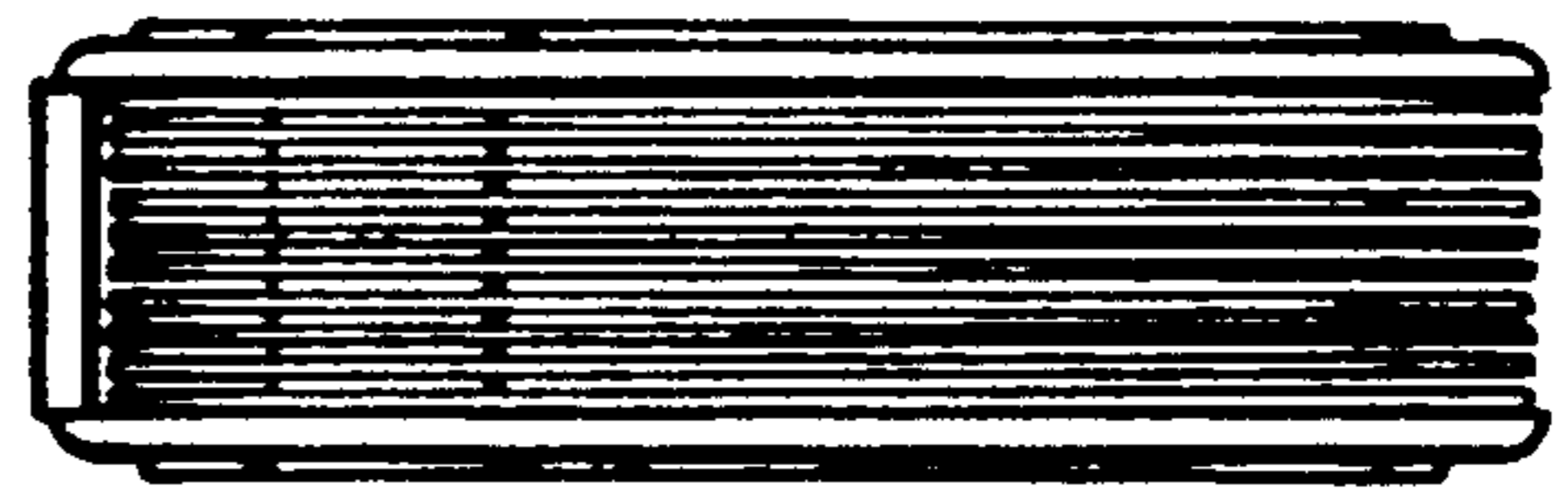


FIG. 7

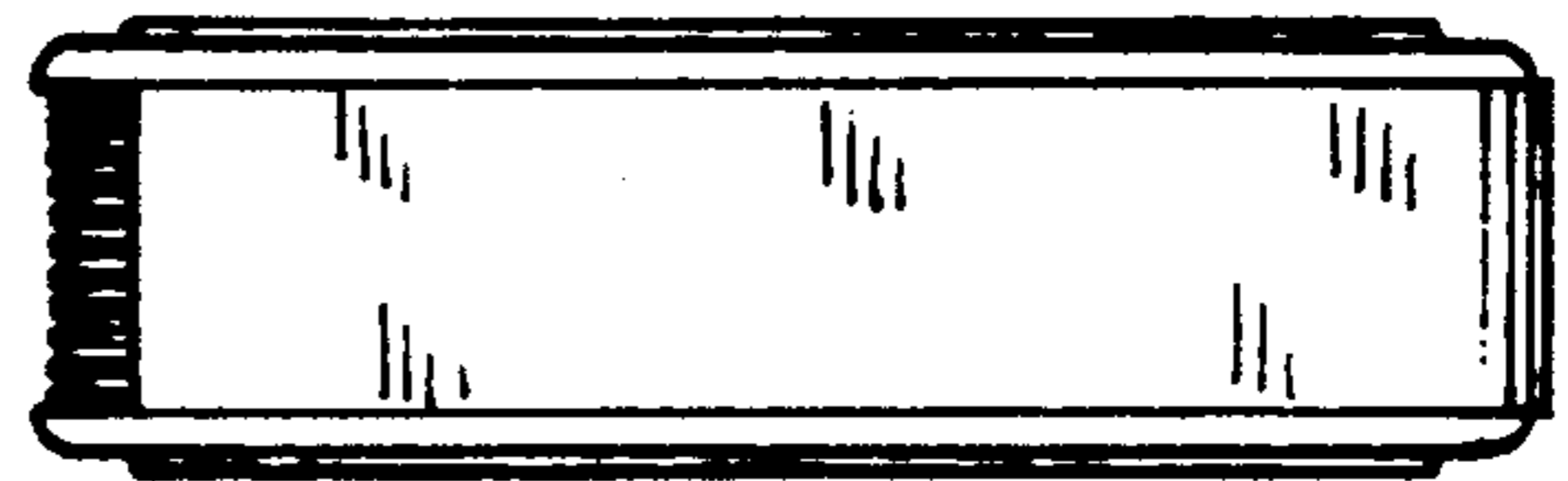


FIG. 8

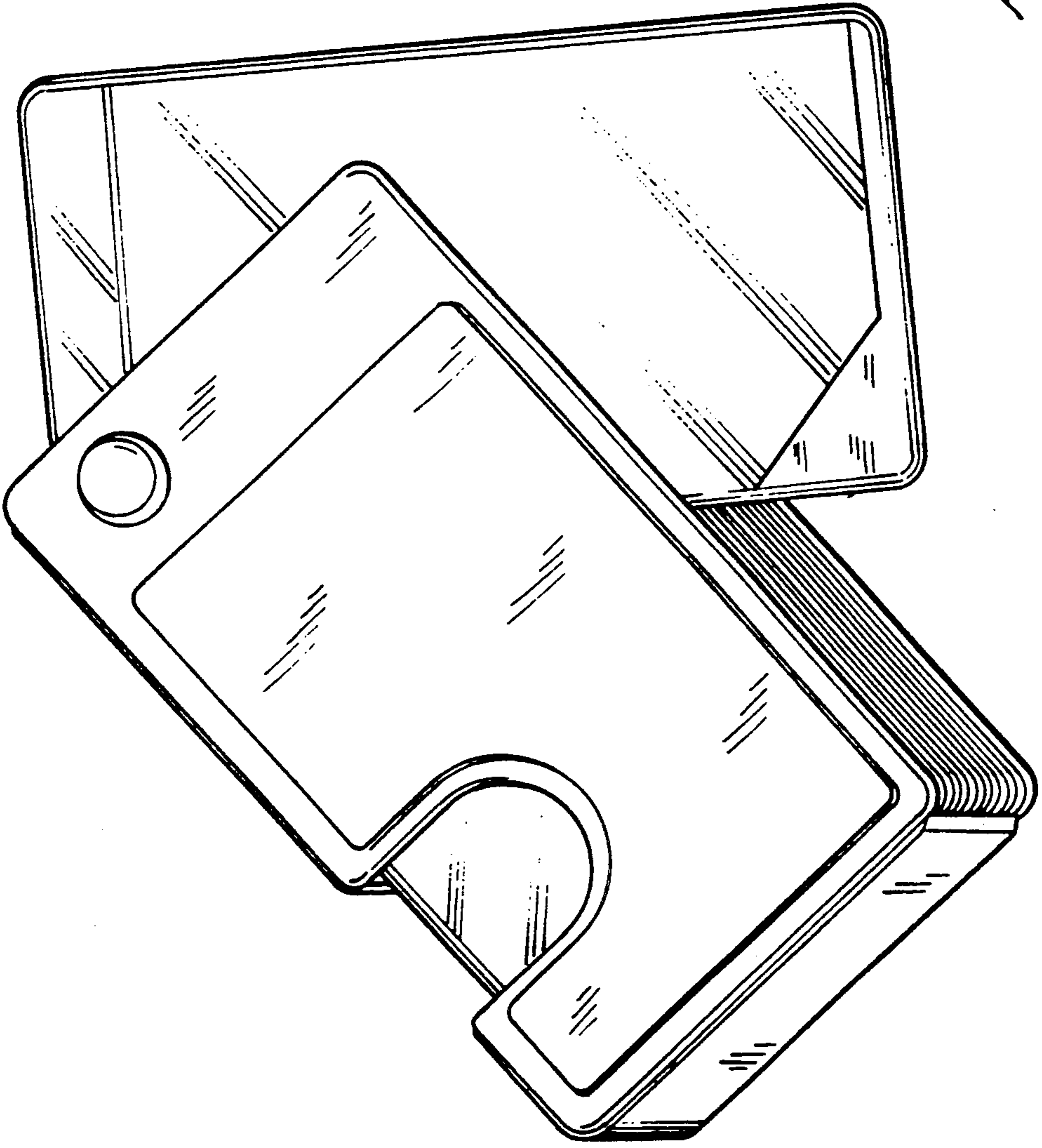


FIG. 9