



US00D324292S

United States Patent [19]

[11] Patent Number: **Des. 324,292**

Parrish

[45] Date of Patent: **** Mar. 3, 1992**

[54] **POLE CLIMBER**

2,807,400	9/1957	Rolfsmeyer	182/134
3,724,593	4/1973	O'Keefe	182/134
4,938,313	7/1990	Rullo et al.	182/134 X

[76] Inventor: **Barten L. Parrish**, 231 N. 2nd W., Rigby, Id. 83442

Primary Examiner—Louis S. Zarfes
Attorney, Agent, or Firm—Leon Gilden

[**] Term: **14 Years**

[57] **CLAIM**

[21] Appl. No.: **377,305**

The ornamental design for a pole climber, as shown and described.

[22] Filed: **Jul. 10, 1989**

[52] U.S. Cl. **D2/314; D2/317**

[58] Field of Search **D2/264, 265, 311, 314, D2/317, 271; 36/113; 182/134, 221**

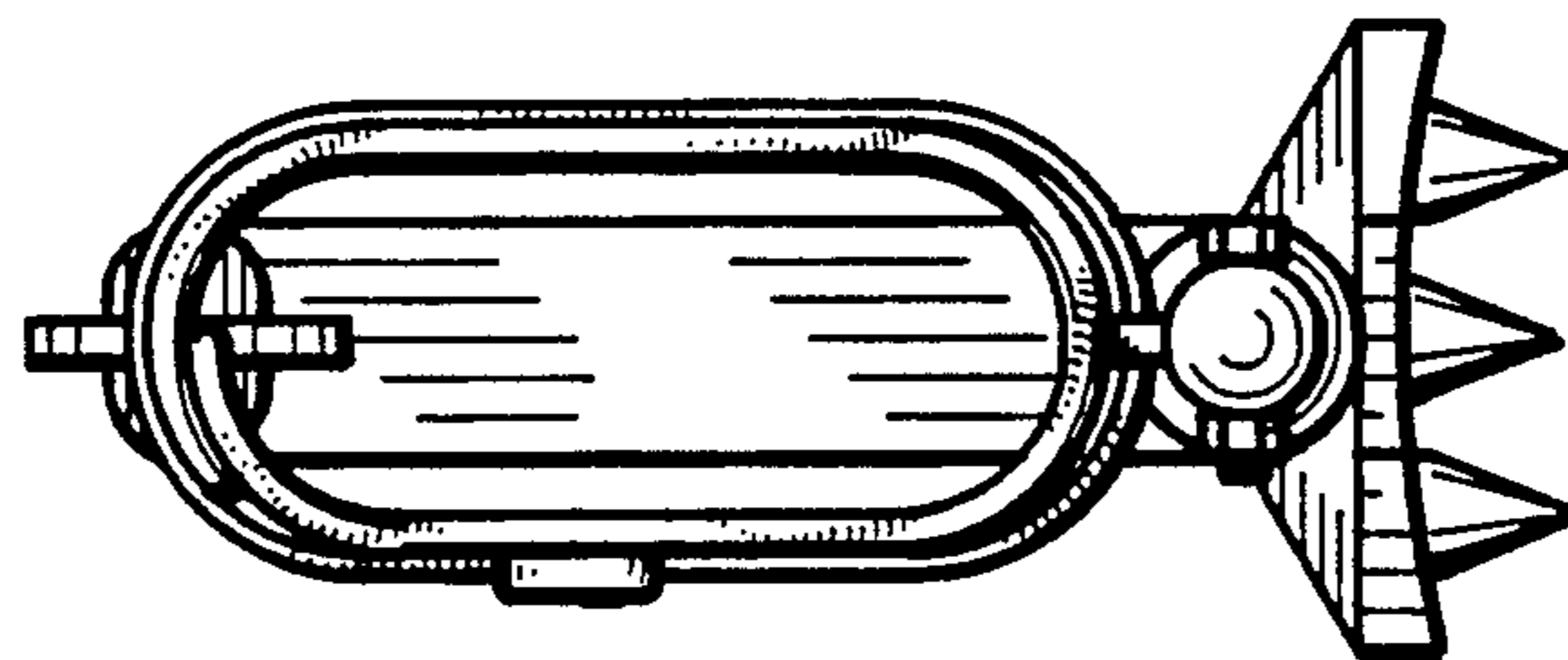
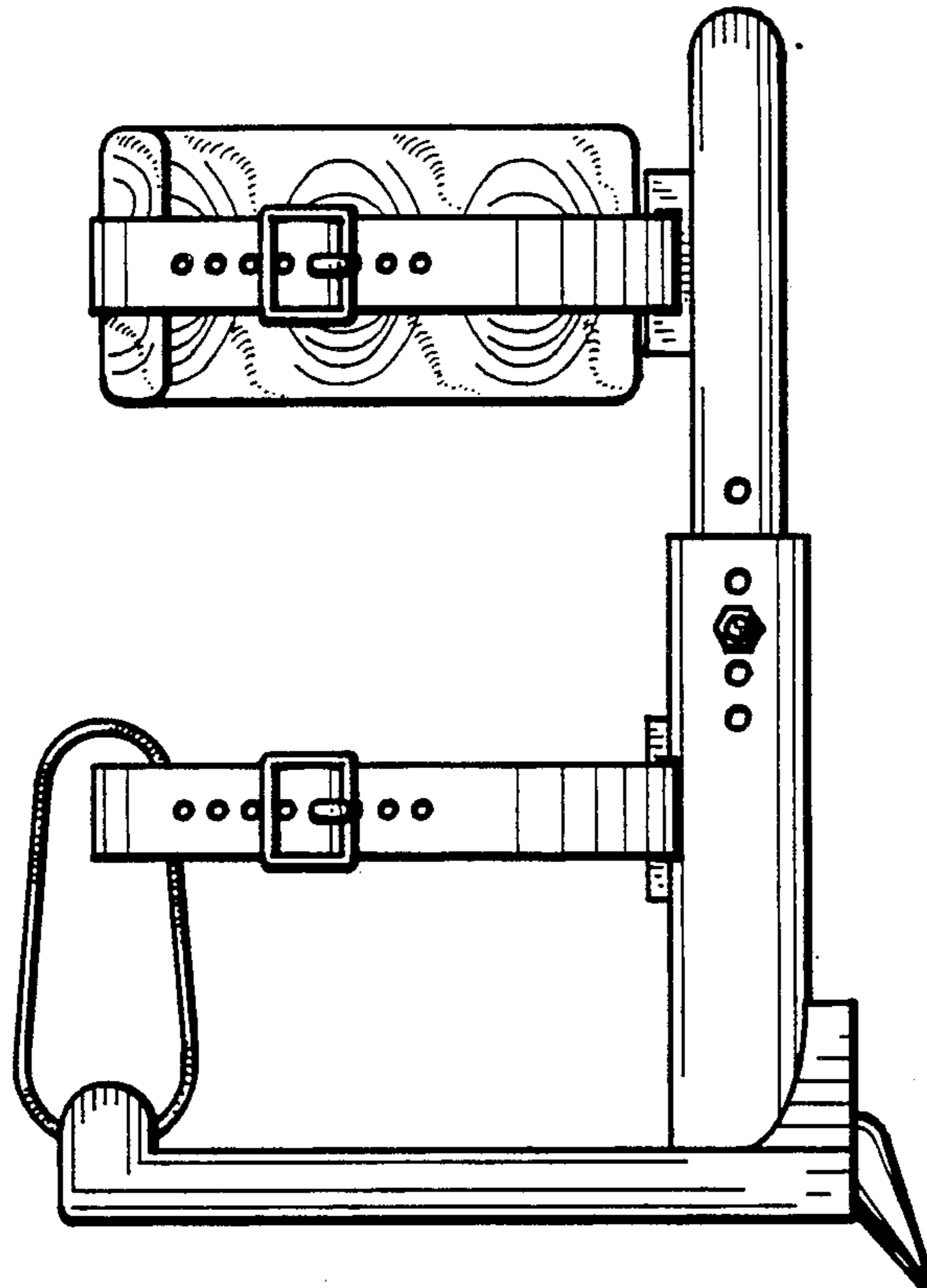
DESCRIPTION

[56] **References Cited**

U.S. PATENT DOCUMENTS

D. 228,426	4/1973	Price et al.	D2/317
2,392,538	1/1946	Knudsen	182/134
2,484,181	10/1949	Munger et al.	182/221

FIG. 1 is a front elevational view of a pole climber showing my new design;
FIG. 2 is a rear elevational view thereof;
FIG. 3 is a left side elevational view thereof;
FIG. 4 is a right side elevational view thereof;
FIG. 5 is a top plan view thereof; and
FIG. 6 is a bottom plan view thereof.



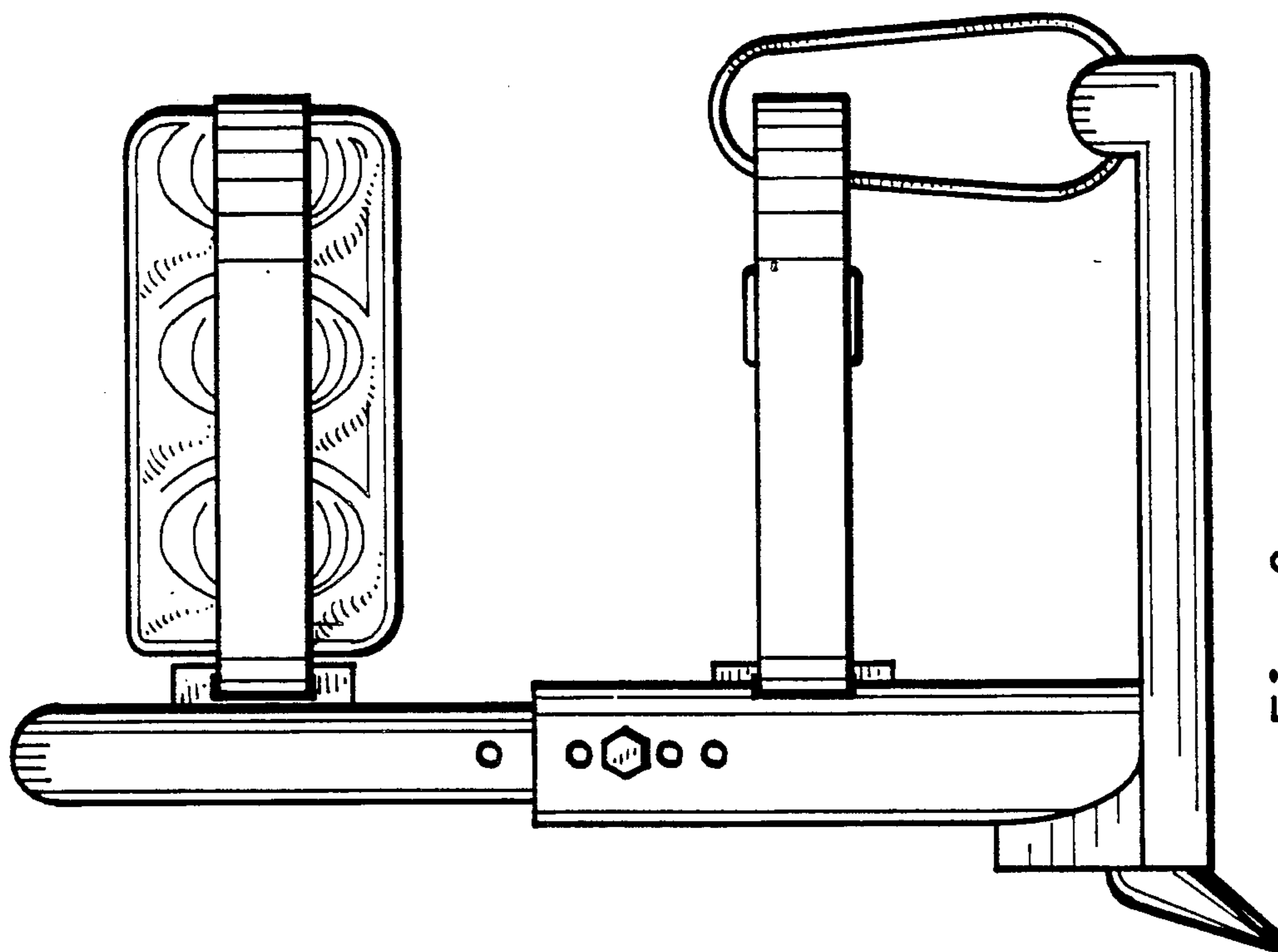


Fig. 2

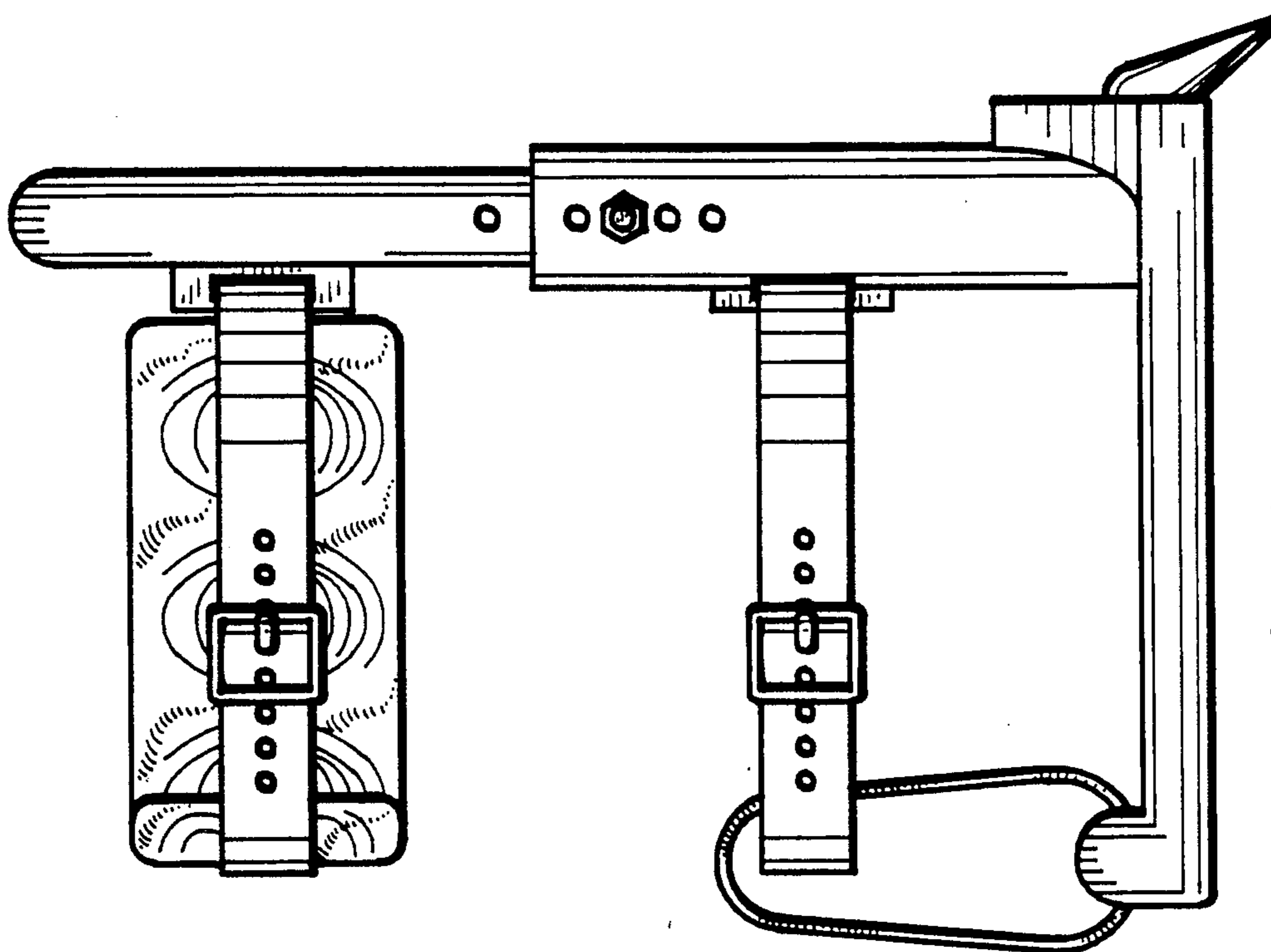


Fig. 1

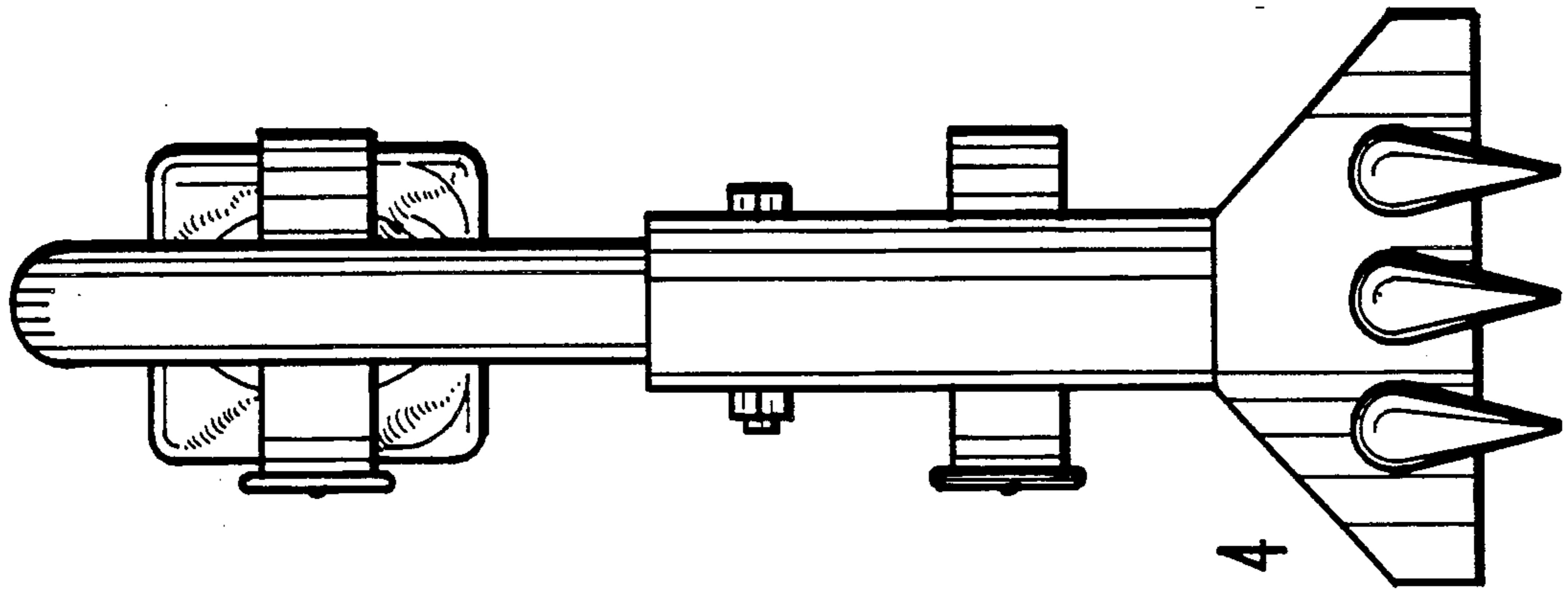


Fig. 4

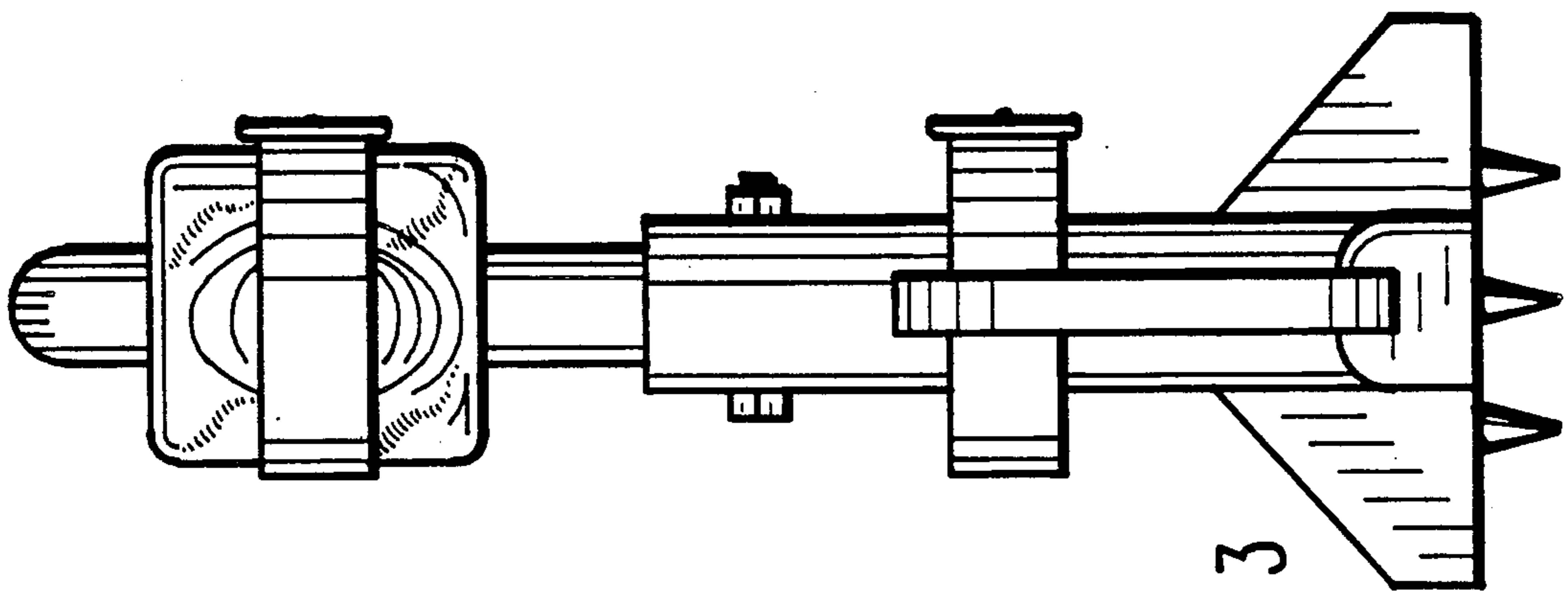


Fig. 3

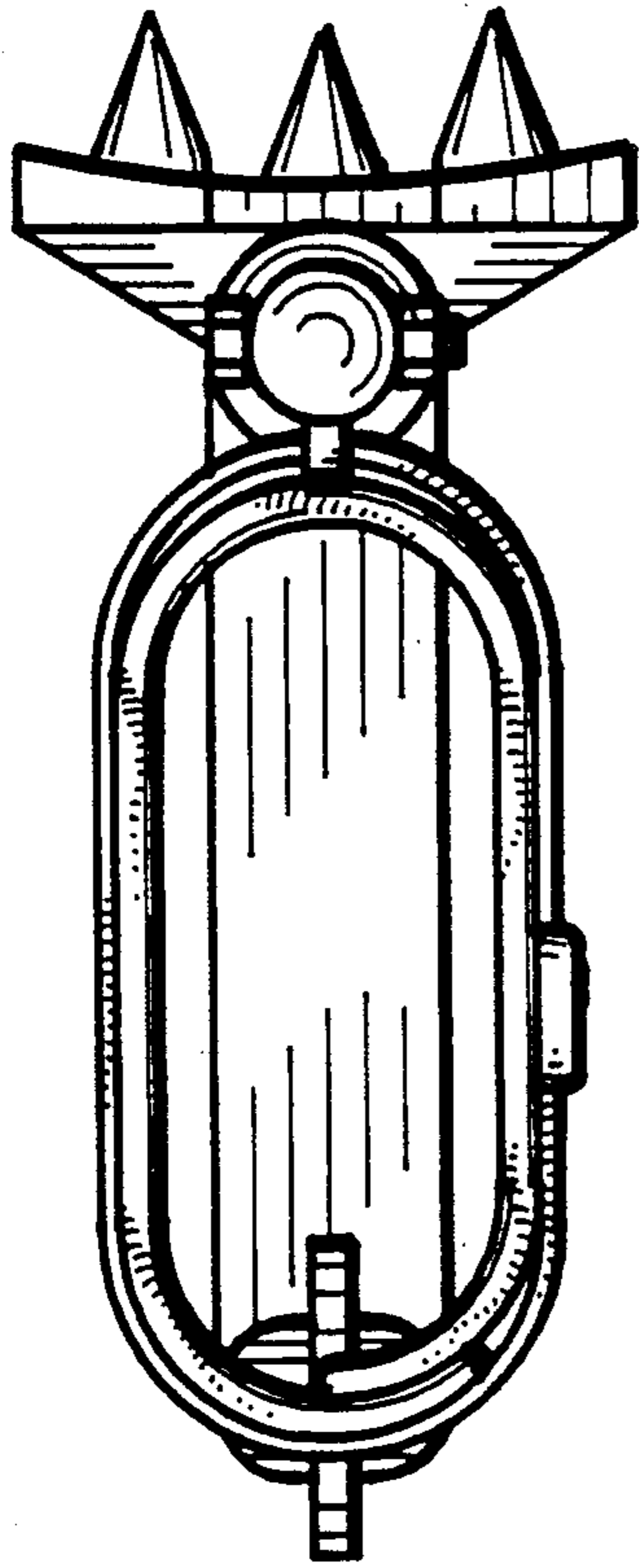


Fig. 5

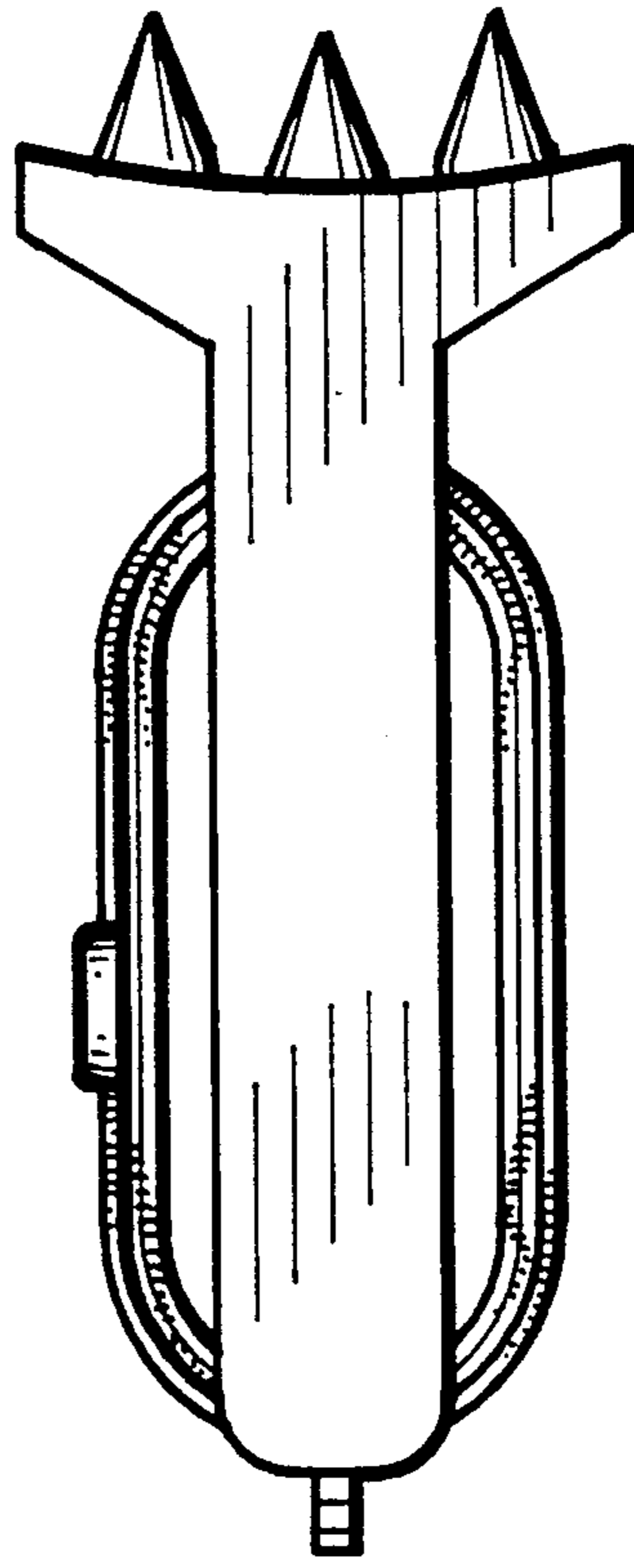


Fig. 6