



US00D324286S

United States Patent [19]

[11] Patent Number: **Des. 324,286**

Nudd

[45] Date of Patent: **** Feb. 25, 1992**

[54] **DESIGN FOR A MOUNTING BRACKET FOR A TRAILER JACK**

[75] Inventor: **Barry C. Nudd, Rockford, Ill.**

[73] Assignee: **Atwood Industries, Inc., Rockford, Ill.**

[**] Term: **14 Years**

[21] Appl. No.: **539,474**

[22] Filed: **Jun. 18, 1990**

[52] U.S. Cl. **D34/31**

[58] Field of Search **D34/31, 35; D8/373; 248/122, 124, 125, 218.4, 352, 511, 539; 280/477, 763.1; 254/45**

[56] **References Cited**

U.S. PATENT DOCUMENTS

- D. 143,168 12/1945 Rockwell D34/31
- 4,415,182 11/1983 Smith-Williams et al. 280/763.1
- 5,009,444 4/1991 Williams, Jr. 280/477

OTHER PUBLICATIONS

Ausco Catalog, 1958, p. 2, lifting mechanism, circled item in center of page.

Cover page and p. 6 of a catalog published by Shelby Industries, Inc., Shelbyville, Ky. 40065; publication data unknown.

One-page flyer published by Wesbar Corporation, West Bend, Wisc. 53095; publication data unknown.

Six-page brochure published by Fulton Manufacturing Corporation; publication data unknown.

Four-page brochure published by The Hammer Blow Corporation, Wausau, Wisc. 54401 and entitled *Bulldog Boat Trailer Jacks*; publication date unknown.

Cover page and p. 11 of a catalog published by Dutton-Lainson Company, Hastings, Neb. 68901 and entitled *DL Marine Products*; published 1988.

Primary Examiner—James M. Gandy

Assistant Examiner—H. Baynham

Attorney, Agent, or Firm—Leydig, Voit & Mayer

[57] **CLAIM**

The ornamental design for a mounting bracket for a trailer jack, as shown and described.

DESCRIPTION

FIG. 1 is a front elevational view of a design for a mounting bracket for a trailer jack showing my new design;

FIG. 2 is a perspective view thereof;

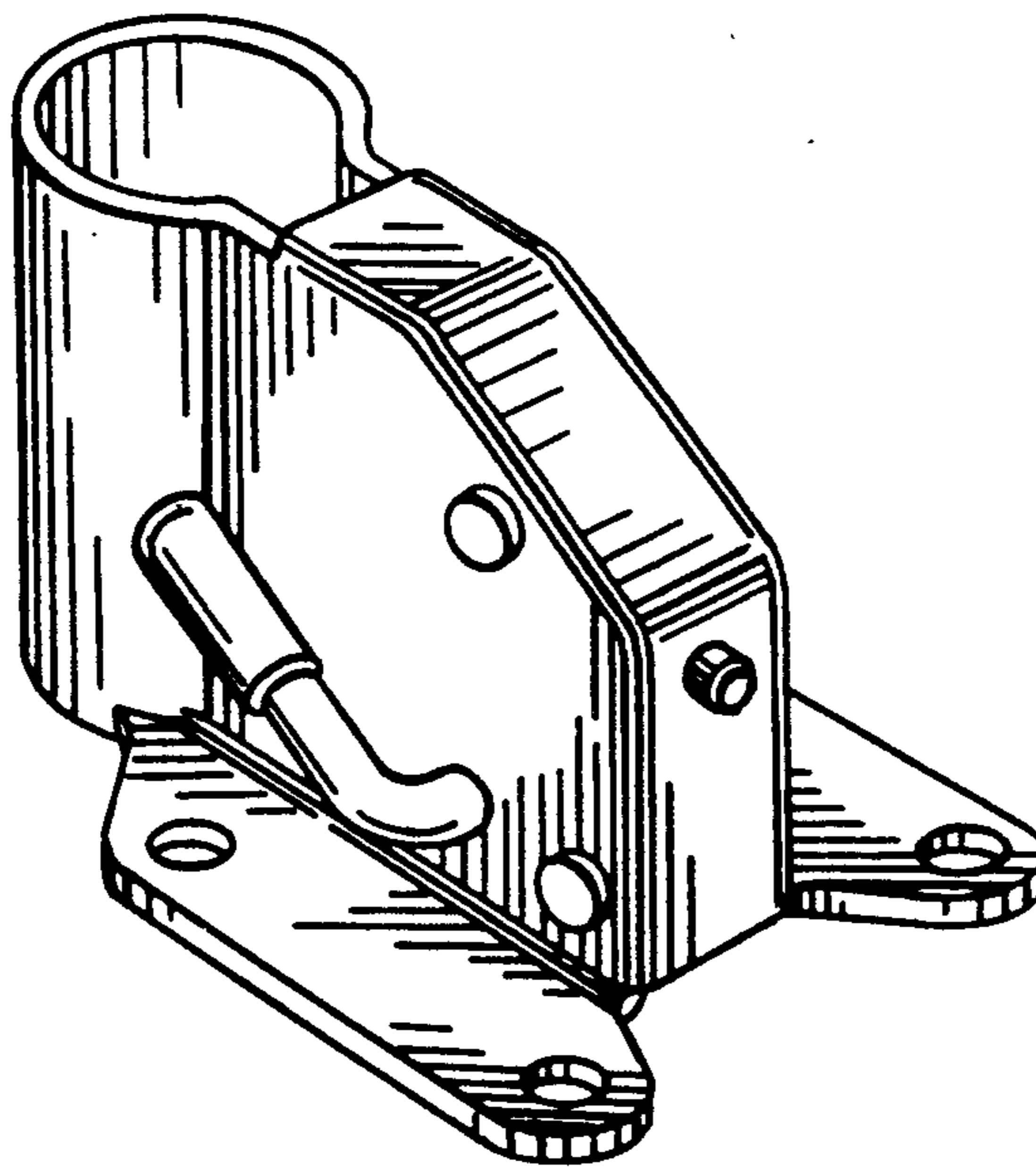
FIG. 3 is a top plan view thereof;

FIG. 4 is a left side elevational view thereof;

FIG. 5 is a right side elevational view thereof; and

FIG. 6 is a rear elevational view thereof.

The broken line showing of a trailer jack is for illustrative purposes only and forms no part of the claimed design.



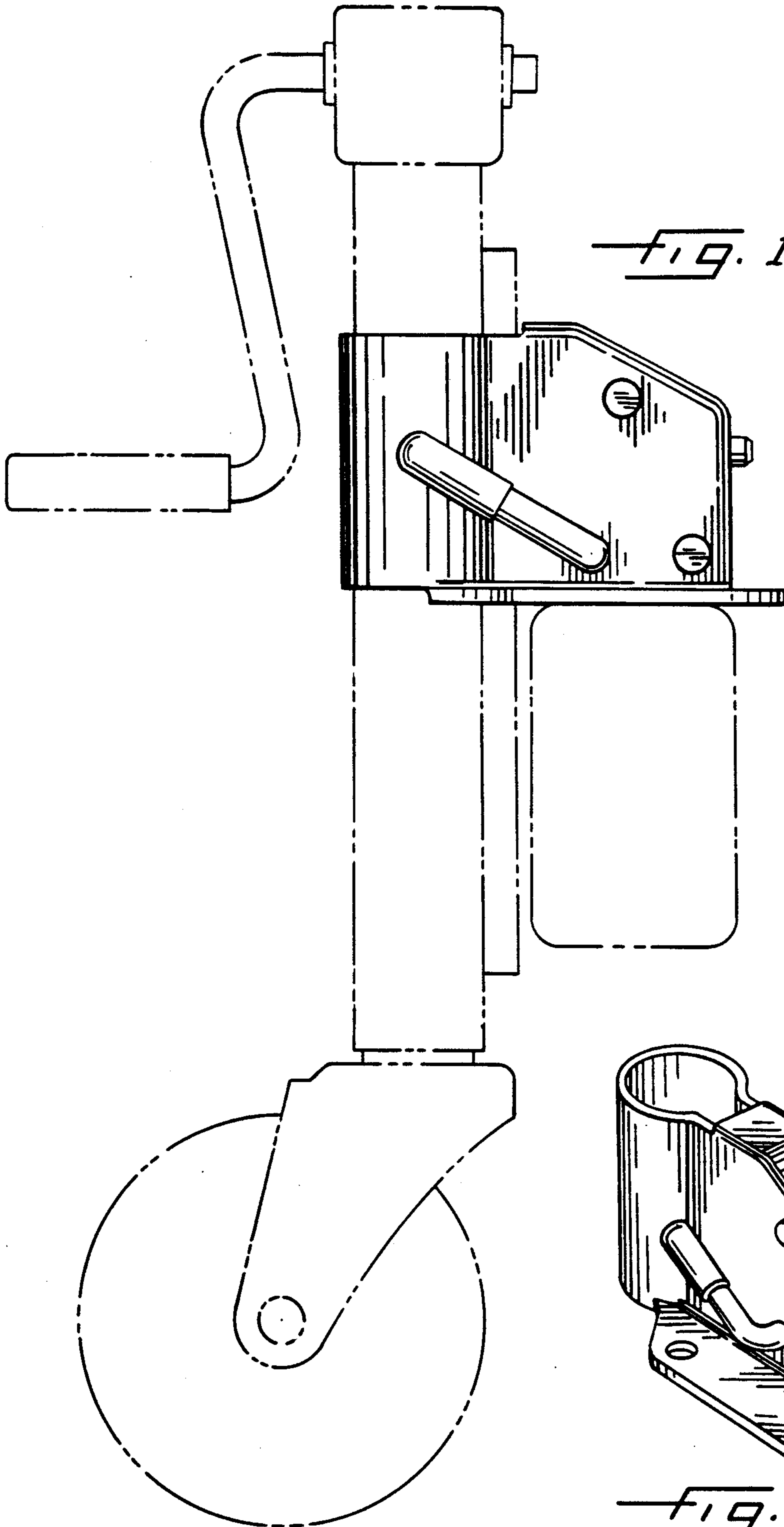


FIG. 1.

FIG. 2.

FIG. 3.

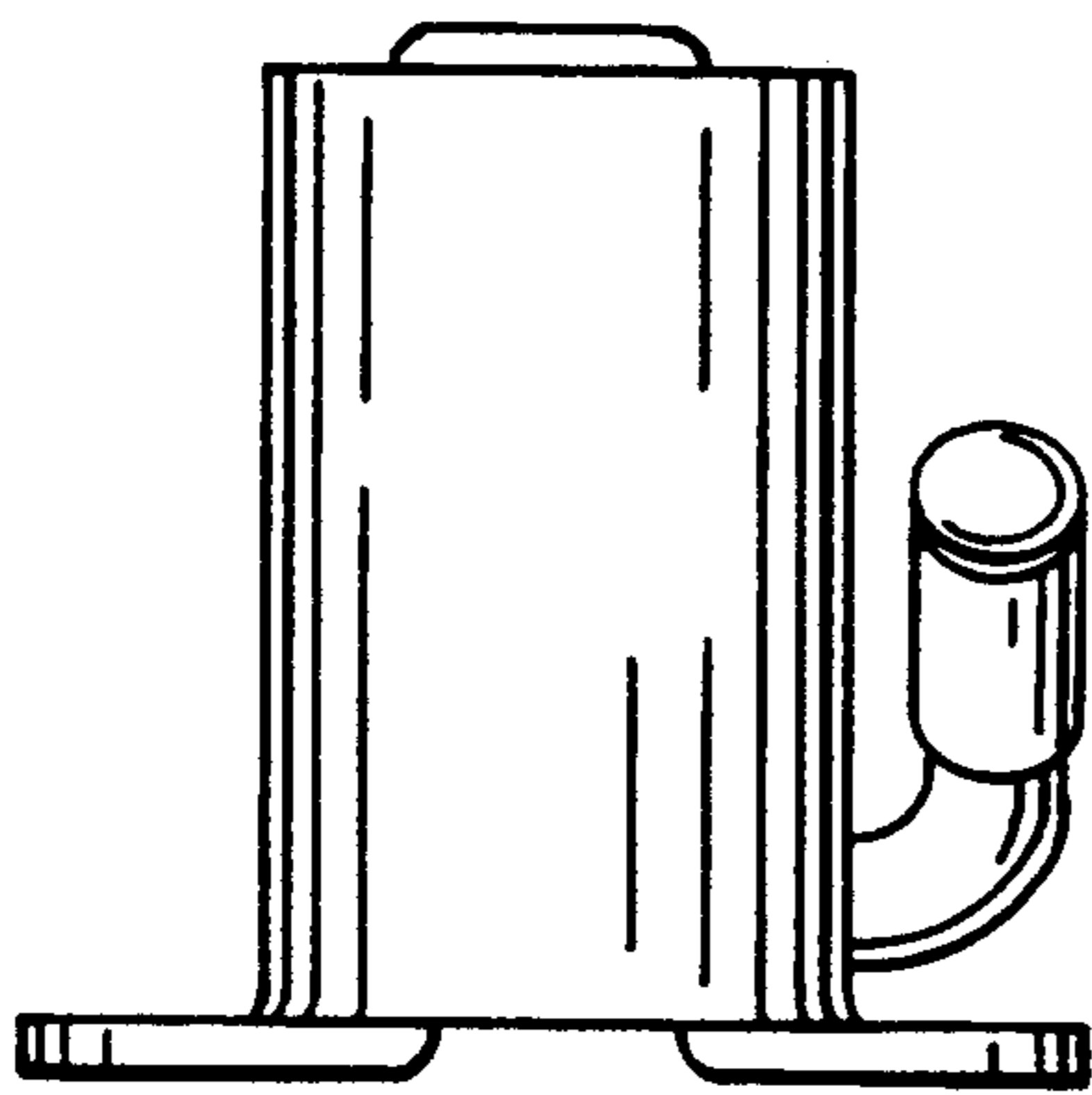
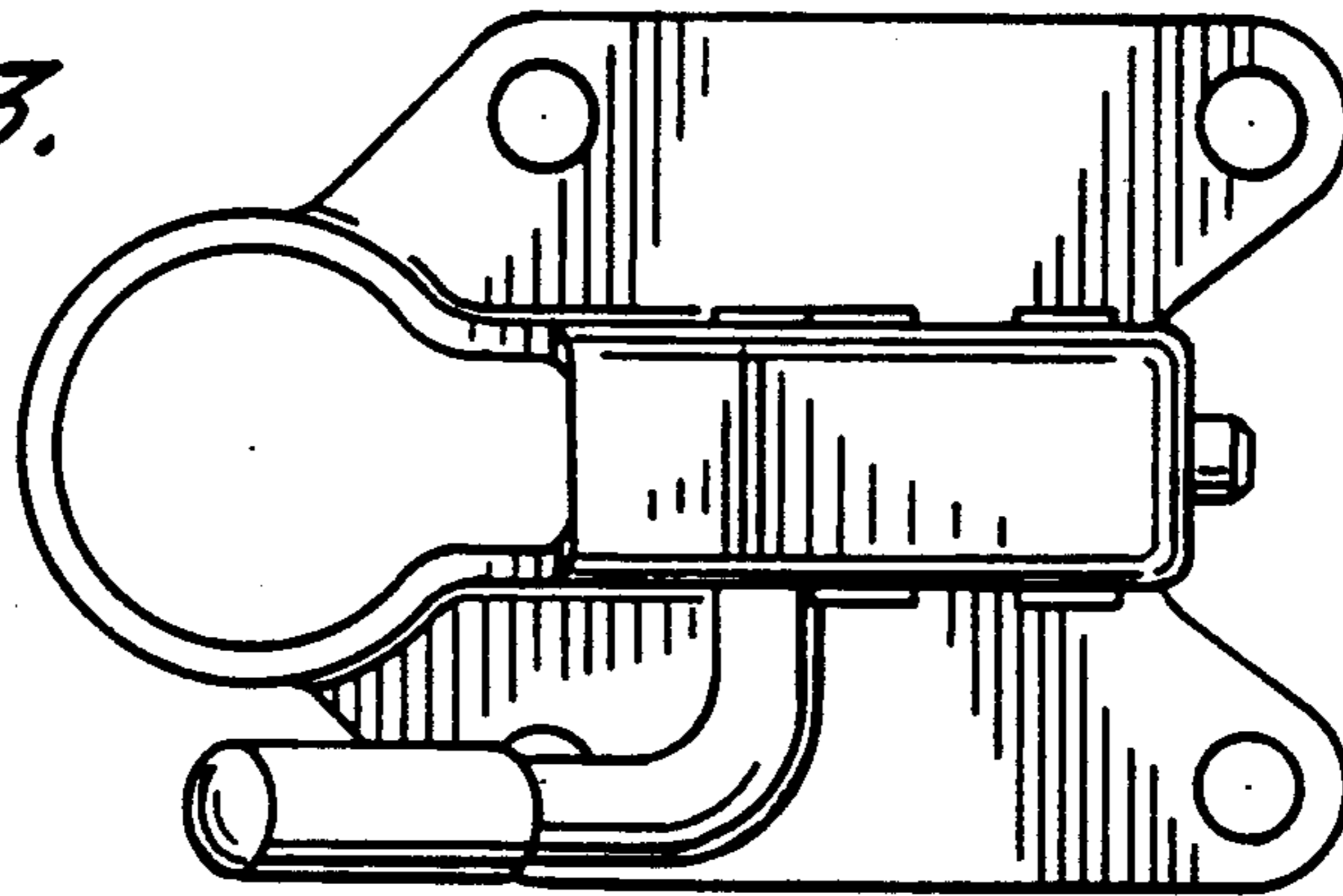


FIG. 4.

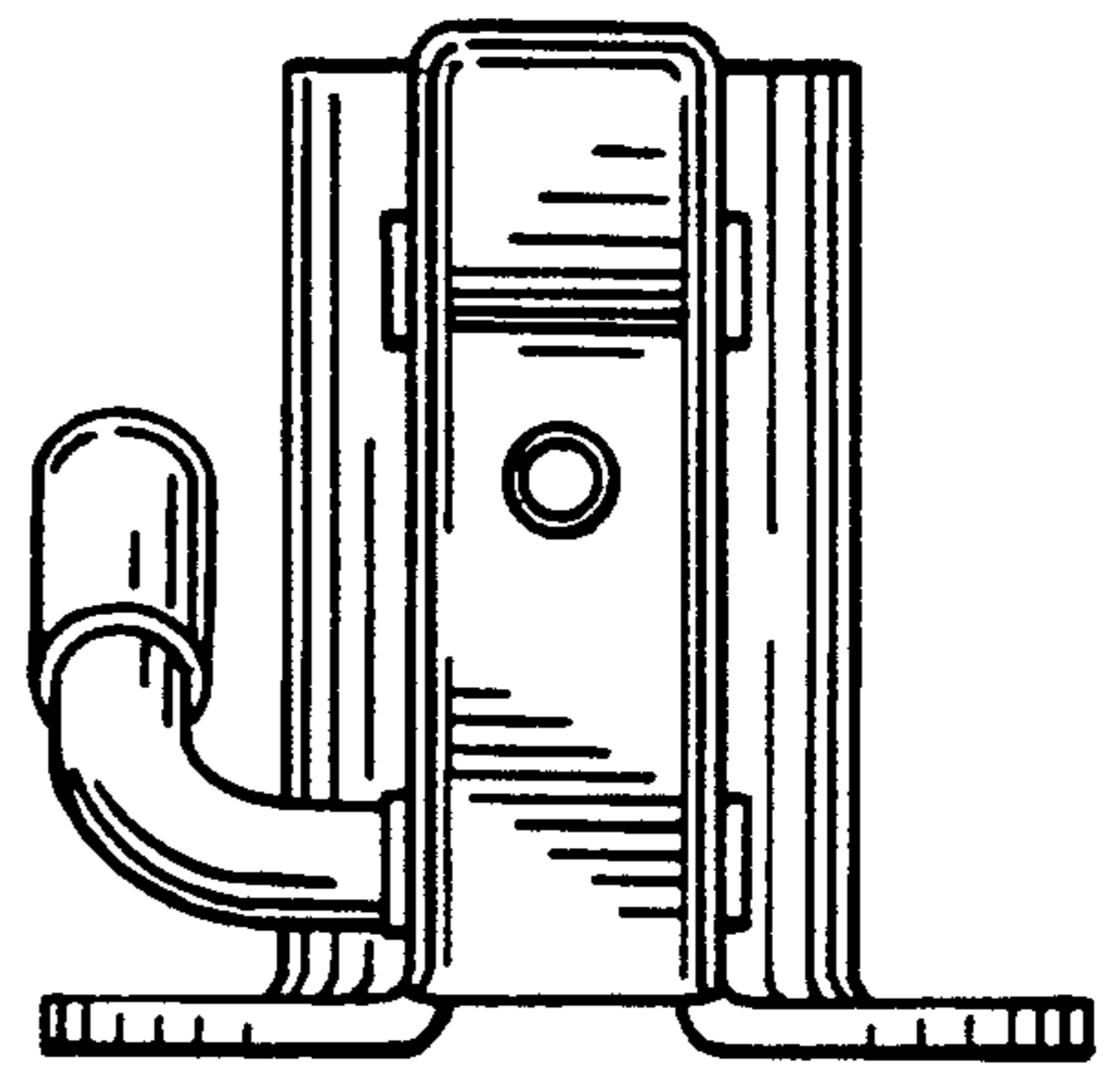


FIG. 5.

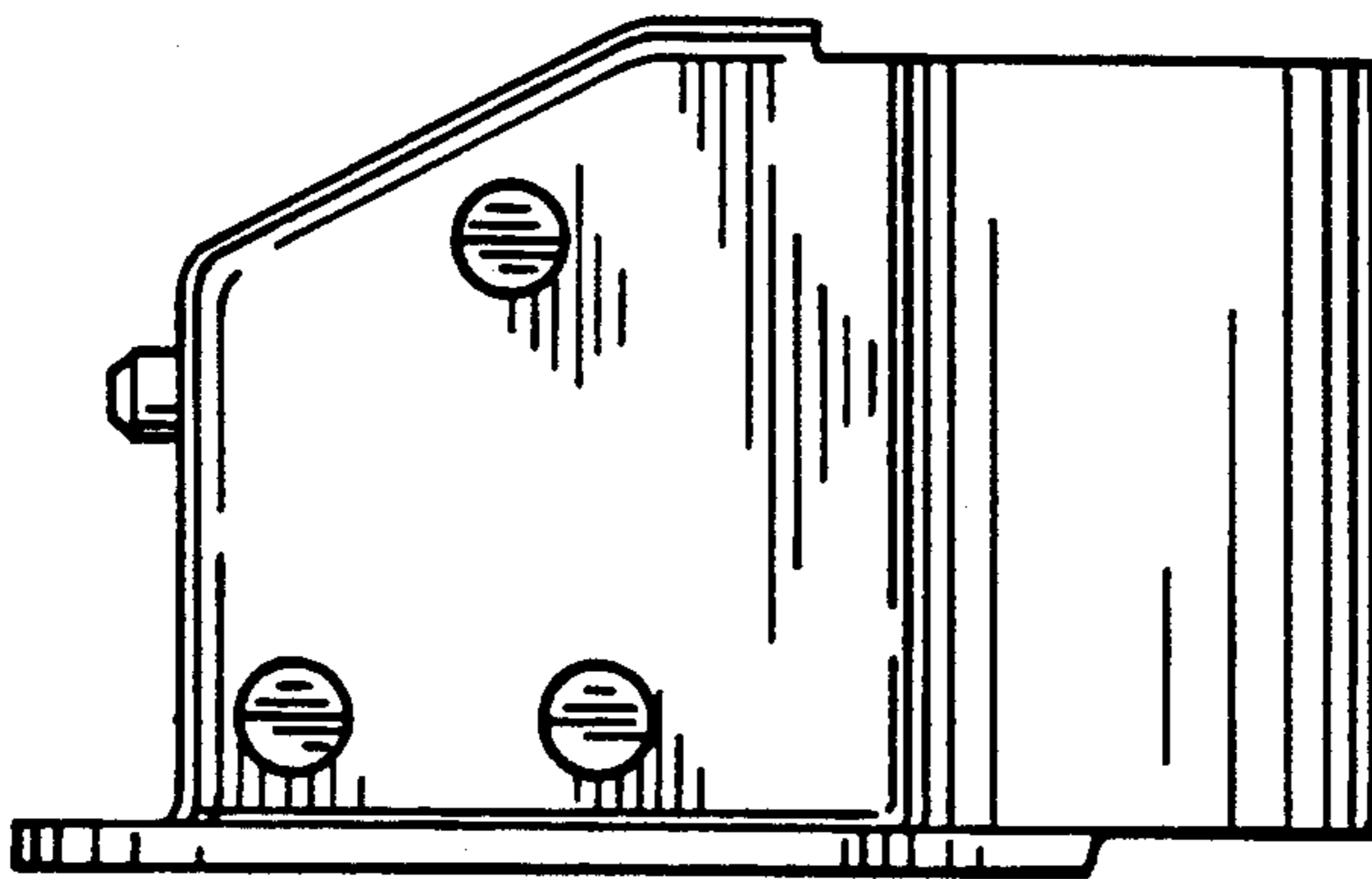


FIG. 6.