



US00D324274S

United States Patent [19]

[11] Patent Number: **Des. 324,274**

Schwamkrug et al.

[45] Date of Patent: **** Feb. 25, 1992**

[54] **ADJUSTABLE DESK LAMP**

[75] Inventors: **Christian Schwamkrug, Gries;**
Ferdinand A. Porsche, Zell am See,
both of Austria

[73] Assignee: **Porsche Design Gesellschaft m.b.h.,**
Austria

[**] Term: **14 Years**

[21] Appl. No.: **465,871**

[22] Filed: **Jan. 16, 1990**

[30] **Foreign Application Priority Data**

Sep. 19, 1989 [IT] Italy 21759/89[U]
[52] U.S. Cl. **D26/66; D26/63**
[58] Field of Search **D26/60-66;**
362/410-414, 418, 419, 428, 269, 275, 287

[56] **References Cited**

U.S. PATENT DOCUMENTS

D. 278,461	4/1985	Pepall	D26/65 X
D. 303,848	10/1989	Bianchi	D26/65
2,543,926	3/1951	Mounique	362/413 X
3,652,848	3/1972	Miller et al.	362/410 X
4,706,172	11/1987	Lebowitz	362/413 X

Primary Examiner—Susan J. Lucas
Attorney, Agent, or Firm—Lerner, David, Littenberg,
Krumholz & Mentlik

[57] **CLAIM**

The ornamental design for a adjustable desk lamp, as shown and described.

DESCRIPTION

FIG. 1 is a top, rear, right side perspective view of an adjustable desk lamp showing our new design, the lamp in the collapsed position;
FIG. 2 is a right side elevational view thereof, the left side being a mirror image;
FIG. 3 is a front elevational view thereof;
FIG. 4 is a rear elevational view thereof;
FIG. 5 is a top plan view thereof;
FIG. 6 is a bottom plan view thereof;
FIG. 7 is a top, rear, right side perspective view of the lamp in the extended position;
FIG. 8 is a right side elevational view thereof, the left side being a mirror image;
FIG. 9 is a front elevational view thereof;
FIG. 10 is a rear elevational view thereof;
FIG. 11 is a top plan view thereof; and
FIG. 12 is a bottom plan view thereof.

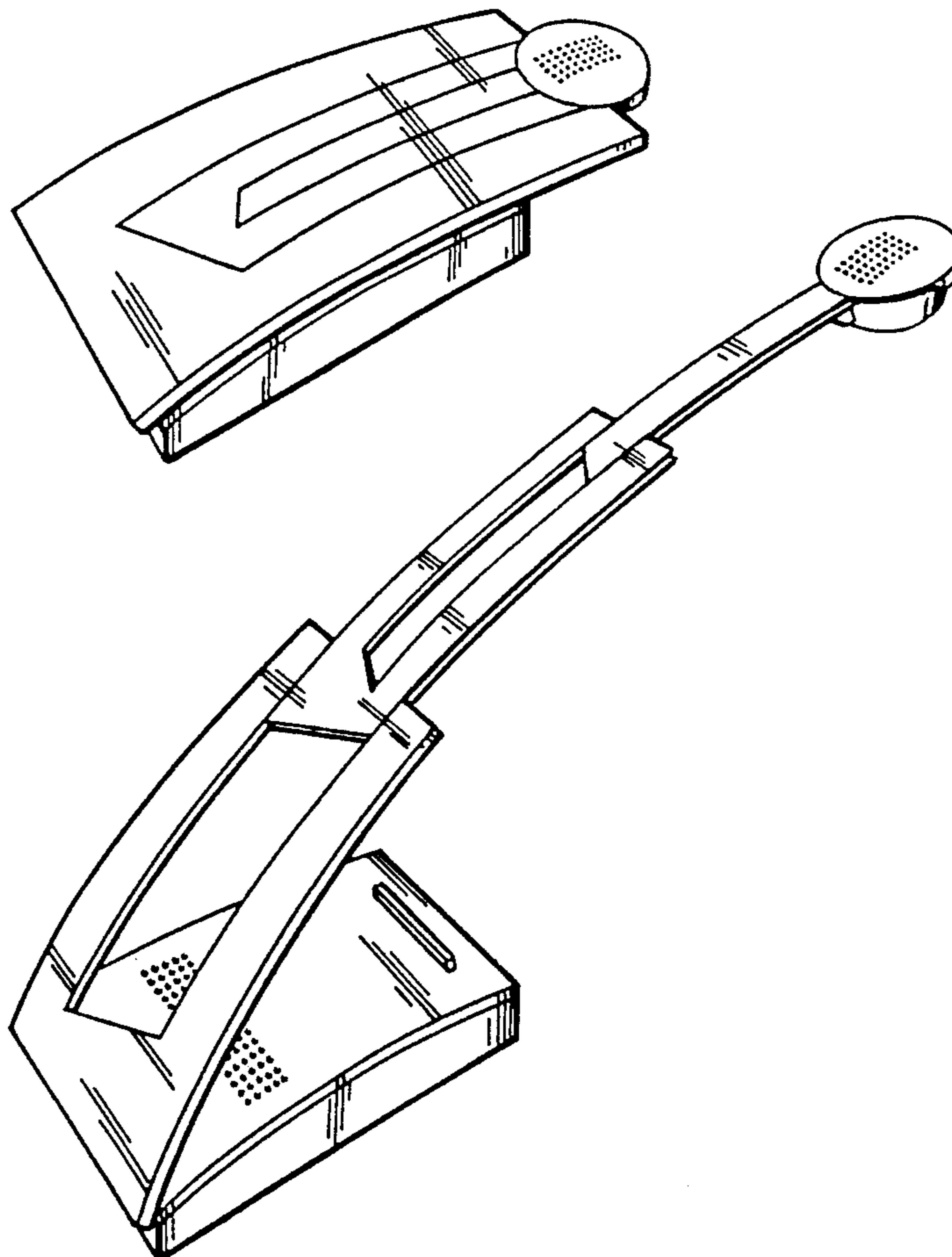


FIG.1

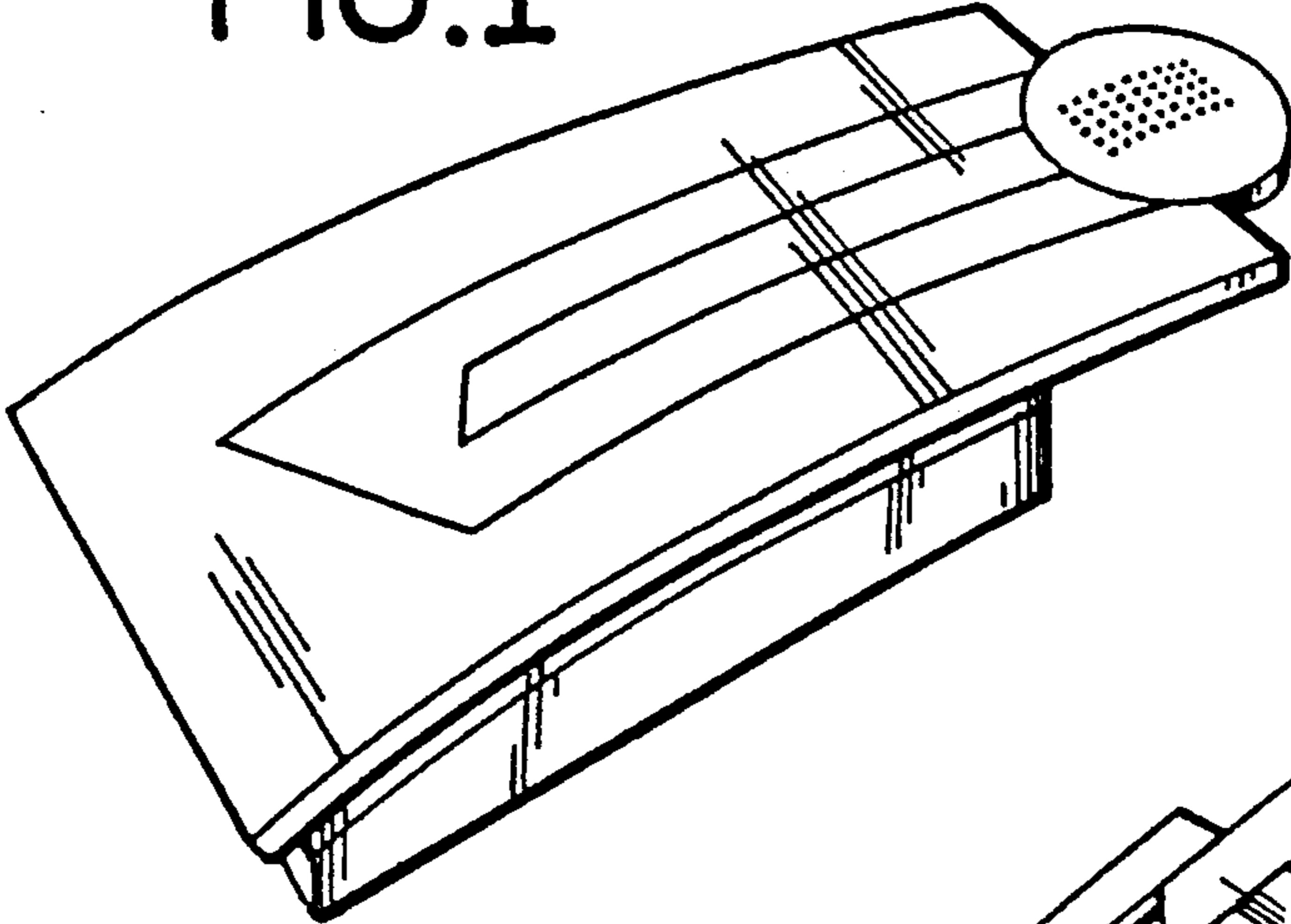


FIG.7

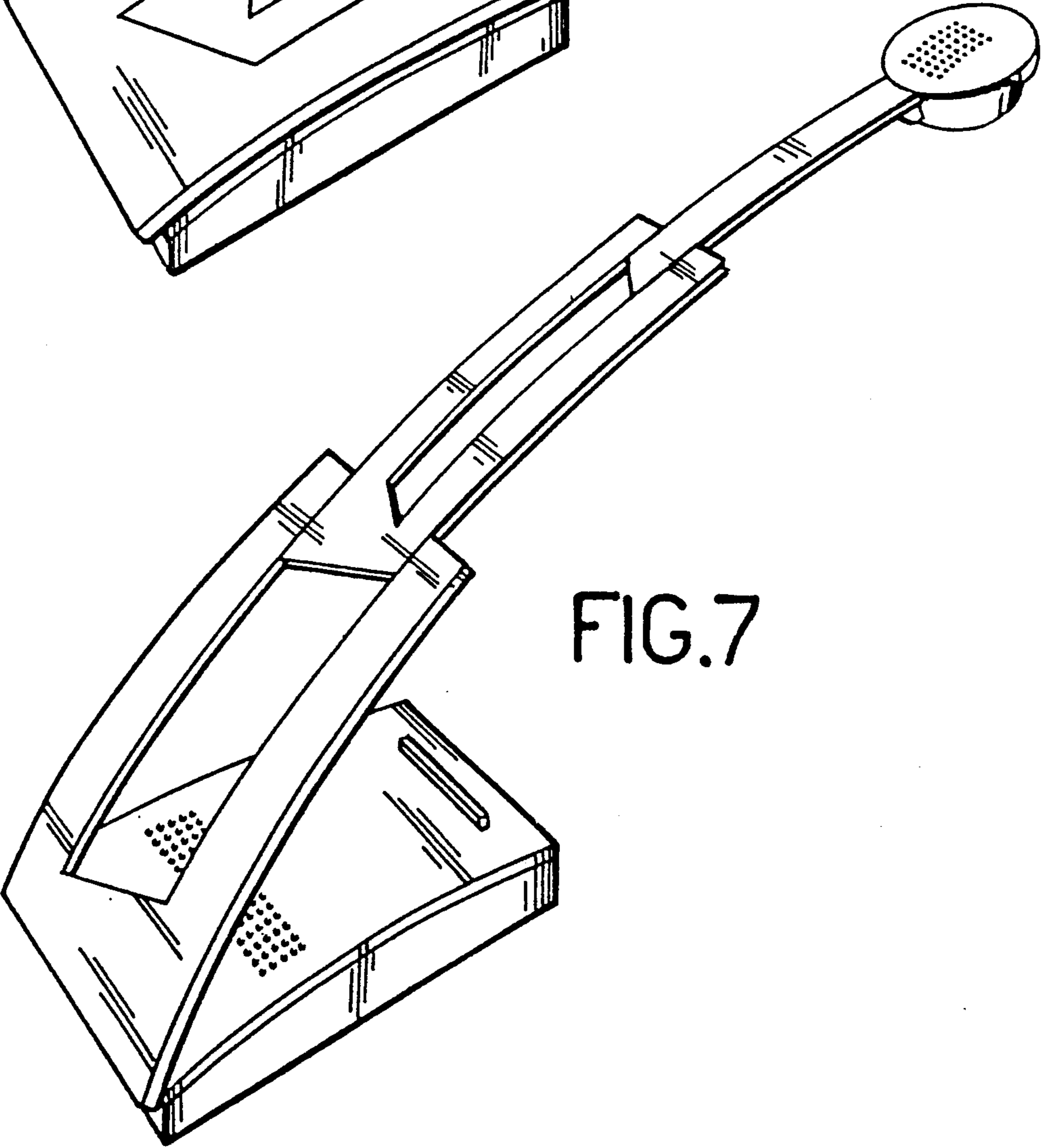


FIG. 2

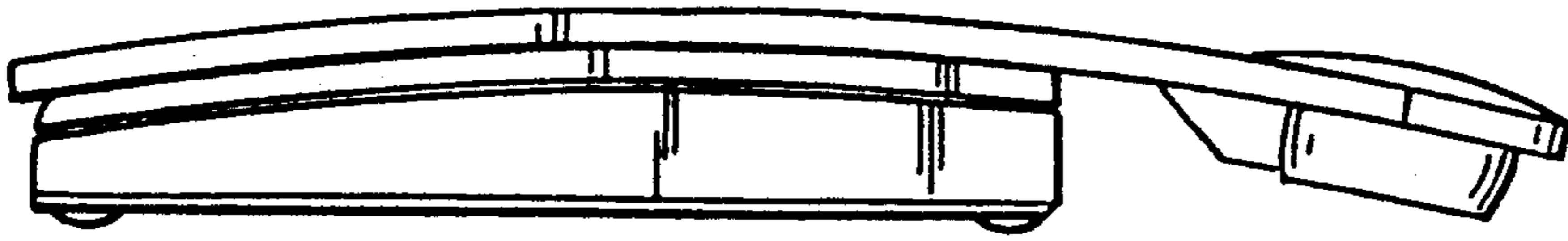


FIG. 4

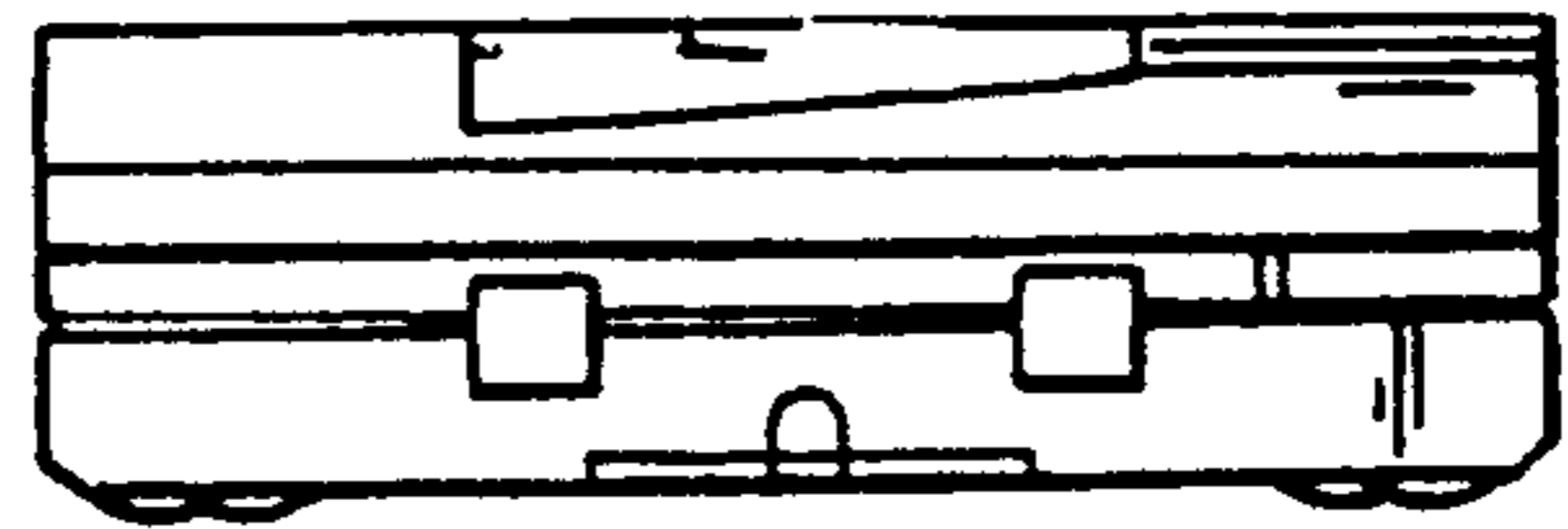


FIG. 3

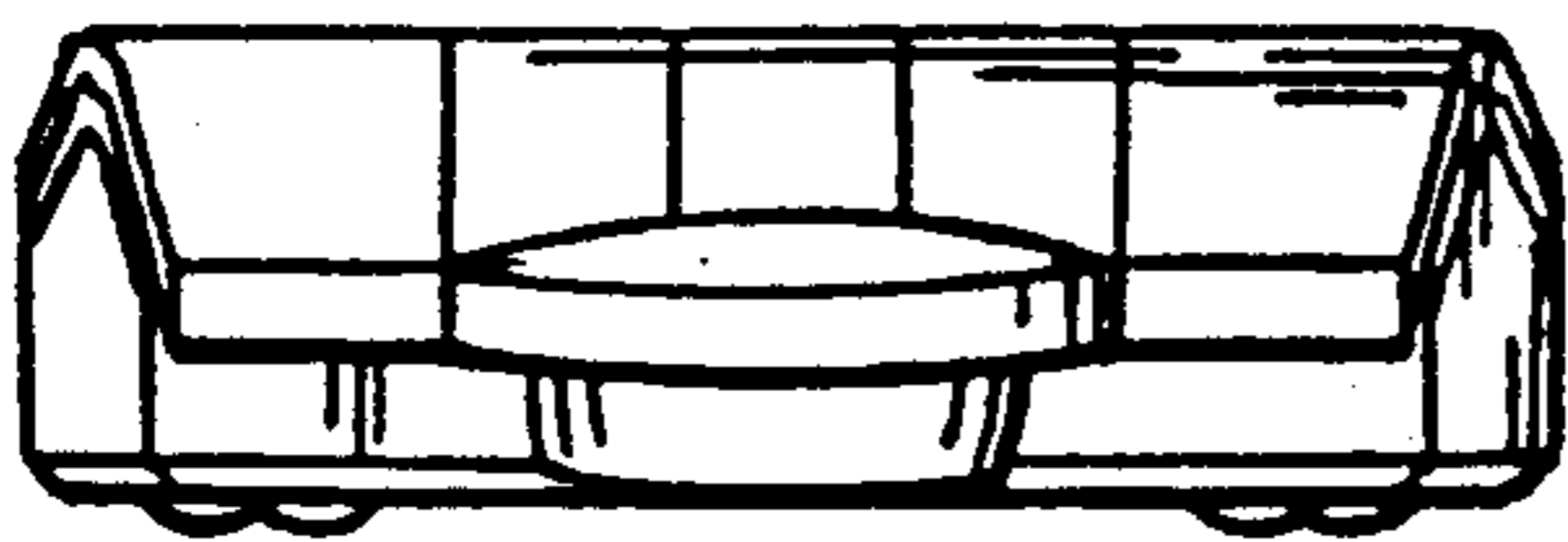


FIG. 5

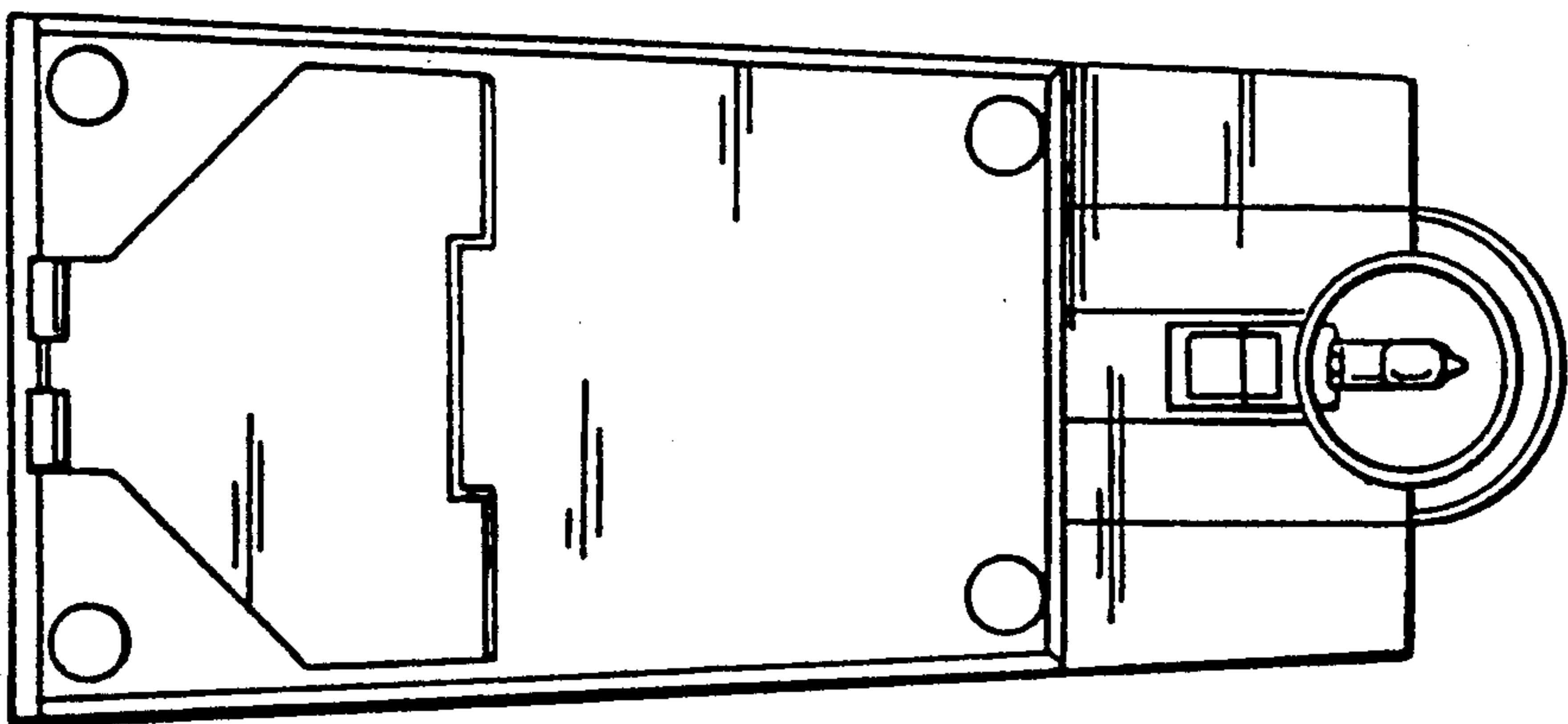
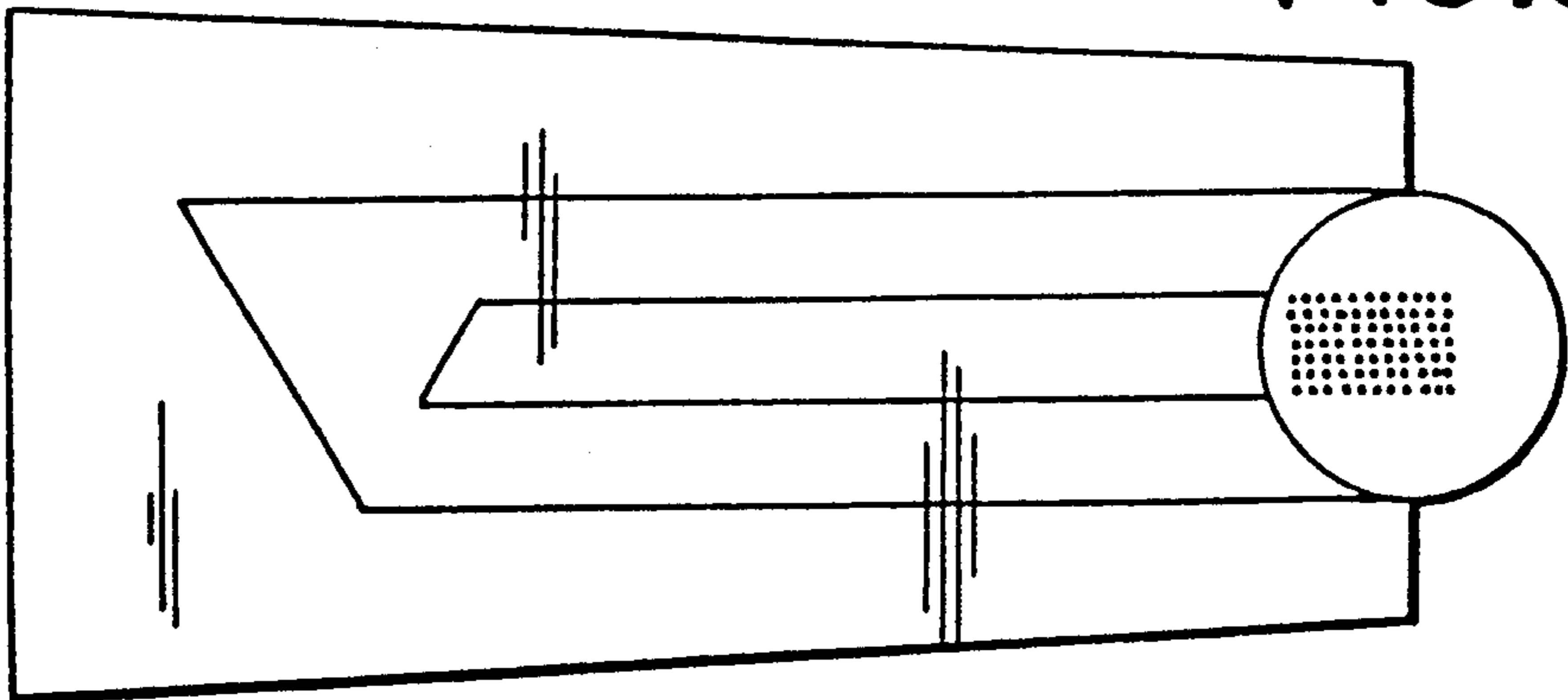


FIG. 6

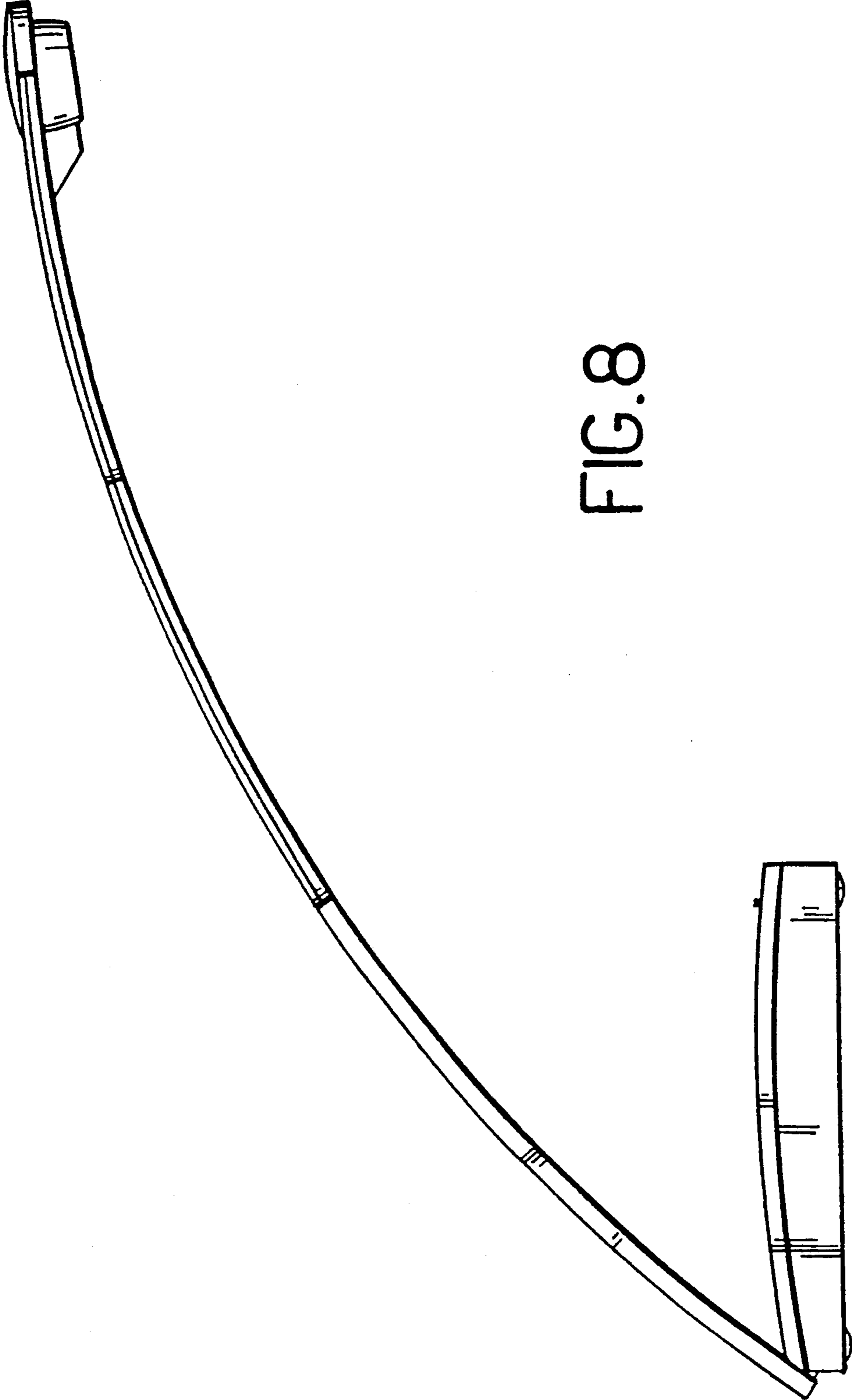


FIG. 8

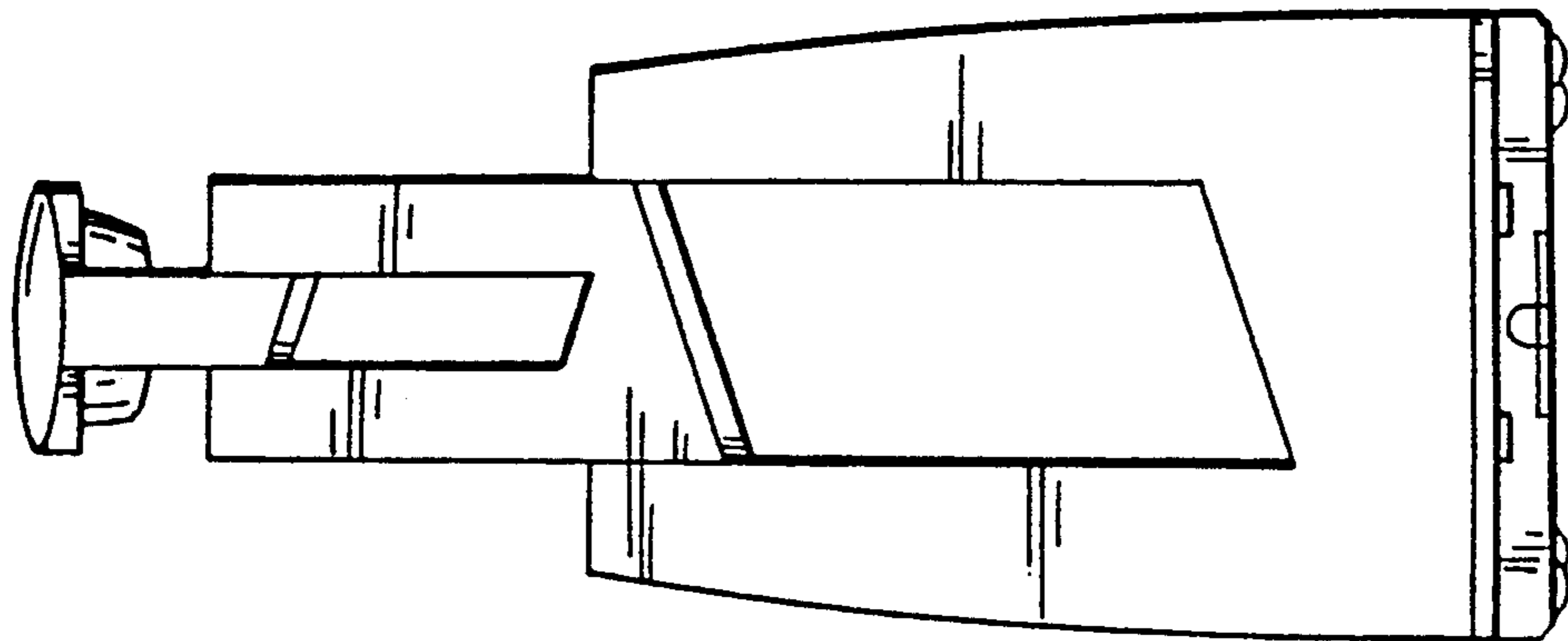


FIG.10

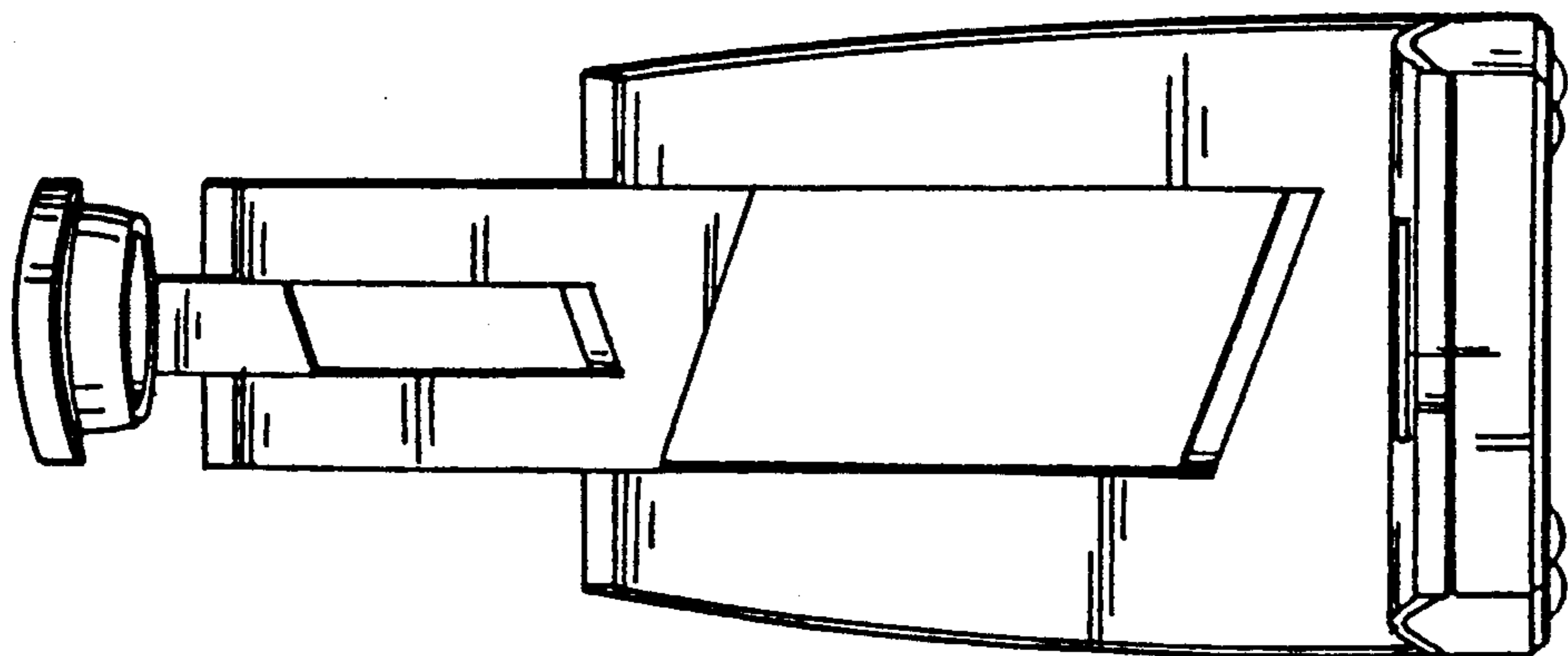


FIG.9

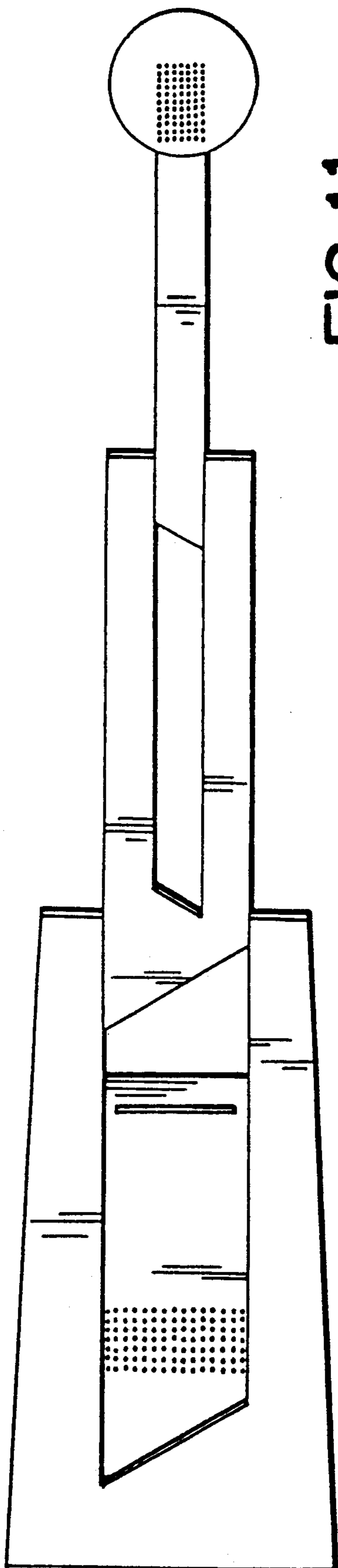


FIG. 11

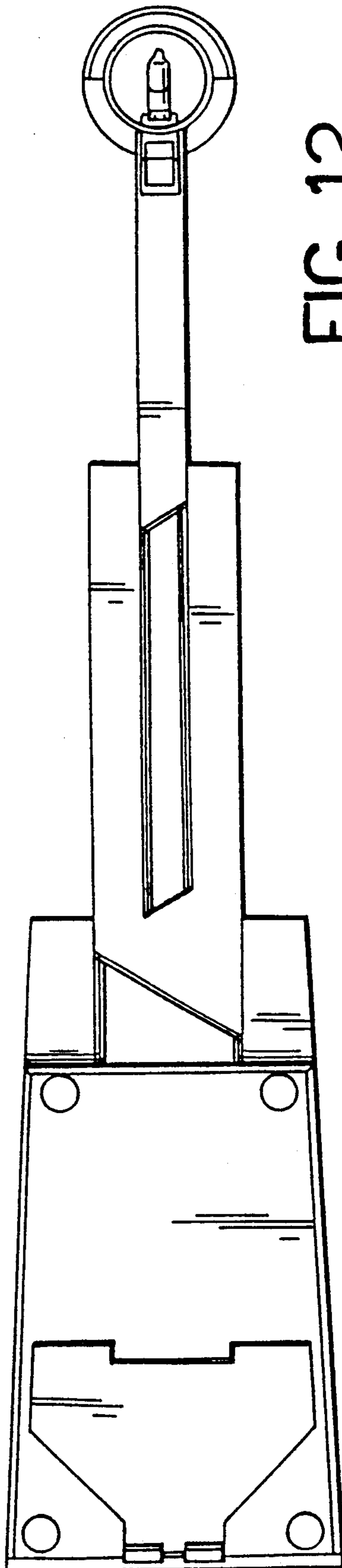


FIG. 12