



US00D324272S

# United States Patent [19]

[11] Patent Number: **Des. 324,272**

Thiel

[45] Date of Patent: **\*\* Feb. 25, 1992**

[54] **LADDER TRAY ATTACHMENT**

[76] Inventor: **Chris A. Thiel, 334 W. Walker St., Upper Sandusky, Ohio 43352**

[\*\*] Term: **14 Years**

[21] Appl. No.: **442,161**

[22] Filed: **Nov. 28, 1989**

[52] U.S. Cl. .... **D25/68**

[58] Field of Search ..... **D25/62, 64, 68; 182/125, 153, 182, 185, 224-226, 120-122; 248/210-211**

4,534,528 8/1985 Koussear ..... 248/210  
 4,702,446 10/1987 Brown ..... 248/210  
 4,703,833 11/1987 Bachman ..... 182/129

*Primary Examiner*—A. Hugo Word  
*Assistant Examiner*—Doris Clark  
*Attorney, Agent, or Firm*—Michael Sand Co.

### [57] CLAIM

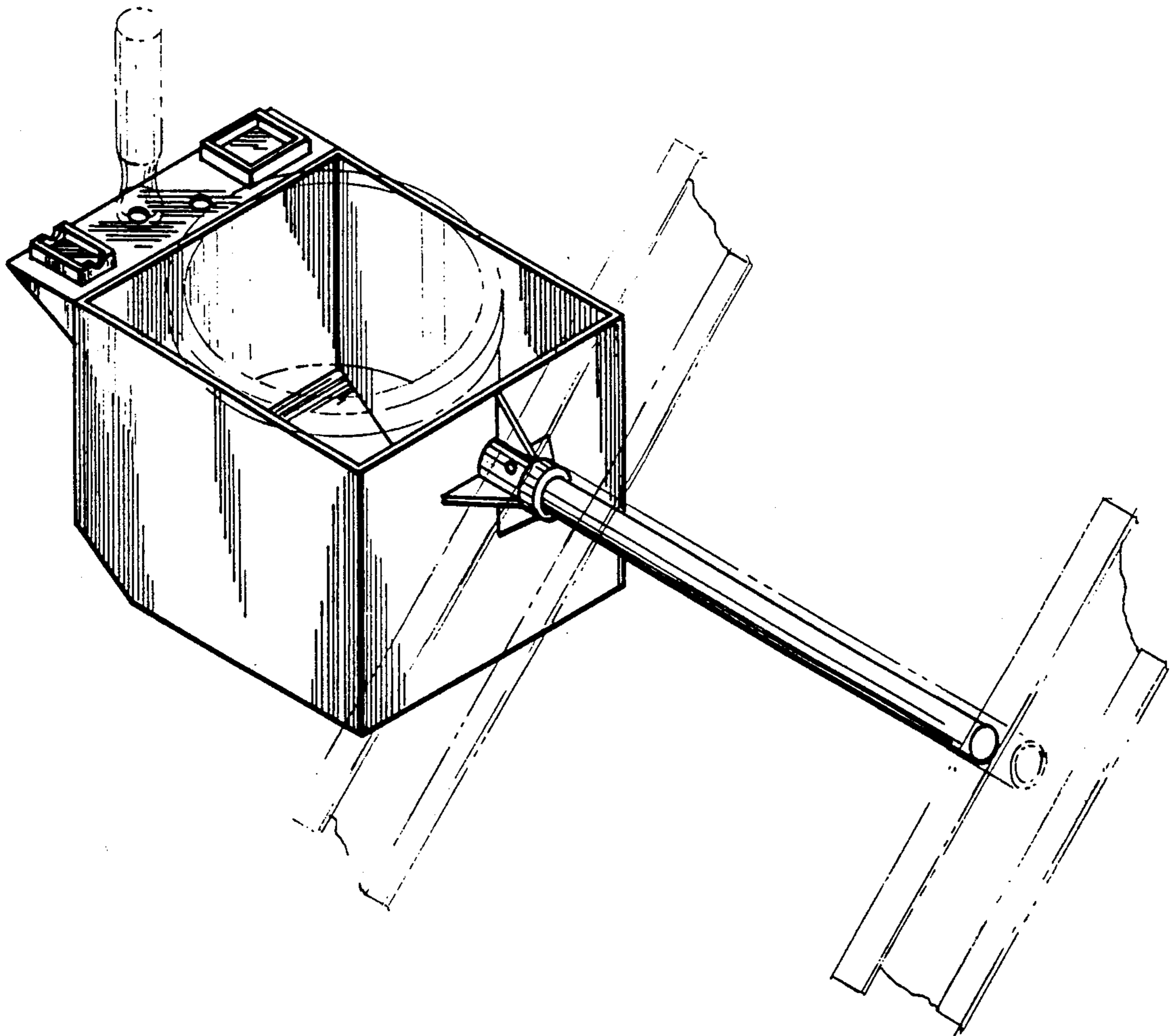
The ornamental design for a ladder tray attachment, as shown and described.

### DESCRIPTION

FIG. 1 is a perspective view of a ladder tray attachment showing my new design, the broken line showing of a ladder, a paint can, and a tool is for illustrative purposes only and form no part of the claimed design; FIG. 2 is a top plan view thereof; FIG. 3 is a right end elevational view thereof; FIG. 4 is a left end elevational view thereof; FIG. 6 is a side elevational view thereof; FIG. 7 is the opposite side elevational view thereof; and FIG. 8 is a perspective view of a second embodiment of a ladder tray attachment showing my new design.

[56] **References Cited**  
**U.S. PATENT DOCUMENTS**

3,223,369	12/1965	Benninger, Jr. ....	248/210
3,784,139	1/1974	Ellis .....	248/210
3,822,846	7/1974	Jesionowski .....	248/210
3,940,824	3/1976	Gioia et al. ....	248/210
4,099,693	7/1978	Blann .....	248/210
4,186,903	2/1980	Fazakerley .....	248/210
4,445,659	5/1984	La Chance .....	182/120
4,523,733	6/1985	Lunden, Jr. ....	248/210



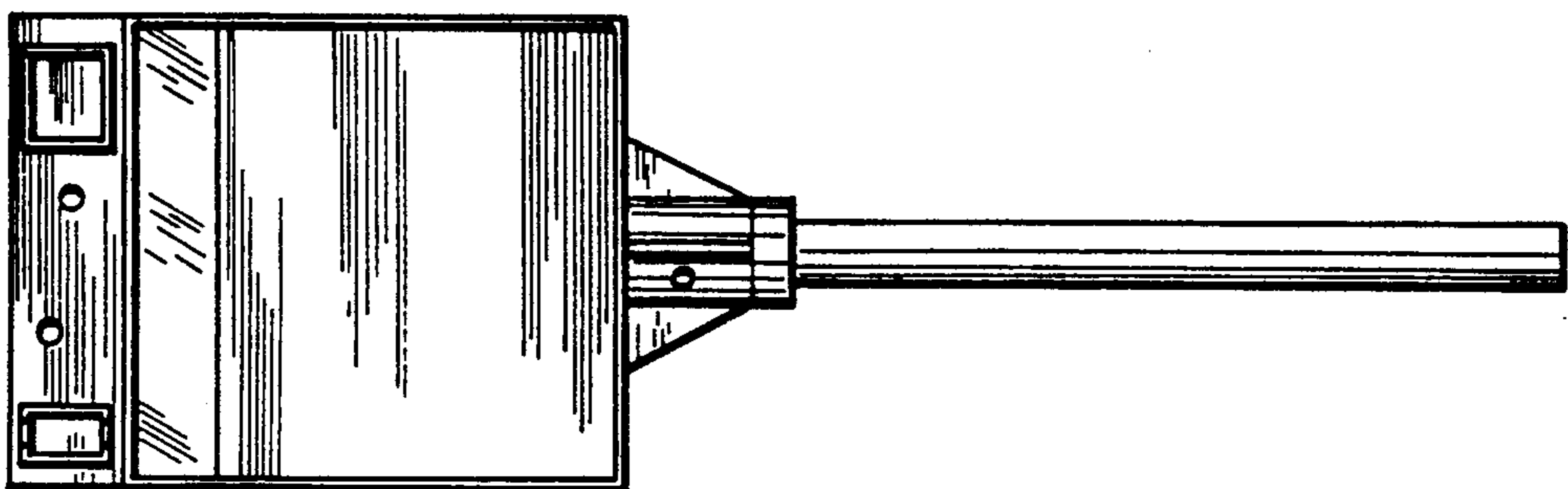
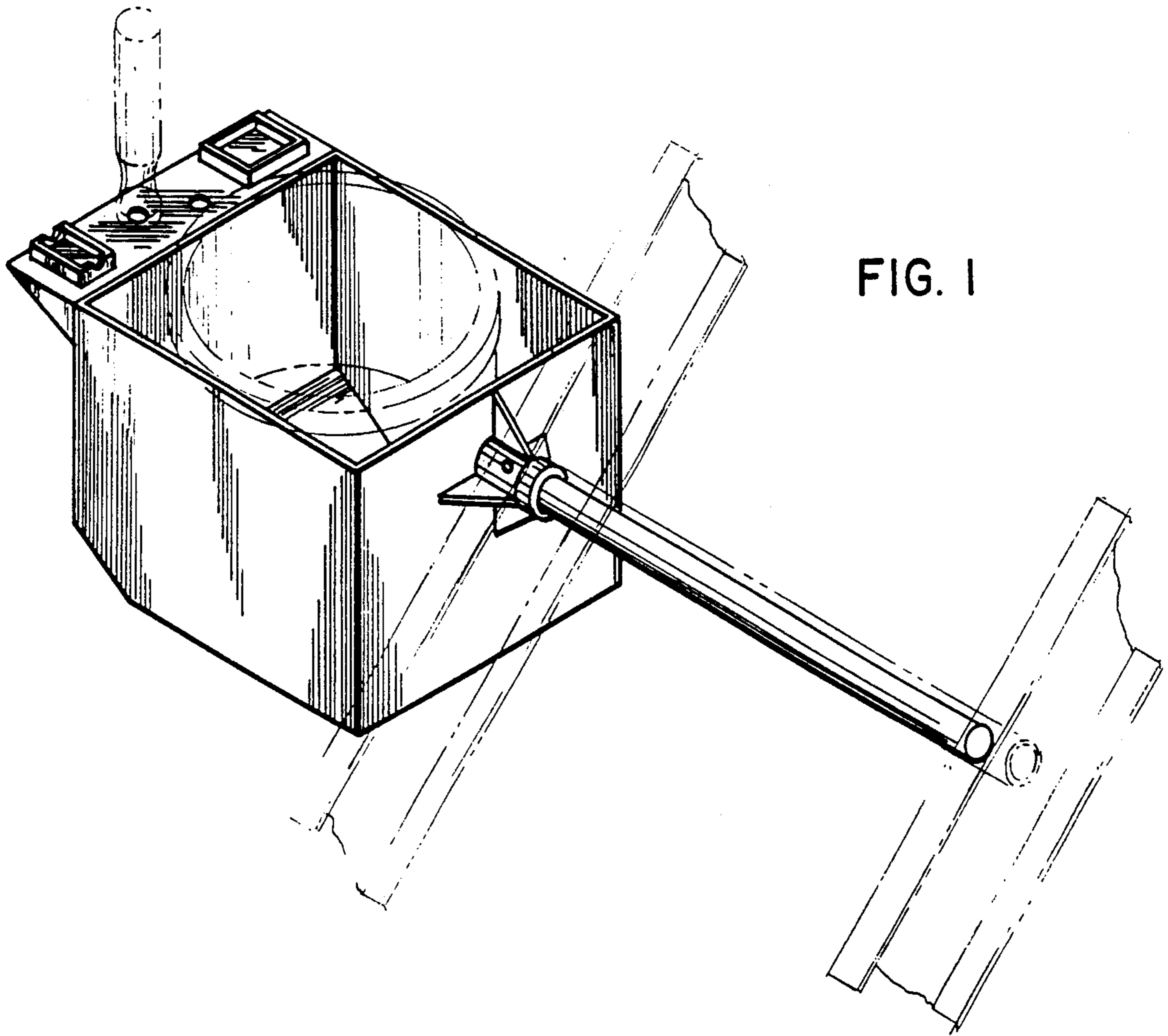


FIG. 2

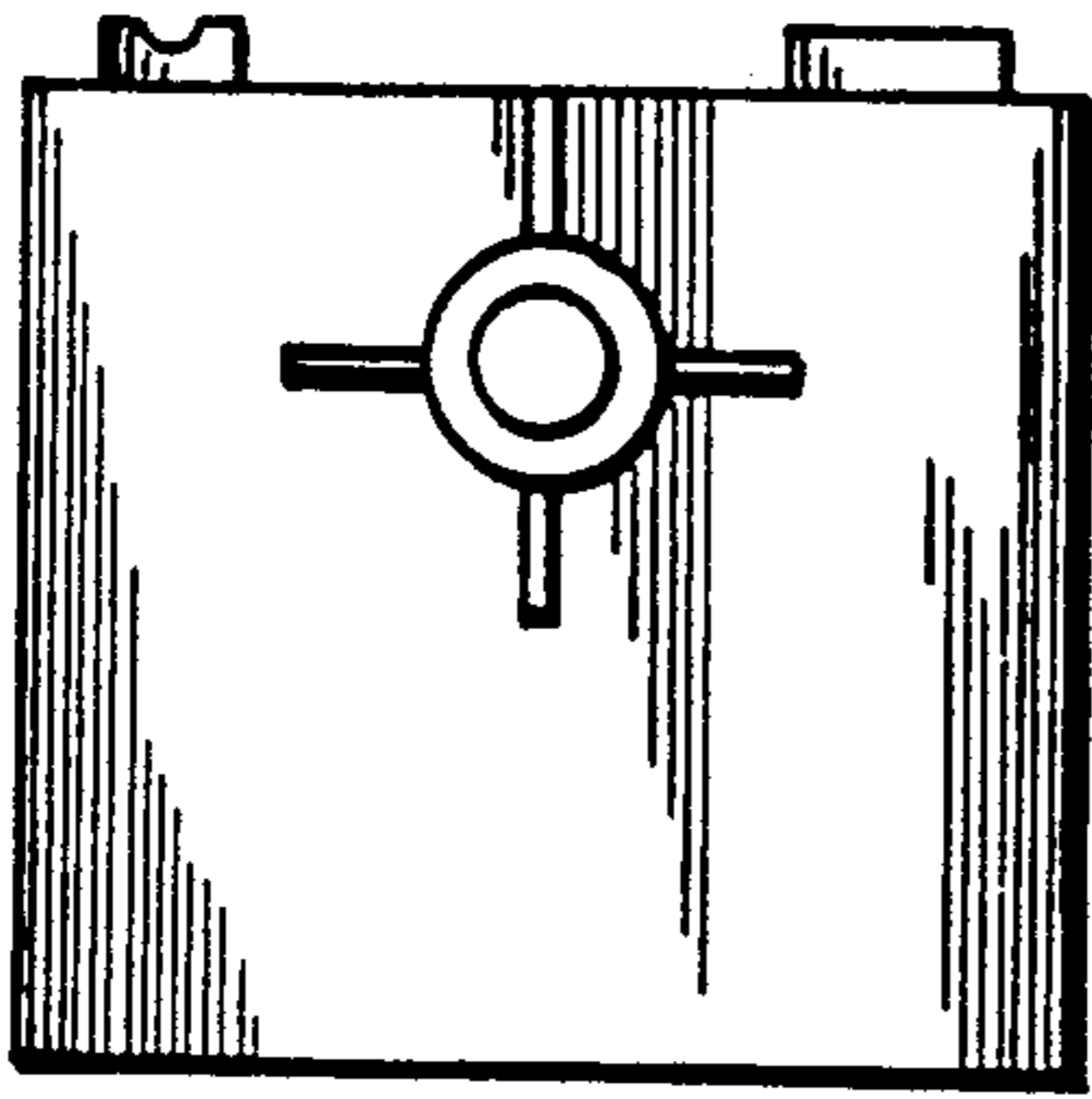


FIG. 3

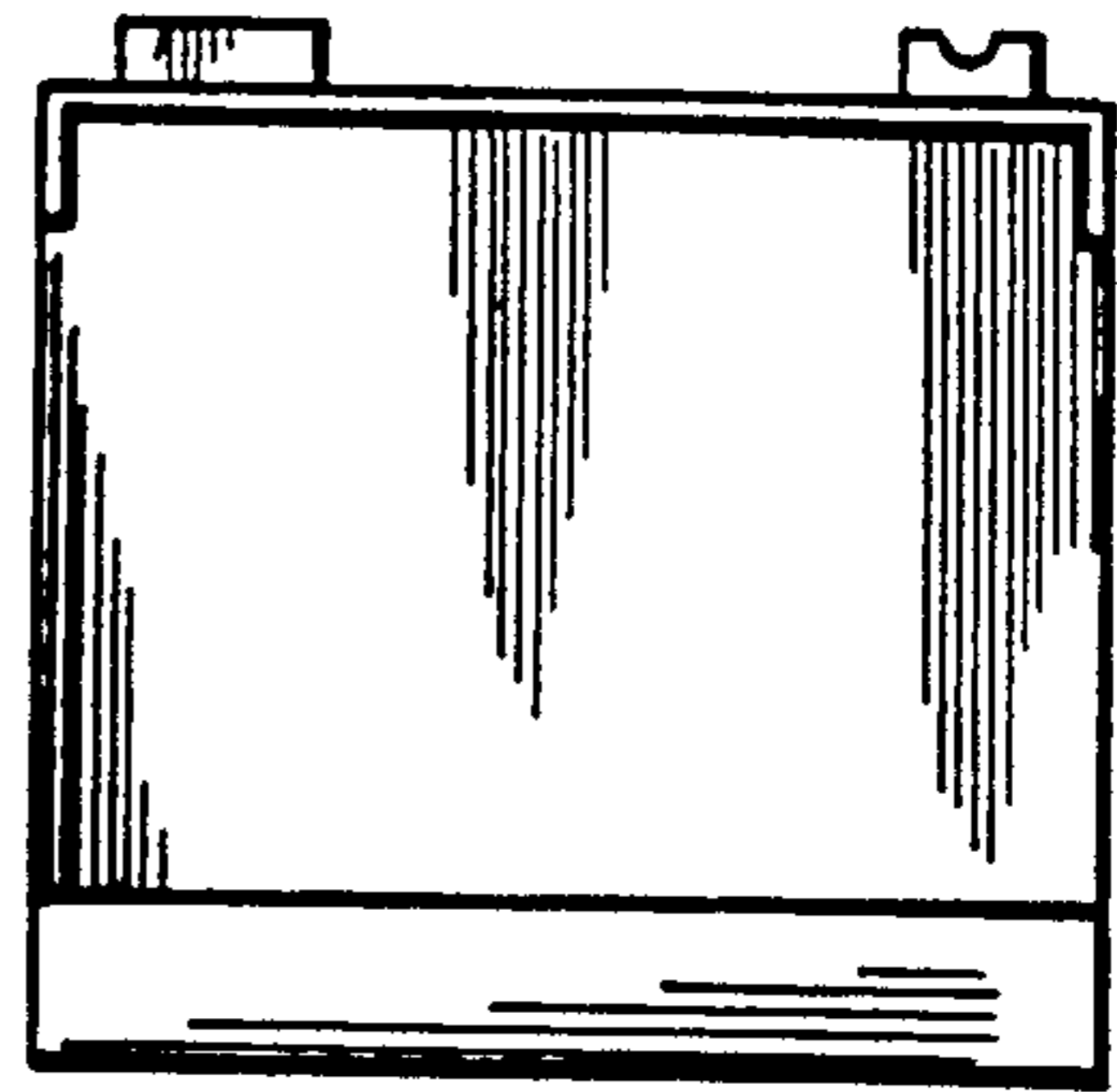


FIG. 4

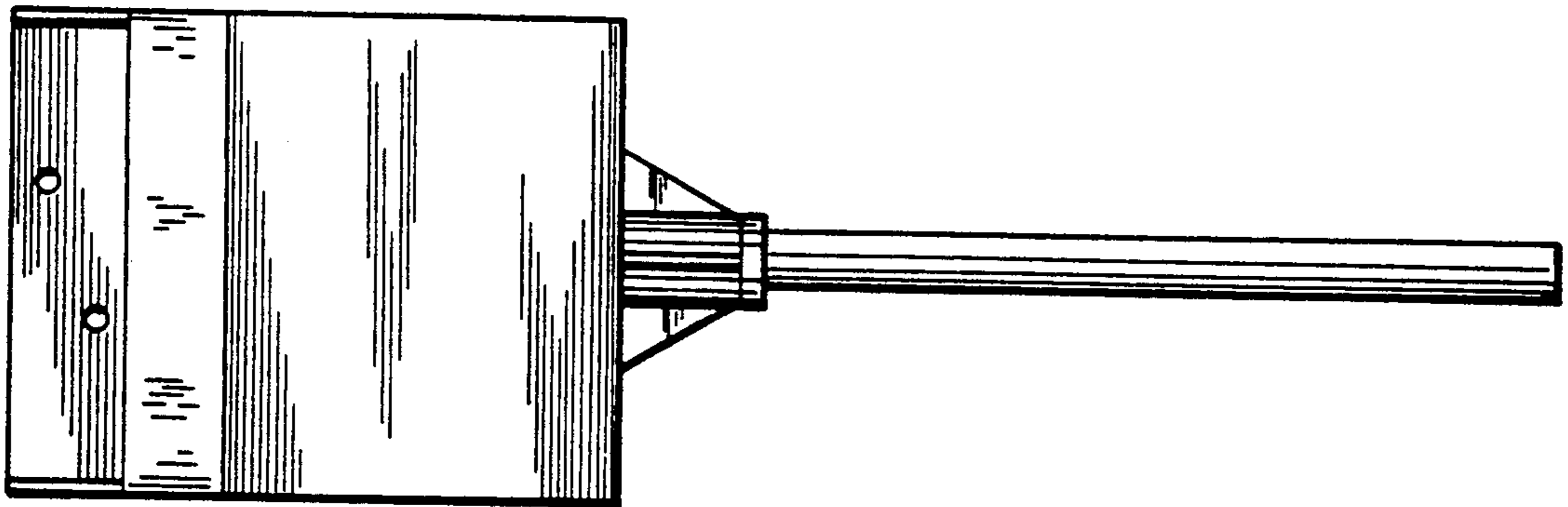


FIG. 5

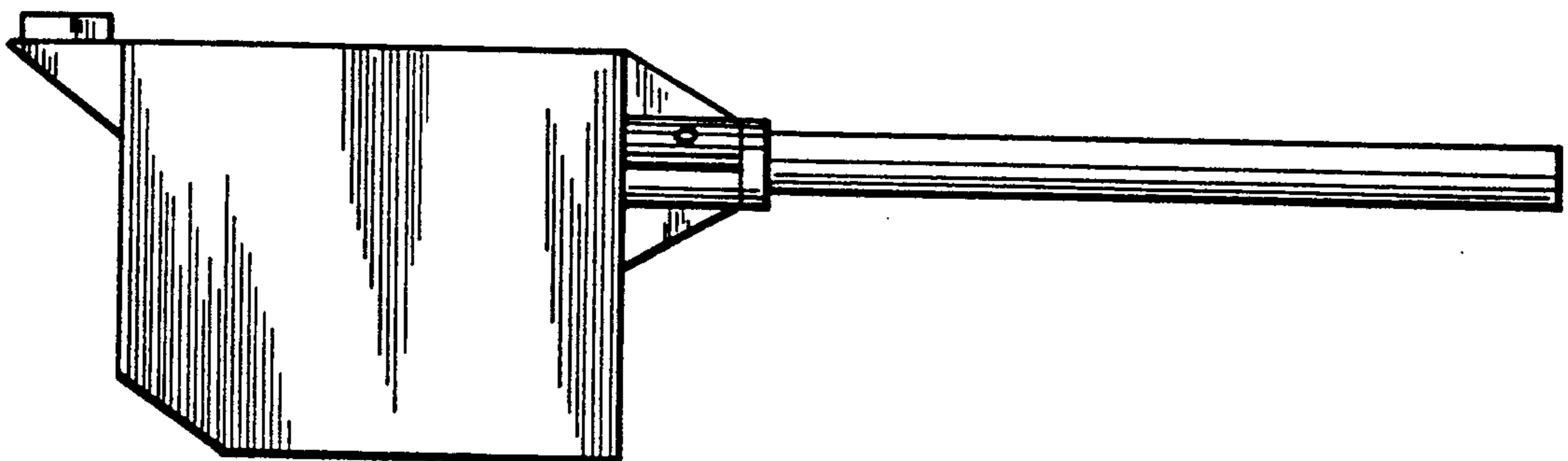


FIG. 6

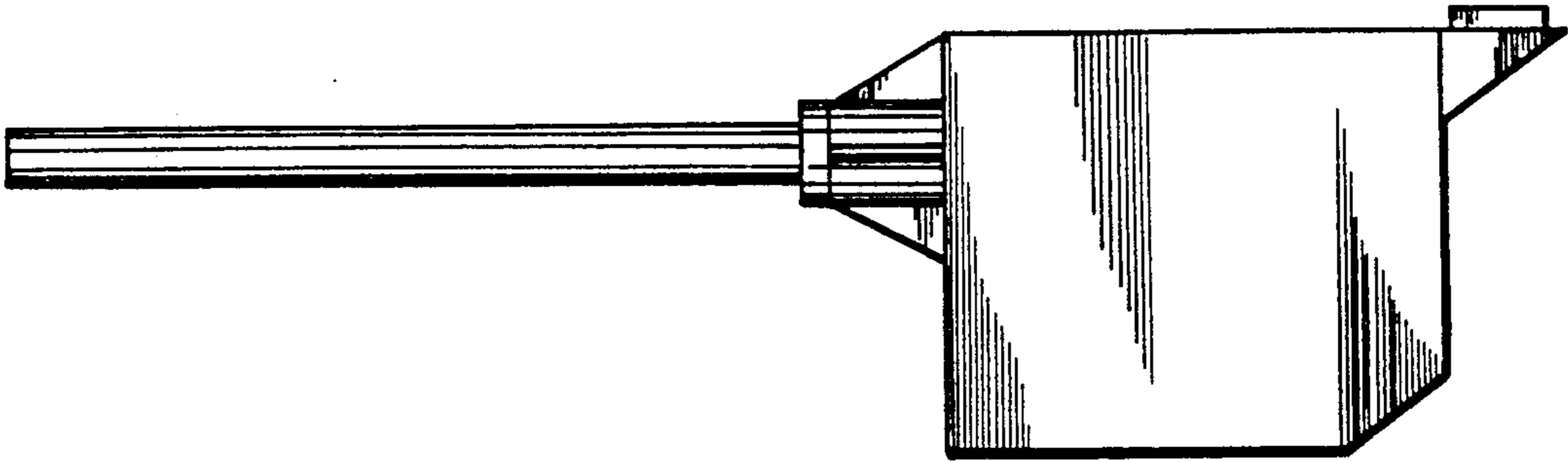


FIG. 7

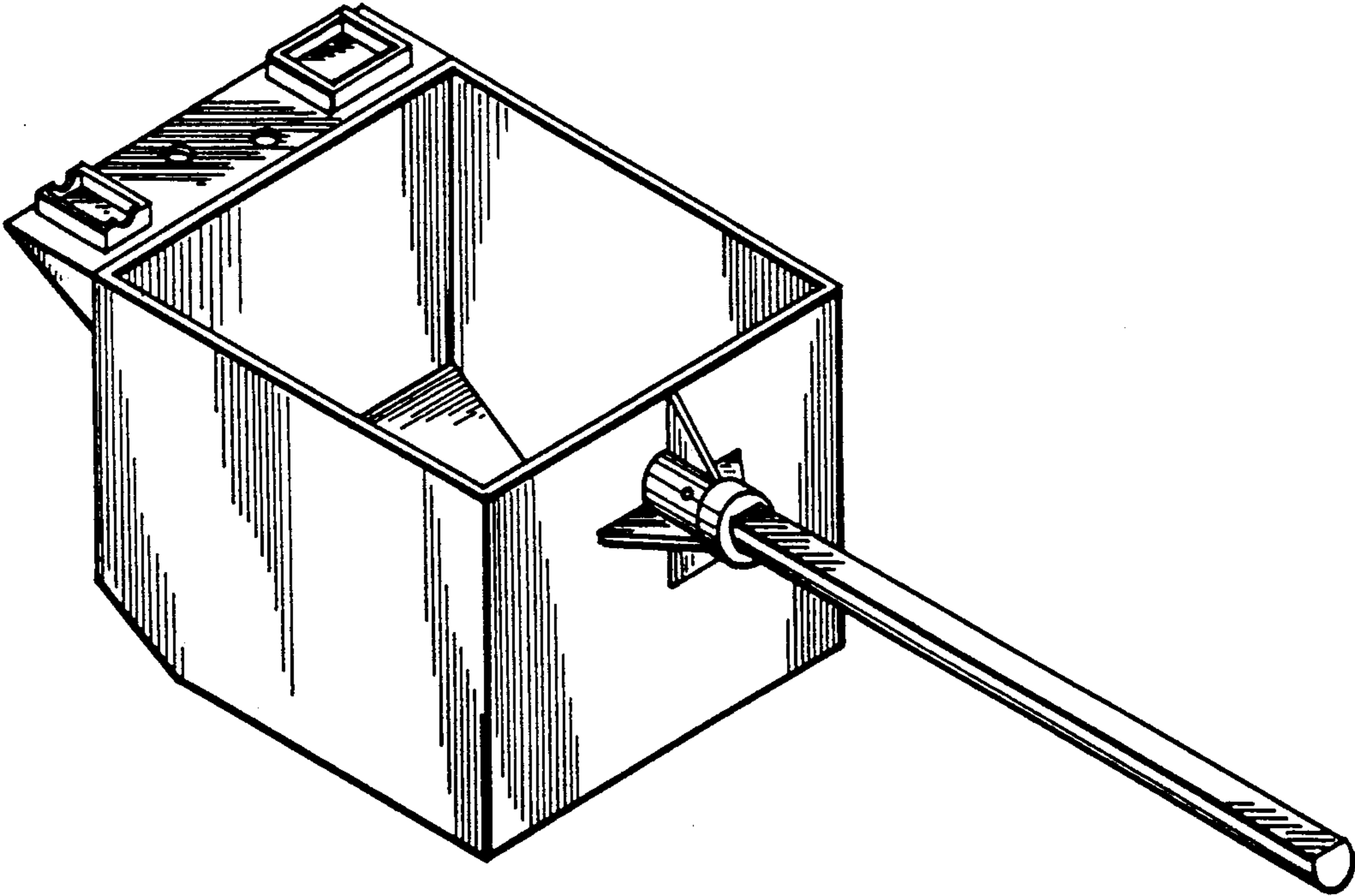


FIG. 8