



US00D324267S

# United States Patent [19]

[11] Patent Number: **Des. 324,267**

Smitt

[45] Date of Patent: **\*\* Feb. 25, 1992**

[54] **DISPOSABLE DENTAL TIP FOR MEASURING GUM POCKETS**

3,900,954 8/1975 Dragan ..... 433/90  
4,969,816 11/1990 Drumm ..... 433/90

[75] Inventor: **Rikard Smitt, Malmö, Sweden**

*Primary Examiner*—Susan J. Lucas

[73] Assignee: **Samhall Pile, Malmo, Sweden**

*Assistant Examiner*—M. H. Tung

[\*\*] Term: **14 Years**

*Attorney, Agent, or Firm*—Shapiro and Shapiro

[21] Appl. No.: **417,677**

[57] **CLAIM**

[22] Filed: **Oct. 5, 1989**

The ornamental design for a disposable dental tip for measuring gum pockets, as shown.

[30] **Foreign Application Priority Data**

**DESCRIPTION**

Apr. 10, 1989 [SE] Sweden ..... 89-0915

[52] U.S. Cl. .... **D24/112**

[58] Field of Search ..... D24/111-114,  
D24/176-177; 433/80-83, 87-90, 49-50,  
52-53, 77, 79; 128/62 R, 66; 604/152

FIG. 1 is a front perspective view of a disposable dental tip for measuring gum pockets showing my new design, on an enlarged scale;

FIG. 2 is a rear perspective view thereof, on an enlarged scale;

FIG. 3 is a bottom plan view thereof;

FIG. 4 is a left side elevational view thereof;

FIG. 5 is an inverted right side elevational view thereof;

FIG. 6 is a top plan view thereof;

FIG. 7 is a rear elevational view thereof; and

FIG. 8 is a front elevational view thereof.

[56] **References Cited**

**U.S. PATENT DOCUMENTS**

D. 224,655 8/1972 Dragan ..... D24/112  
3,581,399 8/1969 Dragan ..... 433/90

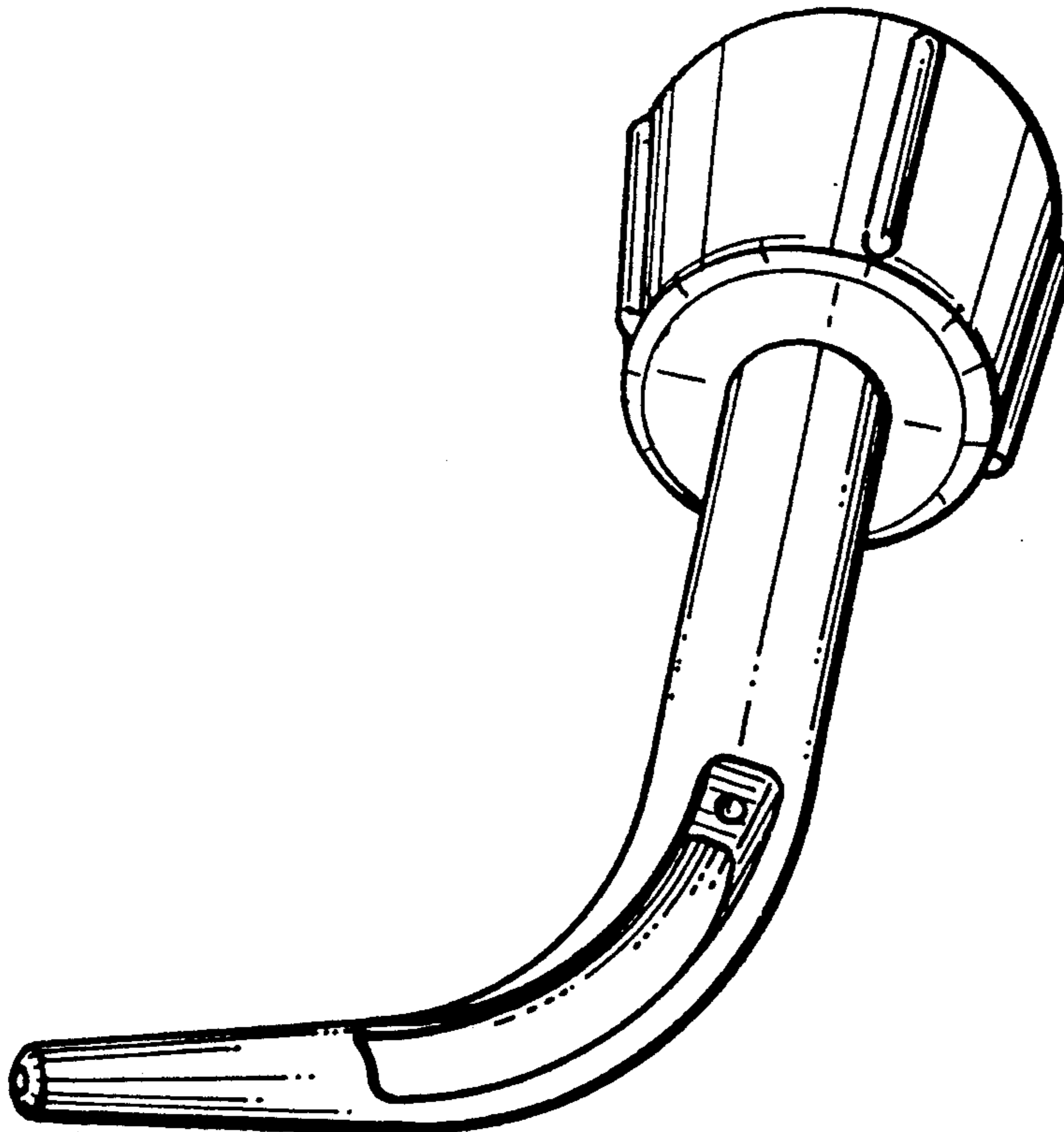


FIG.1

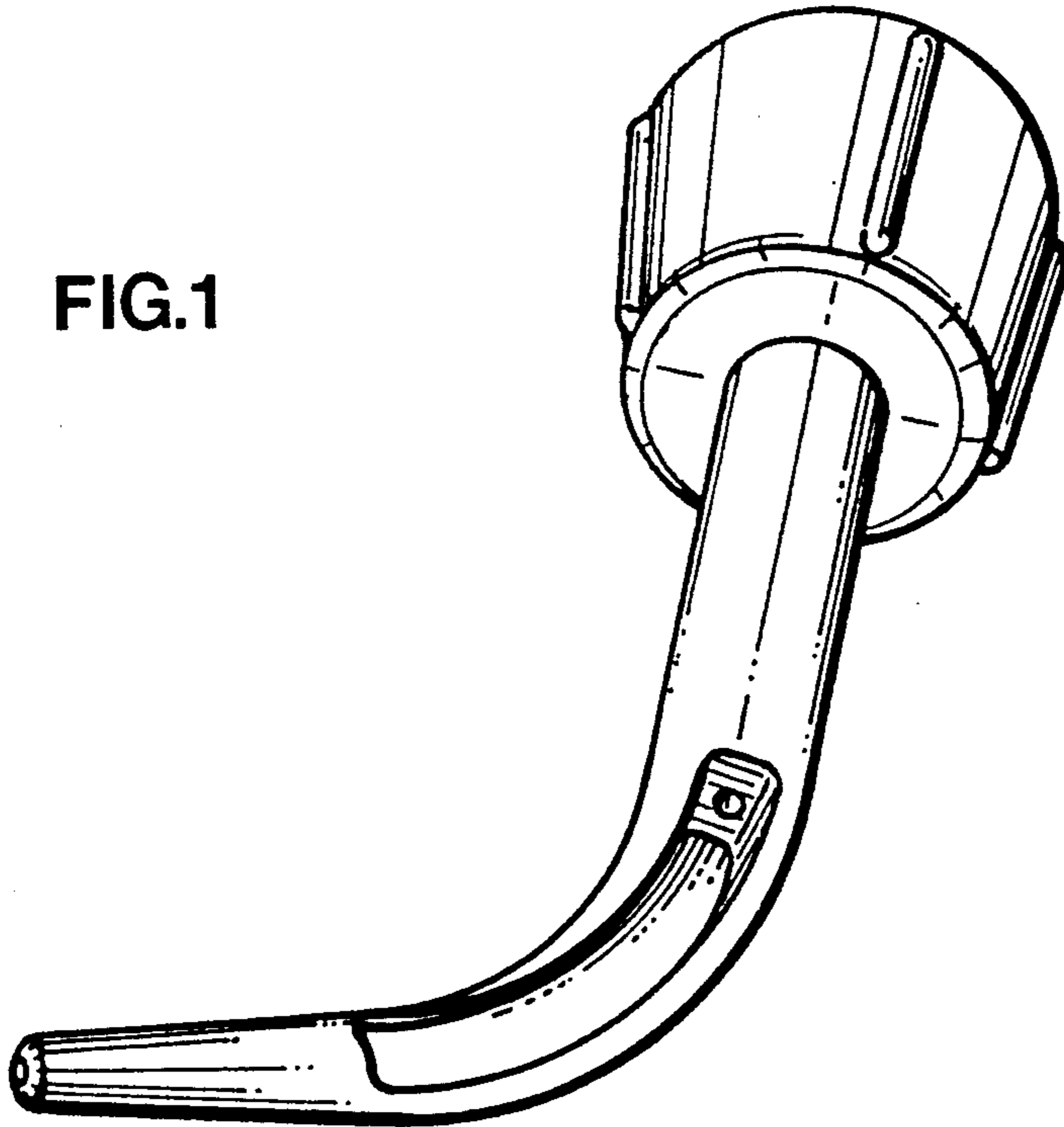


FIG.2

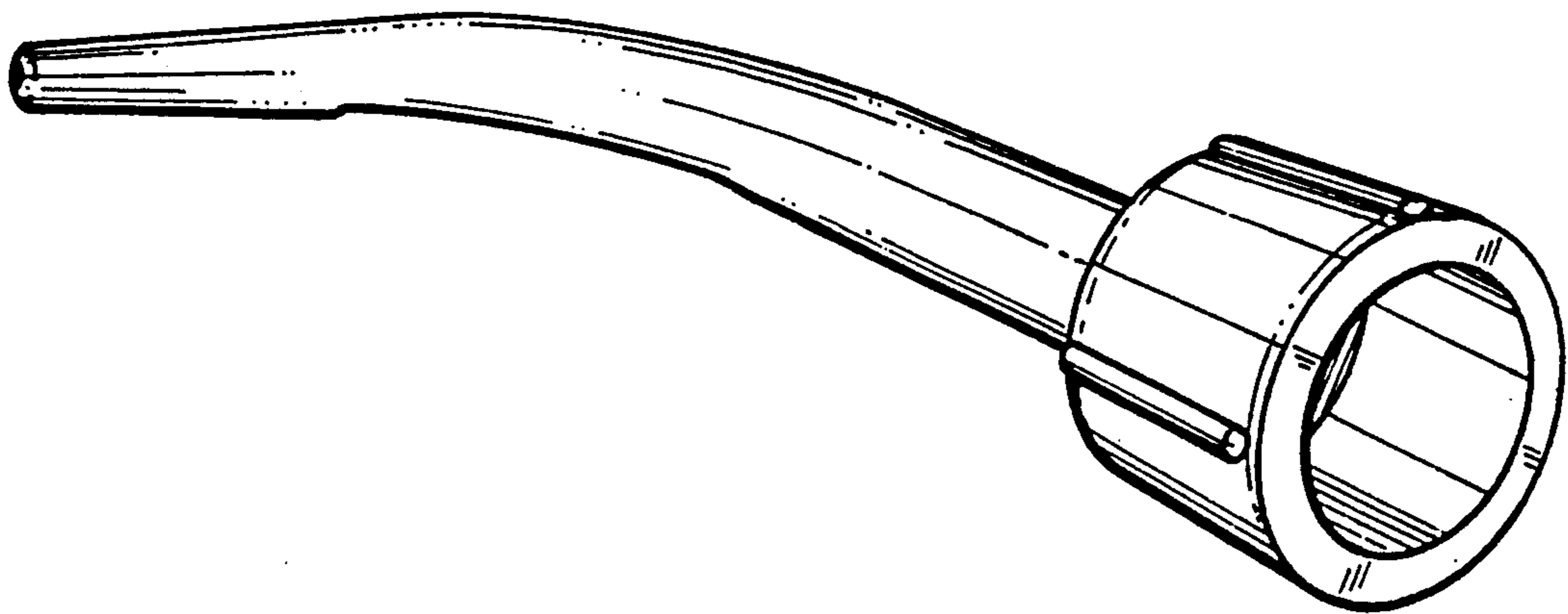


FIG.3

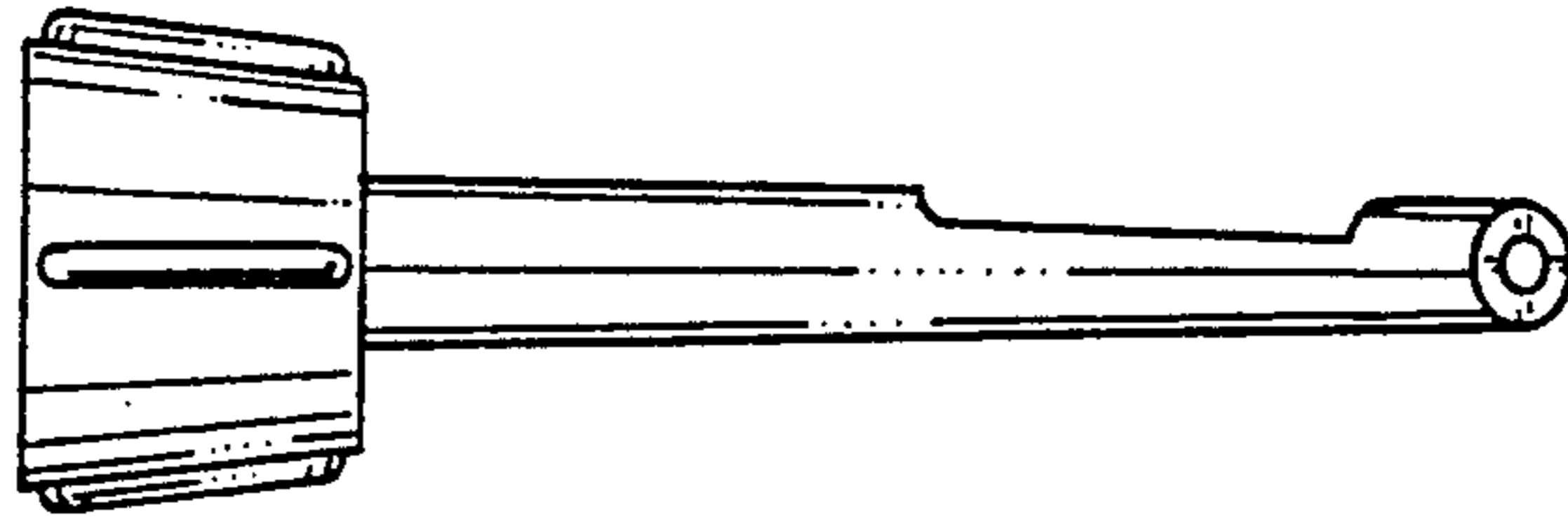


FIG.4

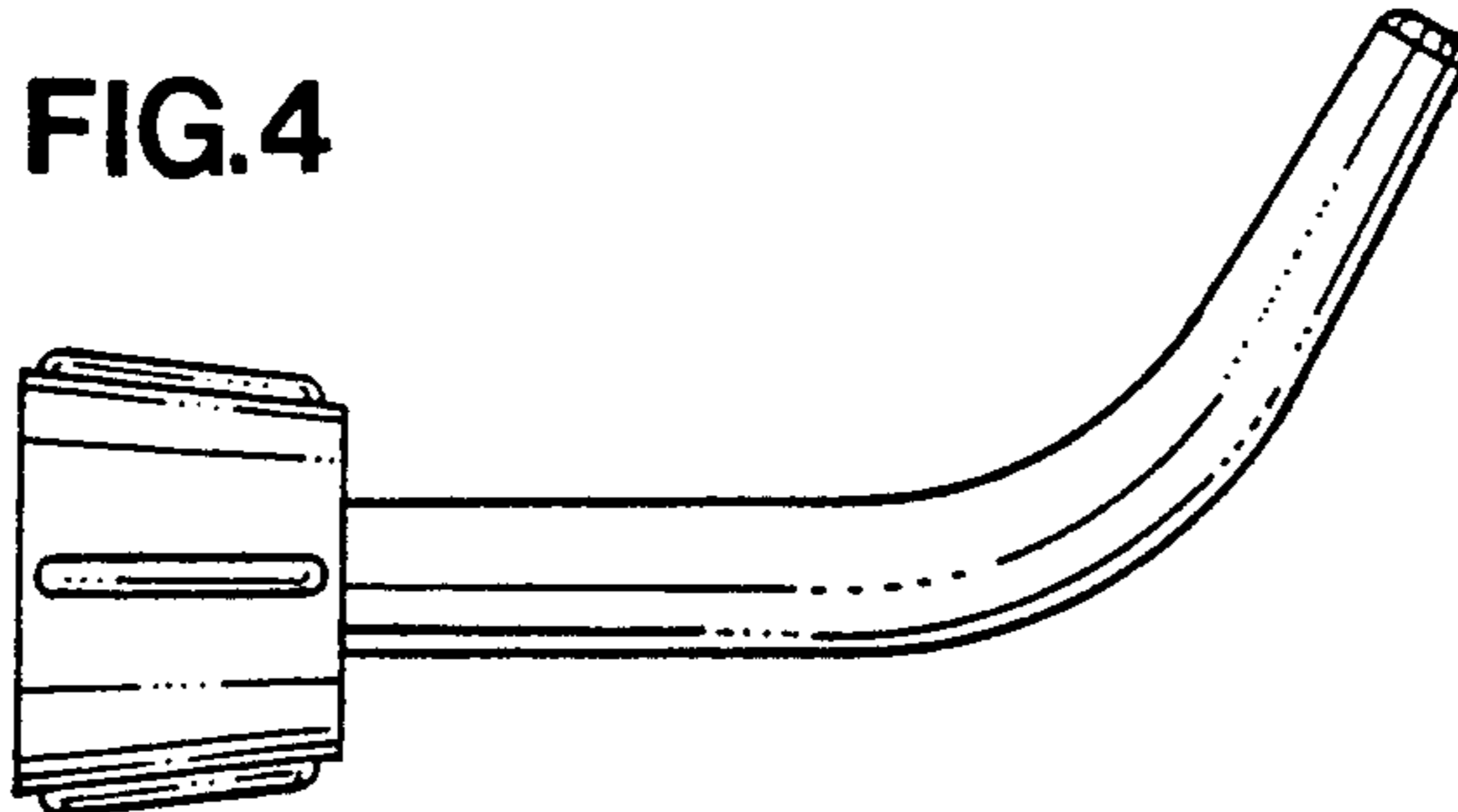


FIG.7

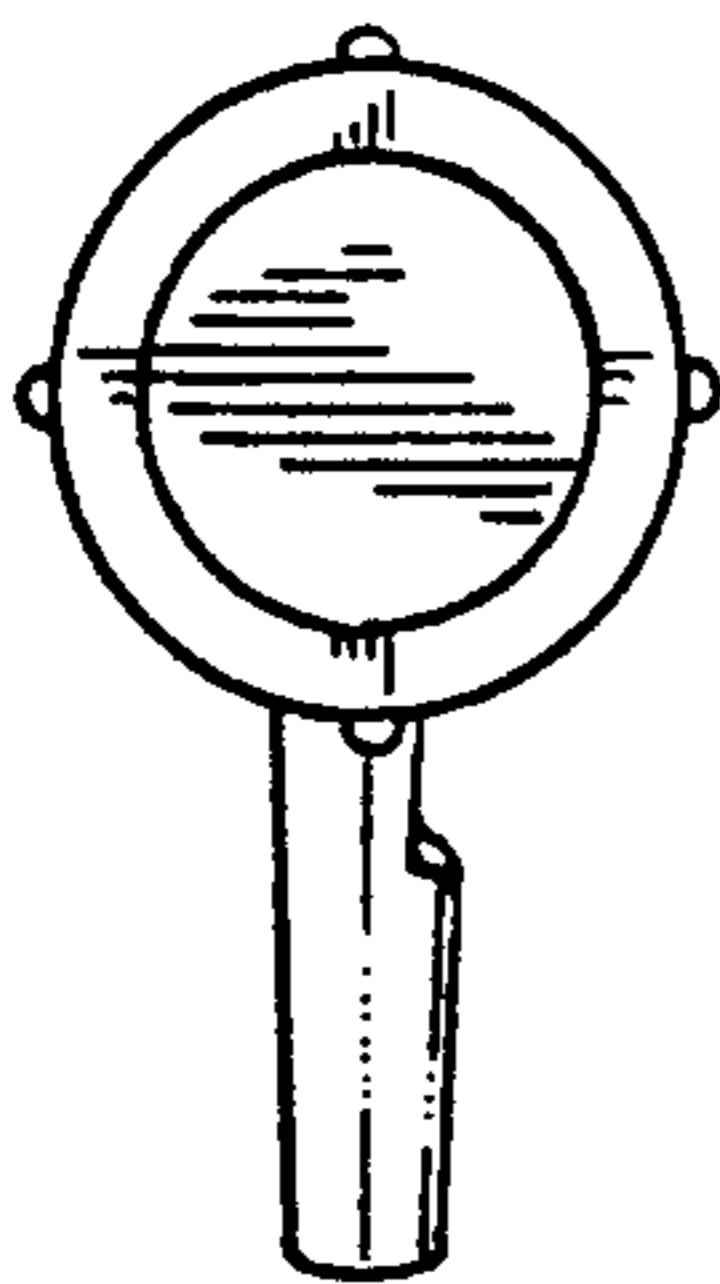


FIG.5

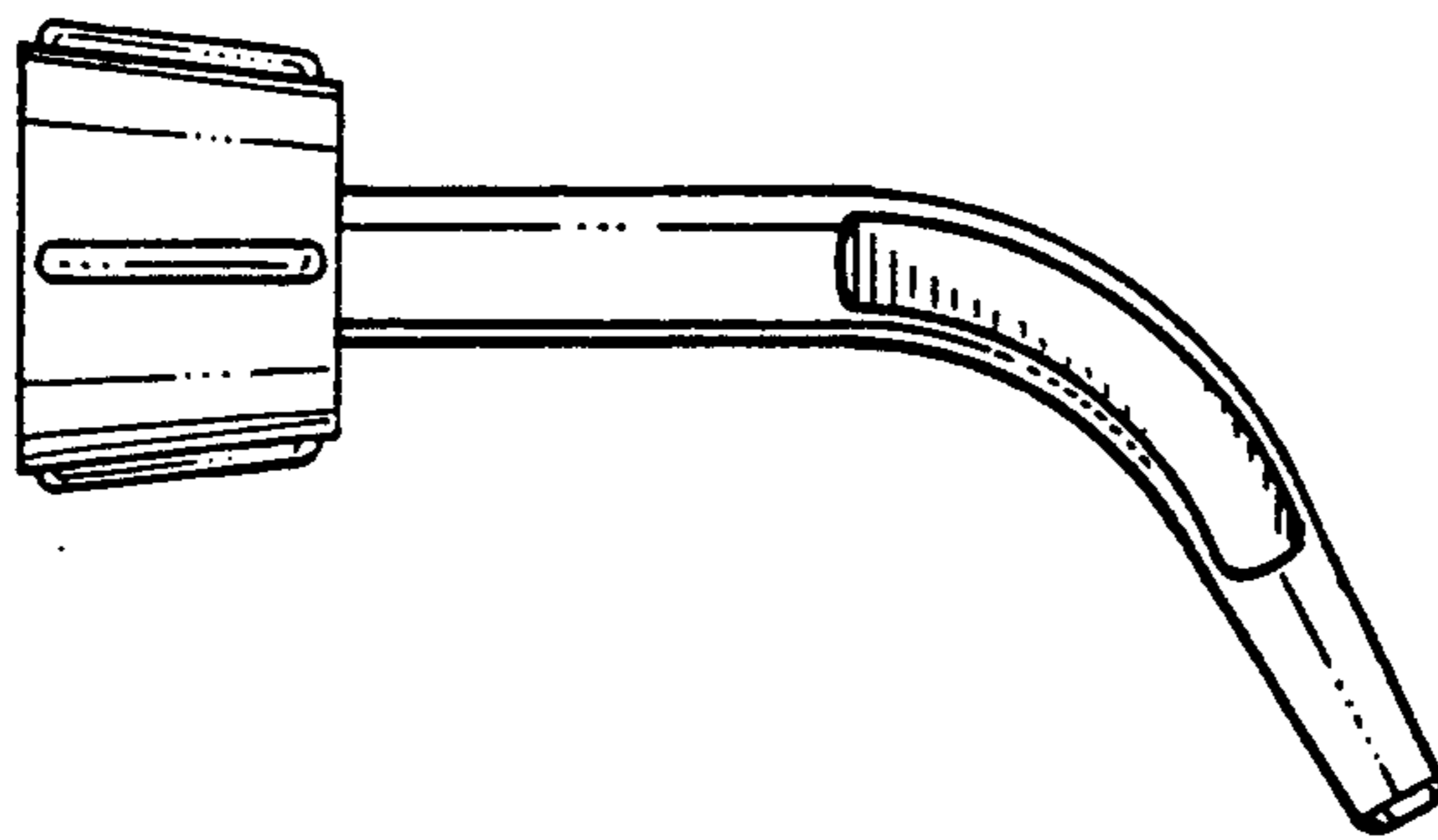


FIG.8

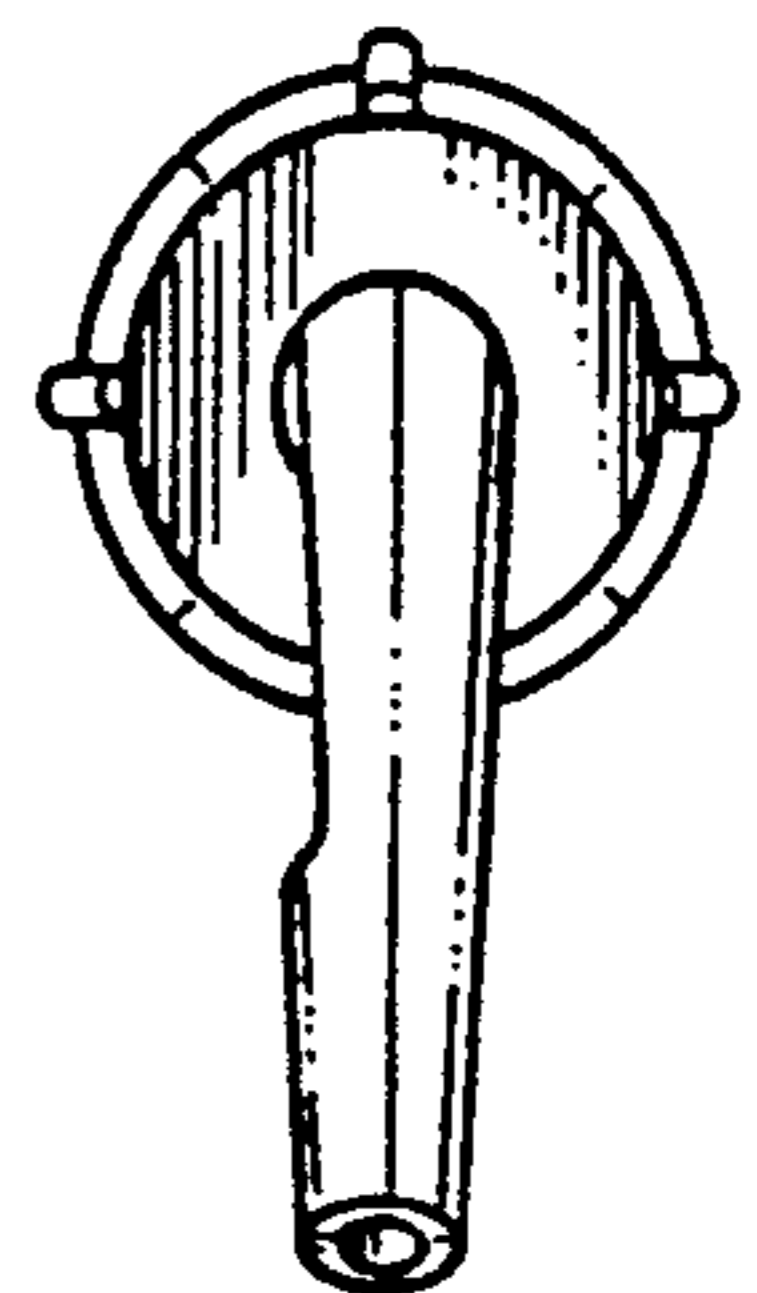


FIG.6

