



US00D324266S

United States Patent [19]

[11] Patent Number: **Des. 324,266**

Holbrook

[45] Date of Patent: **** Feb. 25, 1992**

[54] **CEILING FAN MOTOR HOUSING**

[75] Inventor: **Richard M. Holbrook**, Redondo Beach, Calif.

[73] Assignee: **Casablanca Fan Company, Inc.**, City of Industry, Calif.

[**] Term: **14 Years**

[21] Appl. No.: **516,835**

[22] Filed: **Apr. 30, 1990**

[52] U.S. Cl. **D23/411**

[58] Field of Search **D23/378, 377, 379, 381, D23/382, 411, 413, 385; 416/5; 362/96**

[56] **References Cited**

U.S. PATENT DOCUMENTS

1,699,201	1/1929	Guth	416/5
1,744,270	1/1930	Fellogg	362/96
2,056,041	9/1936	Erbach	D23/385
4,402,649	9/1983	Laurel	416/5
4,518,314	5/1985	Schultz	D23/411
4,626,970	12/1986	Huang	D23/411

OTHER PUBLICATIONS

Casablanca Fan Co., Adv. Flyer, p. 2, Halogen Star

Fans, Models 220N16T, 220211T and 220216T, left side of page.

Enterprise Inc., Adv. Flyer, front of flyer, Ceiling Fans. Murray Feiss Import, Corp. Cat., p. CF17, Galaxy Ceiling Fan, top of page.

Primary Examiner—James M. Gandy
Assistant Examiner—Lisa Lichtenstein
Attorney, Agent, or Firm—Charles H. Schwartz; Ellsworth R. Roston

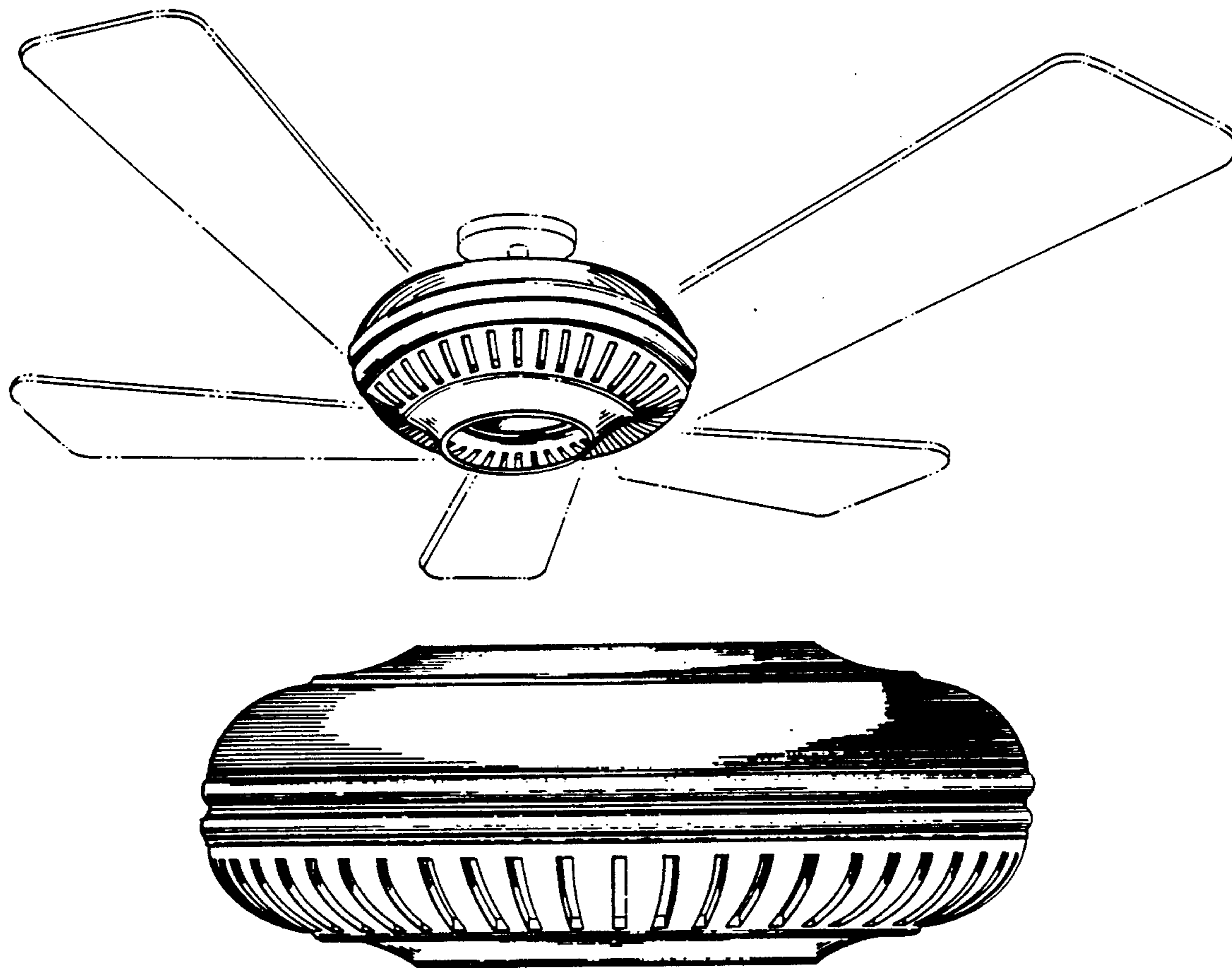
[57] **CLAIM**

The ornamental design for a ceiling fan motor housing, as shown and described.

DESCRIPTION

FIG. 1 is a bottom and side perspective view of a ceiling fan motor housing showing my new design, the broken line showing of environmental structure is for illustrative purposes only and forms no part of the claimed design;

FIG. 2 is an enlarged side elevational view thereof, the other side views being substantially identical; and FIG. 3 is an enlarged plan view thereof, the top plan view being substantially identical except without the radial slots;



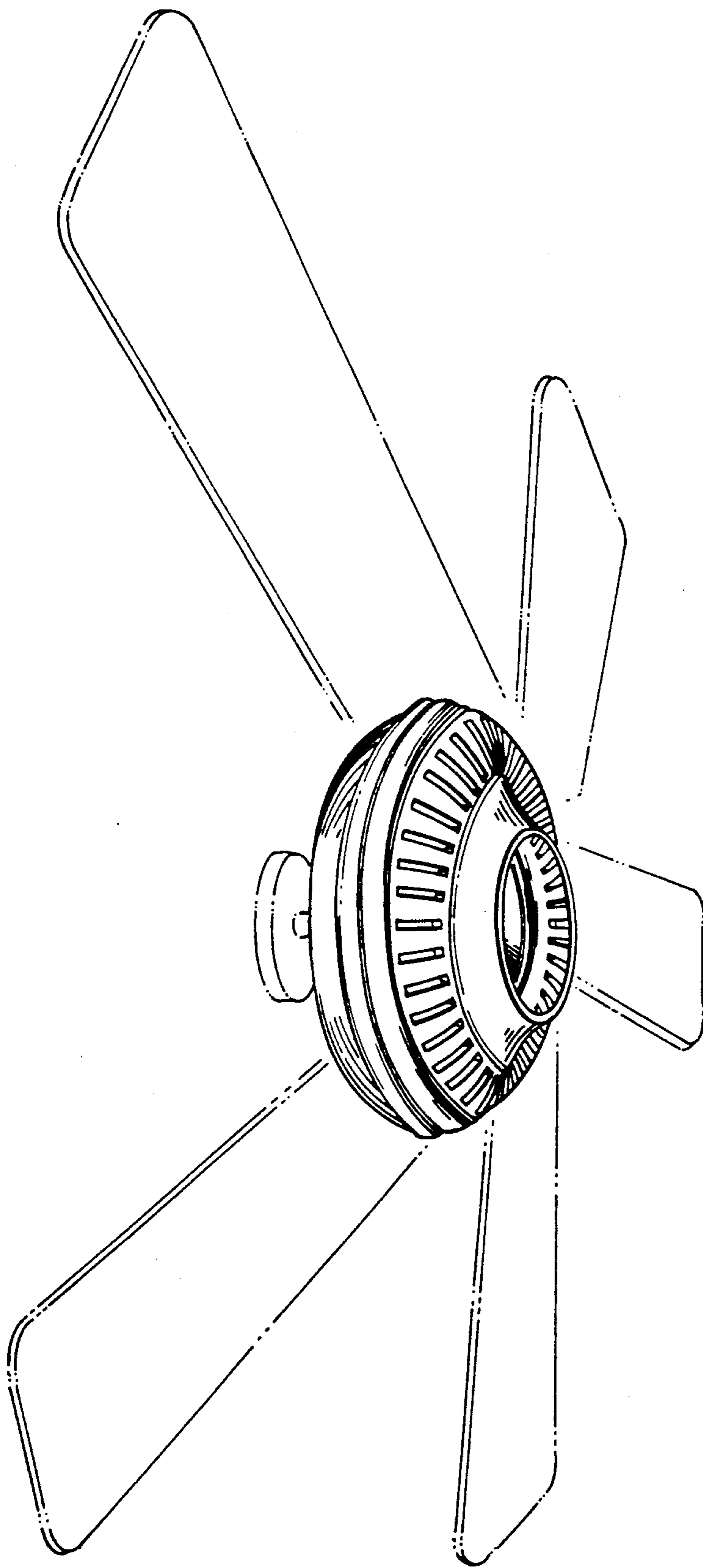


FIG. 1

FIG. 2

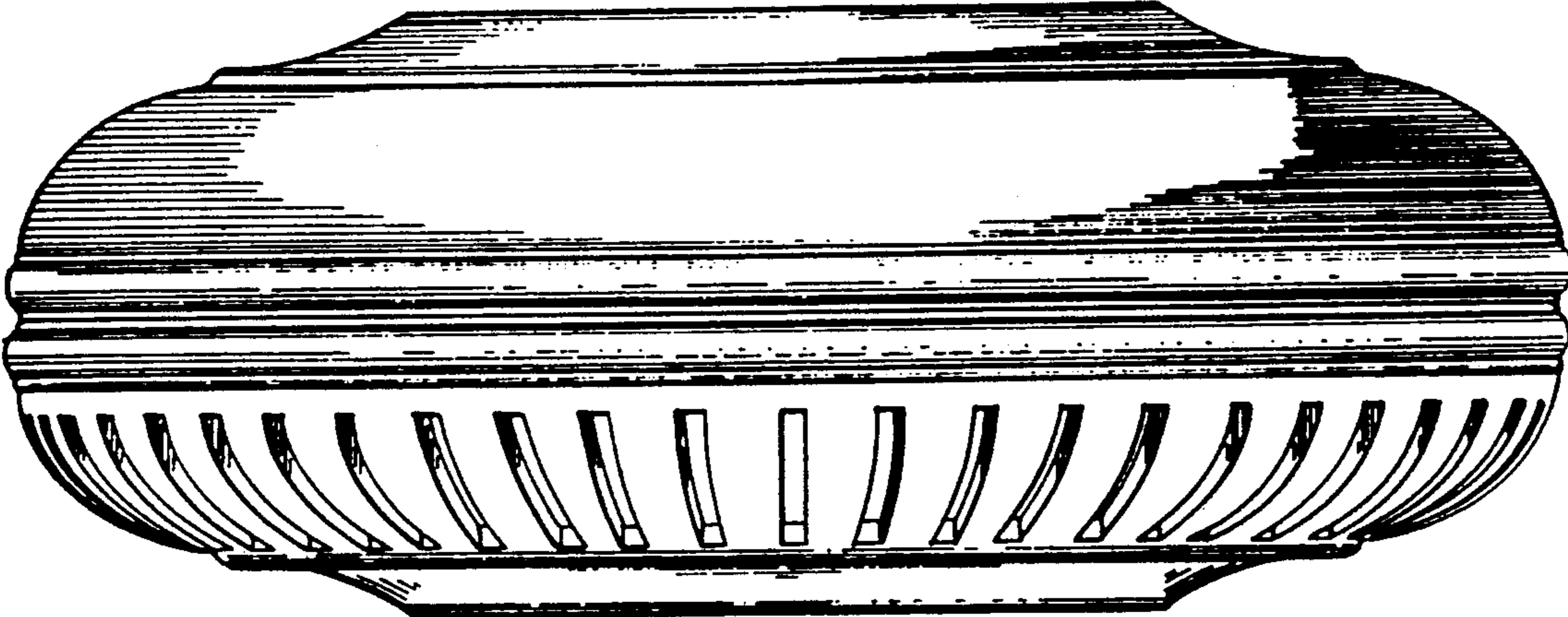


FIG. 3

