



US00D324256S

# United States Patent [19]

[11] Patent Number: **Des. 324,256**

Poe et al.

[45] Date of Patent: **\*\* Feb. 25, 1992**

[54] FISHING REEL

4,715,555 12/1987 McChristian, Jr. .... 242/295  
4,750,687 6/1988 Sievert et al. .... 242/295

[76] Inventors: **John R. B. Poe**, 418 Marilyn Dr.,  
Pearl, Miss. 39208; **Ricky Porter**,  
Rte. 2, Box 19, Pickens, Miss. 39146

*Primary Examiner*—A. Hugo Word  
*Assistant Examiner*—Doris V. Coles  
*Attorney, Agent, or Firm*—Leon Gilden

[\*\*] Term: **14 Years**

[57] **CLAIM**

[21] Appl. No.: **426,687**

The ornamental design for a fishing reel, as shown and described.

[22] Filed: **Oct. 26, 1989**

[52] U.S. Cl. .... **D22/140**

[58] Field of Search ..... **D22/137, 140; 242/317,**  
**242/323, 295, 307**

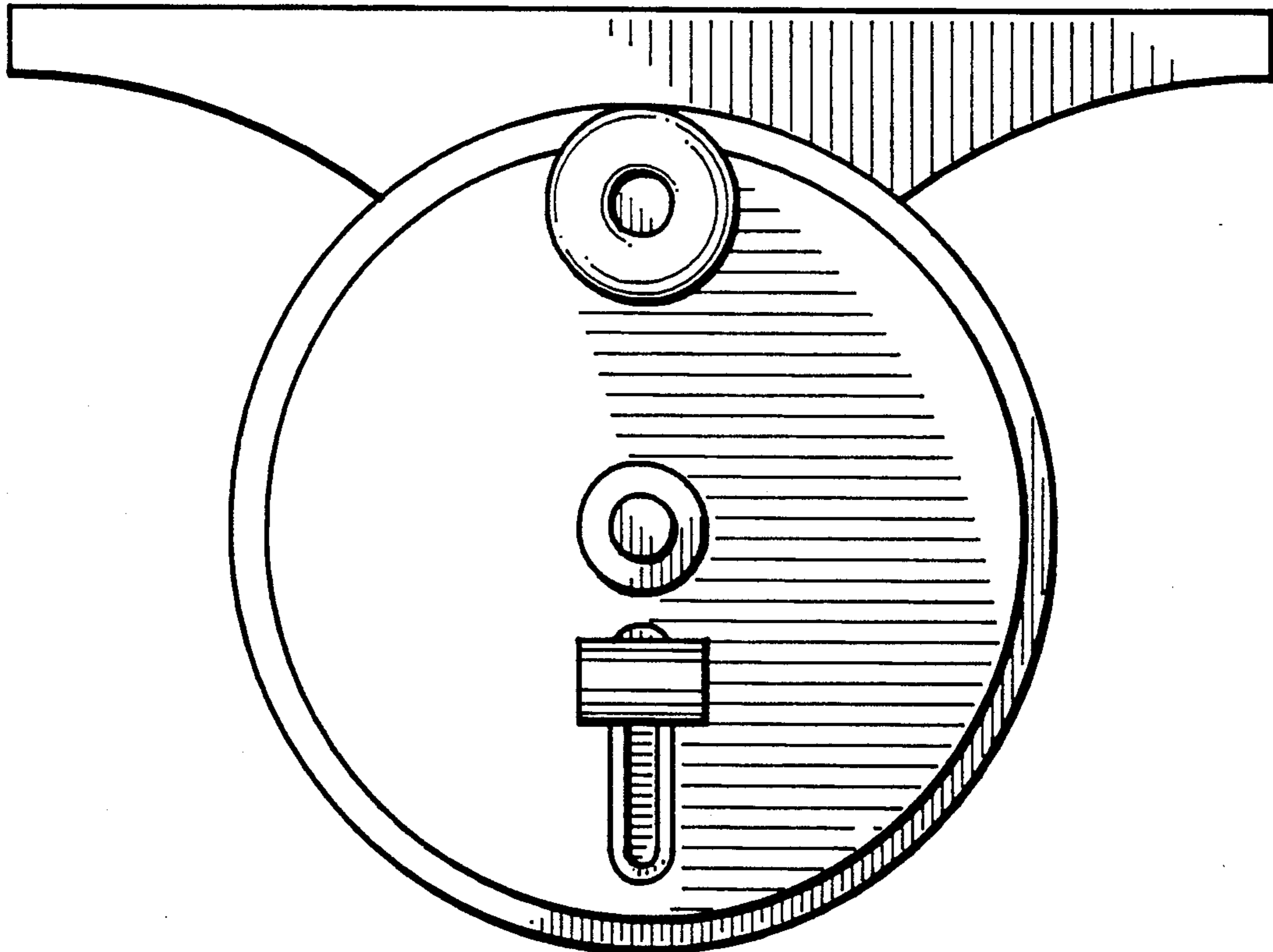
**DESCRIPTION**

[56] **References Cited**

**U.S. PATENT DOCUMENTS**

1,284,039 11/1918 Atwood ..... 242/317 X  
2,551,567 5/1951 Reyburn ..... 242/295  
3,989,204 11/1976 Lemery ..... 242/295

FIG. 1 is a front elevational view of a fishing reel showing our new design;  
FIG. 2 is a rear elevational view thereof;  
FIG. 3 is a left side elevational view thereof;  
FIG. 4 is a right side elevational view thereof;  
FIG. 5 is a top plan view thereof; and  
FIG. 6 is a bottom plan view thereof.



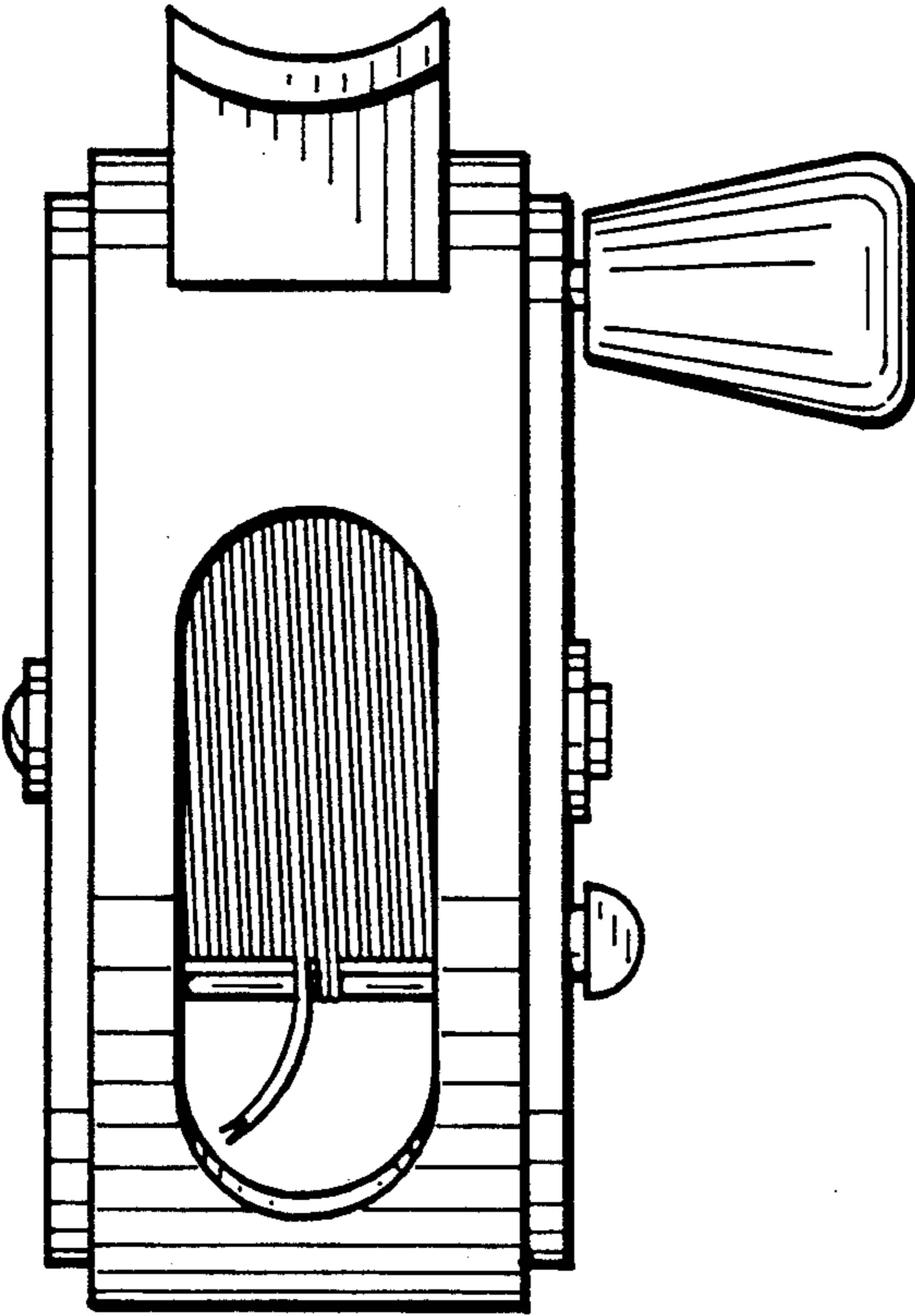


Fig. 1

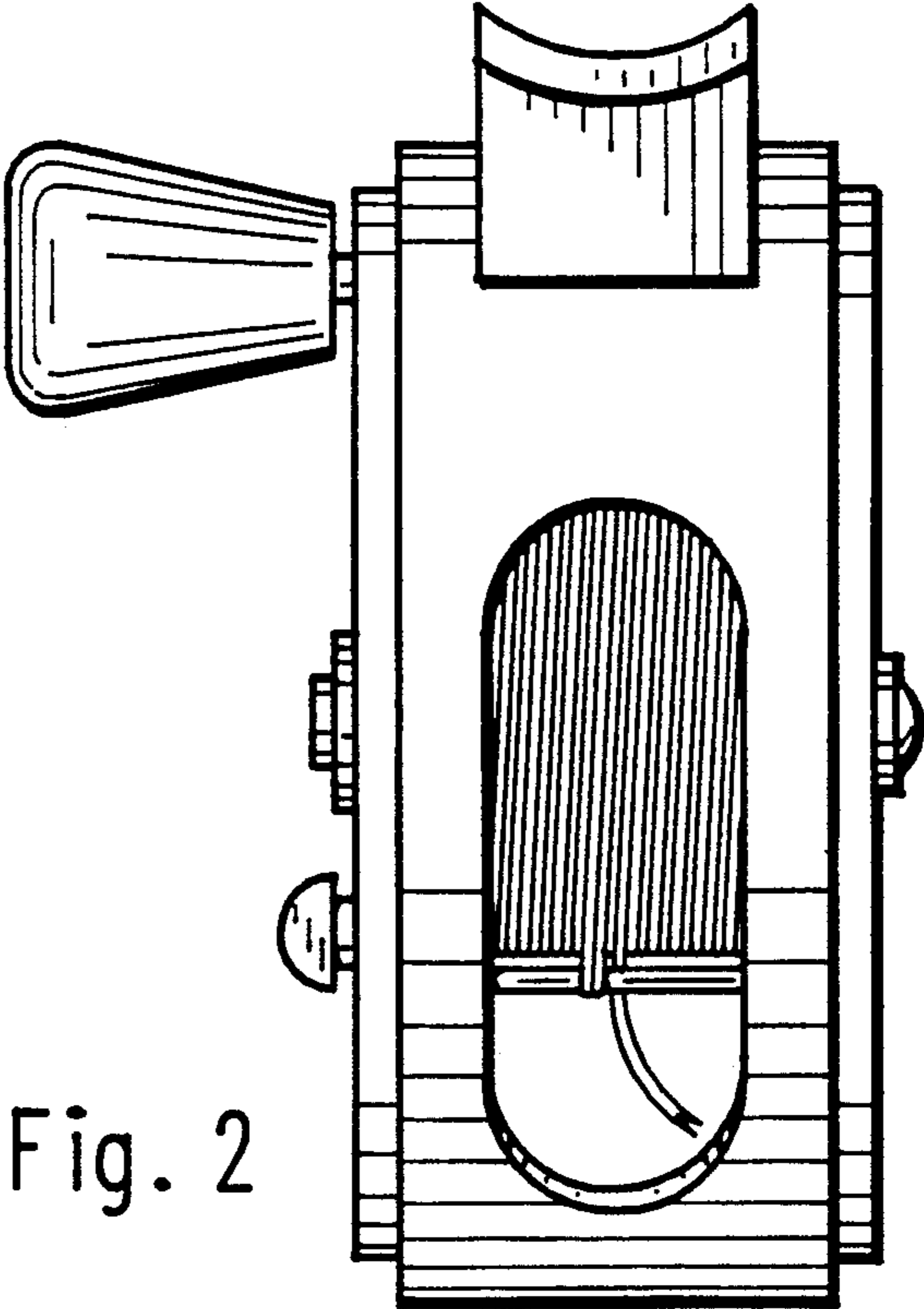


Fig. 2

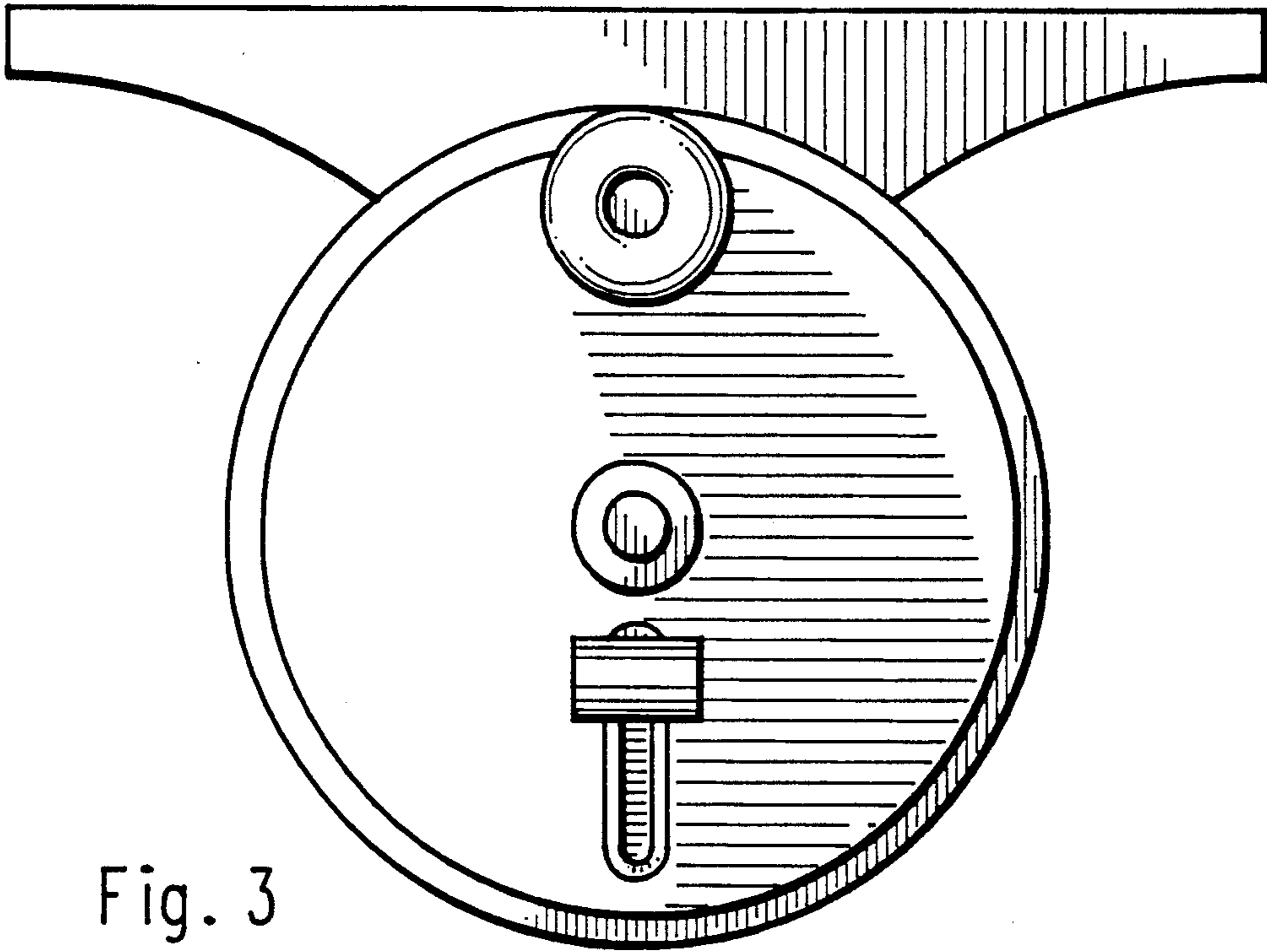


Fig. 3

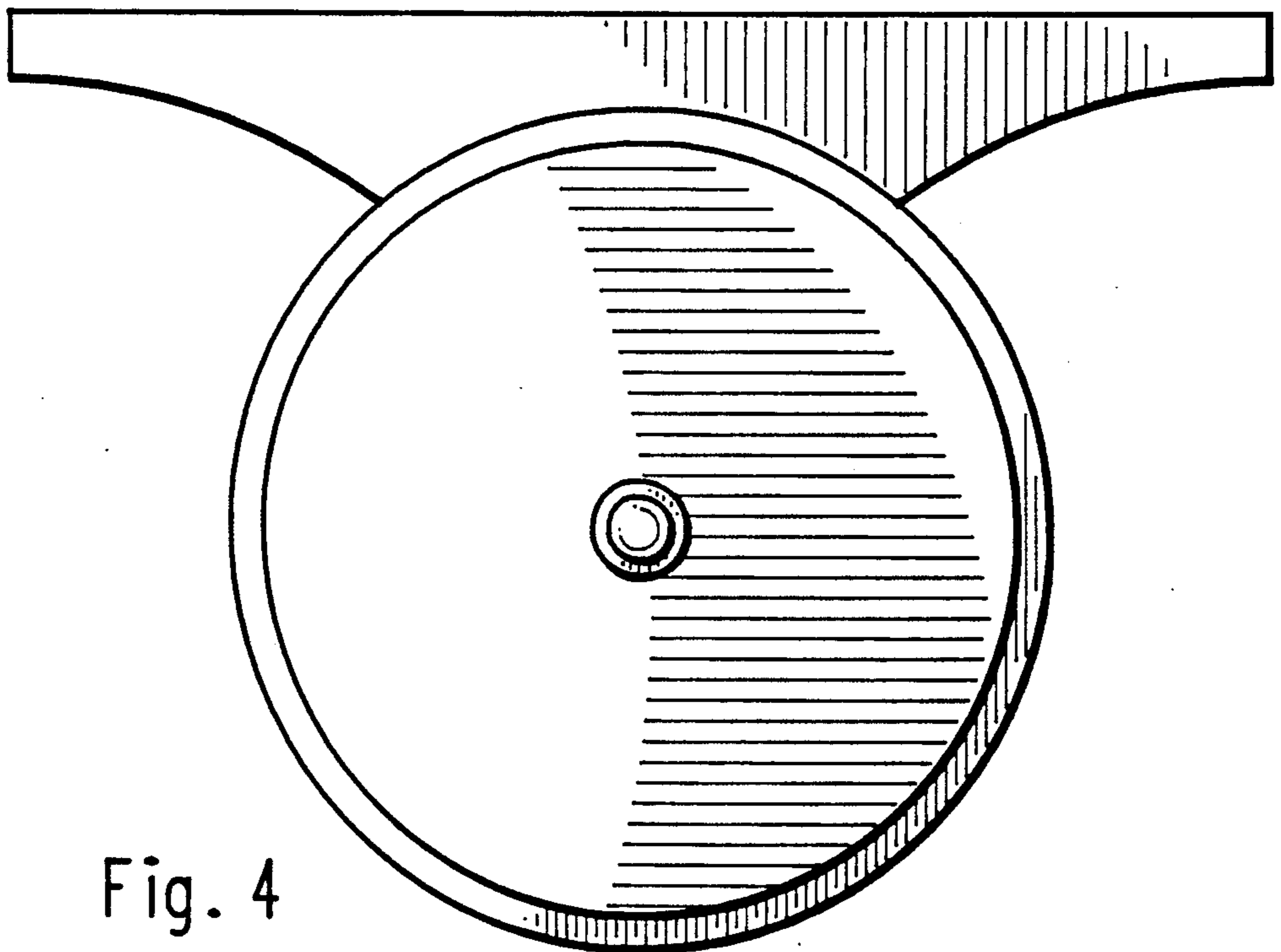


Fig. 4

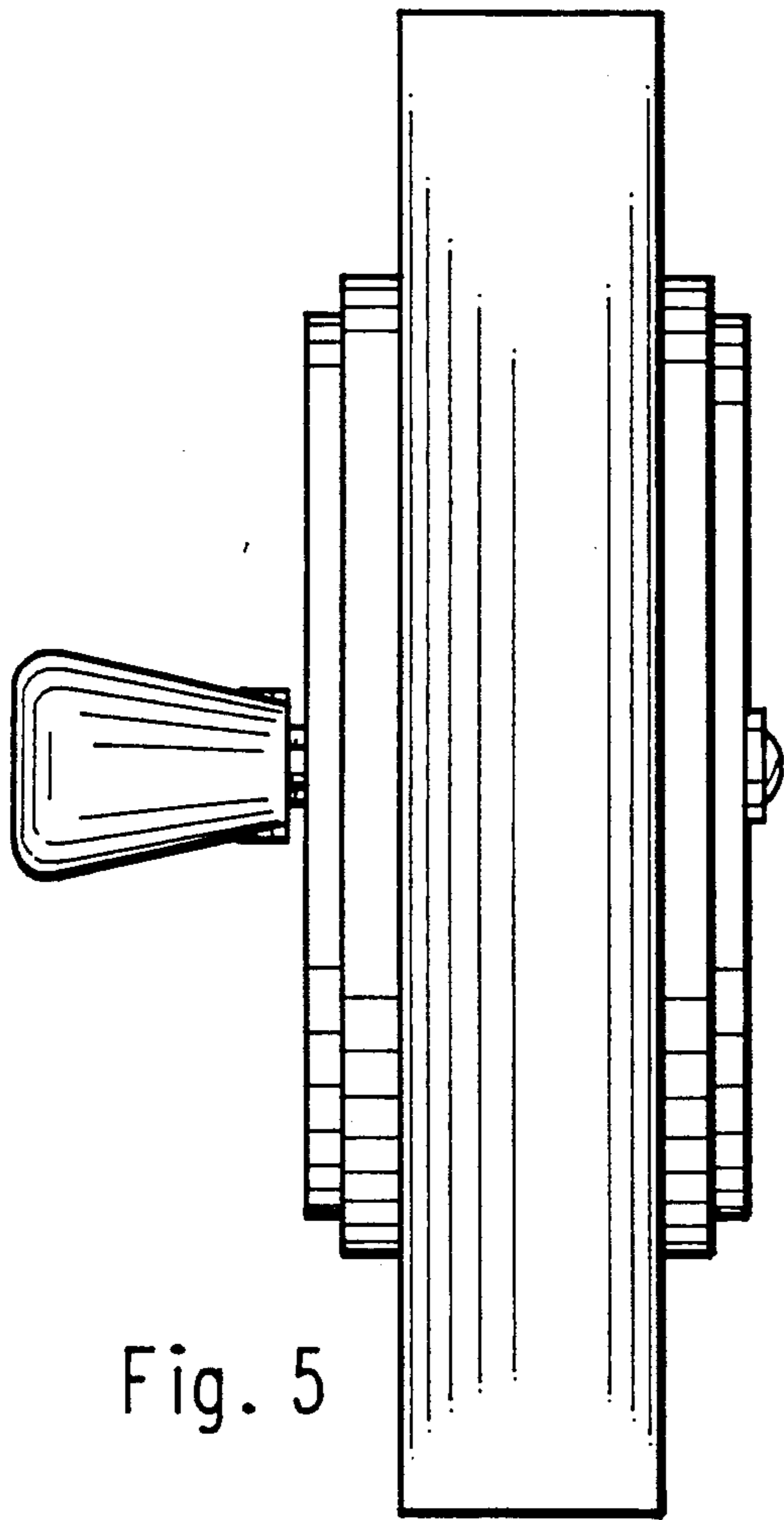


Fig. 5

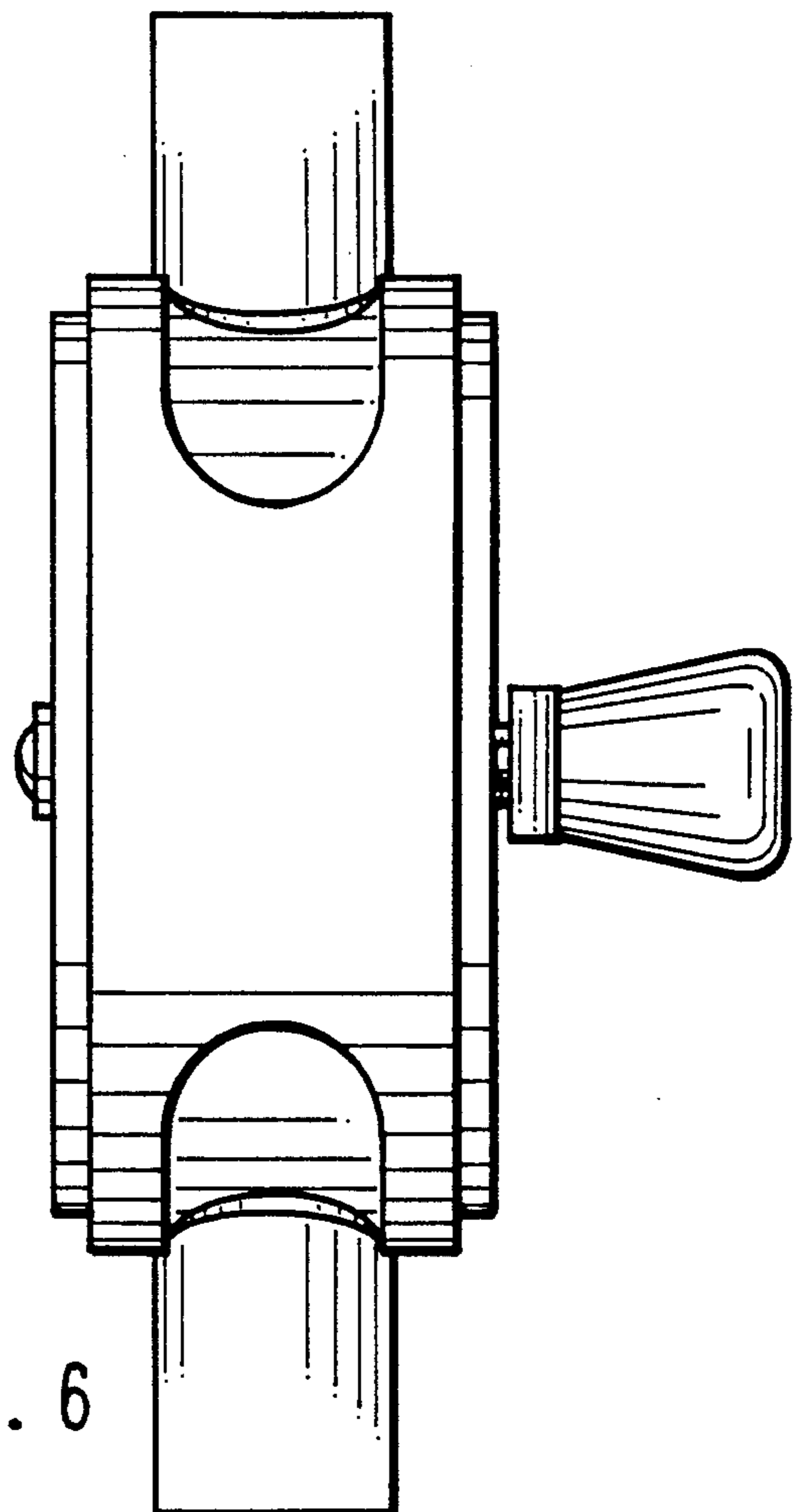


Fig. 6