



US00D324250S

# United States Patent [19]

[11] Patent Number: **Des. 324,250**

**Magness**

[45] Date of Patent: **\*\* Feb. 25, 1992**

[54] **GOLF PUTTER**

D. 317,035 5/1991 Pelz ..... D21/219

[76] Inventor: **W. Bonham Magness, 902  
Frostwood, Suite 300, Houston, Tex.  
77024-2442**

*Primary Examiner*—Melvin B. Feifer  
*Attorney, Agent, or Firm*—Matthews and Associates

[\*\*] Term: **14 Years**

[57] **CLAIM**

The ornamental design for a golf putter, as shown and described.

[21] Appl. No.: **673,503**

[22] Filed: **Mar. 22, 1991**

**DESCRIPTION**

[52] U.S. Cl. .... **D21/219**

FIG. 1 is a top front perspective view of a golf putter showing my new design;

[58] Field of Search ..... **D21/214-220;  
273/167-175, 164**

FIG. 2 is an enlarged fragmentary front elevational view of the putter head;

FIG. 3 is a rear elevational view of FIG. 2;

FIG. 4 is a top plan view of FIG. 2; and

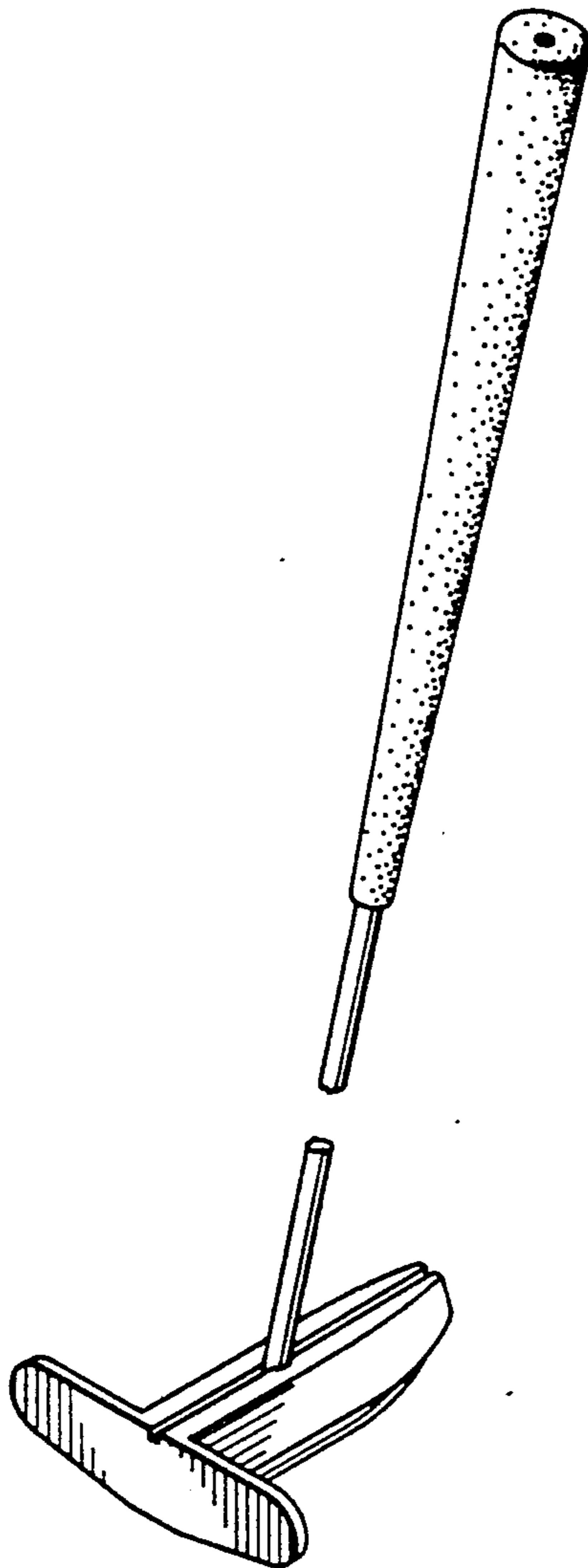
FIG. 5 is a side elevational view of the putter head with the hosel shown in an alternate embodiment of the standard goose-neck form.

The shaft is shown fragmented in FIG. 1 for ease of illustration.

[56] **References Cited**

**U.S. PATENT DOCUMENTS**

- D. 196,736 10/1963 DeCarlo ..... D21/217
- D. 228,003 7/1973 Warner ..... D21/219
- D. 228,929 10/1973 Hoglund ..... D21/219
- D. 229,204 11/1973 Romero ..... D21/219
- D. 269,537 6/1983 Tucker ..... D21/219



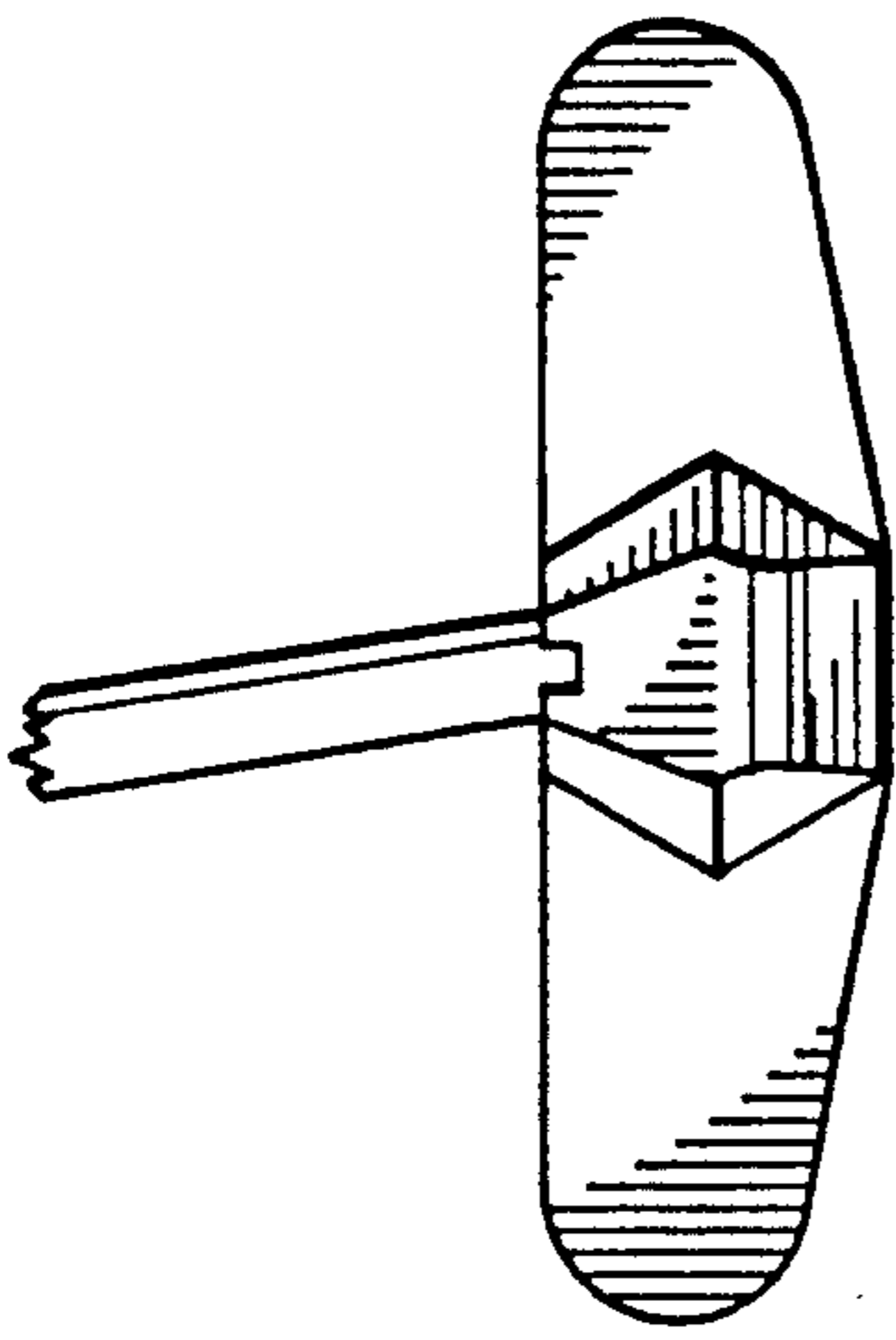


FIG. 3

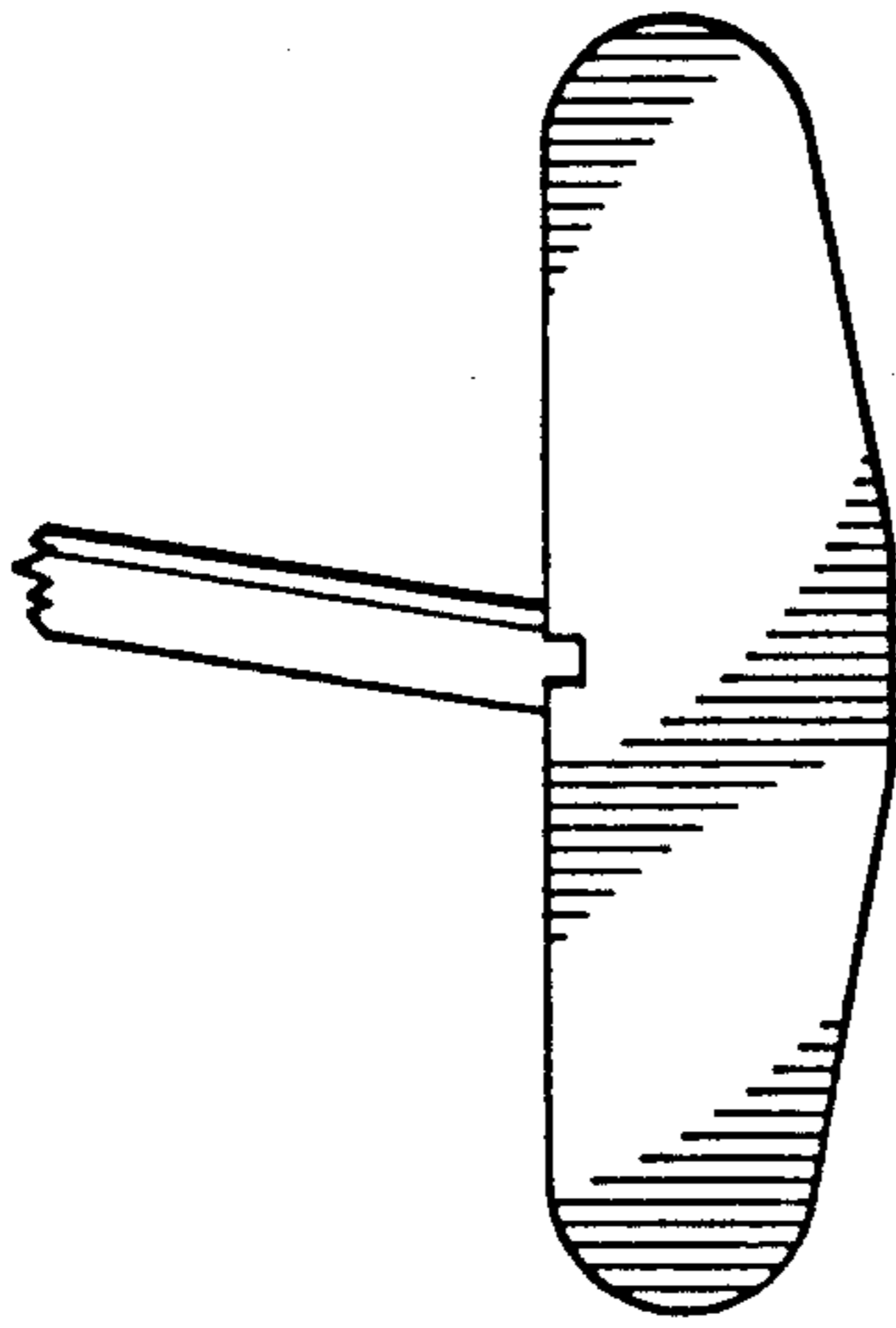


FIG. 2

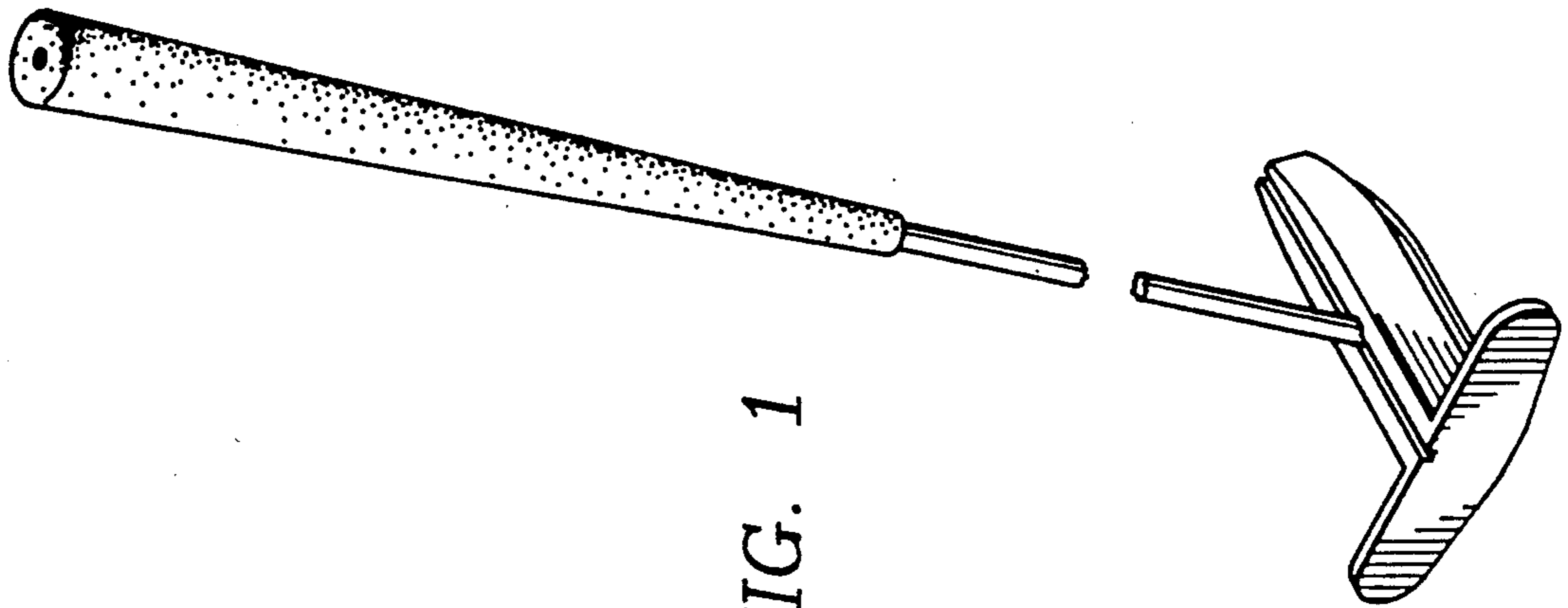


FIG. 1

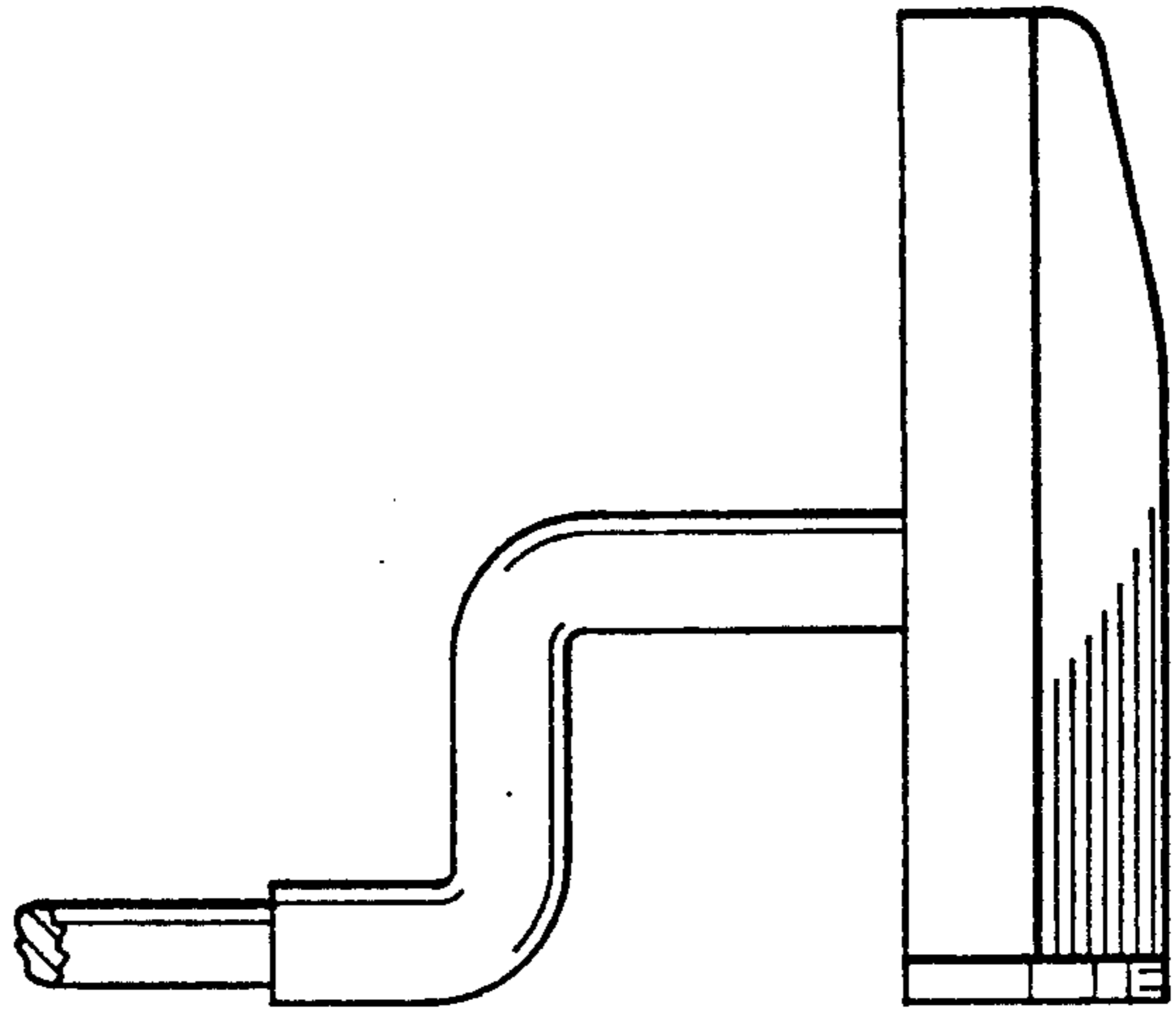


FIG. 5

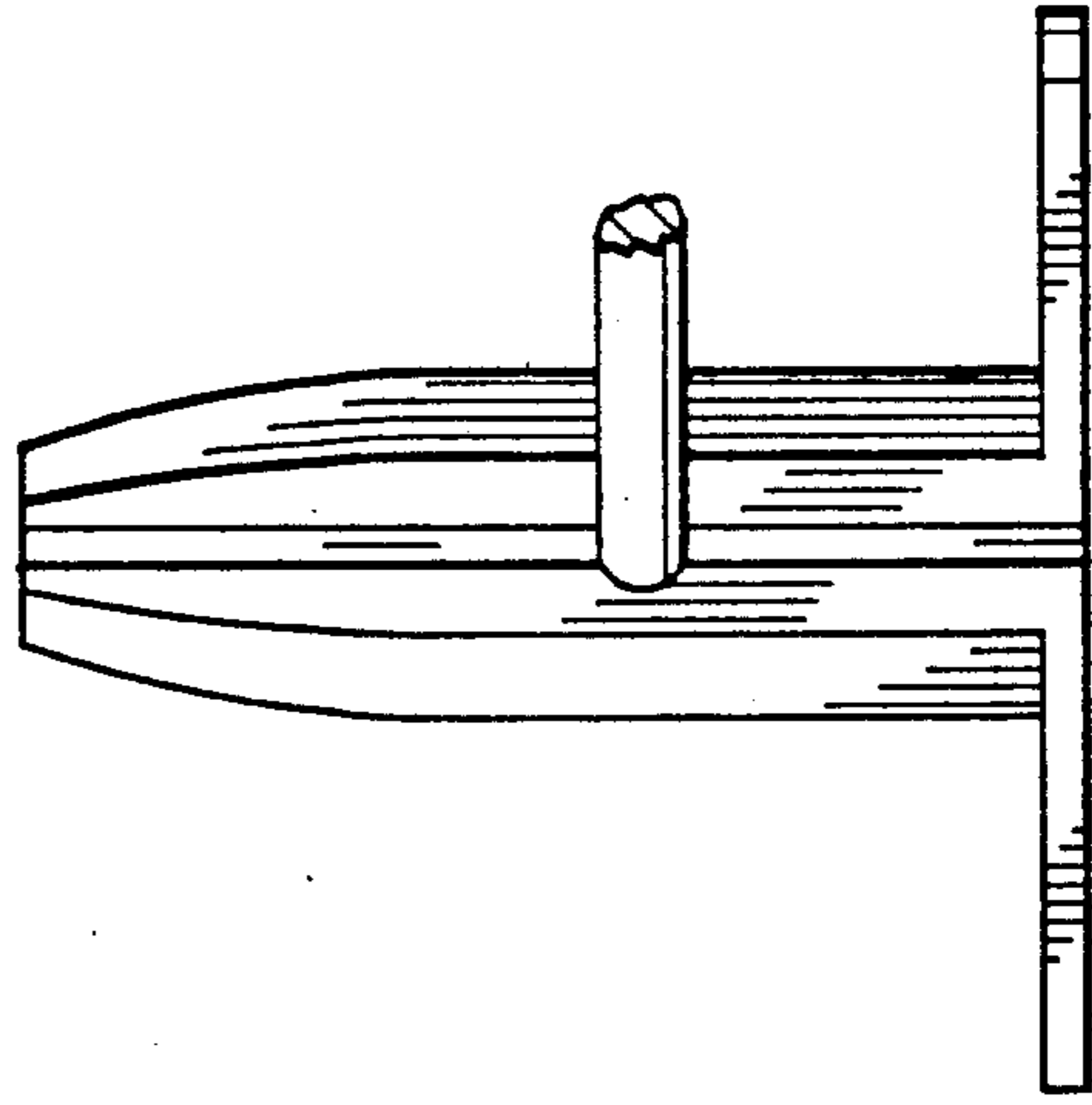


FIG. 4