



US00D324233S

United States Patent [19]

[11] Patent Number: **Des. 324,233**

Sawa et al.

[45] Date of Patent: **** Feb. 25, 1992**

[54] **PRINTER**

D. 308,695 6/1990 Eto et al. D18/13

[75] Inventors: **Shuzo Sawa; Mikio Kosako**, both of Osaka, Japan

OTHER PUBLICATIONS

Genicom 5010 brochure; p. 5.
Canon LBP-8II Laser Beam Printer brochure; 1987; cover photo.

[73] Assignee: **Sharp Corporation**, Osaka, Japan

Primary Examiner—A. Hugo Word
Assistant Examiner—Cathy Anne MacCormac
Attorney, Agent, or Firm—Flehr, Hohbach, Test, Albritton & Herbert

[**] Term: **14 Years**

[21] Appl. No.: **403,150**

[22] Filed: **Sep. 5, 1989**

[57] CLAIM

The ornamental design for a printer, as shown and described.

[30] Foreign Application Priority Data

Jun. 3, 1989 [JP] Japan 1-8302

[52] U.S. Cl. **D18/54**

[58] Field of Search D14/111, 118; D18/13, D18/34, 36; 400/613, 613.2, 613.3, 613.4, 691-694; 364/708

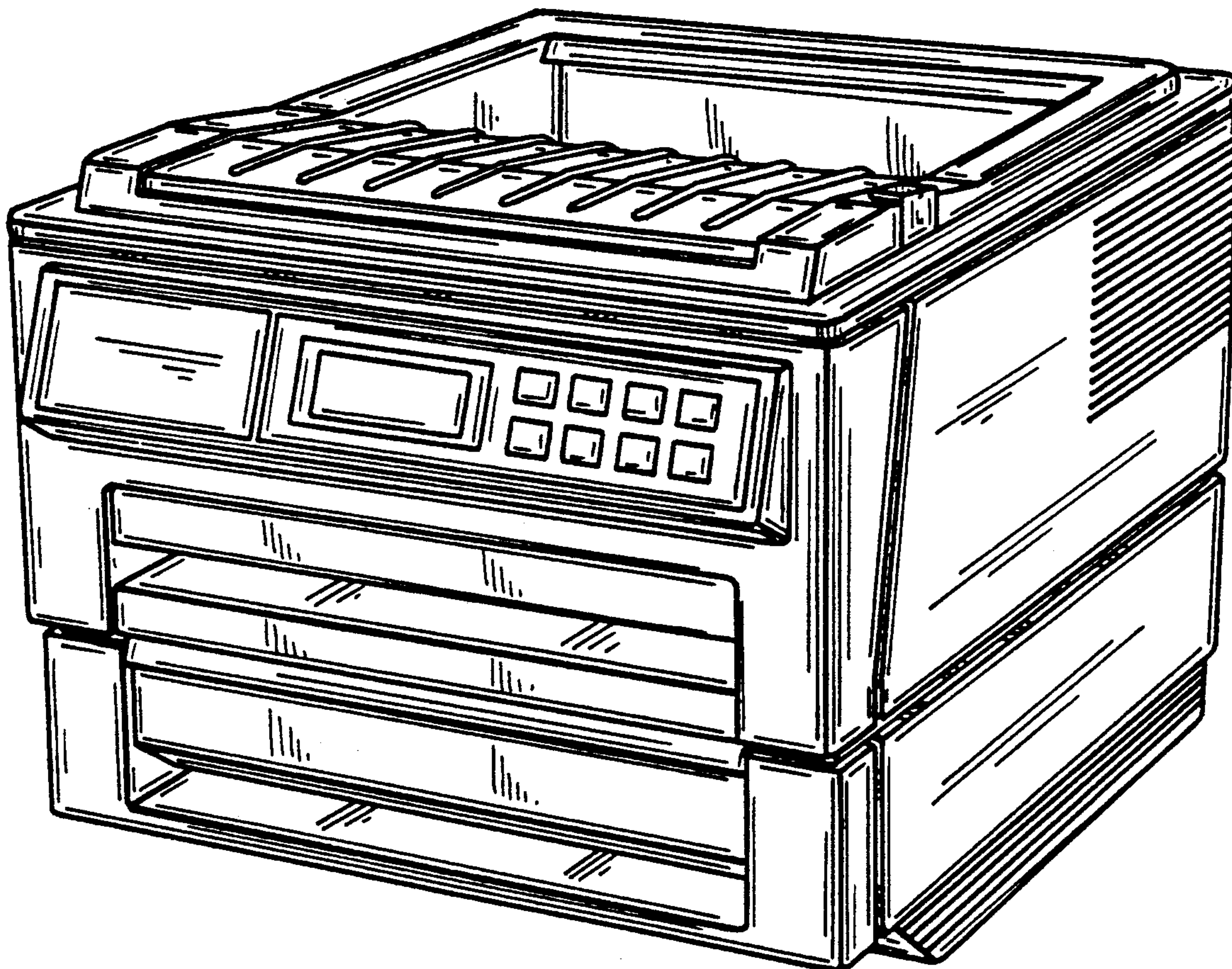
DESCRIPTION

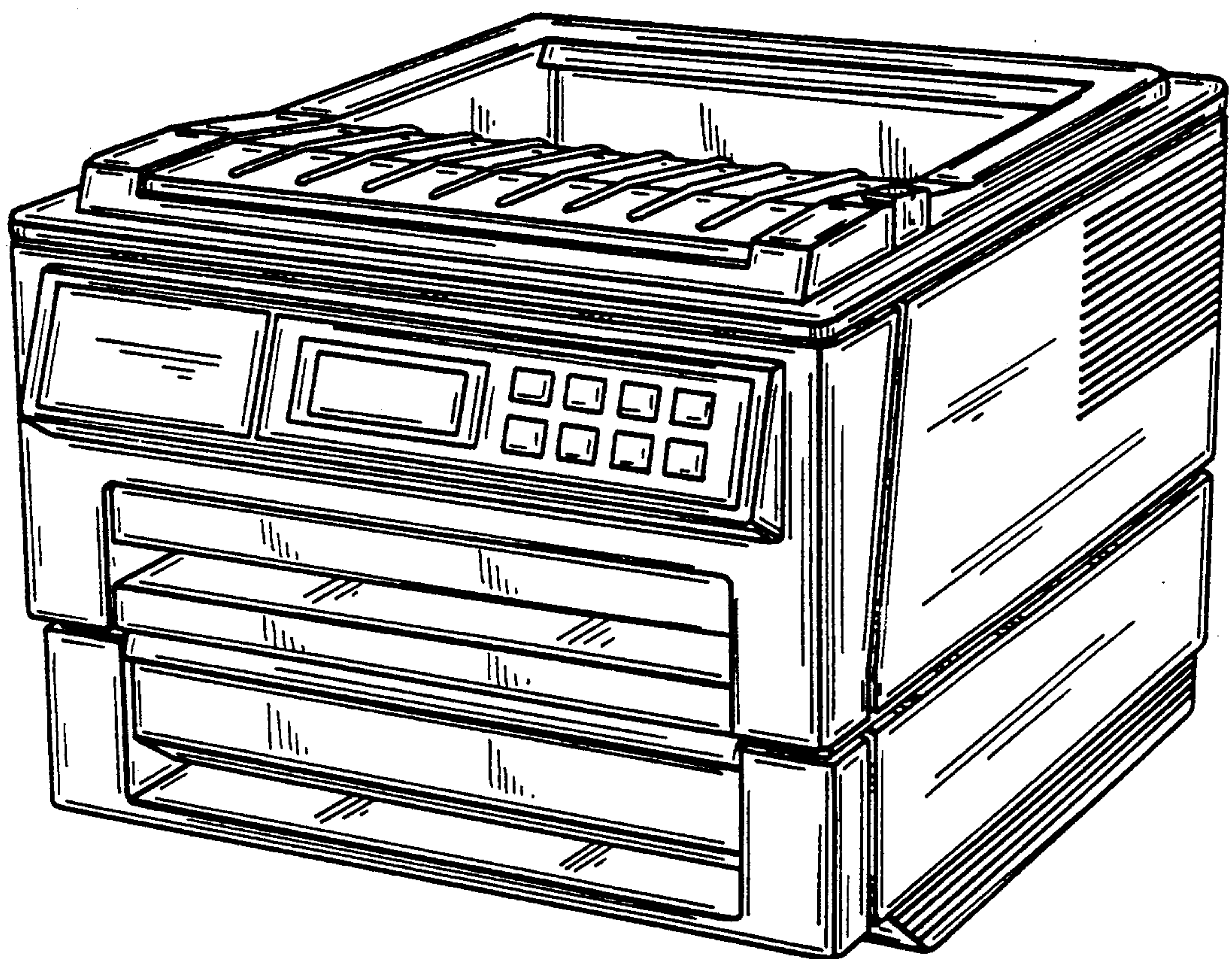
FIG. 1 is a perspective view of a printer taken from the top, front and right side showing our new design; FIG. 2 is a top plan view thereof; FIG. 3 is a bottom plan view thereof; FIG. 4 is a front elevational view thereof; FIG. 5 is a rear elevational view thereof; FIG. 6 is a right side elevational view thereof; and FIG. 7 is a left side elevational view thereof.

[56] References Cited

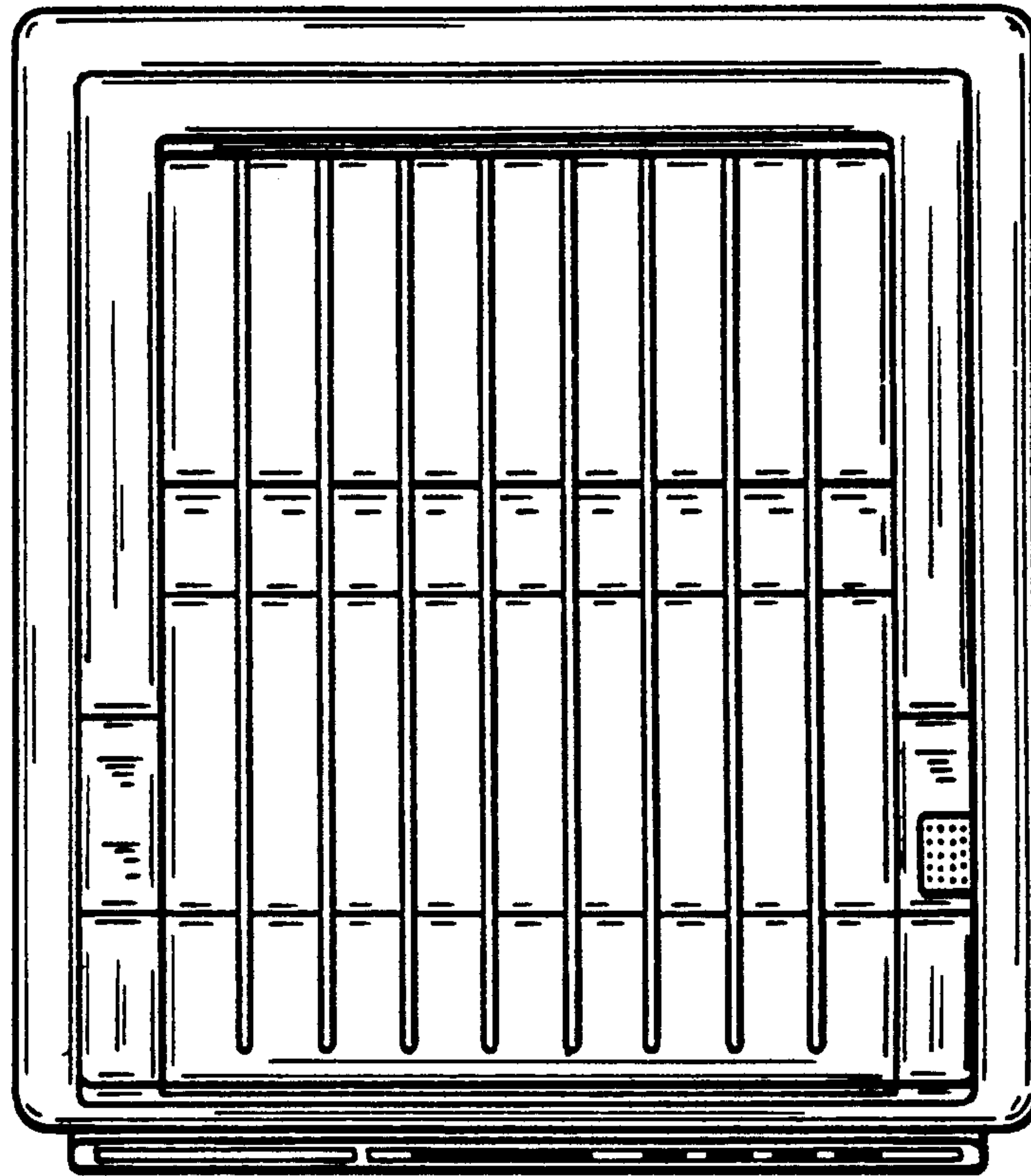
U.S. PATENT DOCUMENTS

D. 291,095 7/1987 Morozumi et al. D18/13
D. 293,247 12/1987 Nakade D14/111
D. 306,744 3/1990 Yomo D18/13

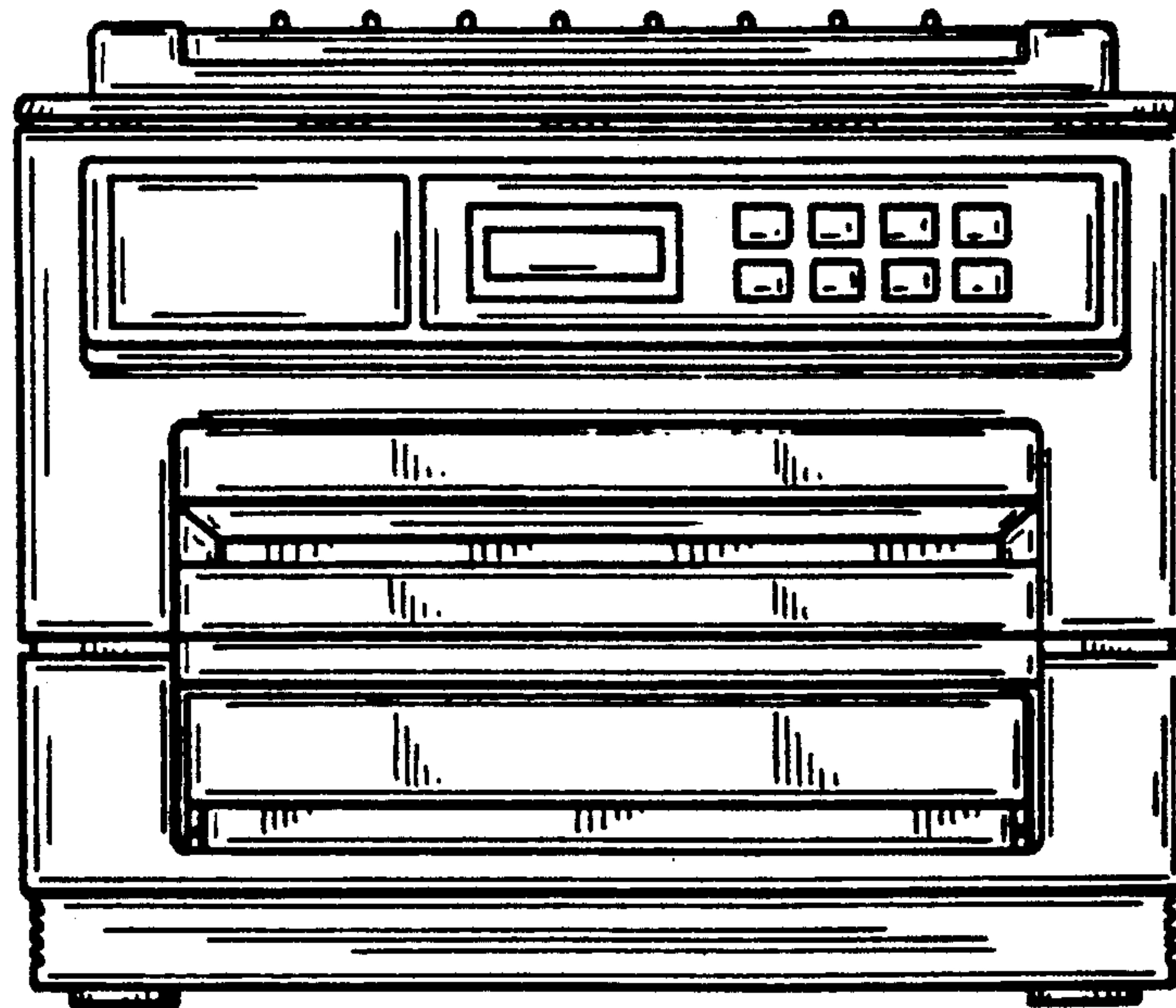




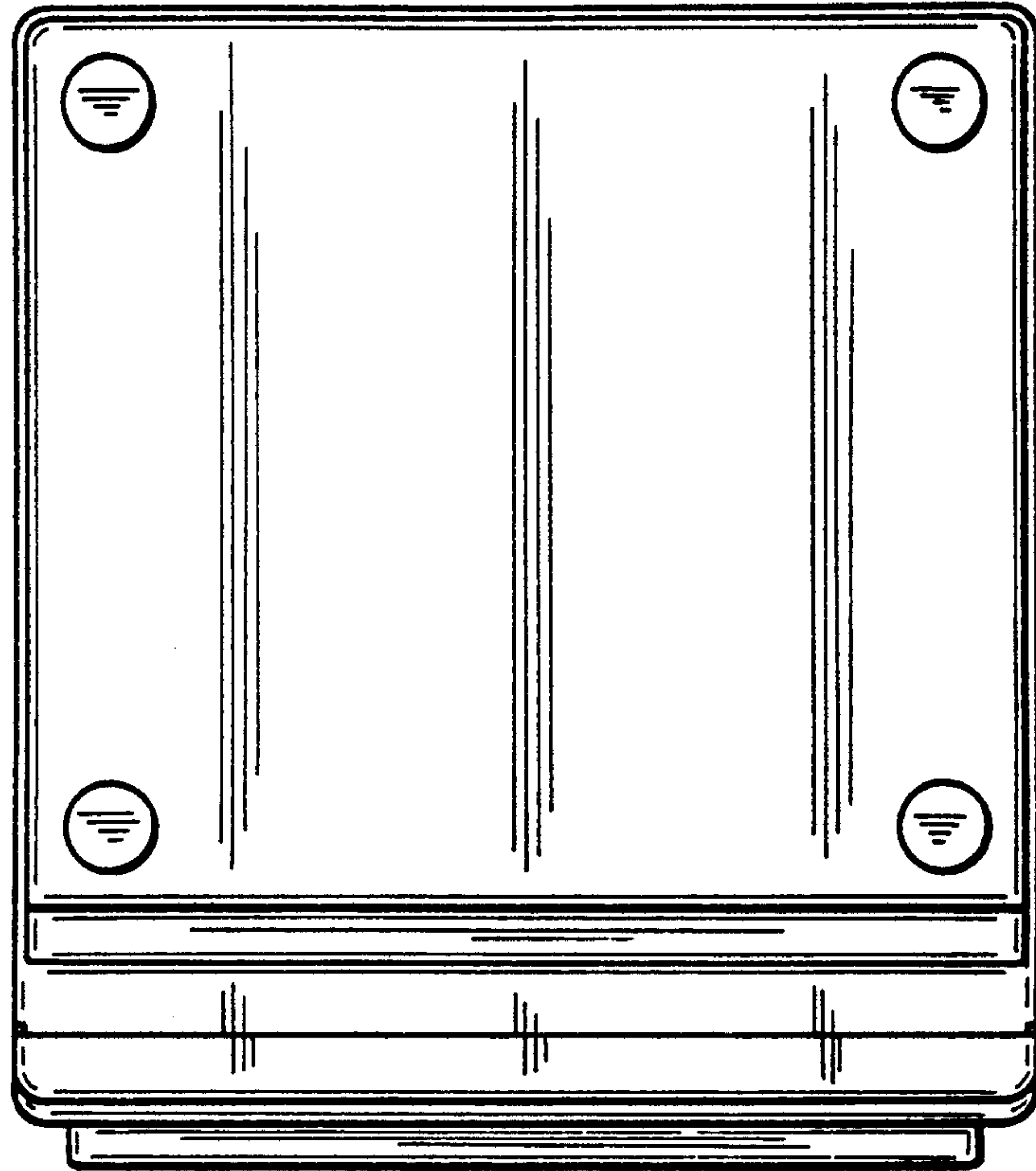
FIG_1



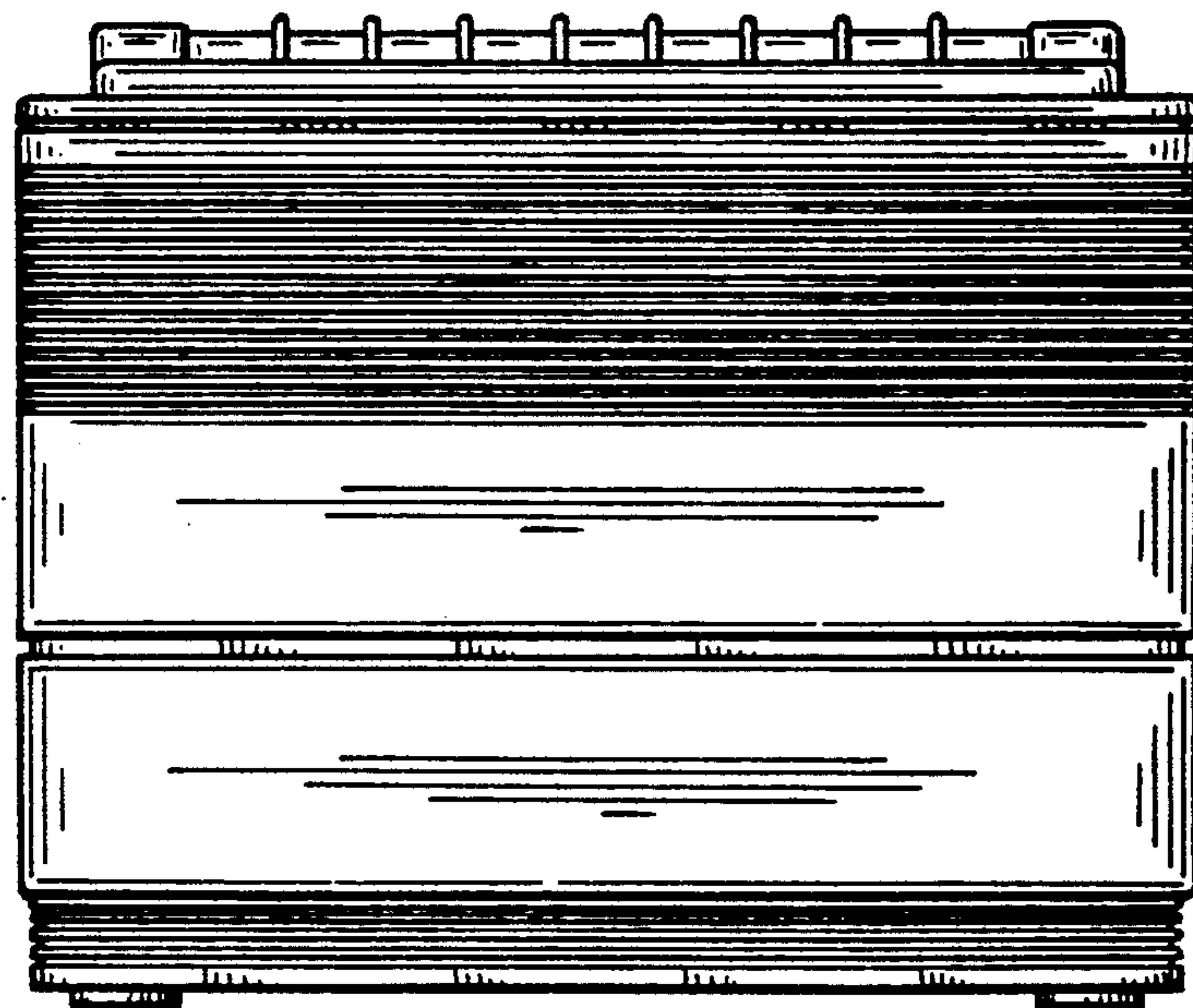
FIG_2



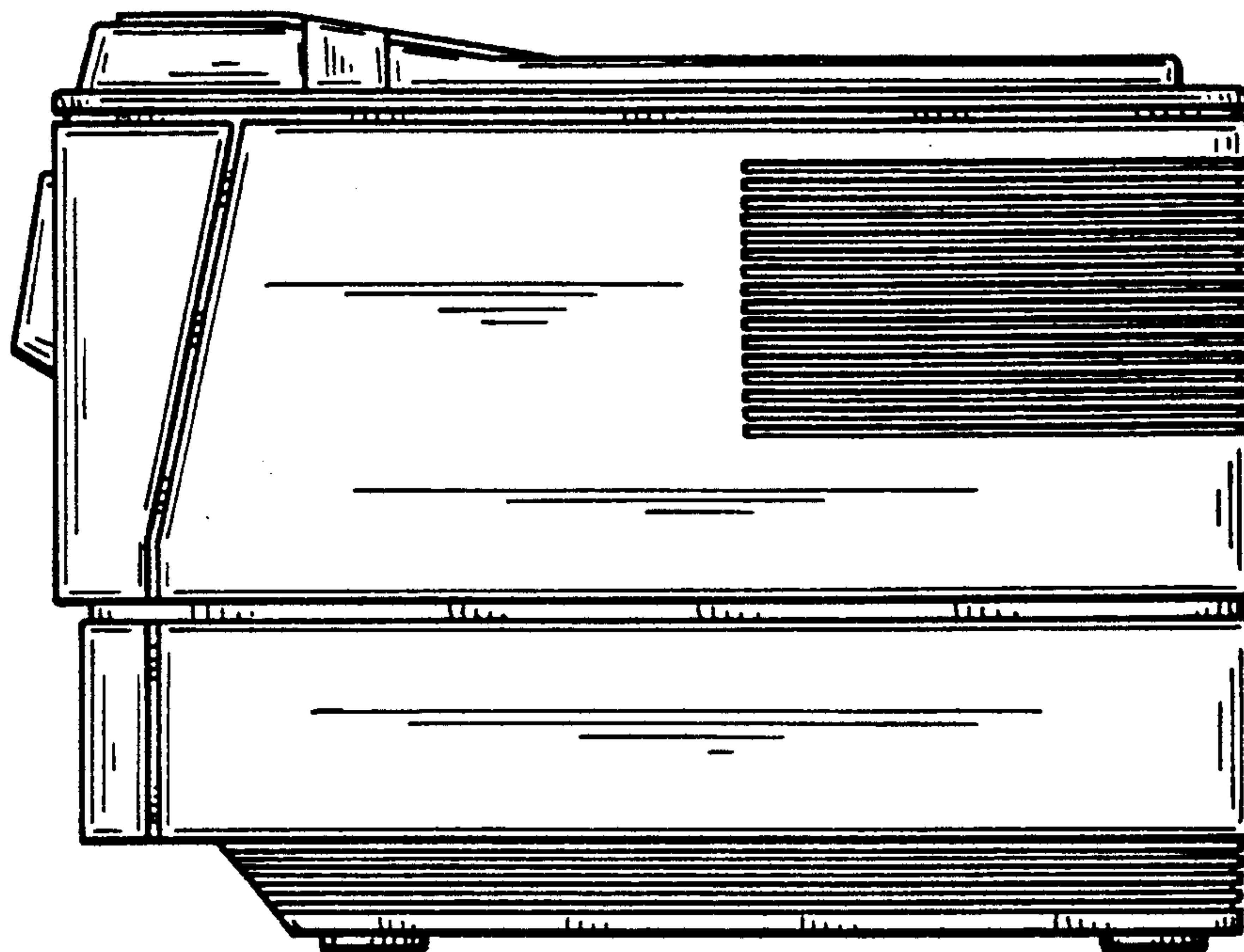
FIG_4



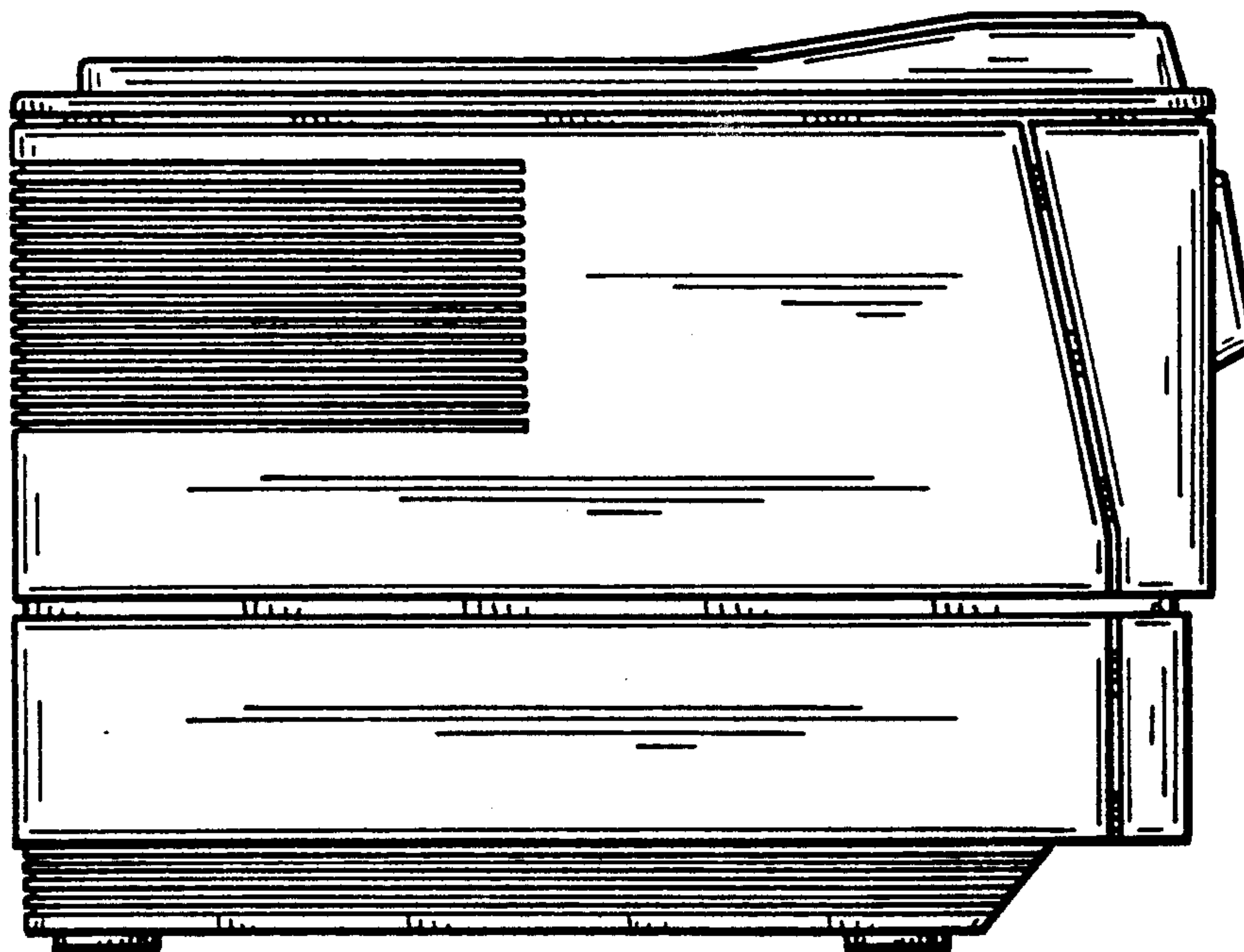
FIG_3



FIG_5



FIG_6



FIG_7