



US00D324232S

United States Patent [19]

[11] Patent Number: **Des. 324,232**

Ronzani

[45] Date of Patent: **** Feb. 25, 1992**

[54] LASER BEAM PRINTER

[75] Inventor: **Peter A. Ronzani**, Los Gatos, Calif.

[73] Assignees: **Vistron, Inc.**, Cupertino, Calif.;
Matsushita Kotobuki Electronics Industries Ltd., Takamatsu, Japan

[**] Term: **14 Years**

[21] Appl. No.: **607,066**

[22] Filed: **Oct. 31, 1990**

[52] U.S. Cl. **D18/55**

[58] Field of Search **D18/13, 36-39;**
D14/111, 106; 400/613, 613.1-613.4, 691-694;
101/9, 130, 420

[56] References Cited

U.S. PATENT DOCUMENTS

- D. 281,256 11/1985 Yamamoto D18/37
- D. 291,095 7/1987 Morozumi et al. D18/13
- D. 317,784 6/1991 Kakiuchi et al. D18/13

FOREIGN PATENT DOCUMENTS

- 5823070 8/1985 Japan .
- 5840841 8/1985 Japan .
- 694446 12/1986 Japan D18/13
- 61-35358 7/1988 Japan .
- 6050796 7/1988 Japan .

OTHER PUBLICATIONS

Canon LBP-8II Laser Beam Printer brochure; cover photo.

Canon FAX-730 brochure.

Genicom 1000 series desktop Martrix Printer brochure. Interface Systems, Inc. brochure; ISI Laser 8 Printer; top left photo, 1985.

Primary Examiner—A. Hugo Ward

Assistant Examiner—Cathy Anne MacCormac

Attorney, Agent, or Firm—Stevens, Davis, Miller & Mosher

[57] CLAIM

The ornamental design for a laser beam printer, as shown.

DESCRIPTION

FIG. 1 is a front, top and right side perspective view of a laser beam printer showing my new design; FIG. 2 is a front elevational view thereof showing the lower paper stop extended as seen in FIG. 8; FIG. 3 is a rear elevational view thereof; FIG. 4 is a top plan view thereof with the lower paper stop retracted as seen in FIG. 1; FIG. 5 is a bottom plan view thereof; FIG. 6 is a right side elevational view thereof showing the lower paper stop extended as seen in FIG. 8; FIG. 7 is a left side elevational view thereof showing the lower paper stop extended as seen in FIG. 8; and FIG. 8 is a perspective view showing the paper stops extended.

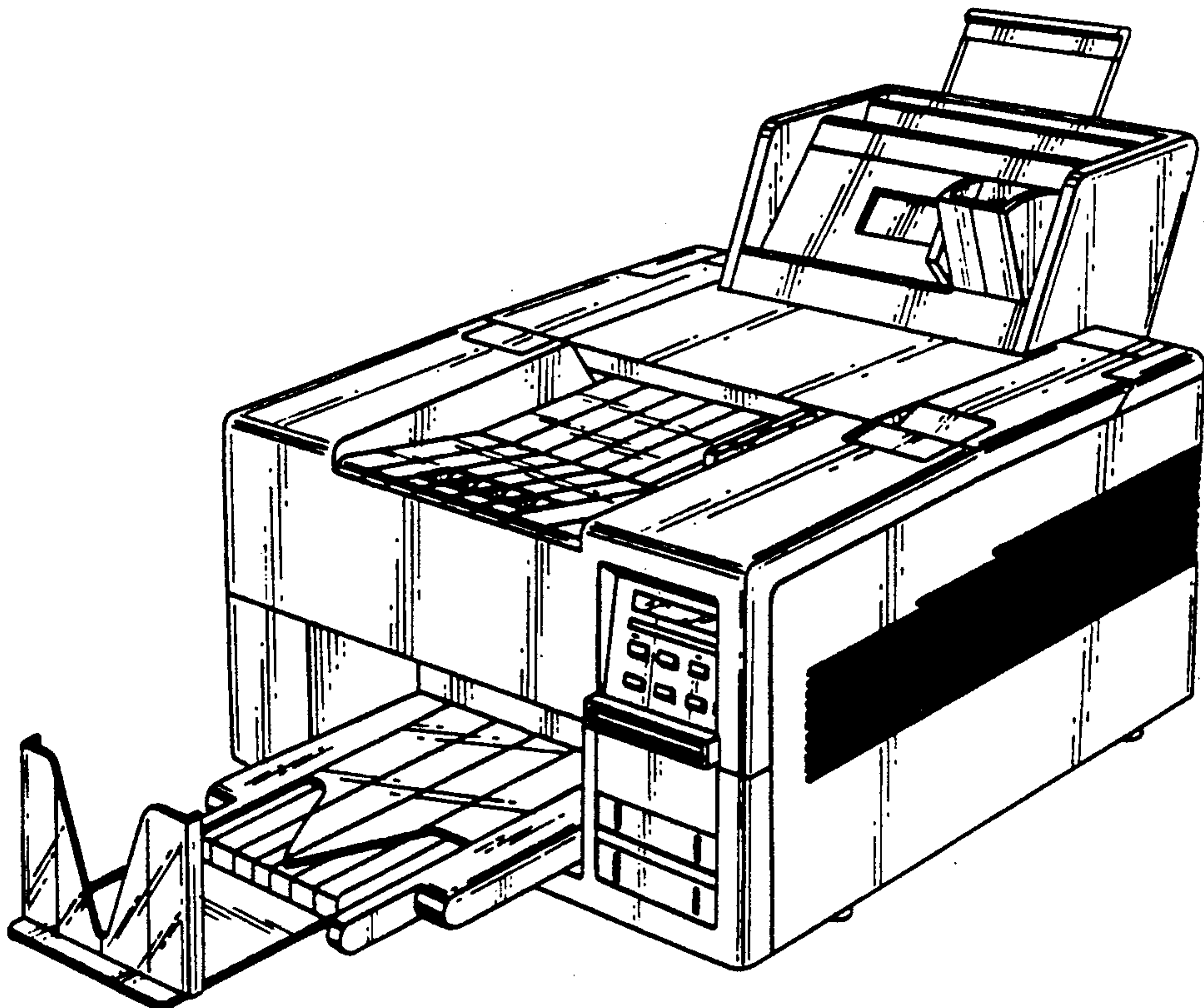


FIG. 1

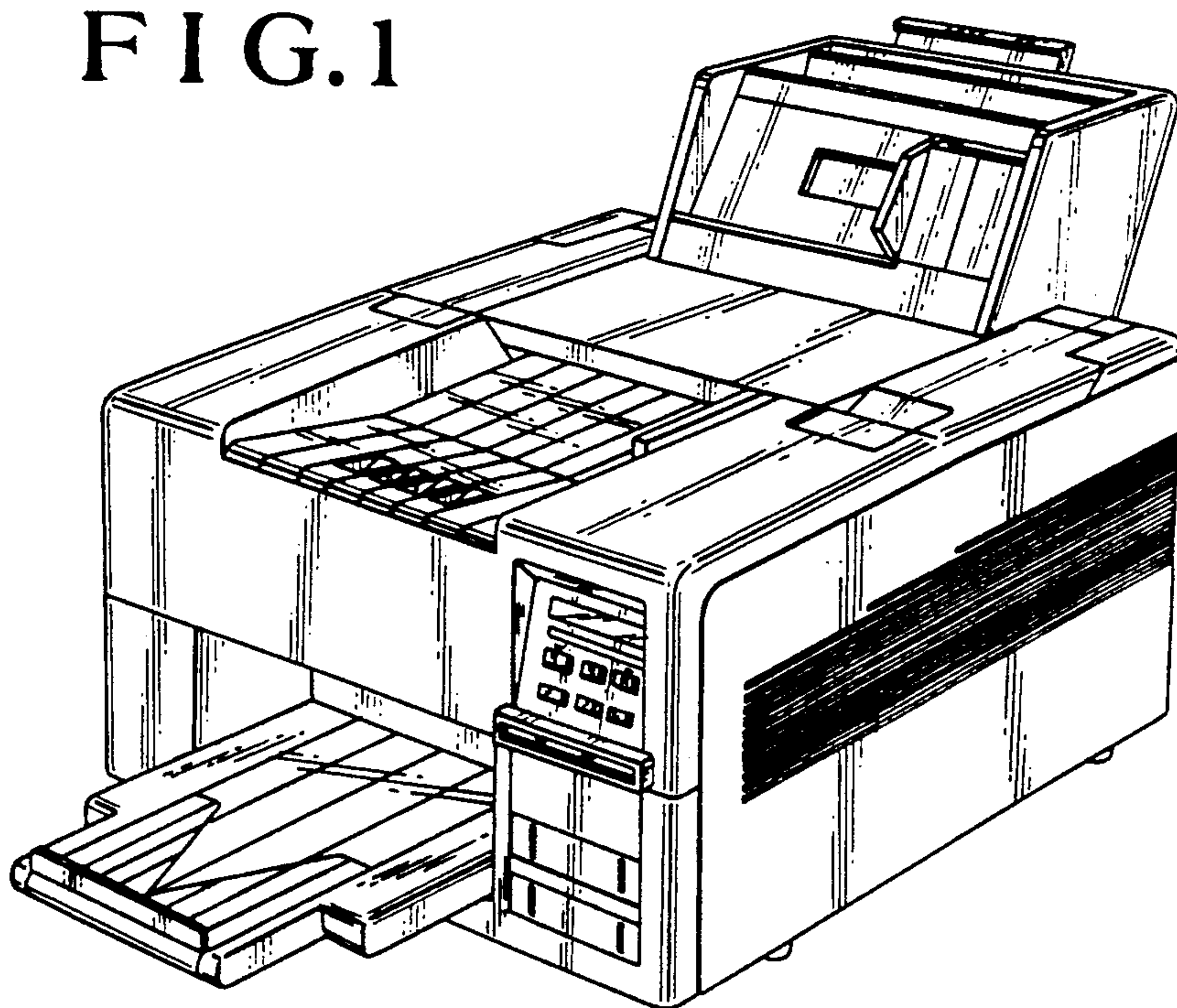


FIG. 2

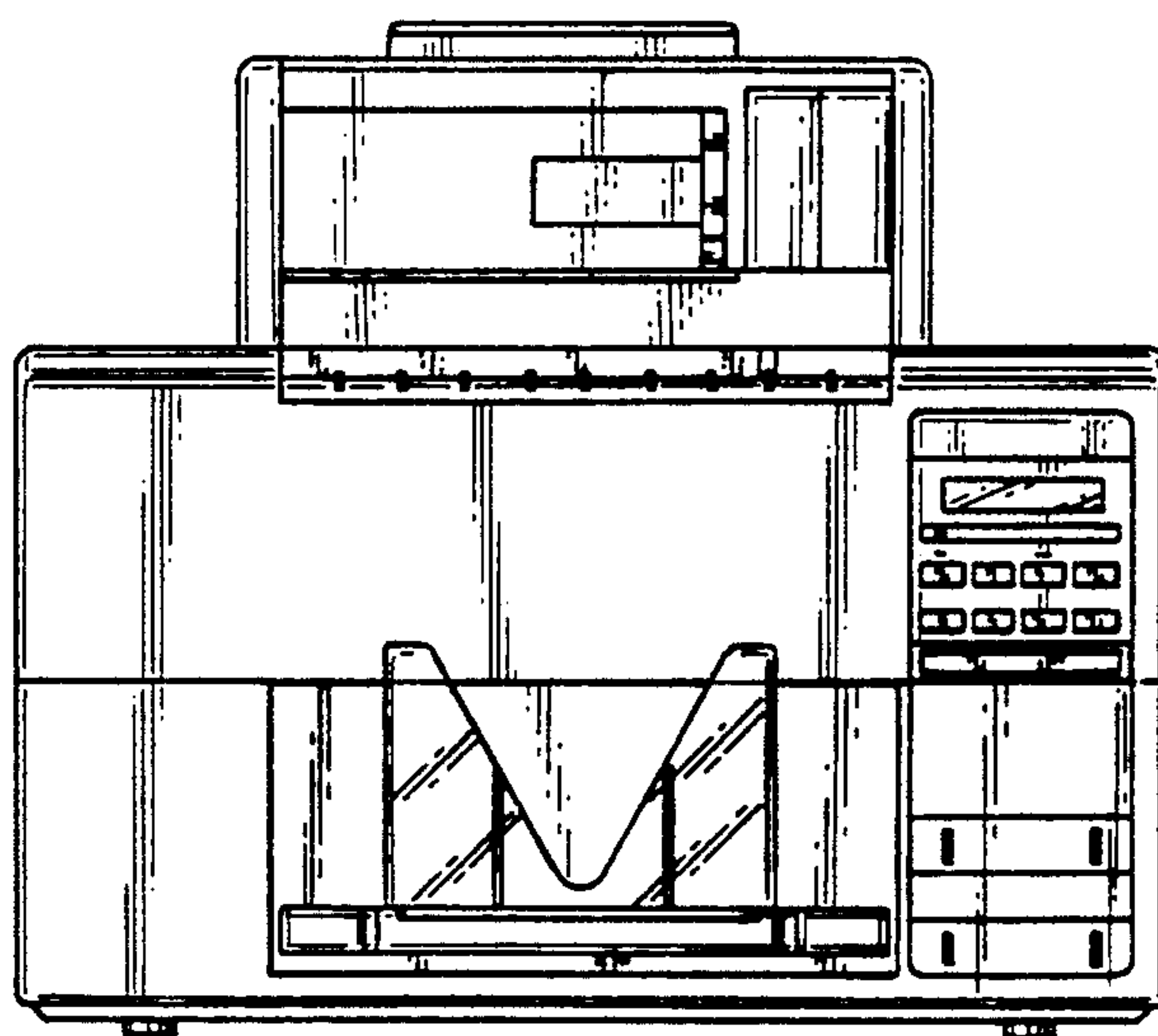


FIG.3

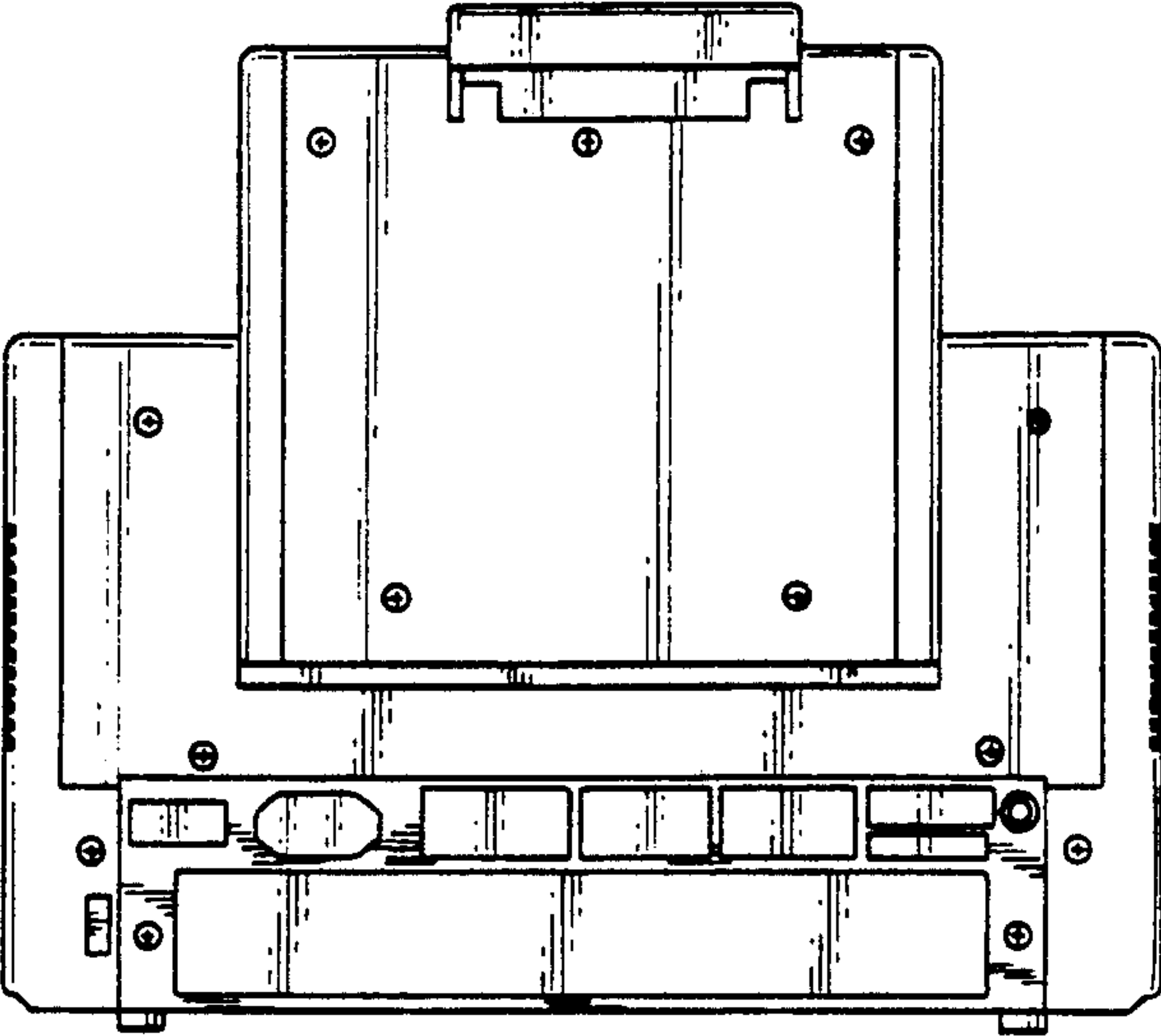


FIG.4

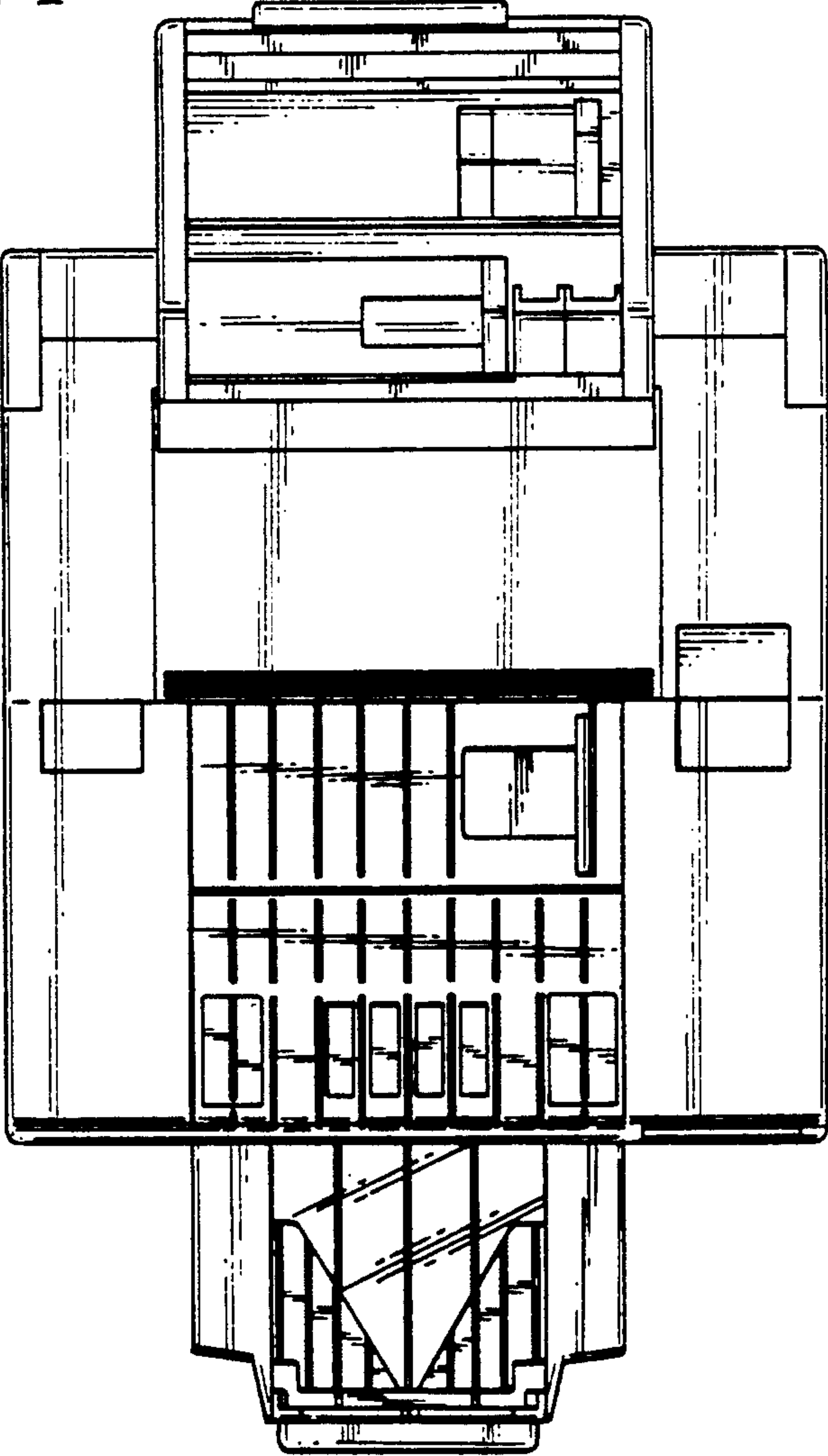


FIG.5

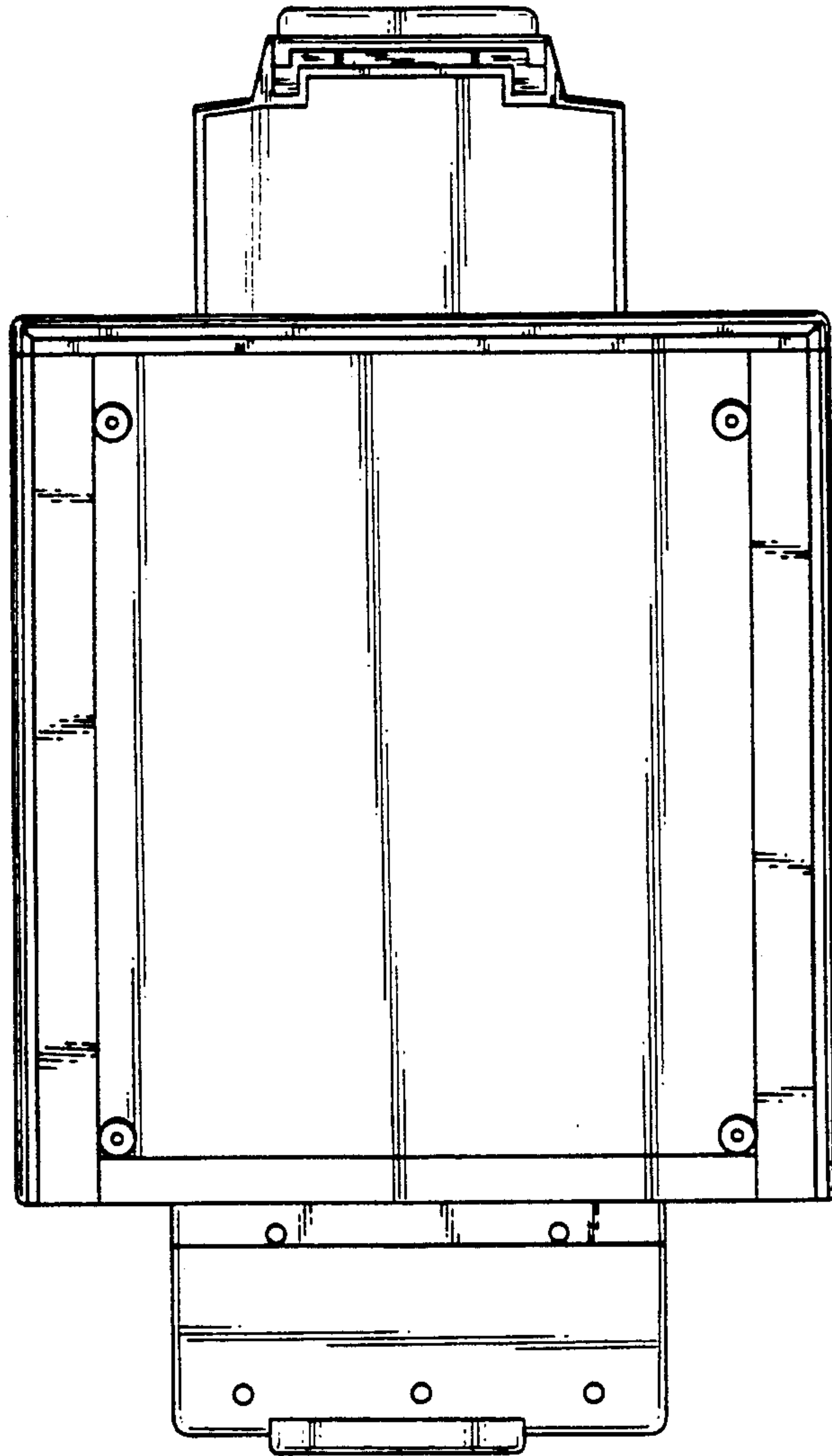


FIG.6

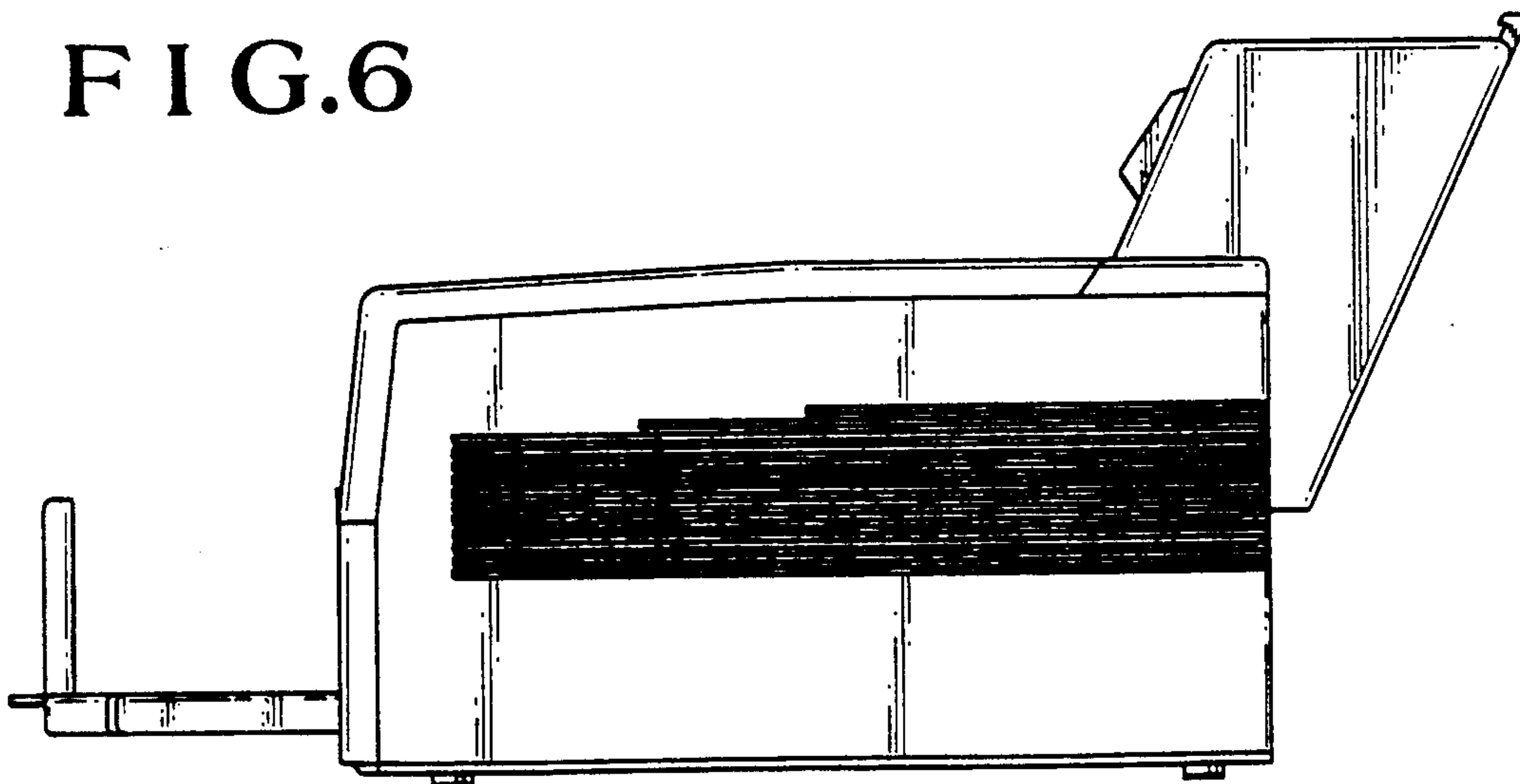


FIG. 7

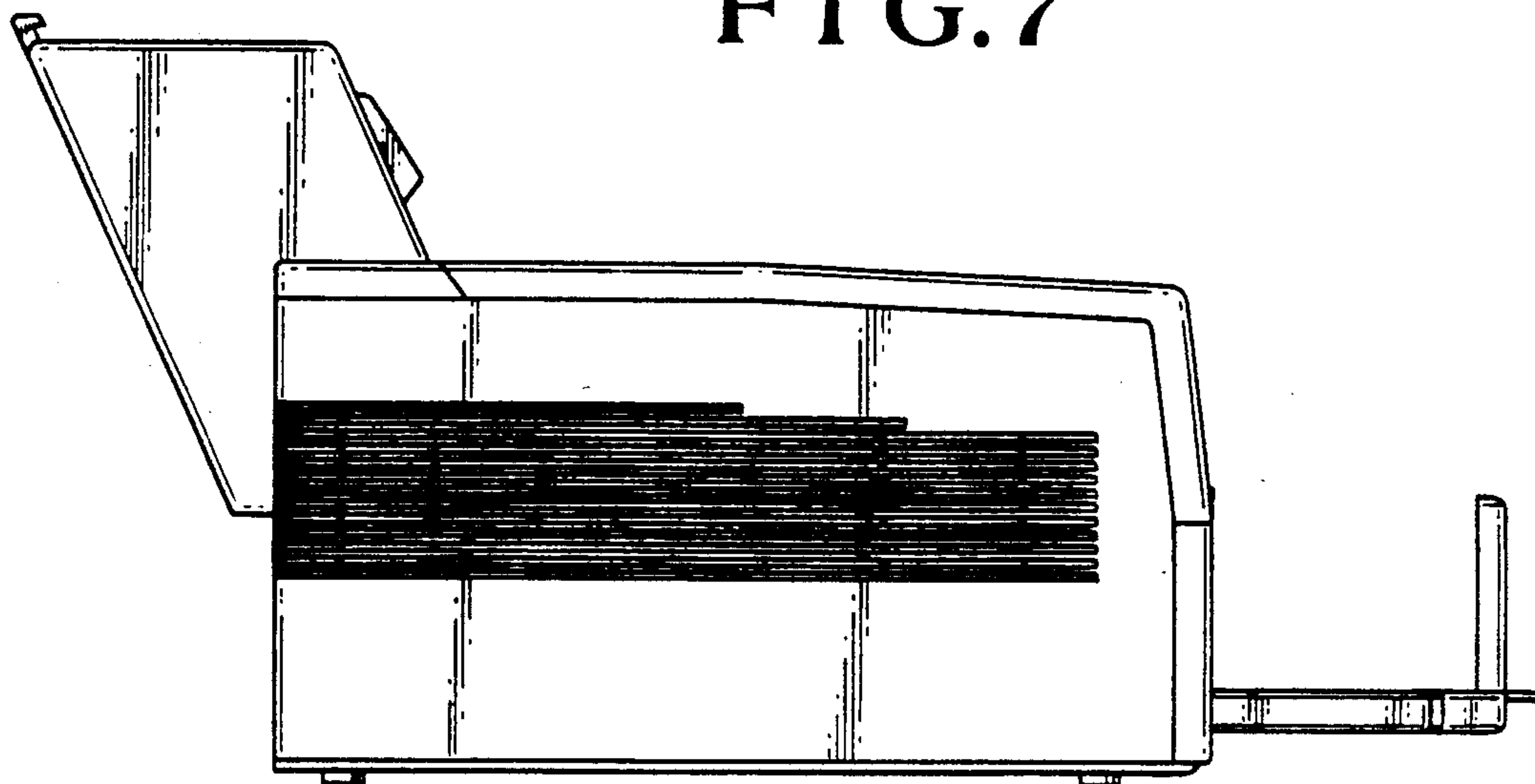


FIG. 8

