



US00D324231S

# United States Patent [19]

[11] Patent Number: Des. 324,231

Mutoh

[45] Date of Patent: \*\* Feb. 25, 1992

## [54] KEY UNIT FOR KEYBOARD MUSICAL INSTRUMENT

[76] Inventor: Noritaka Mutoh, 27-13-603, Sendagaya 4-chome, Shibuya-ku, Tokyo, Japan

[\*\*] Term: 14 Years

[21] Appl. No.: 538,402

[22] Filed: Jun. 13, 1990

[52] U.S. Cl. .... D17/9

[58] Field of Search ..... D17/1, 5, 6, 9, 4, 99; D14/115; 84/423, 428, 433, 434, 436, DIG. 7

### [56] References Cited

#### U.S. PATENT DOCUMENTS

D. 297,430	8/1988	Beard et al. ....	D14/115
D. 310,678	9/1990	Takefuji et al. ....	D17/9
360,255	3/1887	Janko .....	84/428
721,706	3/1903	Huseby .....	84/434
4,124,313	11/1978	Schmidt et al. ....	84/DIG. 7

## FOREIGN PATENT DOCUMENTS

889394 7/1953 Fed. Rep. of Germany ..... 84/423

*Primary Examiner*—Theodore M. Shooman  
*Assistant Examiner*—Adir Aronovich  
*Attorney, Agent, or Firm*—Koda and Androlia

### [57] CLAIM

The ornamental design for key unit for keyboard musical instrument, as shown and described.

### DESCRIPTION

FIG. 1 is a top, rear and right side perspective view of the key unit for keyboard musical instrument showing my new design;

FIG. 2 is a right side elevational view thereof, the left side being a mirror image thereof;

FIG. 3 is a top plan view thereof;

FIG. 4 is a bottom plan view thereof;

FIG. 5 is a front elevational view thereof; and

FIG. 6 is a rear elevational view thereof.

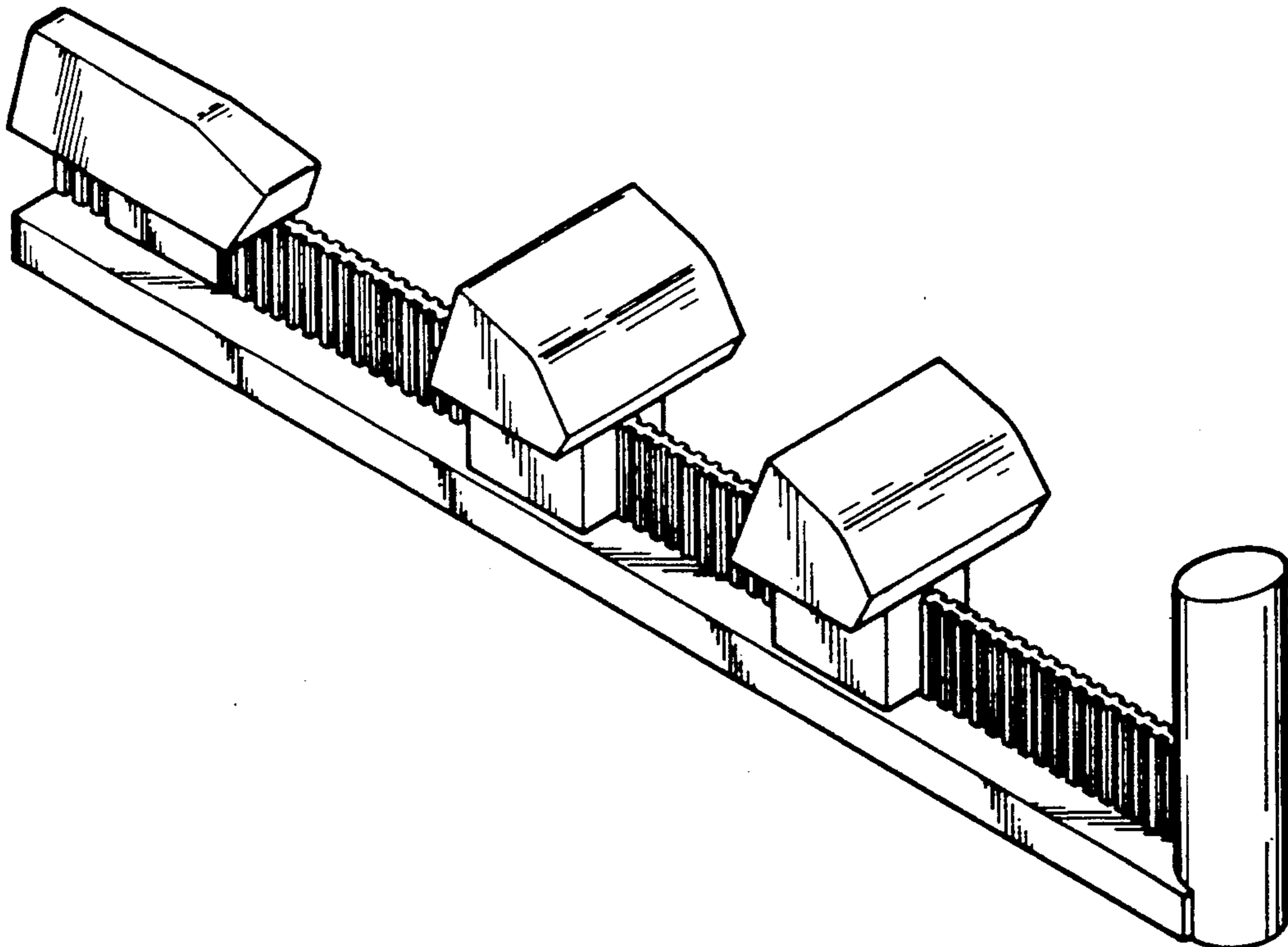


FIG. 1

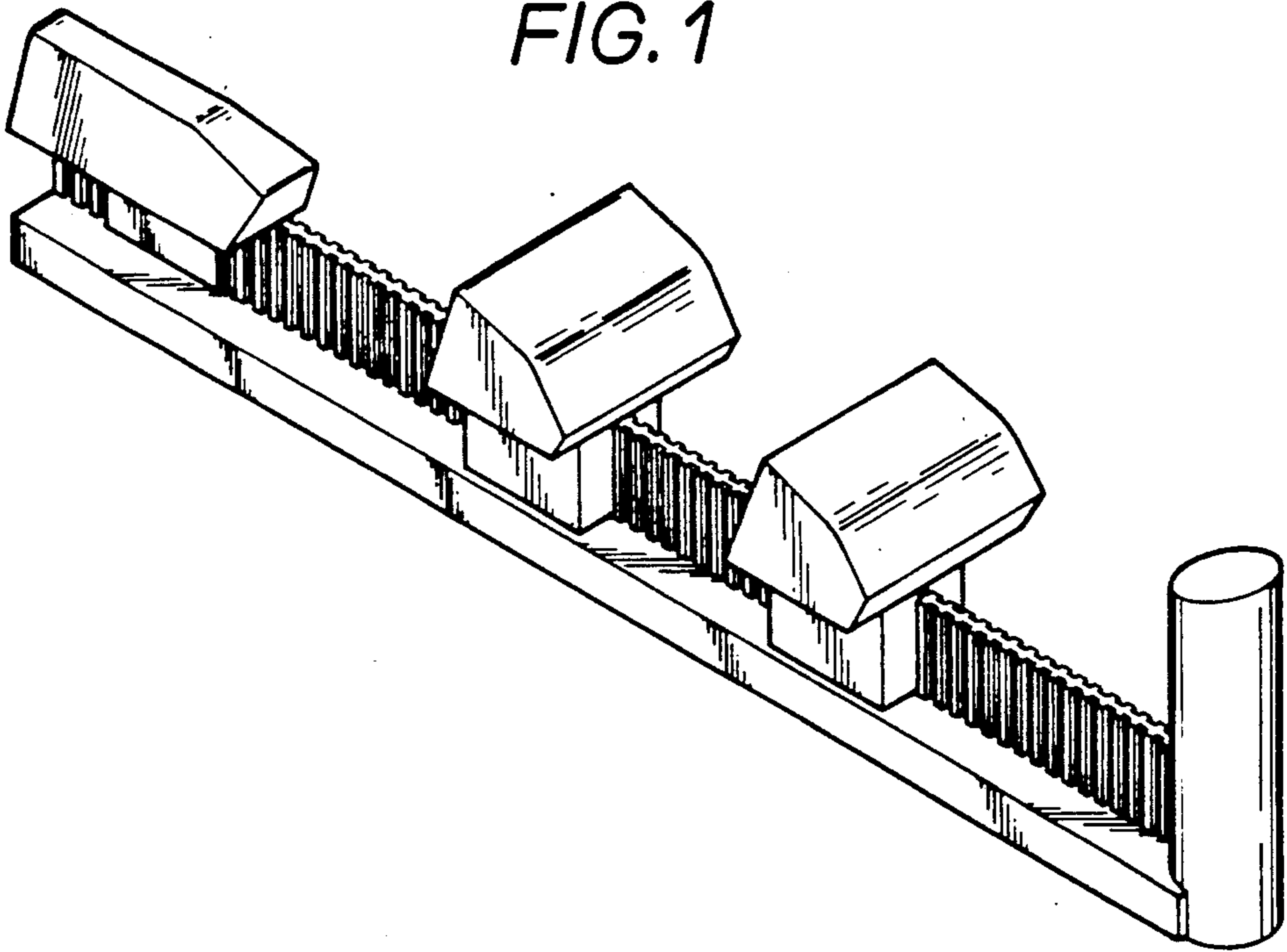


FIG. 2

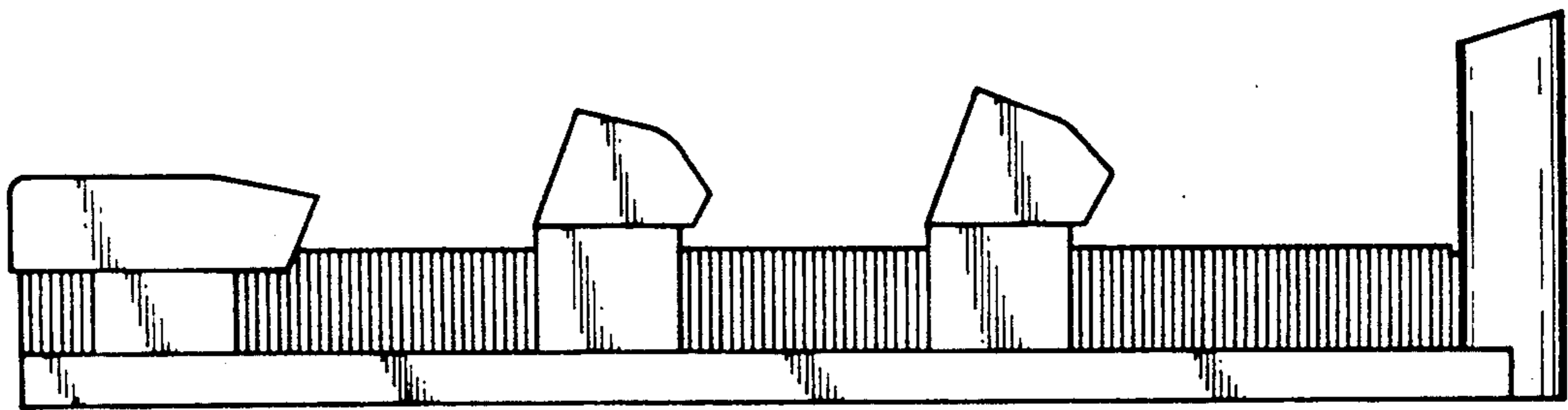
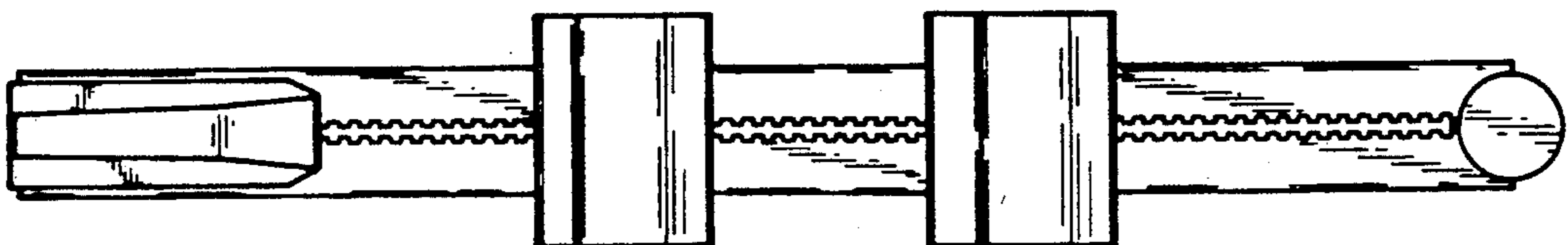
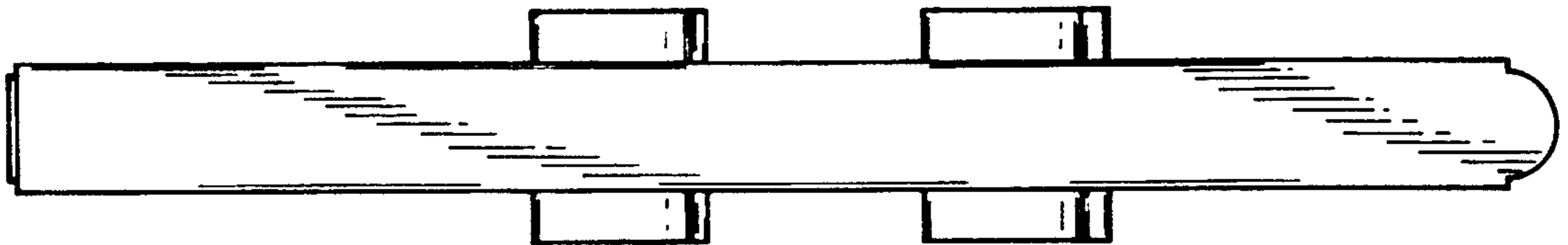


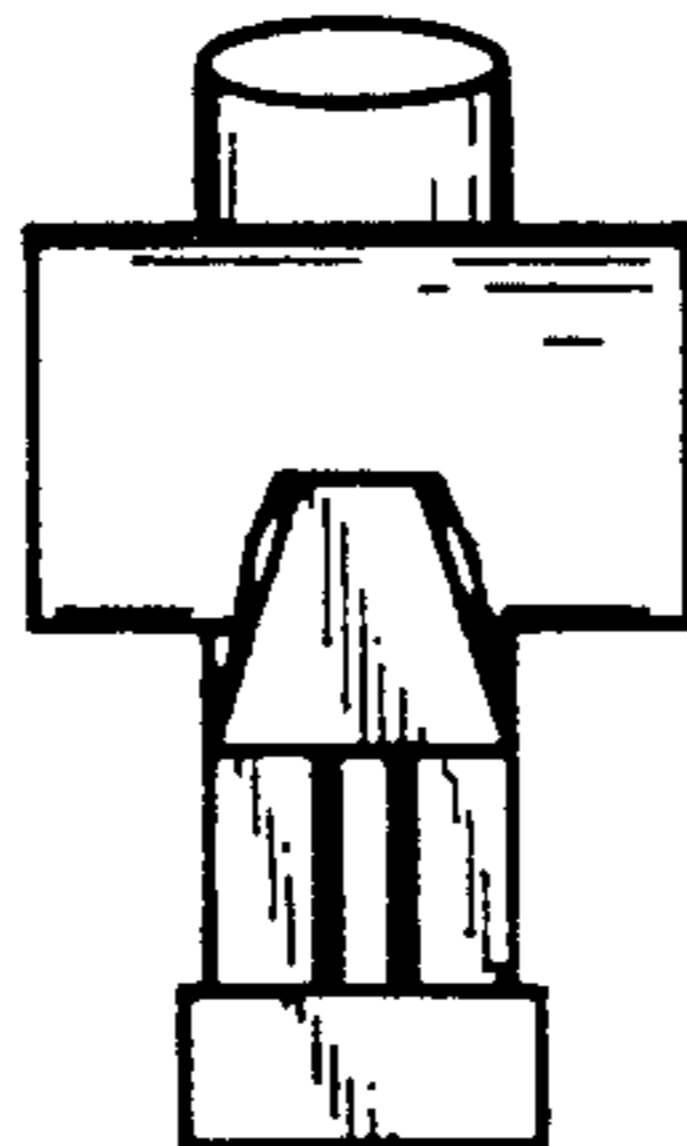
FIG. 3



*FIG. 4*



*FIG. 5*



*FIG. 6*

