



US00D324229S

United States Patent [19]

[11] Patent Number: **Des. 324,229**

Lo

[45] Date of Patent: **** Feb. 25, 1992**

[54] CAMERA

[76] Inventor: **Anthony Lo**, 12A Olympian Mansion, 9 Conduit Road, Hong Kong, Hong Kong

[**] Term: **14 Years**

[21] Appl. No.: **347,324**

[22] Filed: **May 4, 1989**

[30] Foreign Application Priority Data

Nov. 5, 1988 [GB] United Kingdom 1054797

[52] U.S. Cl. **D16/209**

[58] Field of Search **D16/200, 209, 218; 354/126, 149.11, 288**

[56] References Cited

U.S. PATENT DOCUMENTS

D. 206,465	12/1966	Lange	D16/218
D. 224,982	10/1972	Conner	D16/200
D. 291,579	8/1987	Ito et al.	D16/218 X
4,261,658	4/1981	Uchiyama et al.	354/126
4,299,465	11/1981	Chan	354/149.11 X
4,796,034	1/1989	Leonard	354/149.11 X

Primary Examiner—Bernard Ansher
Assistant Examiner—Dominic Simone
Attorney, Agent, or Firm—Finnegan, Henderson, Farabow, Garrett & Dunner

[57] CLAIM

The ornamental design for a camera, as shown and described.

DESCRIPTION

FIG. 1 is a front view of a camera showing my new design;
FIG. 2 is a front view thereof, the flash reflector in a raised position;
FIG. 3 is a rear view thereof;
FIG. 4 is a rear view of FIG. 2;
FIG. 5 is a top plan view thereof;
FIG. 6 is a bottom plan view thereof;
FIG. 7 is a right side view thereof, the left side substantially being a mirror image;
FIG. 8 is a right side view of FIG. 2, the left side substantially being a mirror image;
FIG. 9 is a perspective view thereof; and
FIG. 10 is a perspective view of FIG. 2.

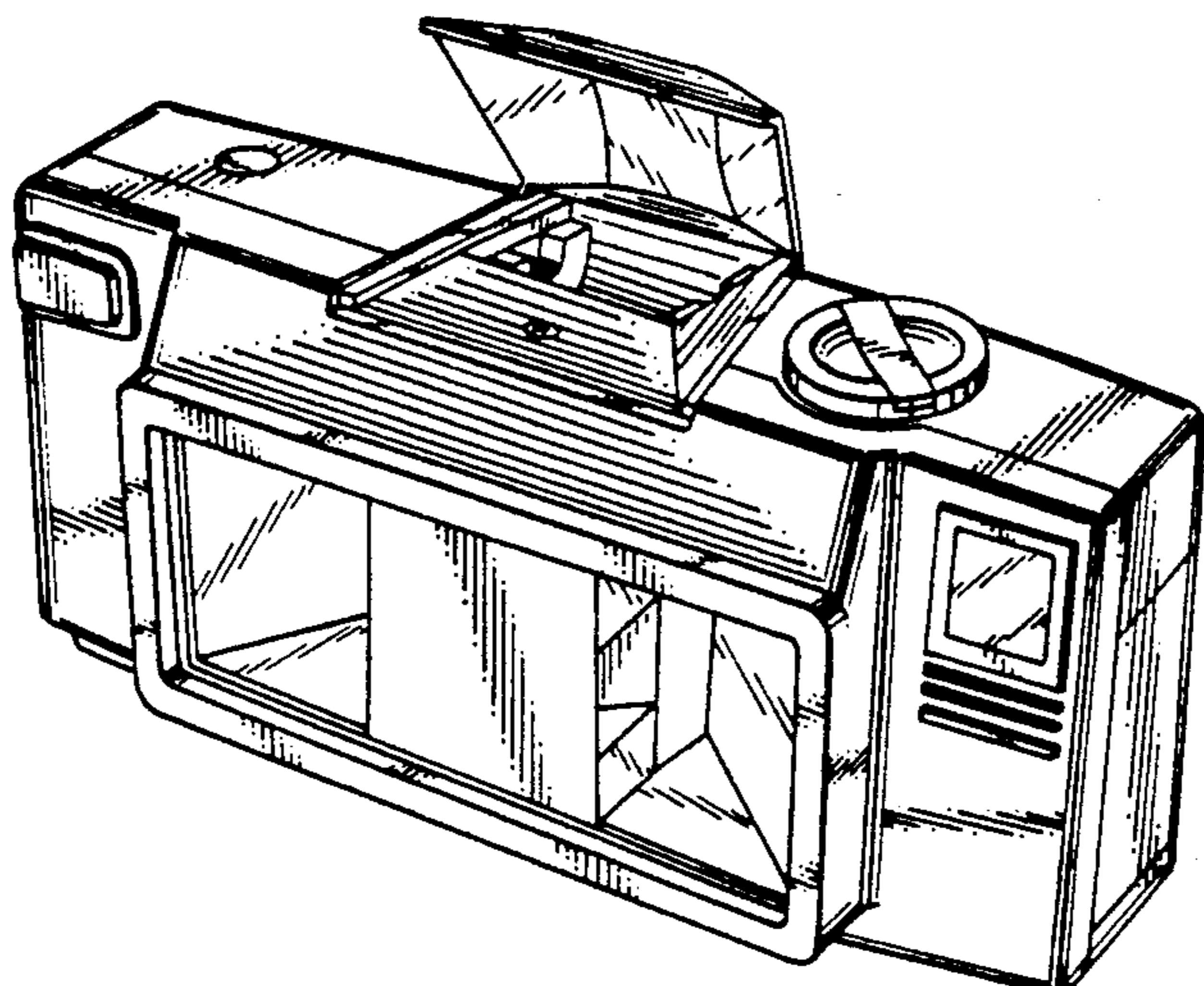
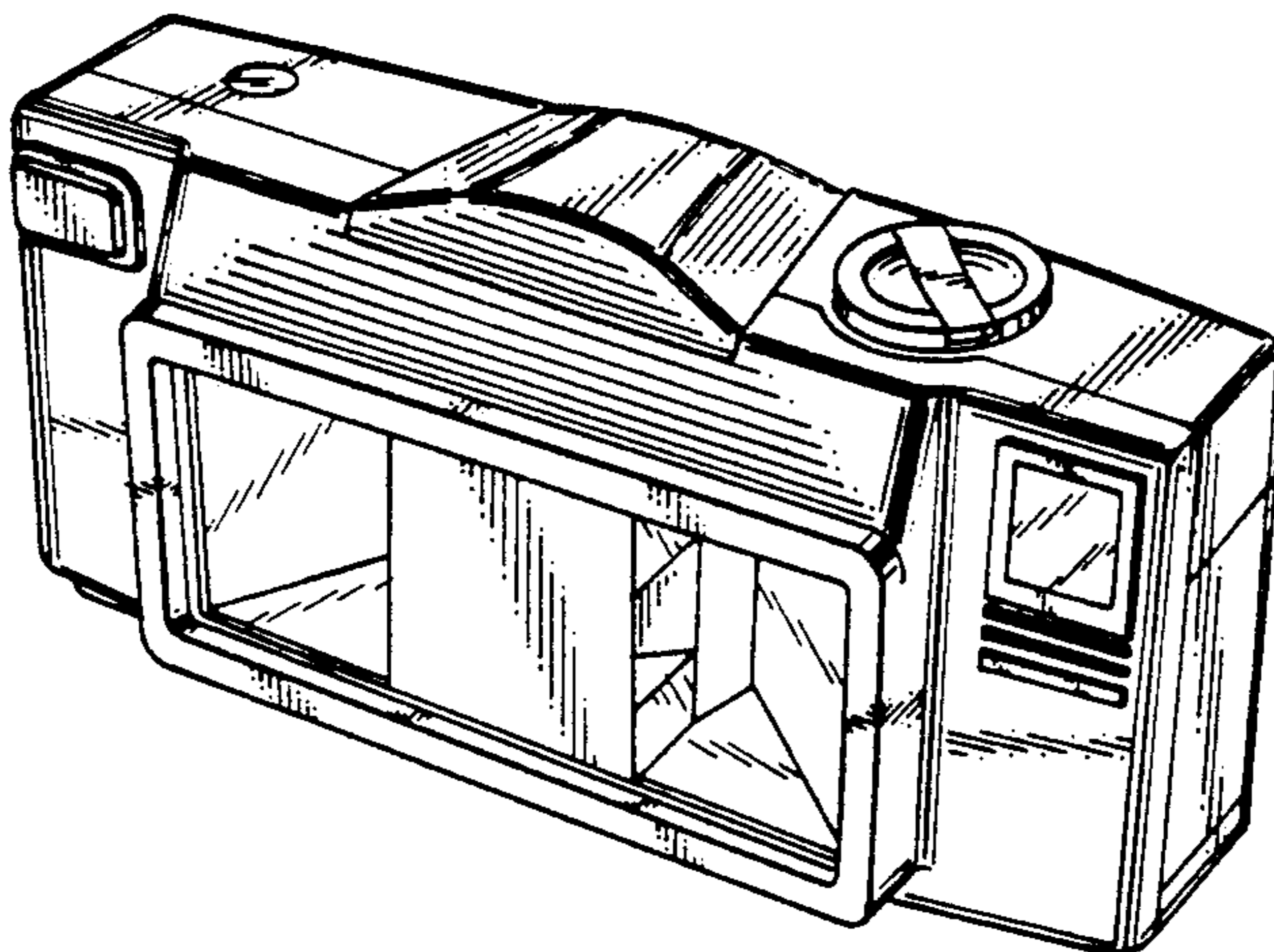


FIG. 1.

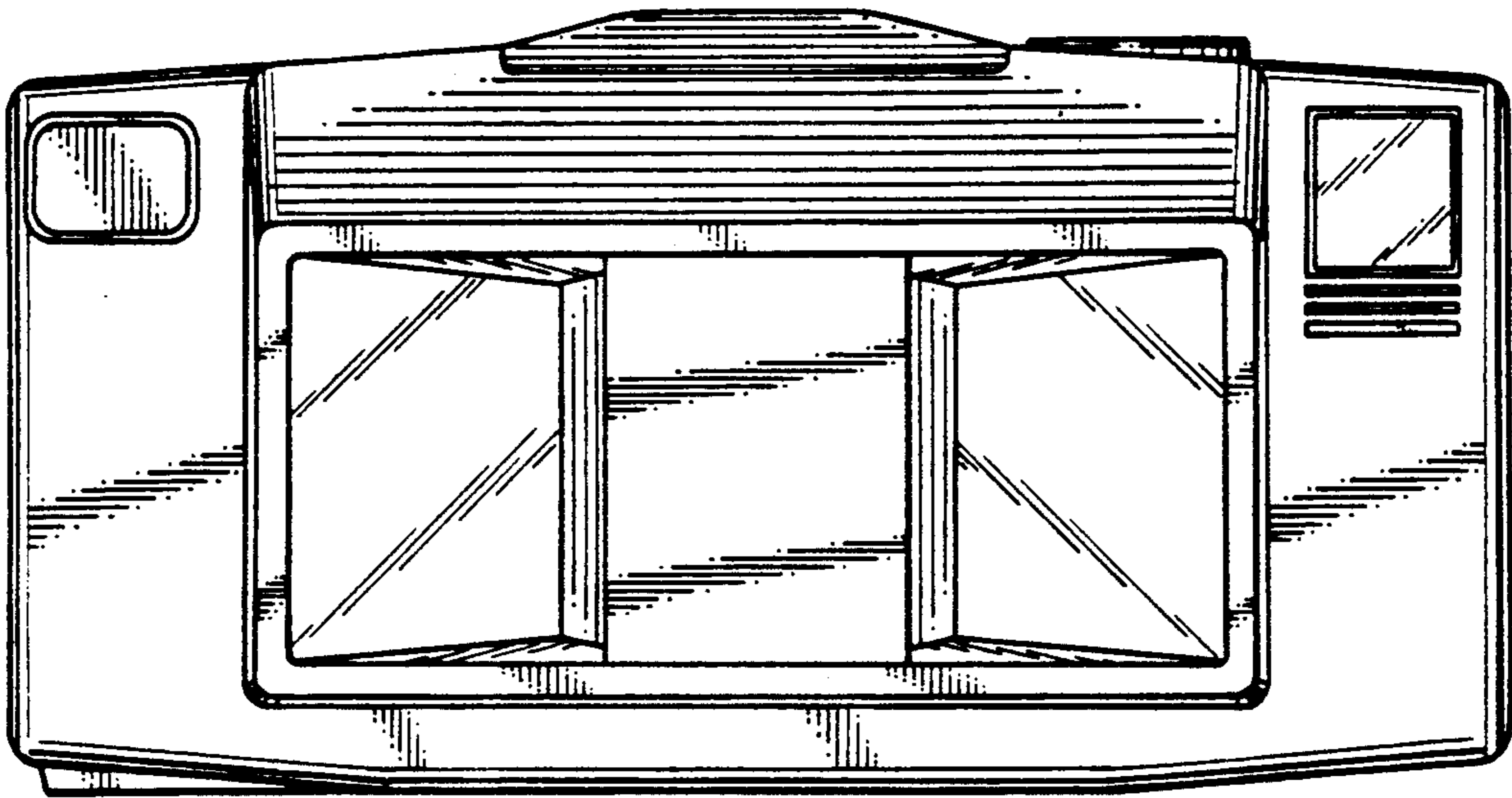


FIG. 2.

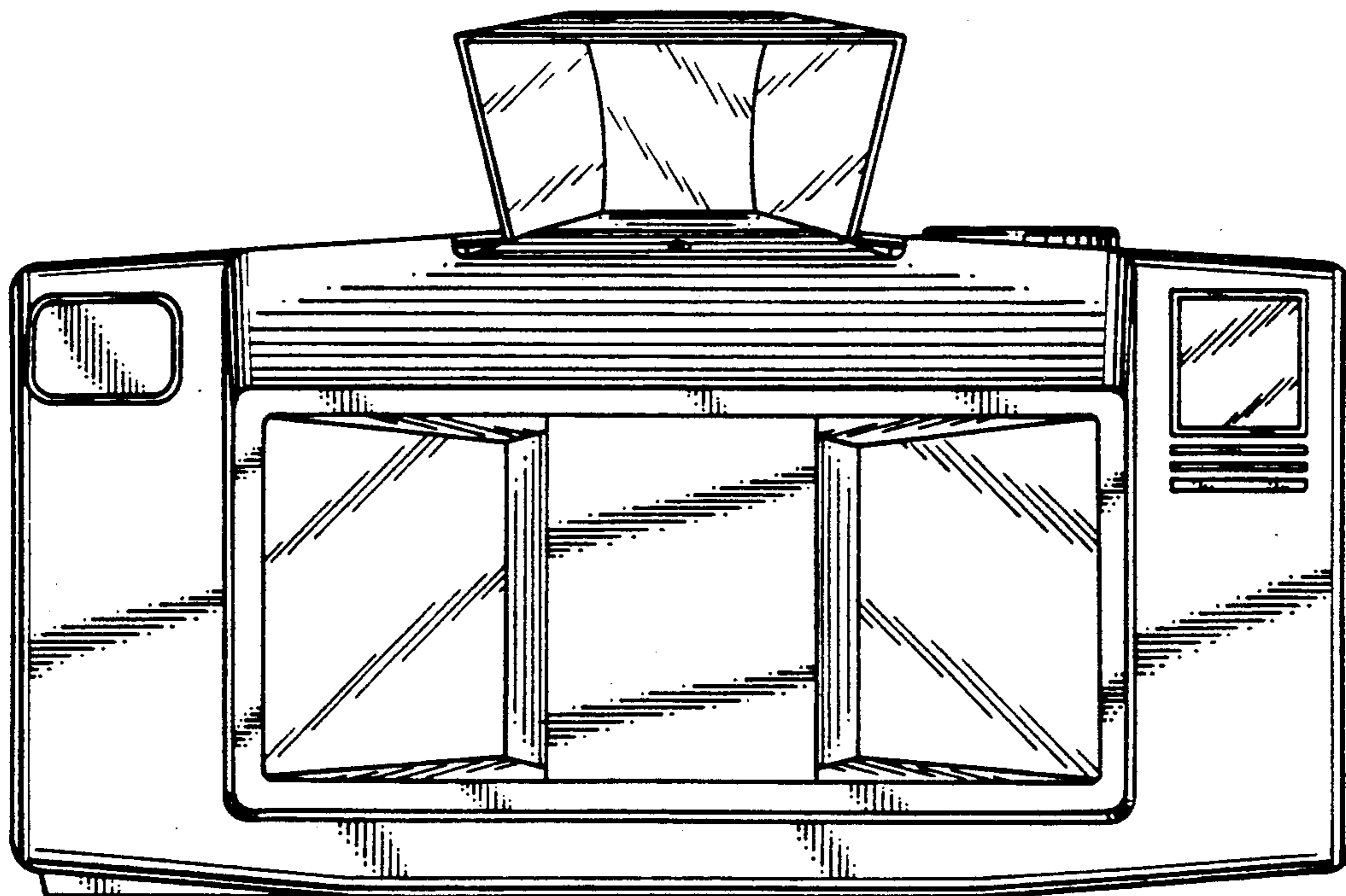


FIG. 3.

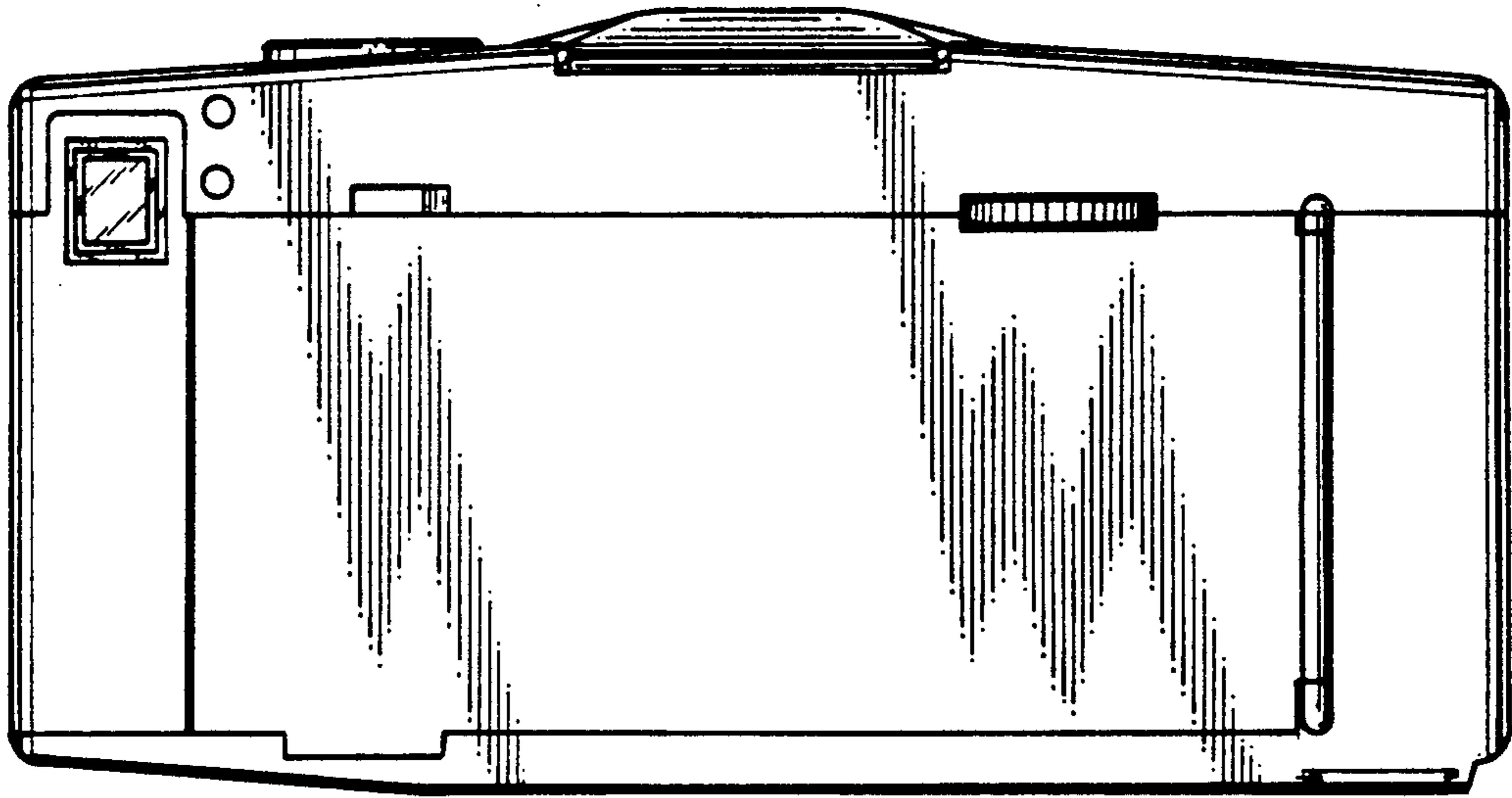


FIG. 4.

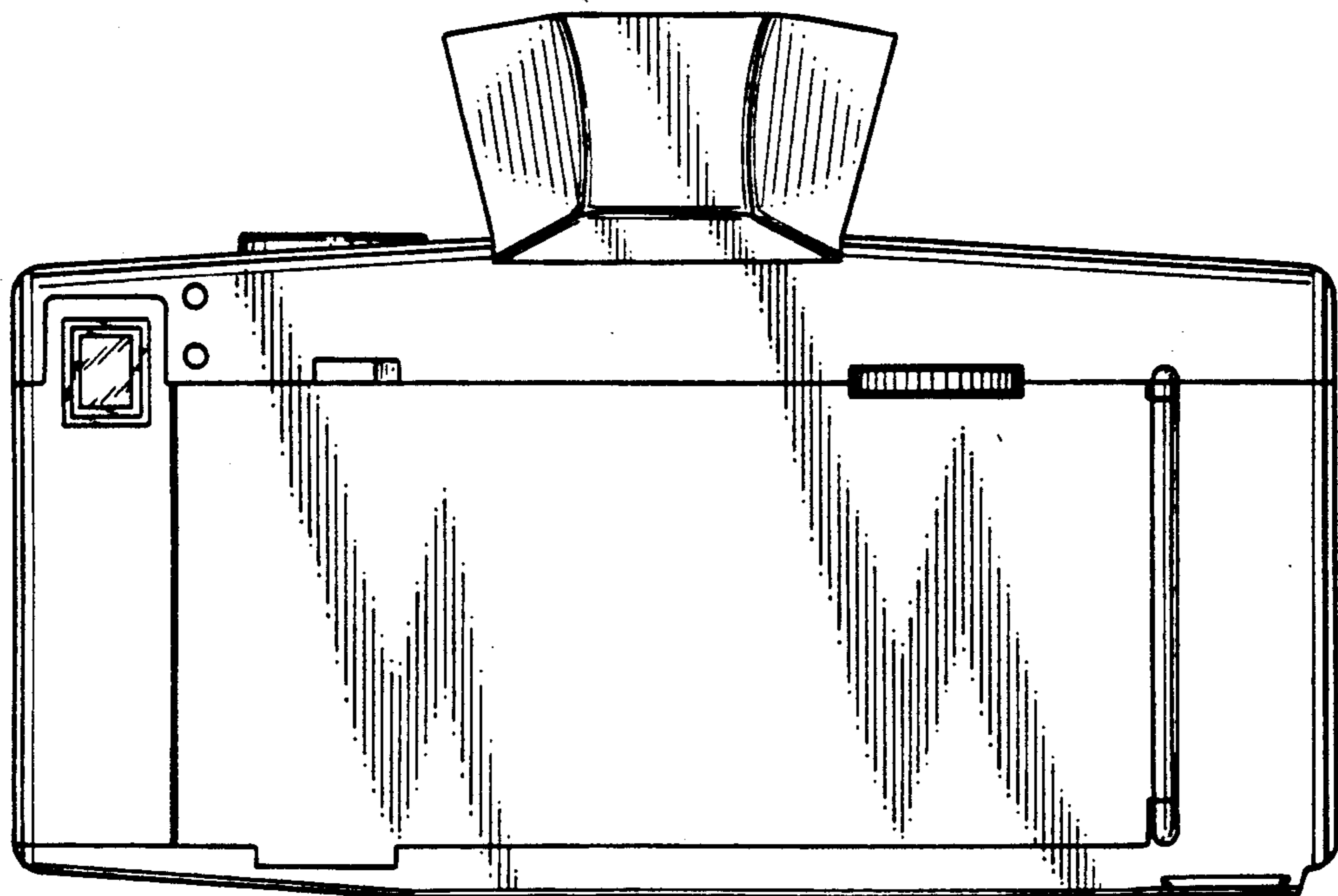


FIG. 5.

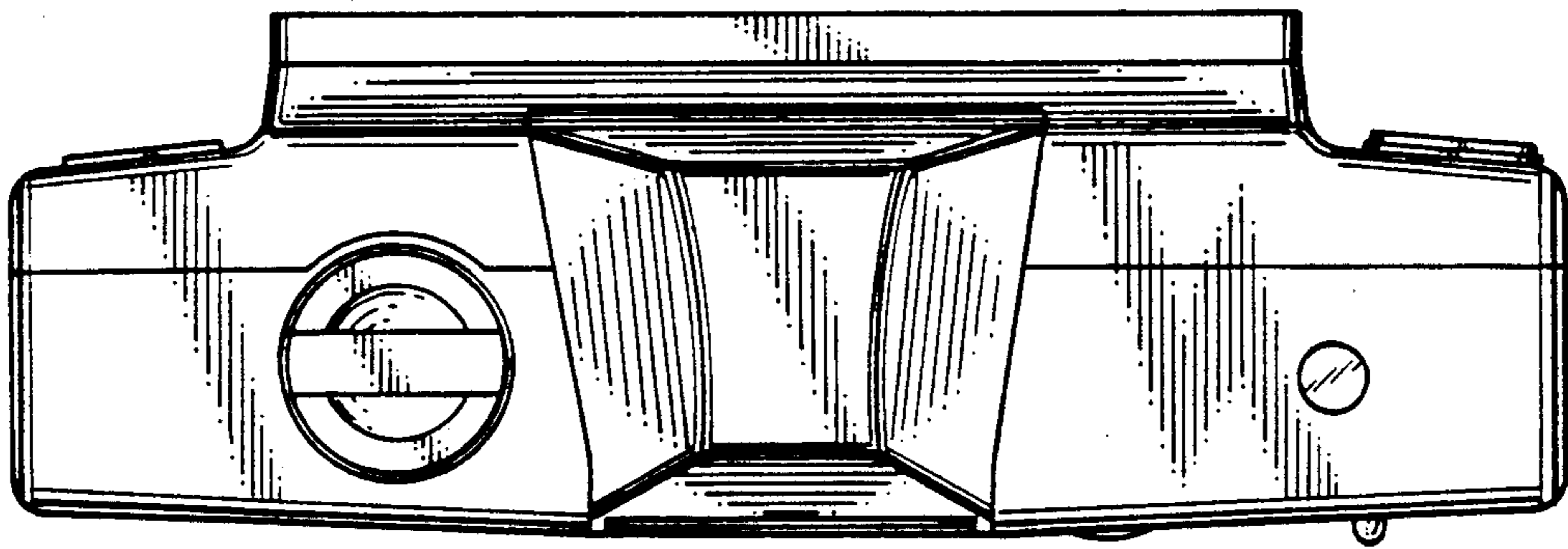


FIG. 6.

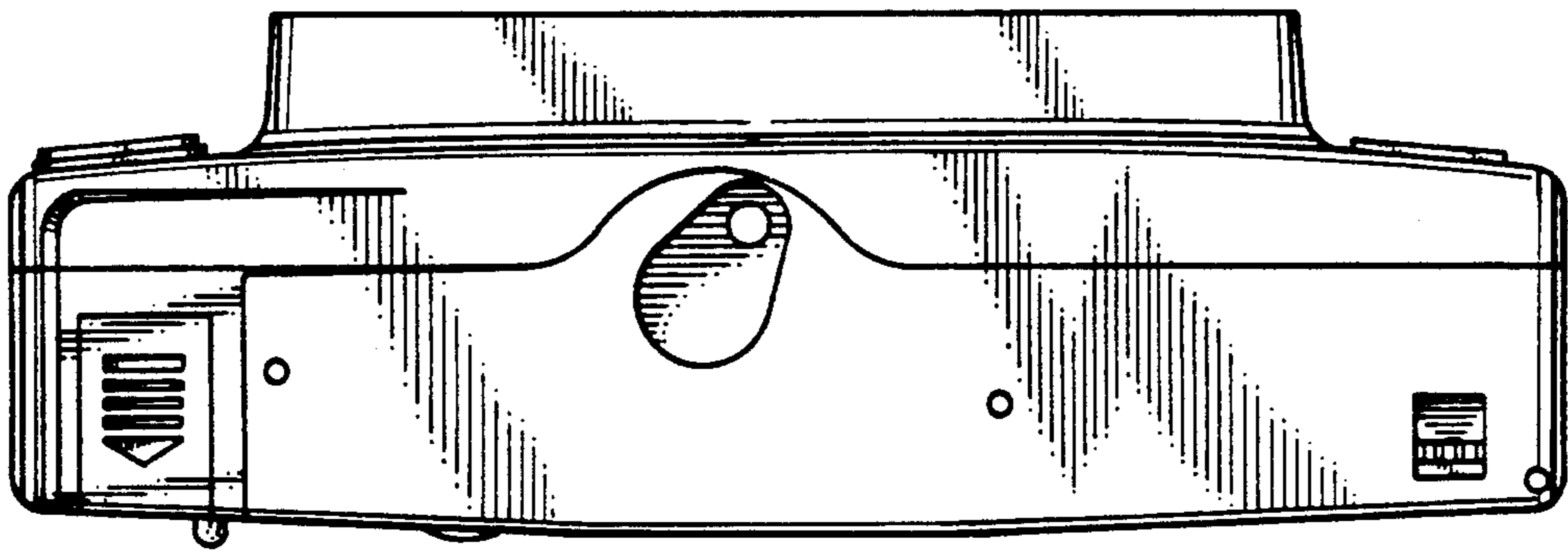


FIG. 7.

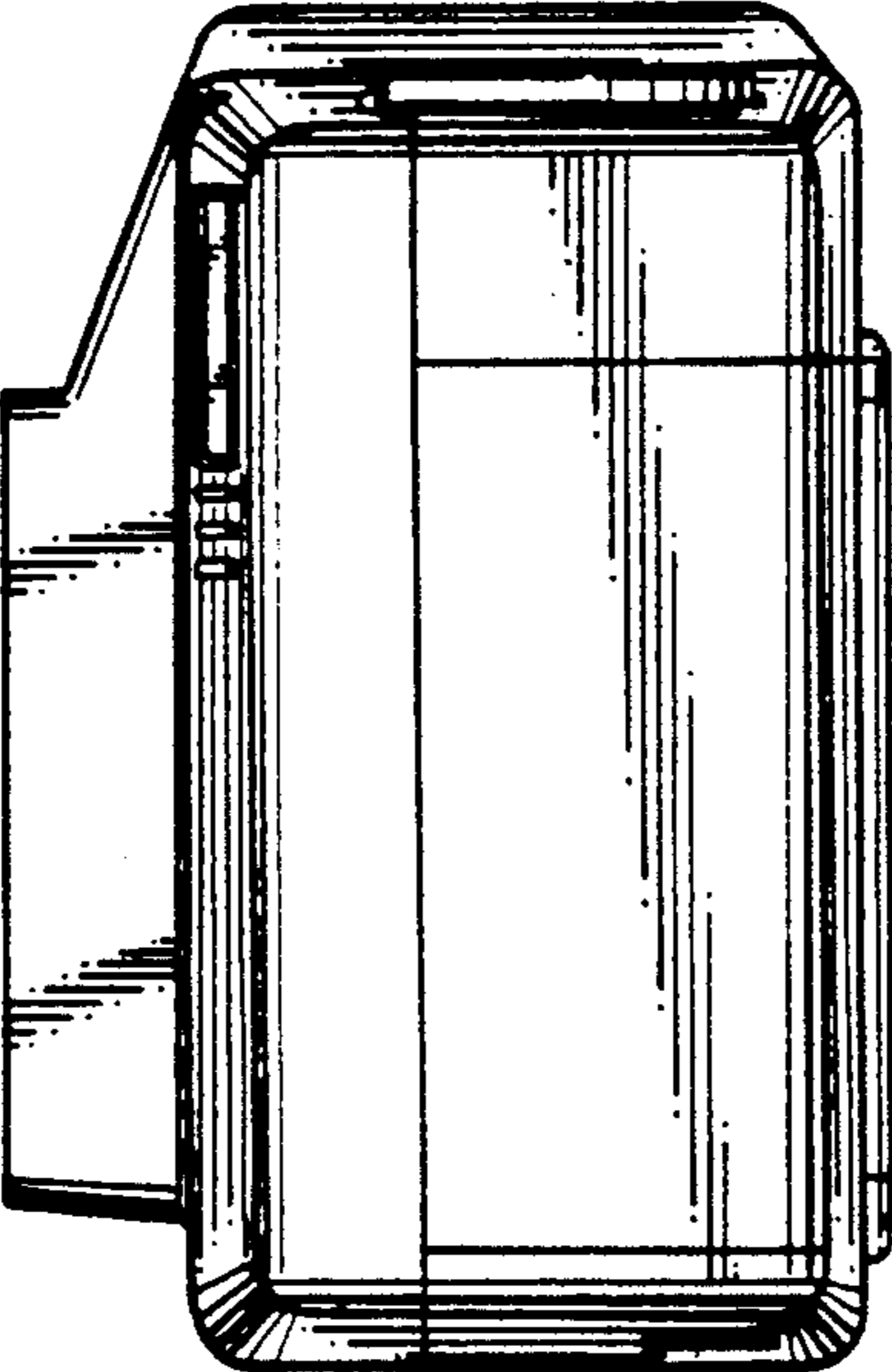


FIG. 8.

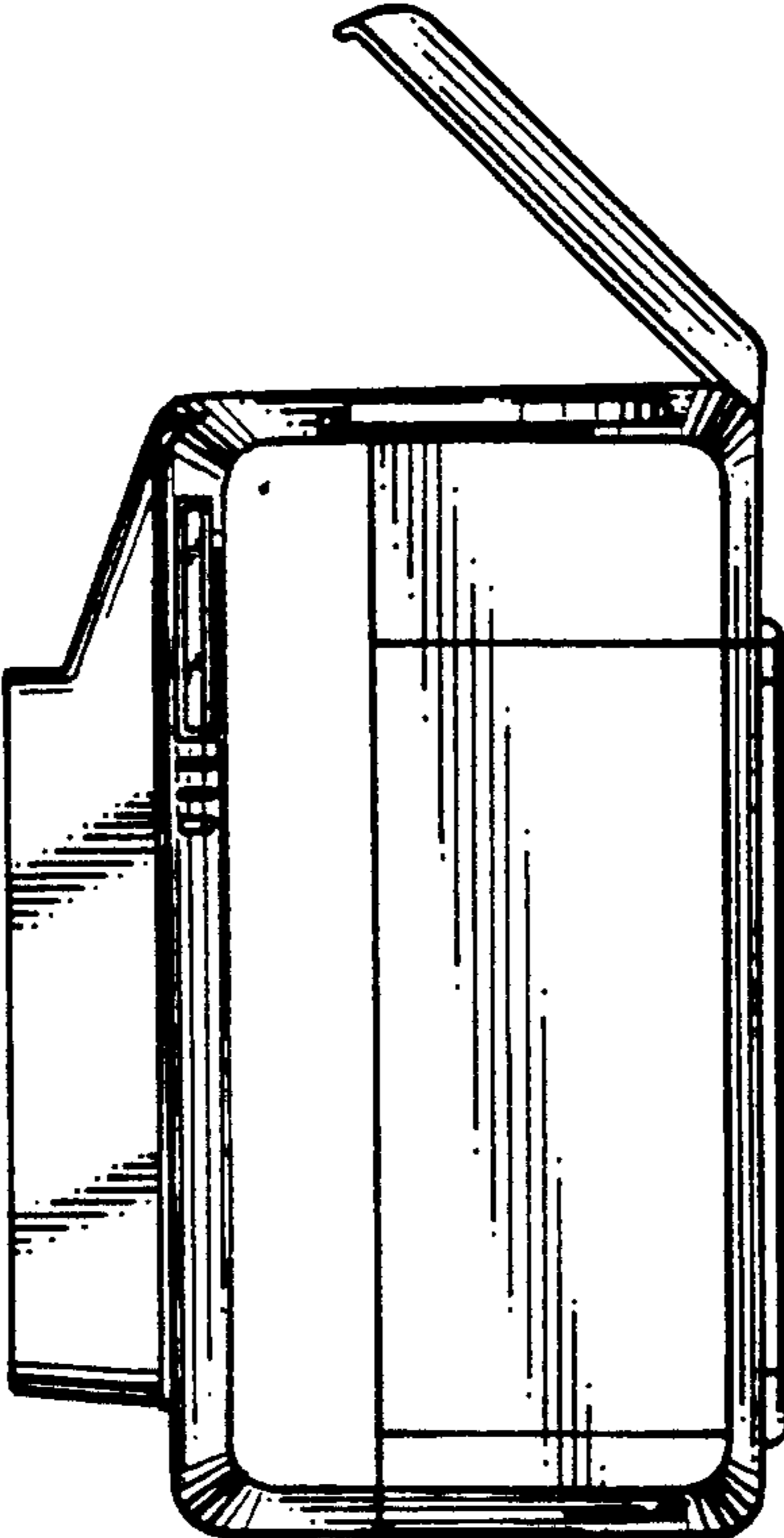


FIG. 9.

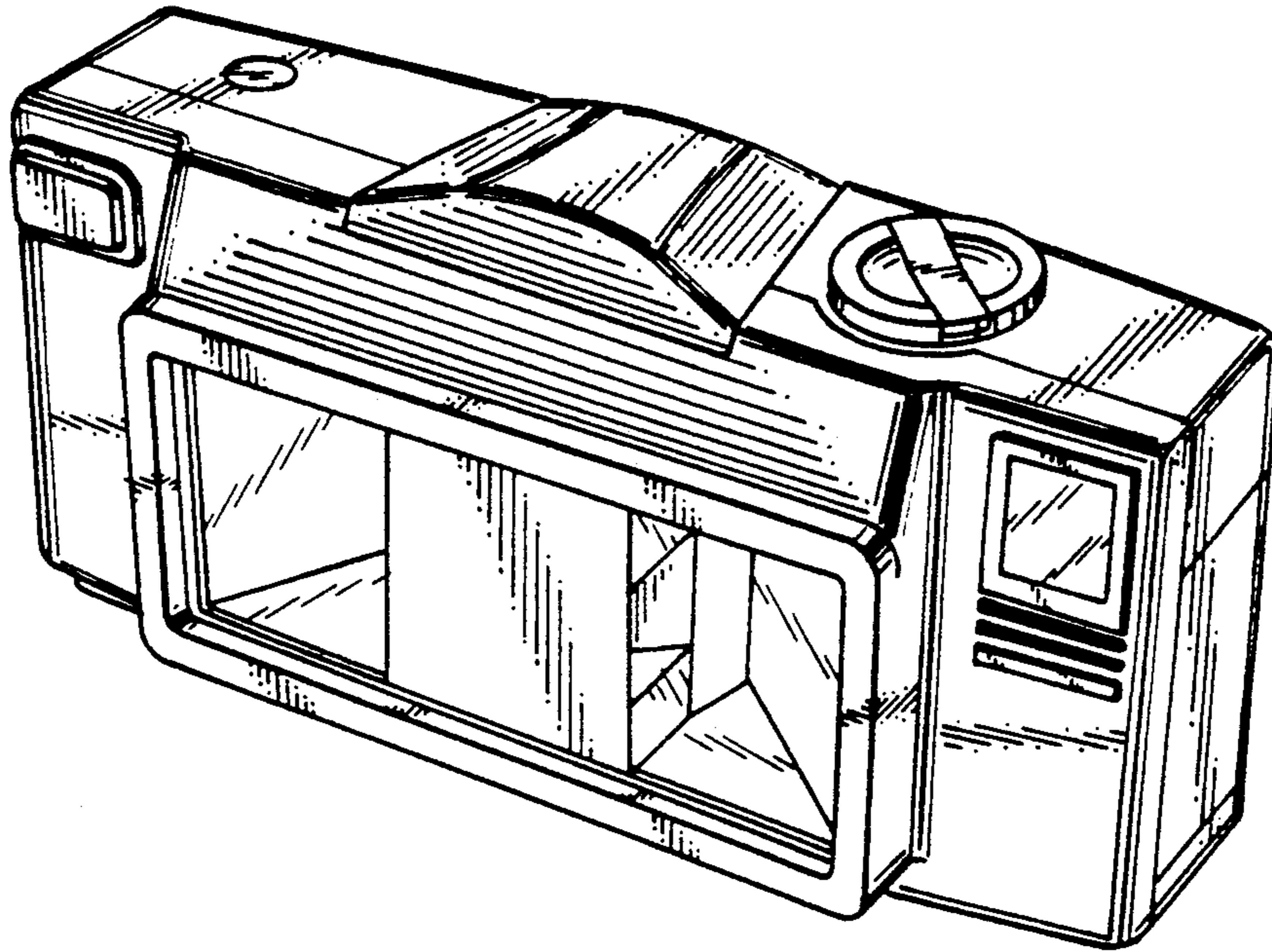


FIG. 10.

