



US00D324225S

# United States Patent [19]

**Speer**

[11] **Patent Number: Des. 324,225**

[45] **Date of Patent: \*\* Feb. 25, 1992**

[54] **MOLD FORM OR SIMILAR ARTICLE**

[75] **Inventor: Howard D. Speer, Marriottsville, Md.**

[73] **Assignee: Black & Decker Inc., Newark, Del.**

[\*\*] **Term: 14 Years**

[21] **Appl. No.: 82,711**

[22] **Filed: Aug. 7, 1987**

[52] **U.S. Cl. .... D15/136**

[58] **Field of Search ..... D15/136, 135; D7/43; 249/127, 120, 112, 173, 124, 125; 425/325**

[56] **References Cited**

### U.S. PATENT DOCUMENTS

D. 221,995	9/1971	Rudicil .....	D15/136
2,389,317	11/1945	Kitto .....	249/127 X
3,025,682	3/1962	Kniffin .....	249/120 X
3,527,439	9/1970	Lawmaster .....	249/173 X

3,721,419	3/1973	Bolinger .....	249/120 X
4,296,908	10/1981	Lippa .....	249/127 X

### FOREIGN PATENT DOCUMENTS

2755269 6/1979 Fed. Rep. of Germany ..... 248/910

*Primary Examiner*—Bruce W. Dunkins  
*Assistant Examiner*—Jeffrey Asch  
*Attorney, Agent, or Firm*—Charles E. Yocum; Dennis A. Dearing; John D. Del Ponti

[57] **CLAIM**

The ornamental design for a mold form or similar article, as shown and described.

### DESCRIPTION

FIG. 1 is a perspective view of a mold form or similar article showing my new design;  
FIG. 2 is a front elevational view thereof;  
FIG. 3 is a top plan view thereof; and  
FIG. 4 is a bottom plan view thereof.

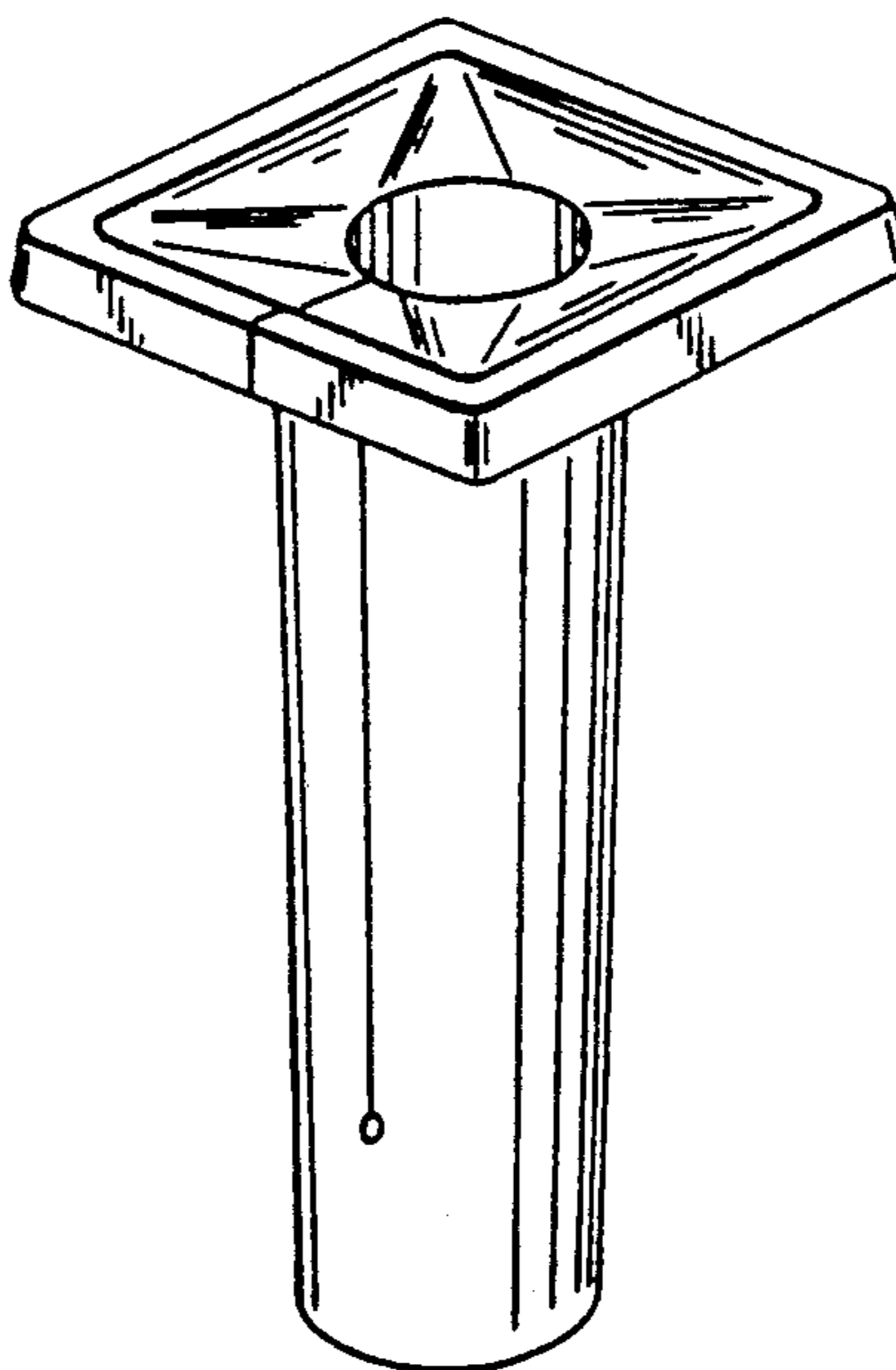


FIG. 1

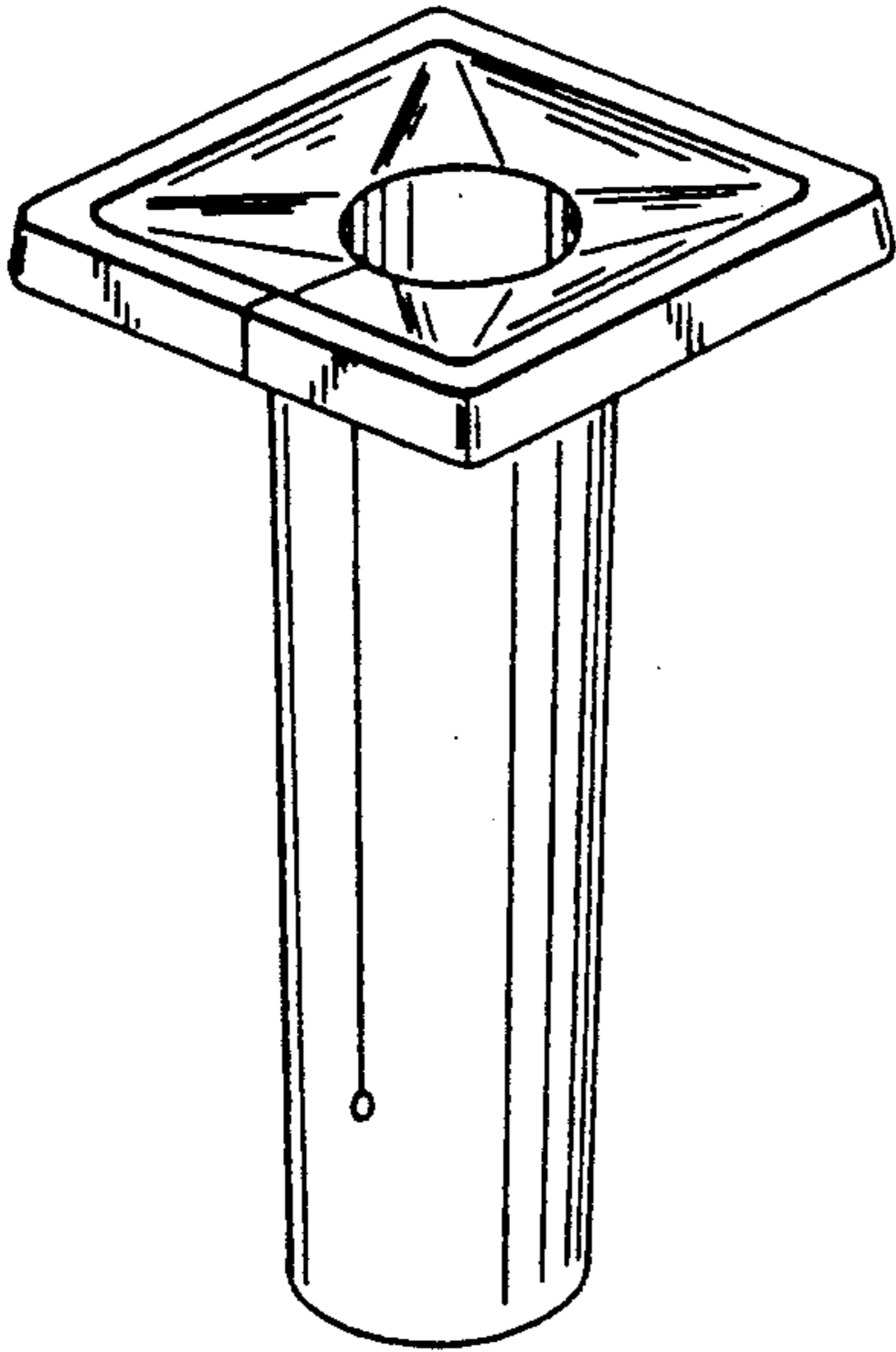


FIG. 2

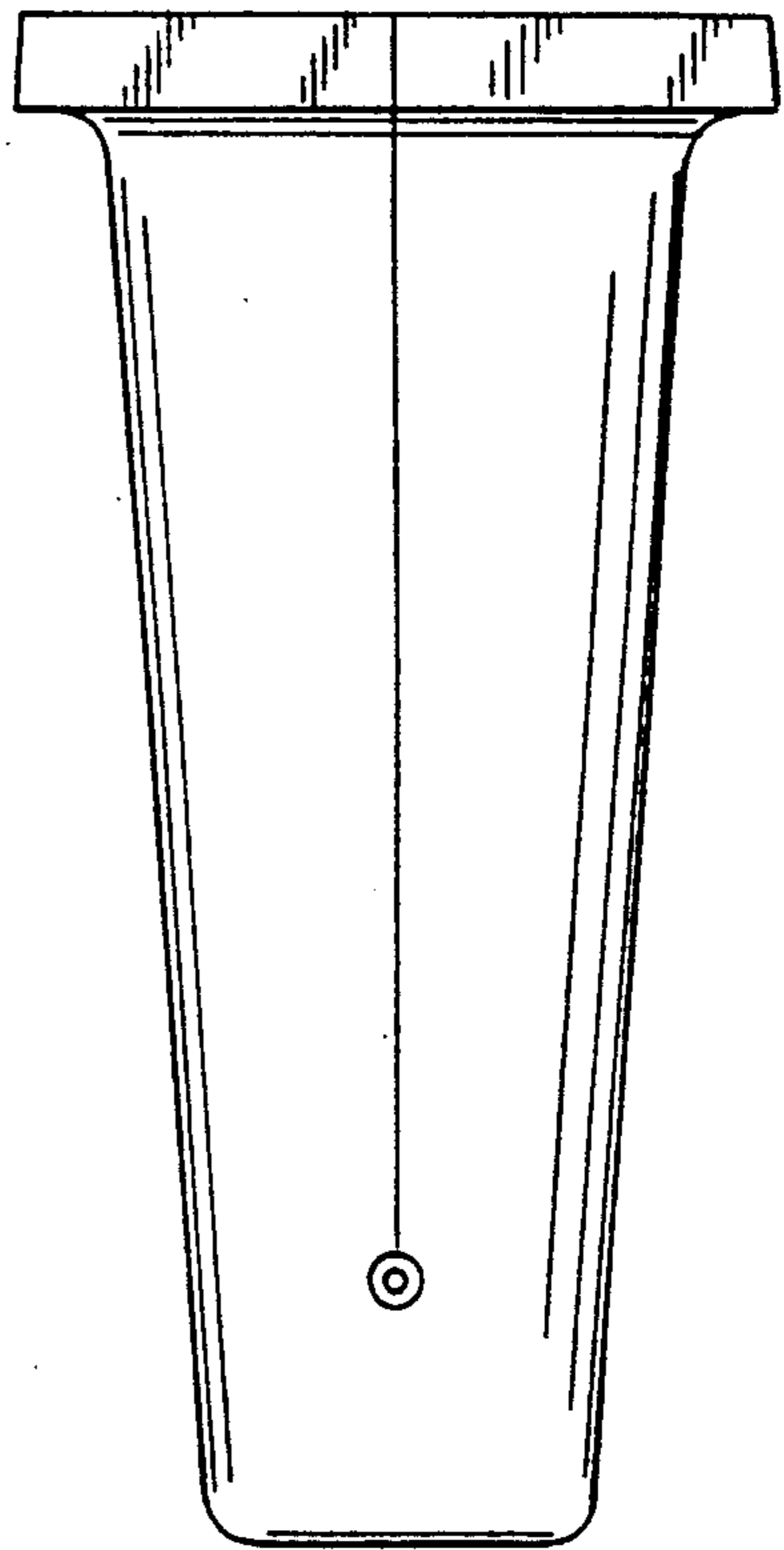


FIG. 3

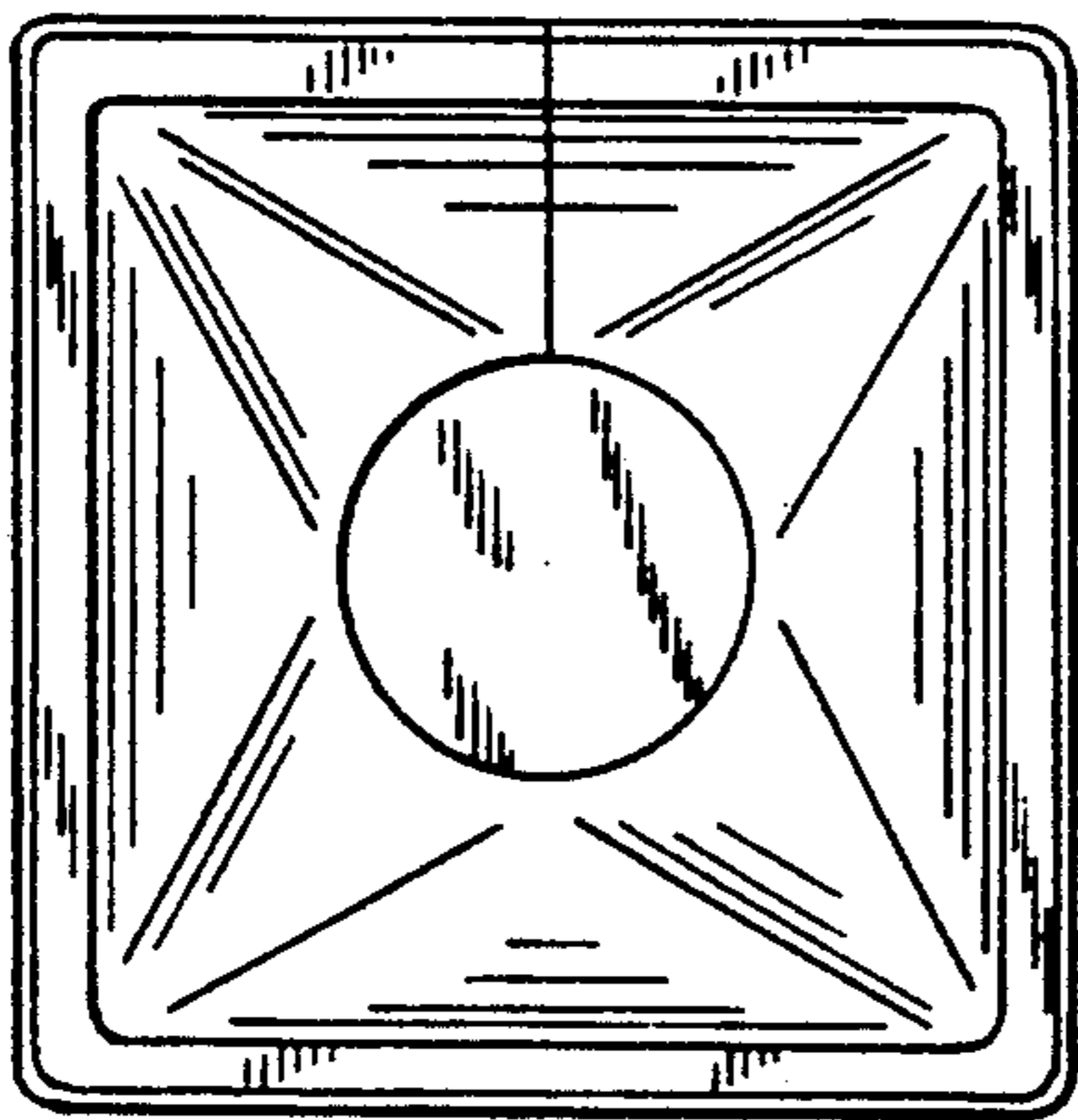


FIG. 4

