



US00D324223S

United States Patent [19]

[11] Patent Number: **Des. 324,223**

Kuroki

[45] Date of Patent: **** Feb. 25, 1992**

[54] **FOOT CONTROLLER FOR SEWING MACHINE**

D. 264,848 6/1982 Hanyu D15/72
D. 271,106 10/1983 Hanyu D15/72

[75] Inventor: **Nobufusa Kuroki**, Tokyo, Japan

Primary Examiner—Bernard Ansher
Assistant Examiner—Sandra Morris
Attorney, Agent, or Firm—Michael J. Striker

[73] Assignee: **Janome Sewing Machine Co., Ltd.**,
Tokyo, Japan

[**] Term: **14 Years**

[57] **CLAIM**

[21] Appl. No.: **529,178**

The ornamental design for a foot controller for sewing machine, as shown and described.

[22] Filed: **May 25, 1990**

DESCRIPTION

[52] U.S. Cl. **D15/72**

FIG. 1 is a front elevational view of a foot controller for sewing machine, showing my new design;
FIG. 2 is a rear elevational view thereof;
FIG. 3 is a top plan view thereof;
FIG. 4 is a bottom plan view thereof;
FIG. 5 is a left side elevational view thereof;
FIG. 6 is a right side elevational view thereof;
FIG. 7 is a perspective view thereof.

[58] Field of Search **D15/66, 69, 70, 72,**
D15/78; 112/270, 275, 277

[56] **References Cited**

U.S. PATENT DOCUMENTS

D. 203,811 2/1966 Ruedin D15/72
D. 260,524 9/1981 Satoh D15/72

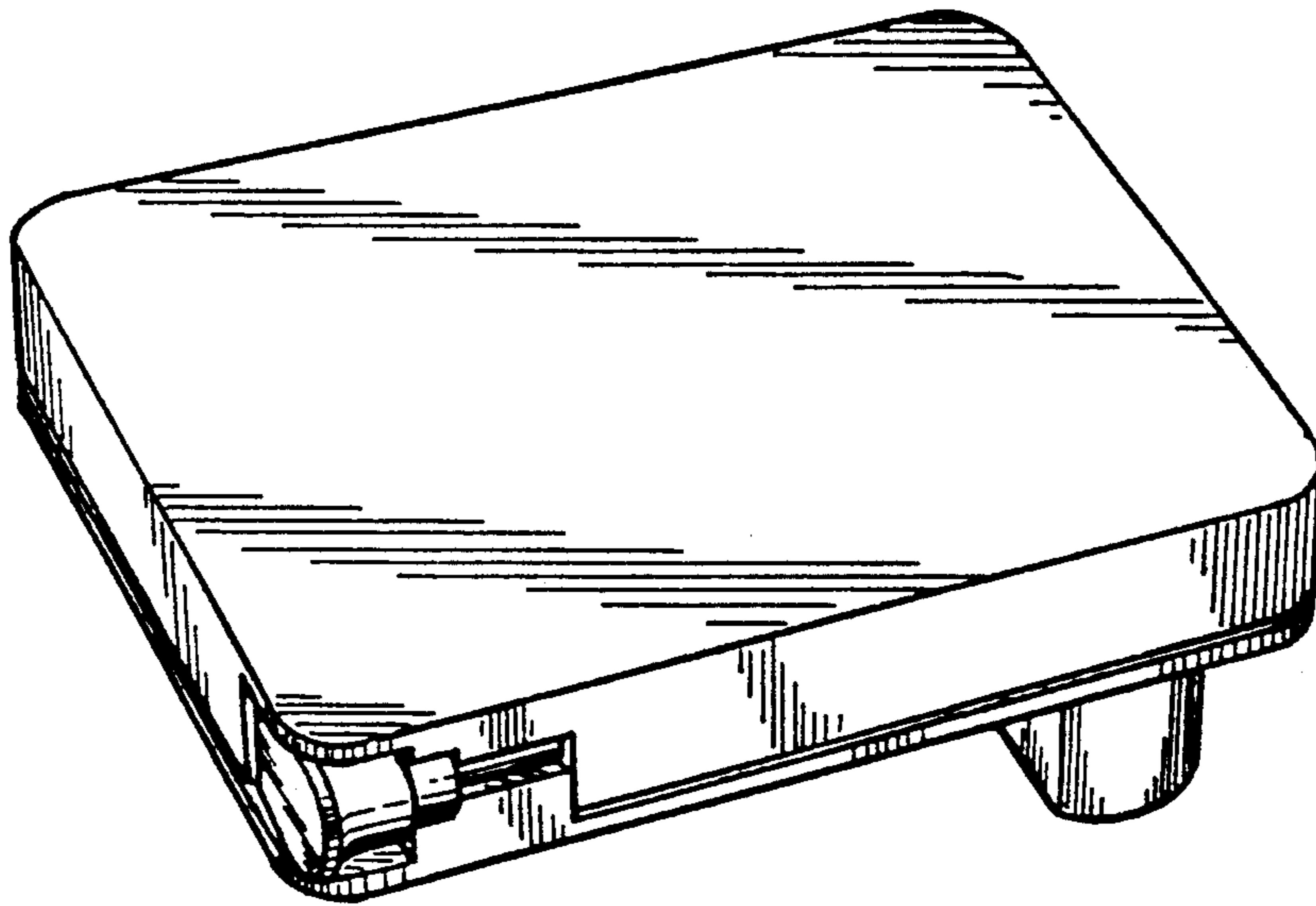


FIG. 1

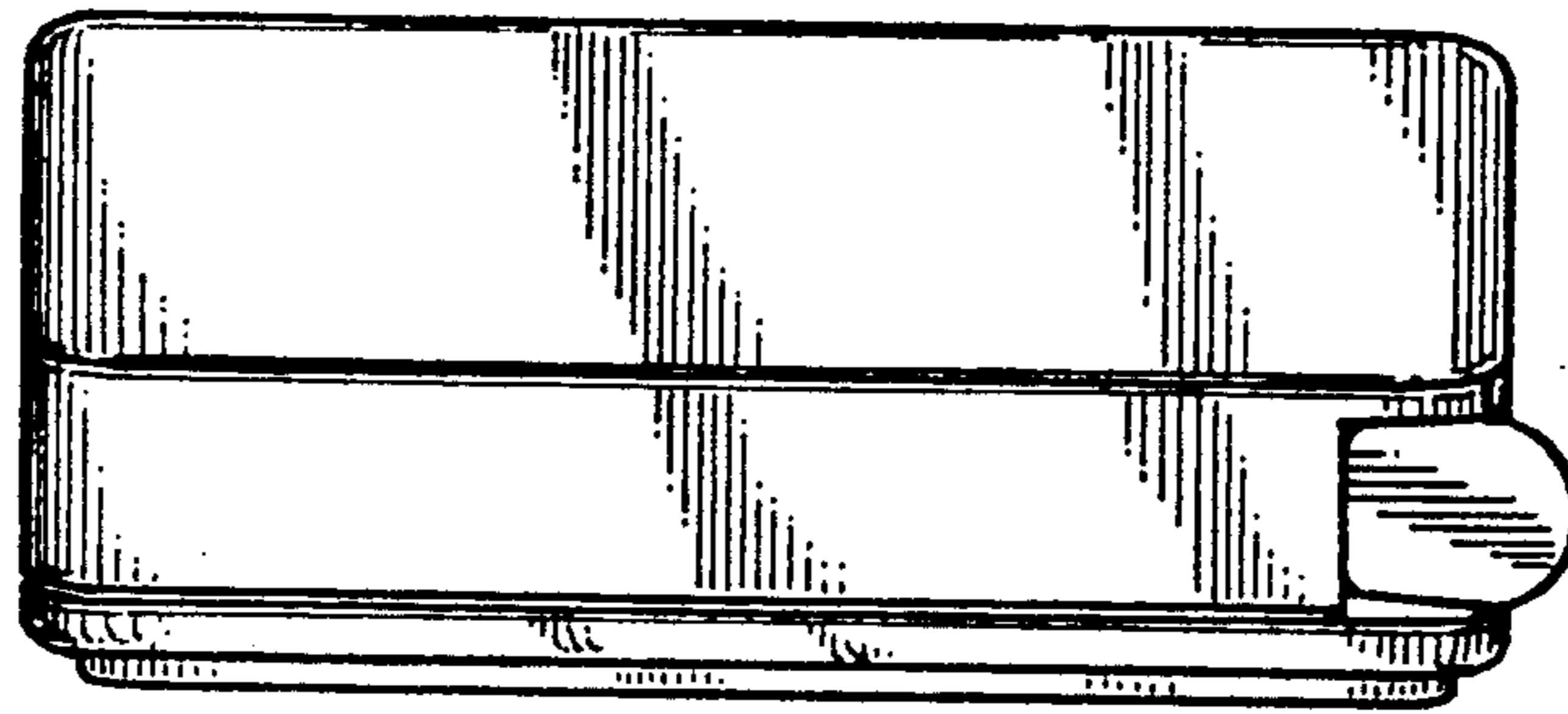


FIG. 2

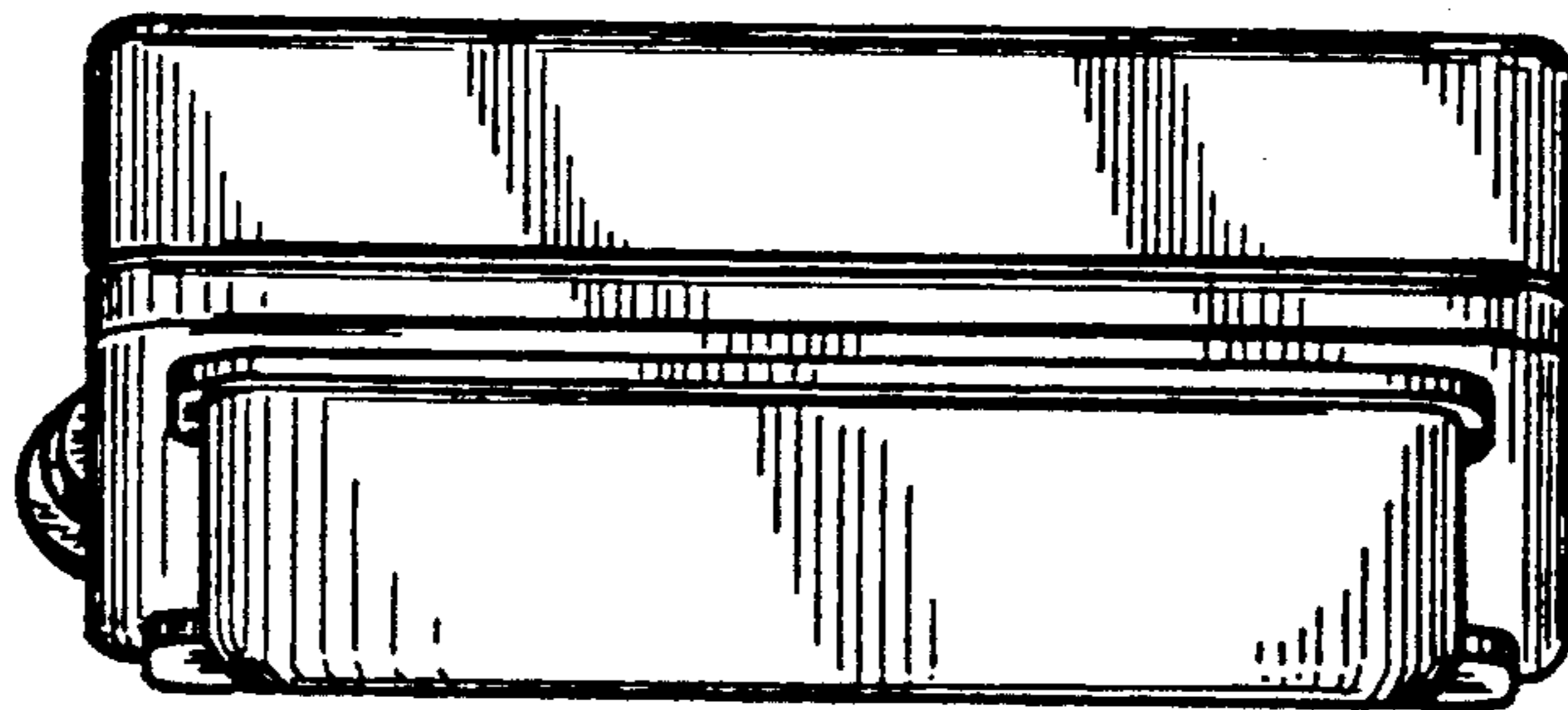


FIG. 3

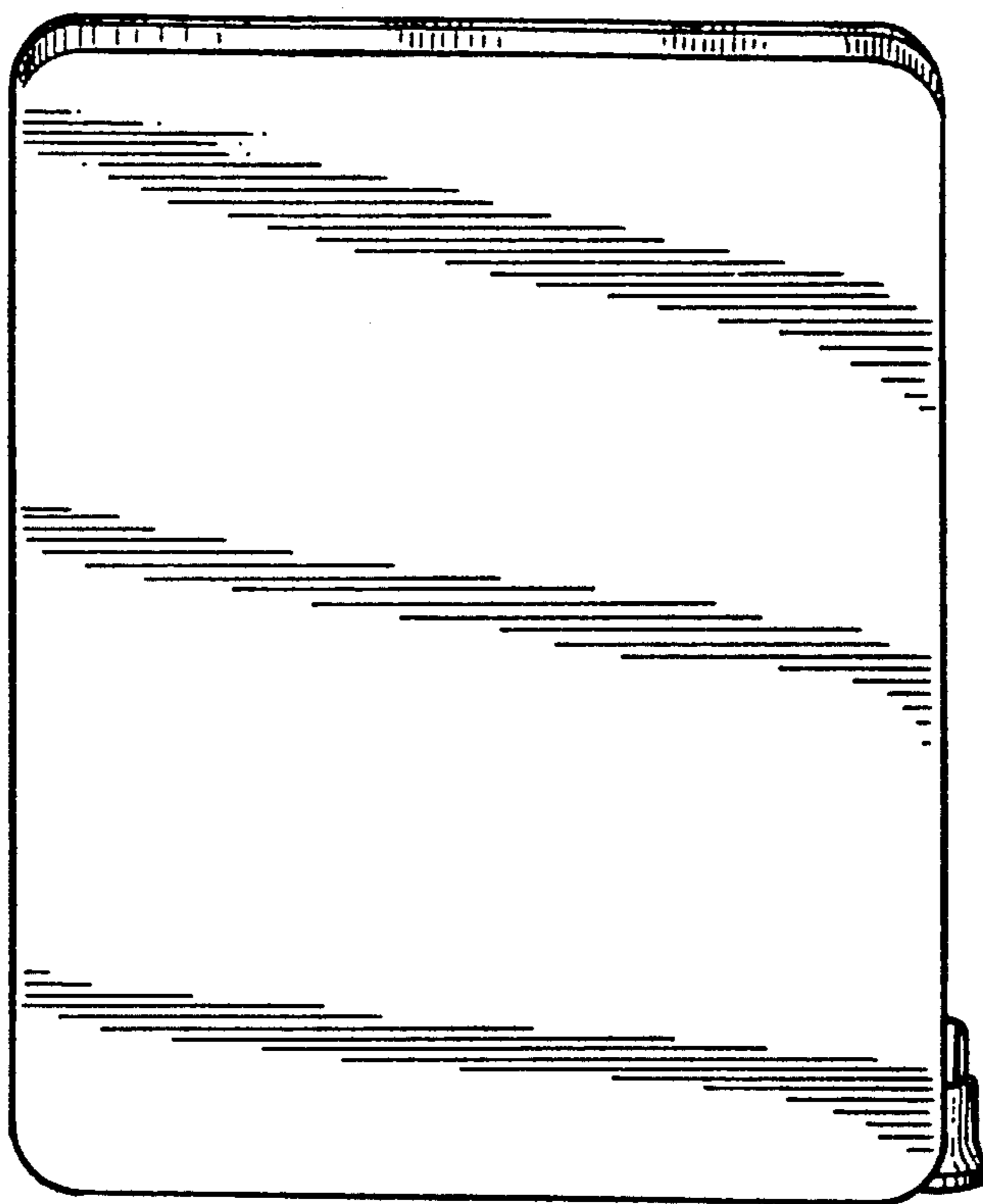


FIG. 4

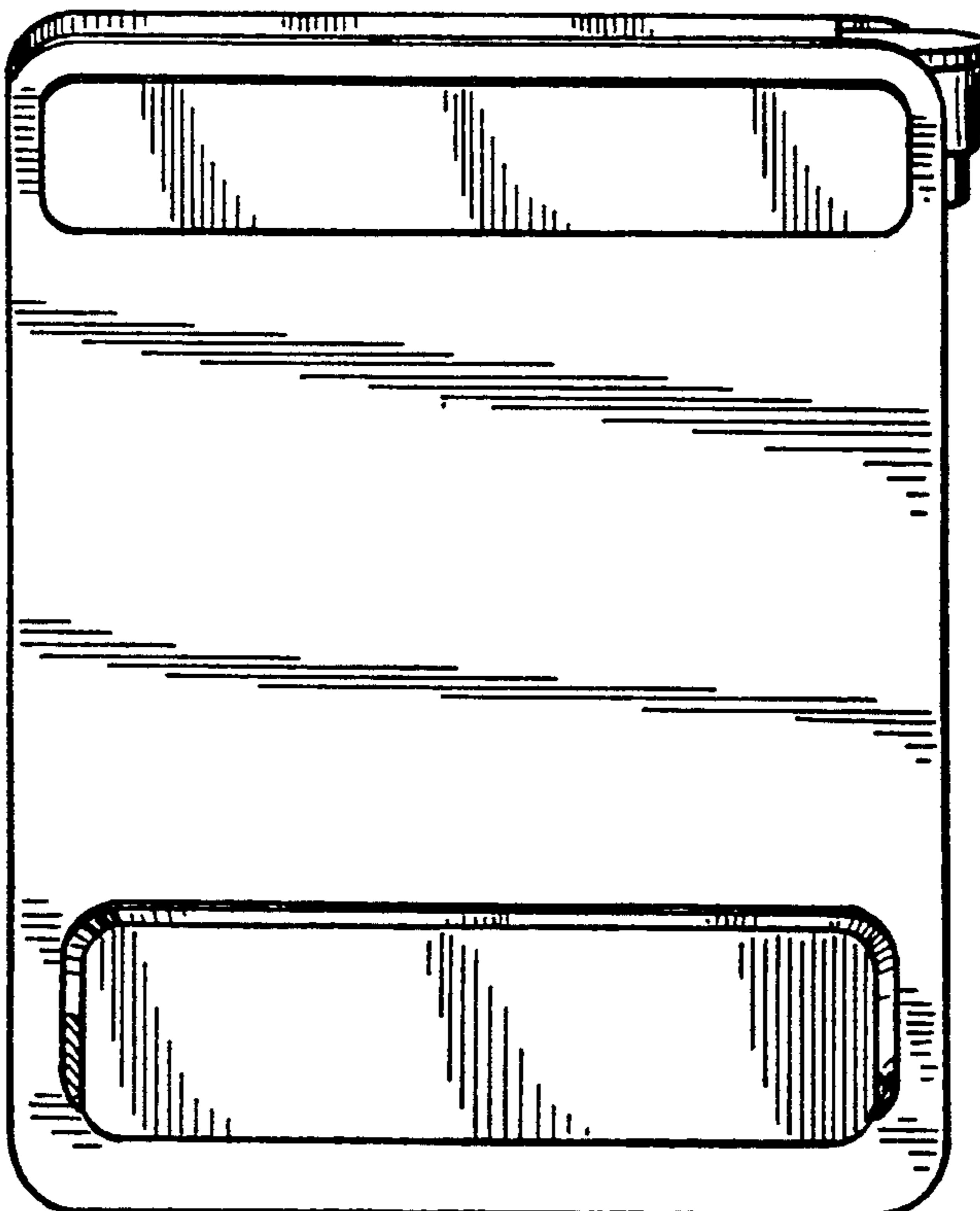


FIG. 5

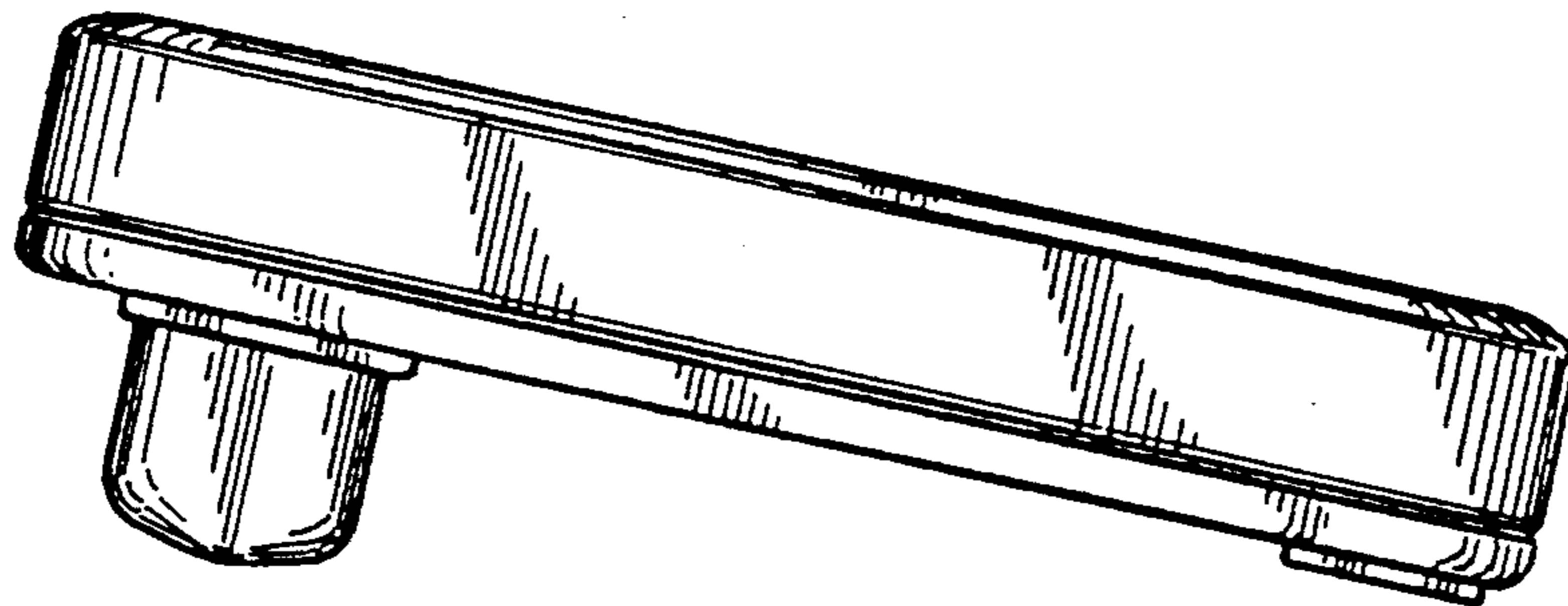


FIG. 6

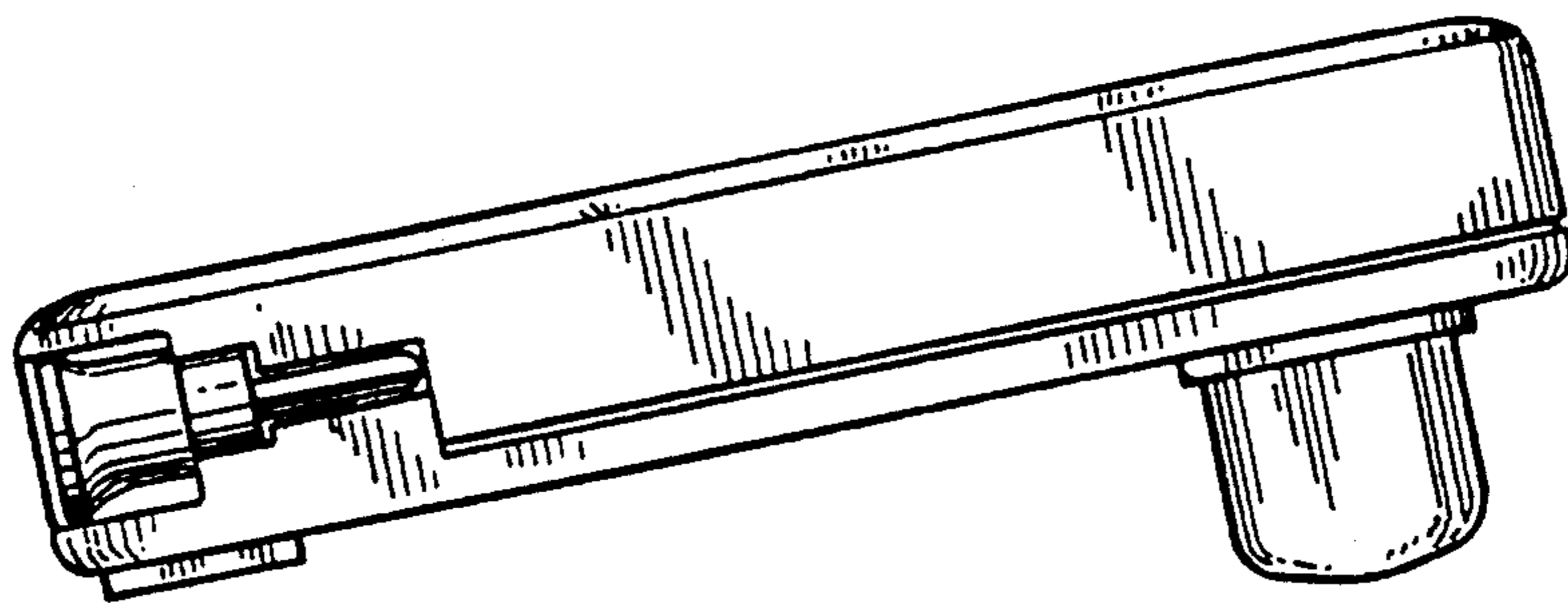


FIG. 7

