



US00D324220S

United States Patent [19]

[11] Patent Number: **Des. 324,220**

Evans et al.

[45] Date of Patent: **** Feb. 25, 1992**

[54] CLAM SHELL MOUNT

[75] Inventors: **Jack Evans; Allen DeMarre**, both of Fountain Valley, Calif.

[73] Assignee: **Cellular I.C. Corp.**, Mokena, Ill.

[**] Term: **14 Years**

[21] Appl. No.: **428,747**

[22] Filed: **Oct. 30, 1989**

[52] U.S. Cl. **D14/253; D14/138**

[58] Field of Search **D14/253; 379/454, 59; D8/394, 395, 396; 24/165; 248/291, 185**

[56] References Cited

U.S. PATENT DOCUMENTS

D. 26,027	9/1896	Heydebrand et al.	D8/387
D. 218,017	7/1970	Brown	D8/387
D. 299,008	12/1988	Näslund	D8/395 X
D. 308,405	6/1990	Yoder	D8/394 X
D. 310,167	8/1990	Reber, II	D8/394
1,015,717	1/1912	Shimer	248/291 X
3,241,206	3/1966	Greenfield	24/165 X
3,432,895	3/1969	Nyberg et al.	24/265
4,028,780	6/1977	Vernon	D8/396 X
4,776,553	10/1988	Kobayashi	379/454 X
4,797,916	1/1989	Kojima	379/454
4,960,256	10/1990	Chichara et al.	248/291 X

OTHER PUBLICATIONS

Chicago Writing Machine Co.; Advertisement in Telephony, Mar. 1903; "Adustaphone".

Primary Examiner—Horace B. Fay, Jr.
Attorney, Agent, or Firm—Hawes & Fischer

[57] CLAIM

The ornamental design for a clam shell mount, as shown and described.

DESCRIPTION

FIG. 1 is a front, top and right side perspective view of an assembled clam shell mount showing our new design;

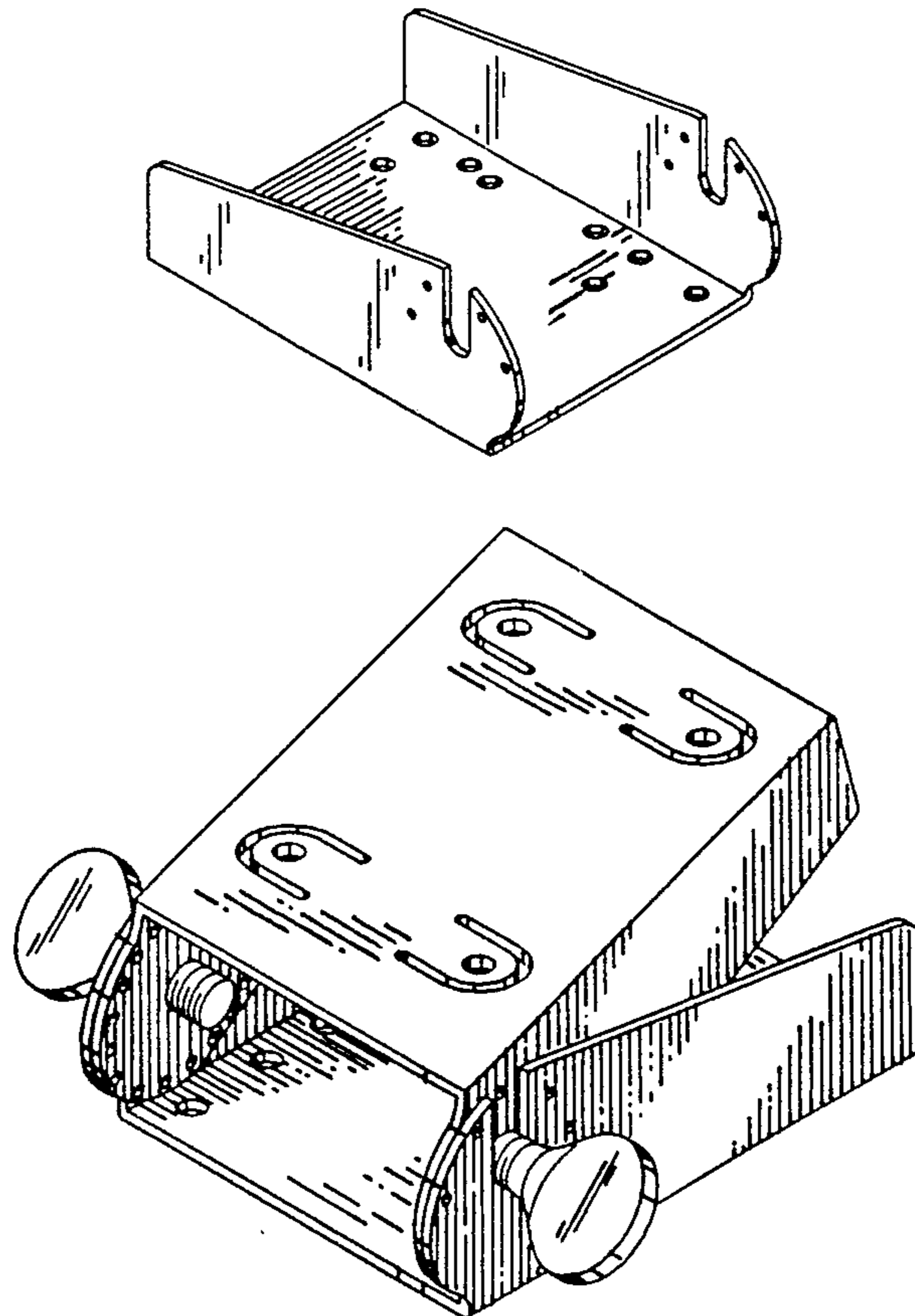
FIGS. 2a and 2b are respectively separate perspective views (1) of the upper portion of the clam shell, and (2) of the bottom portion of the clam shell;

FIGS. 3a and 3b are respectively separate perspective views (1) of the under side of the top portion of the clam shell, and (2) of the bottom side of the lower portion of the clam shell;

FIG. 4 is a front elevational view of the assembled mount portions thereof;

FIG. 5 is a left side elevational view of the mount in closed position; the side opposite being a mirror image thereof; and

FIG. 6 is a rear elevational view of the assembled mount as shown in FIG. 4.



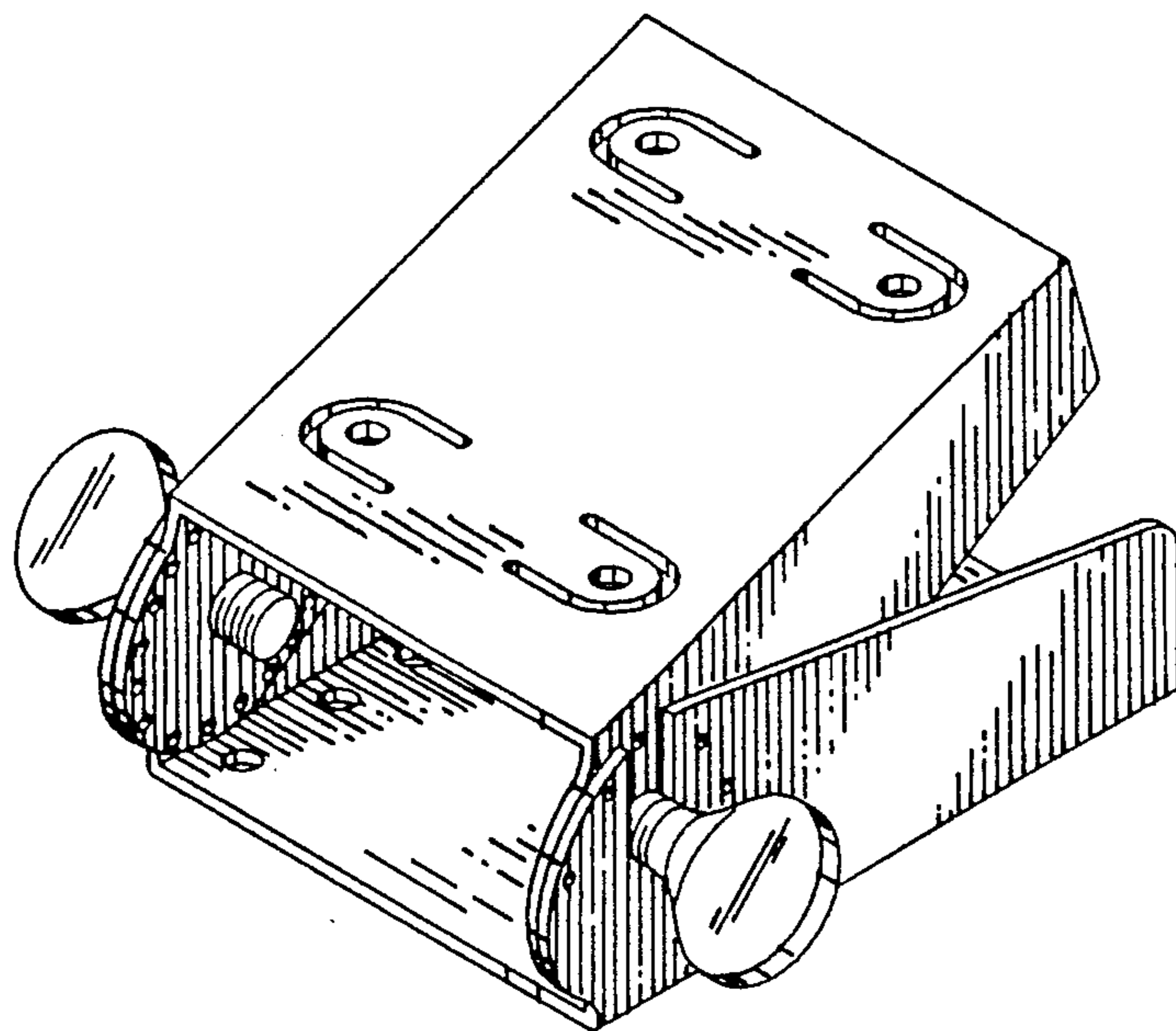


FIG. 1

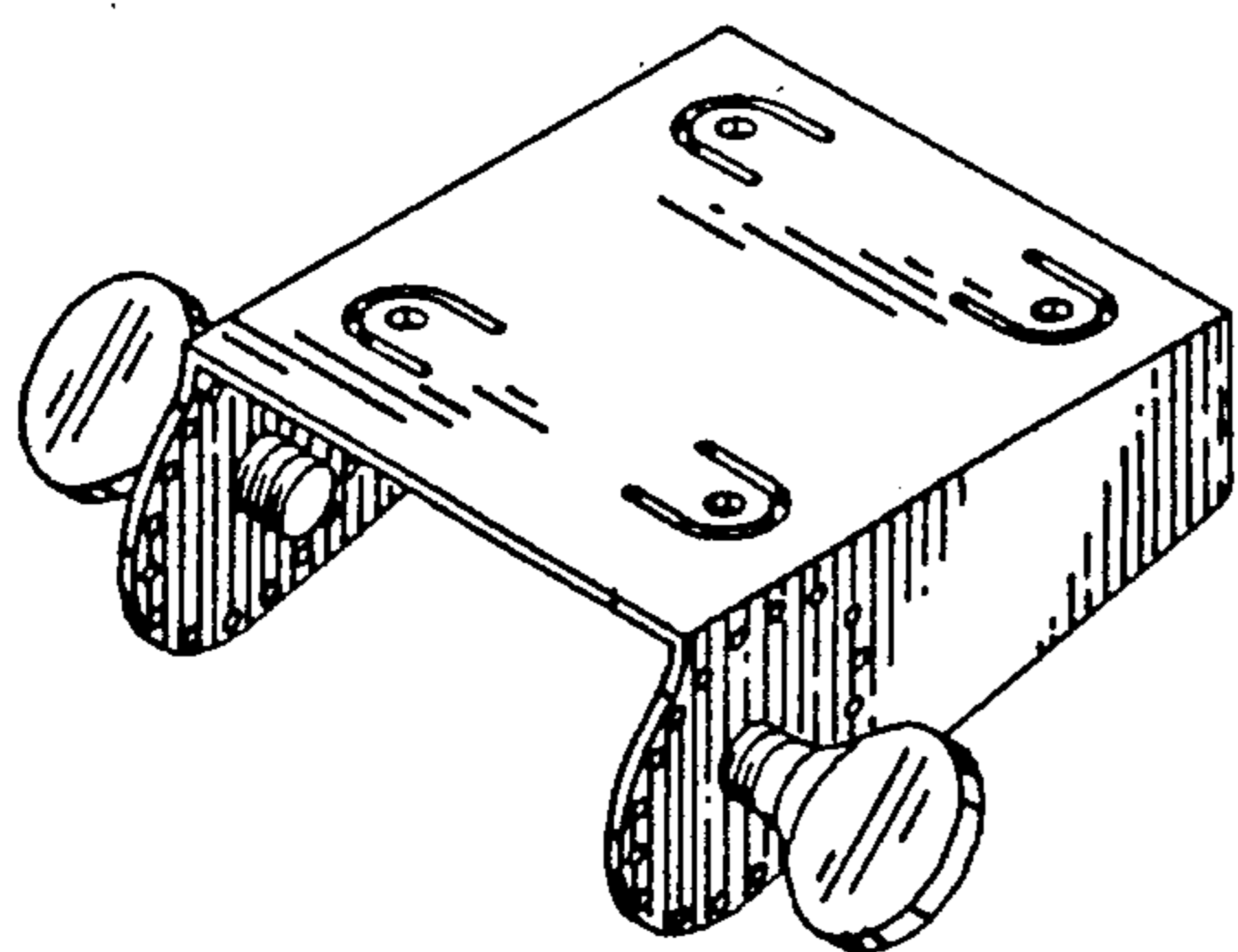


FIG. 2a

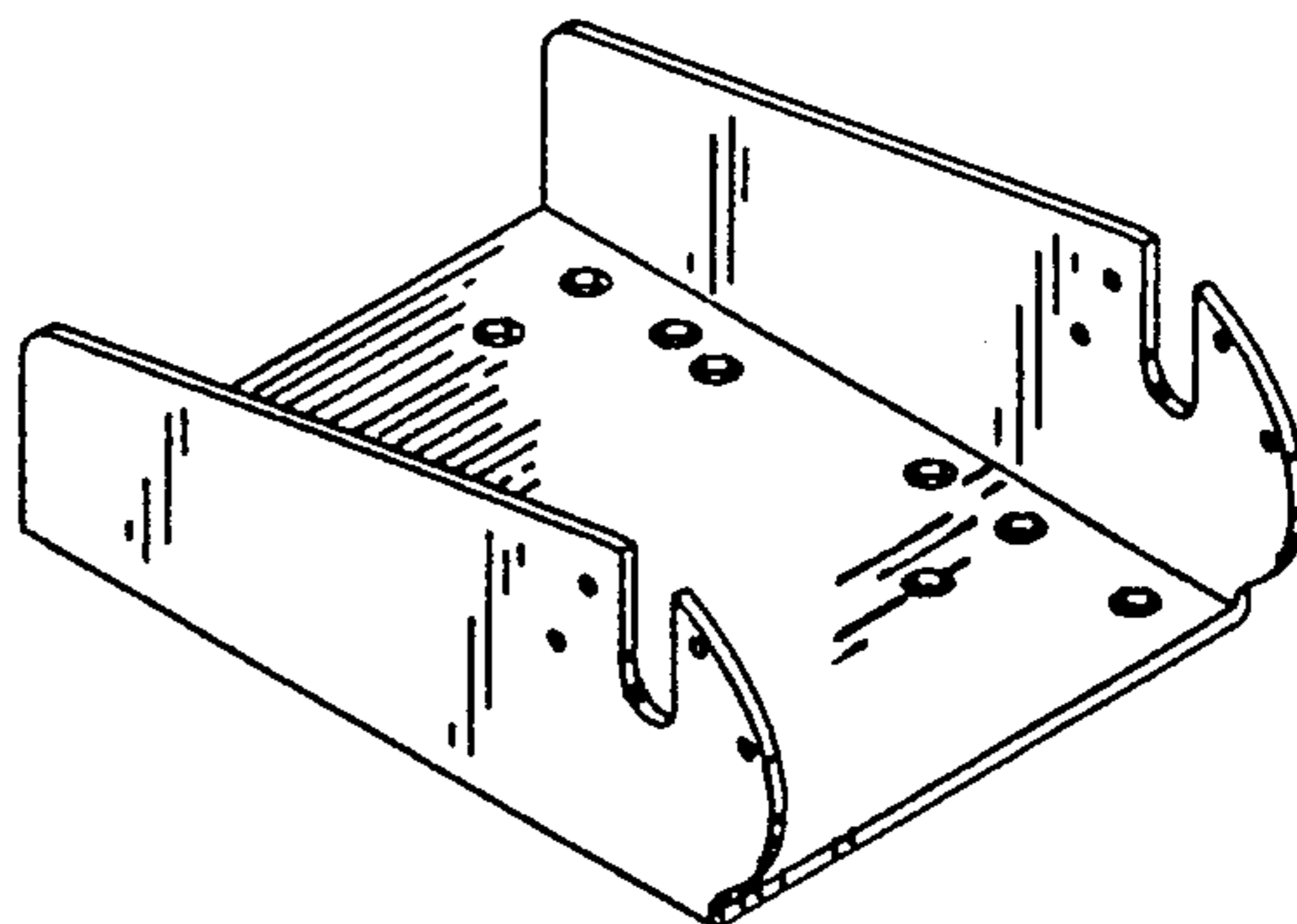


FIG. 2b

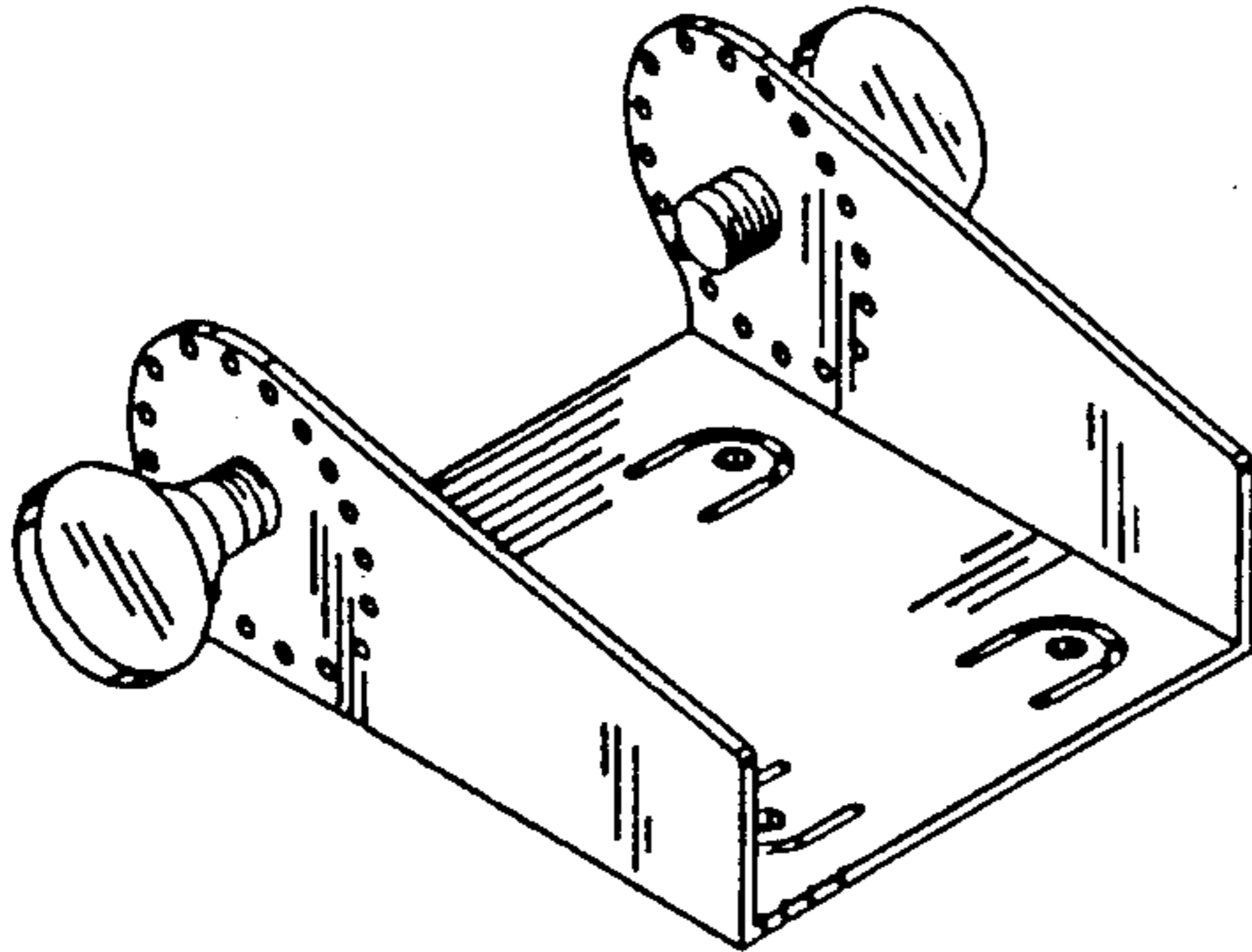


FIG. 3a

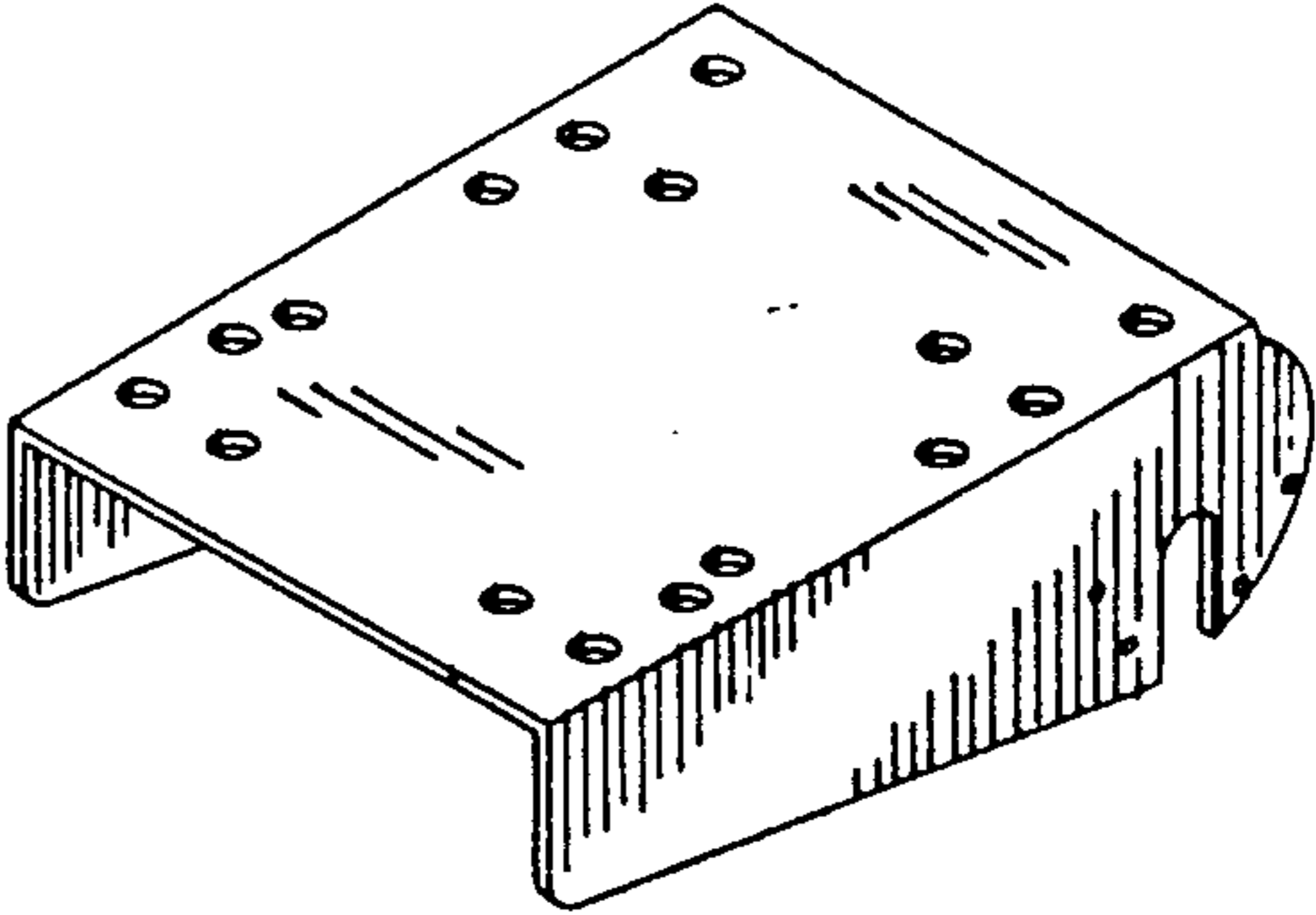


FIG. 3b

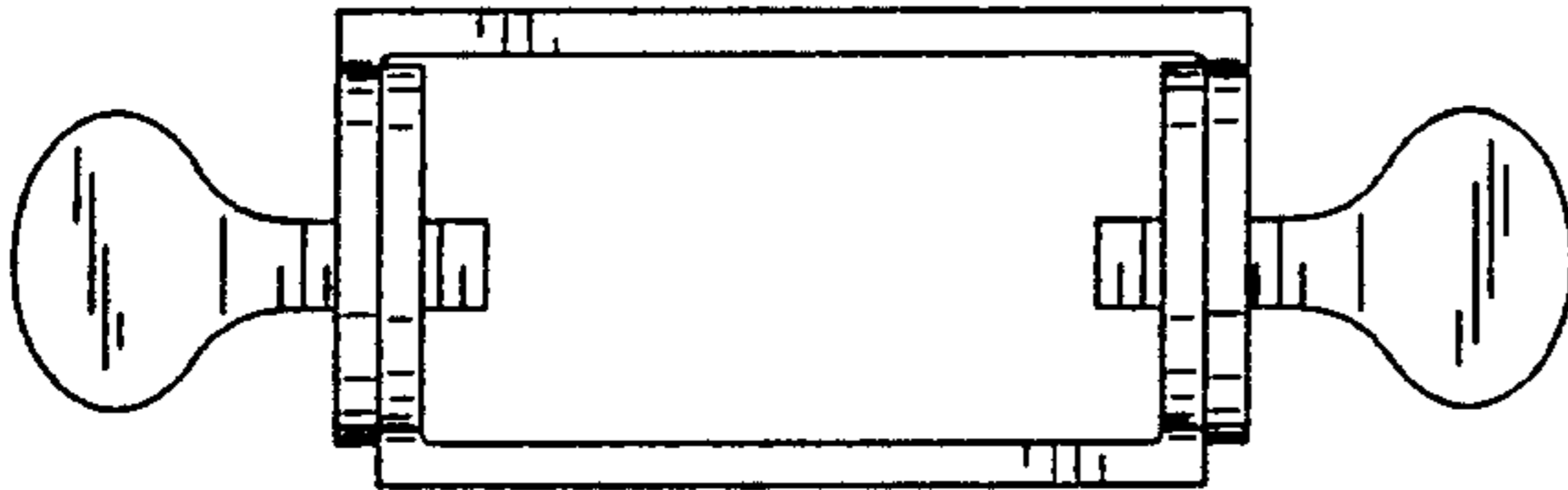


FIG. 4

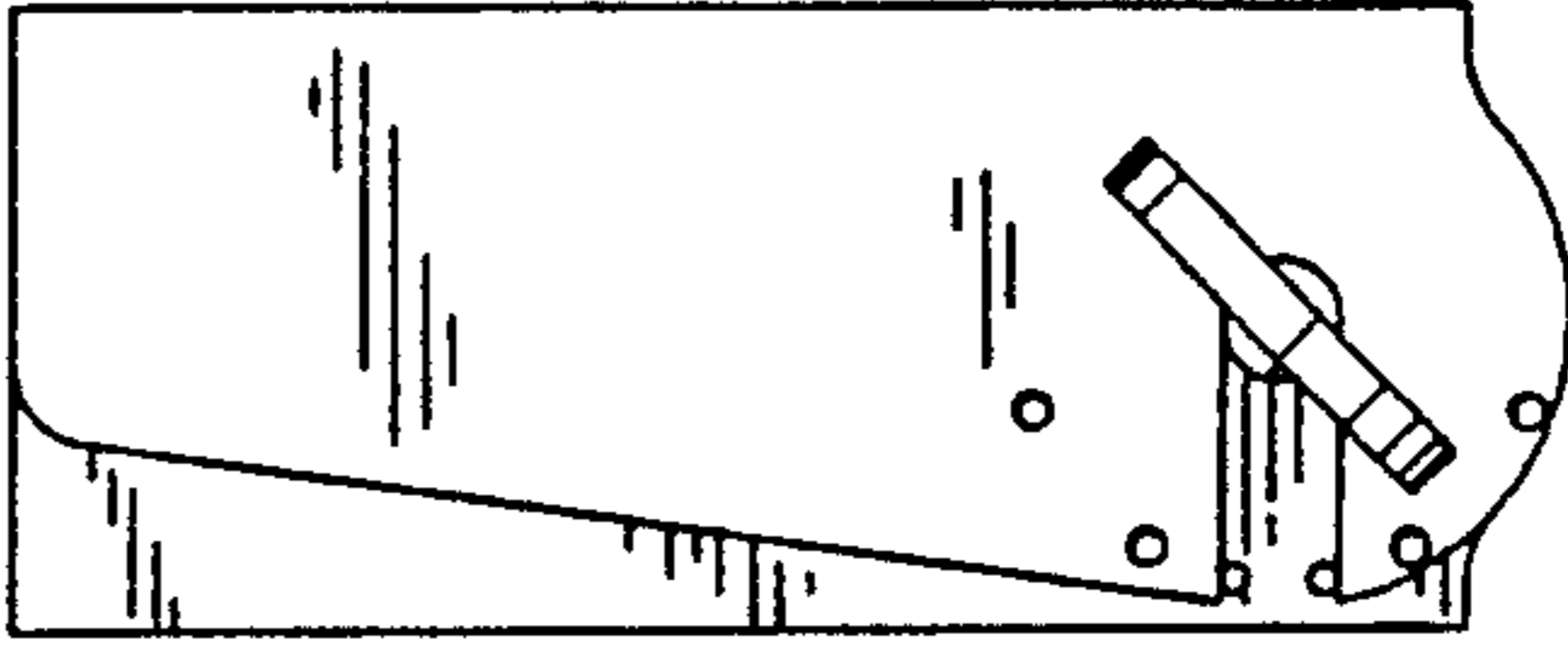


FIG. 5

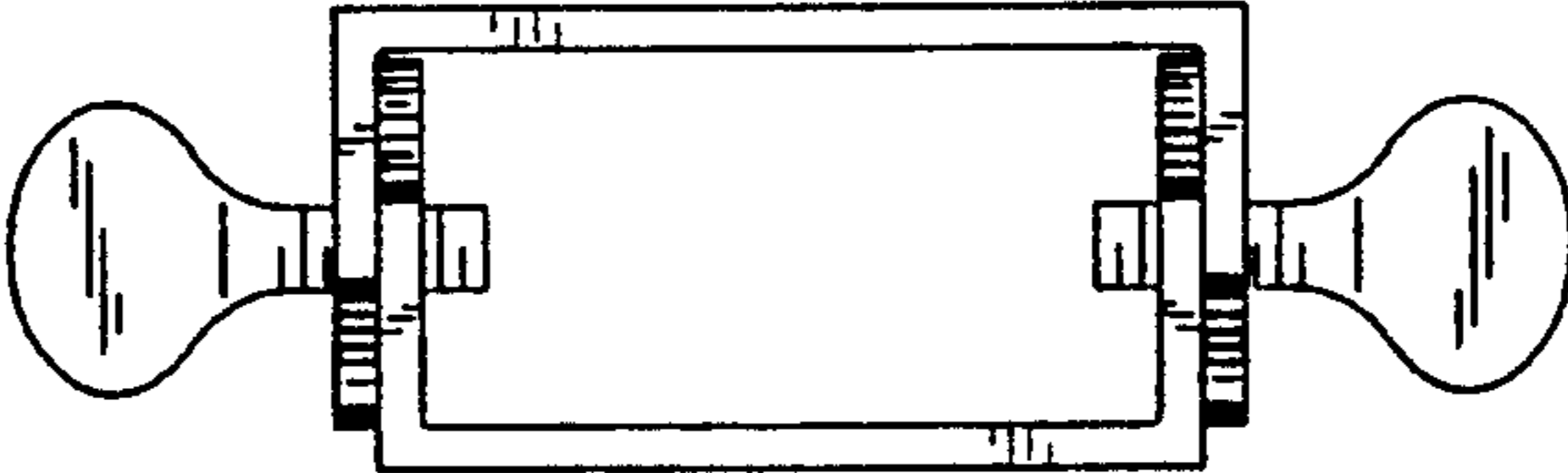


FIG. 6