



US00D324219S

United States Patent [19]

[11] Patent Number: **Des. 324,219**

Besasie

[45] Date of Patent: **** Feb. 25, 1992**

[54] **COMBINED MICROPHONE AND PARABOLIC REFLECTOR**

D. 283,222	4/1986	Lindmark et al.	D14/231
D. 306,862	3/1990	Kent	D14/231 X
3,881,056	4/1975	Gibson et al.	381/155
4,037,052	7/1977	Doi	381/155

[75] Inventor: **Joseph C. Besasie**, Shorewood, Wis.

Primary Examiner—Theodore M. Shooman
Attorney, Agent, or Firm—Wheeler Law Firm

[73] Assignee: **Silver Creek Nurseries, Inc.**, Manitowoc, Wis.

[**] Term: **14 Years**

[57] **CLAIM**

[21] Appl. No.: **359,051**

The ornamental design for a combined microphone and parabolic reflector, as shown and described.

[22] Filed: **May 30, 1989**

DESCRIPTION

[52] U.S. Cl. **D14/225; D14/228; D14/226**

FIG. 1 is a top, front and right side perspective view of a combined microphone and parabolic reflector showing my new design;

[58] Field of Search **D14/204, 207, 215, 216, D14/225, 226, 228, 124, 299, 231, 235, 217, 227, 229; 381/155, 160, 168, 124, 91**

FIG. 2 is a bottom plan view thereof;

FIG. 3 is a front elevational view thereof;

FIG. 4 is a rear elevational view thereof;

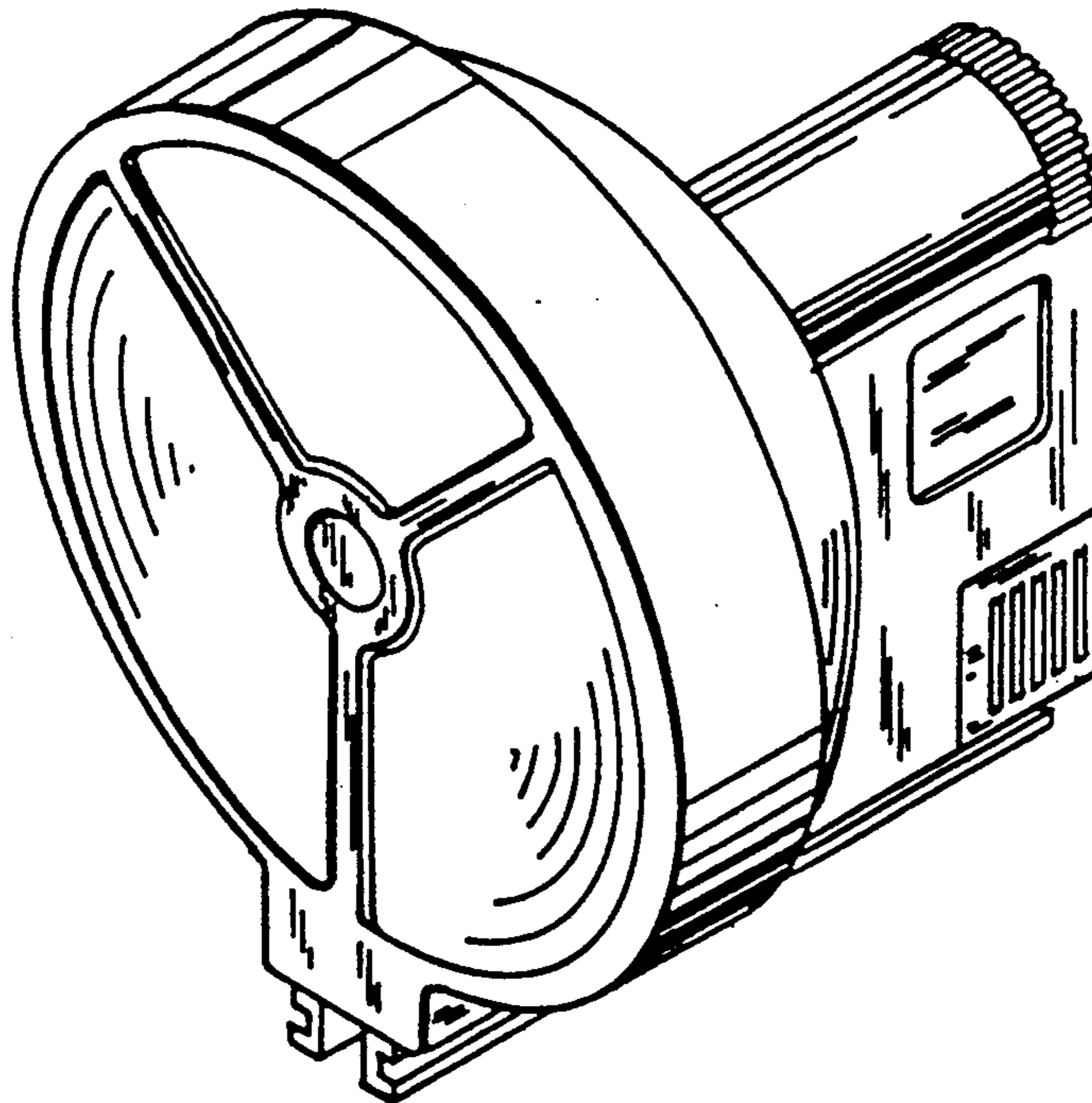
FIG. 5 is a right side elevational view thereof, the left side being a mirror image; and

FIG. 6 is a top plan view thereof.

[56] **References Cited**

U.S. PATENT DOCUMENTS

D. 222,269 10/1971 Gibson D14/229



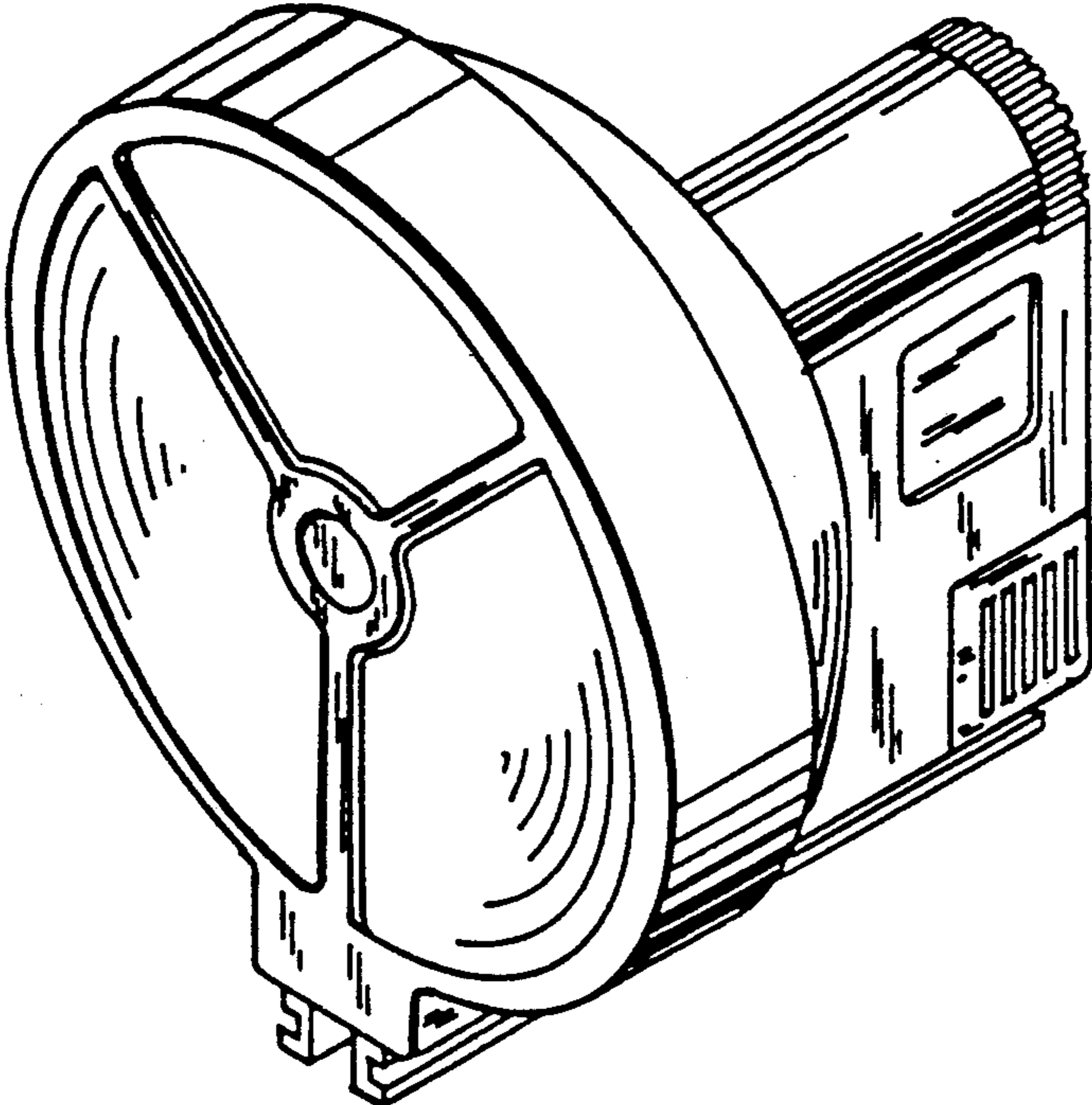


FIG. 1

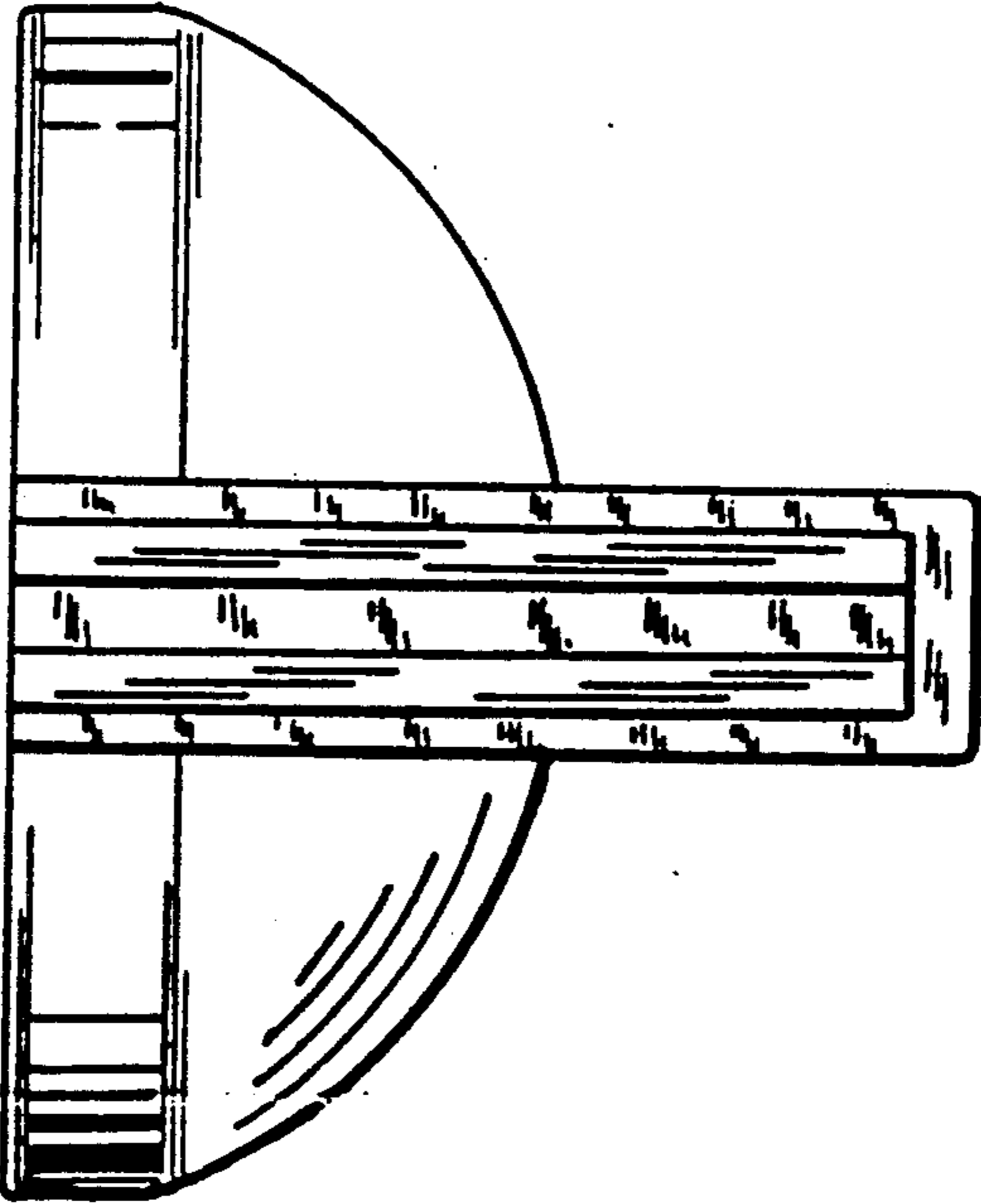


FIG. 2

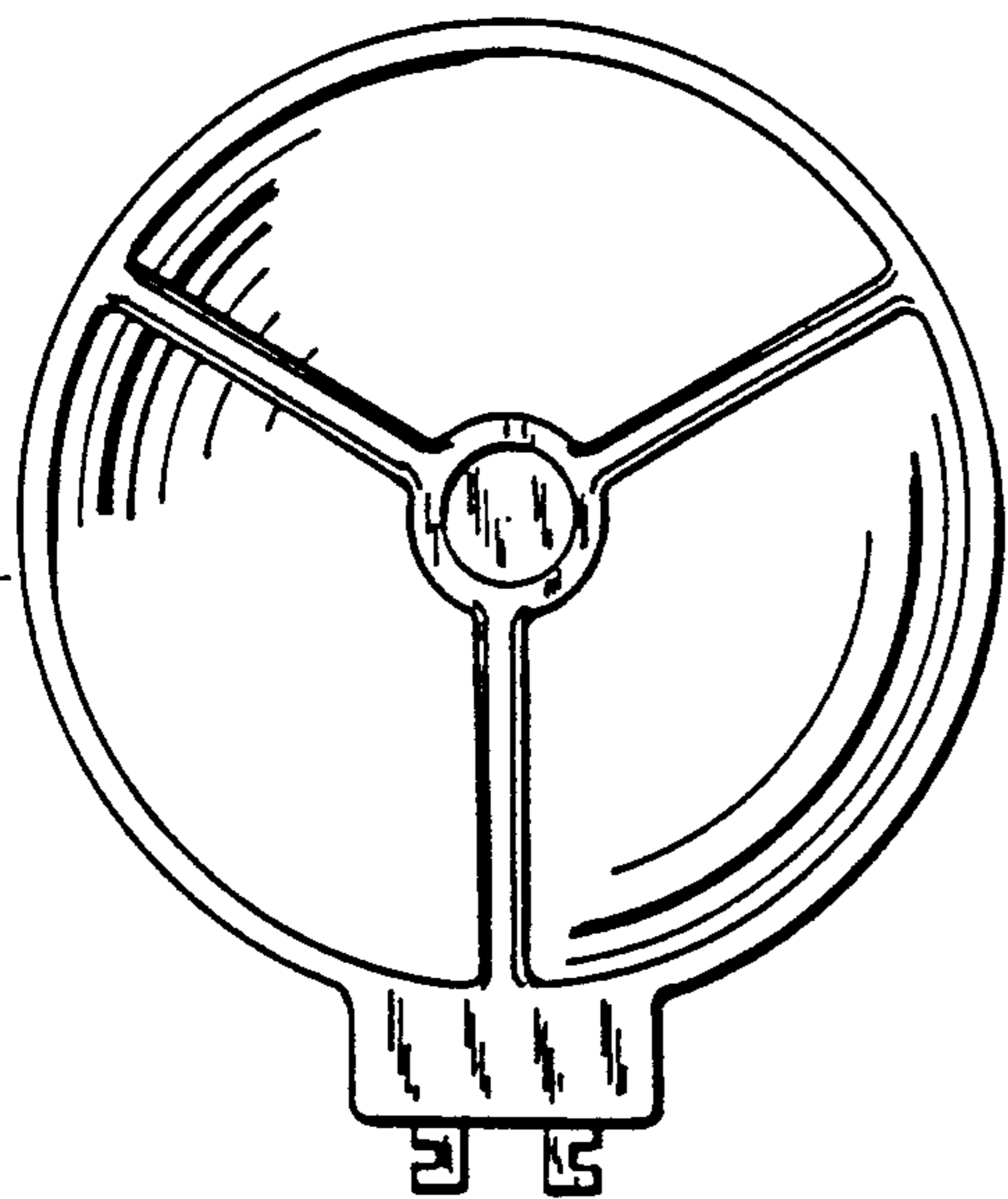


FIG. 3

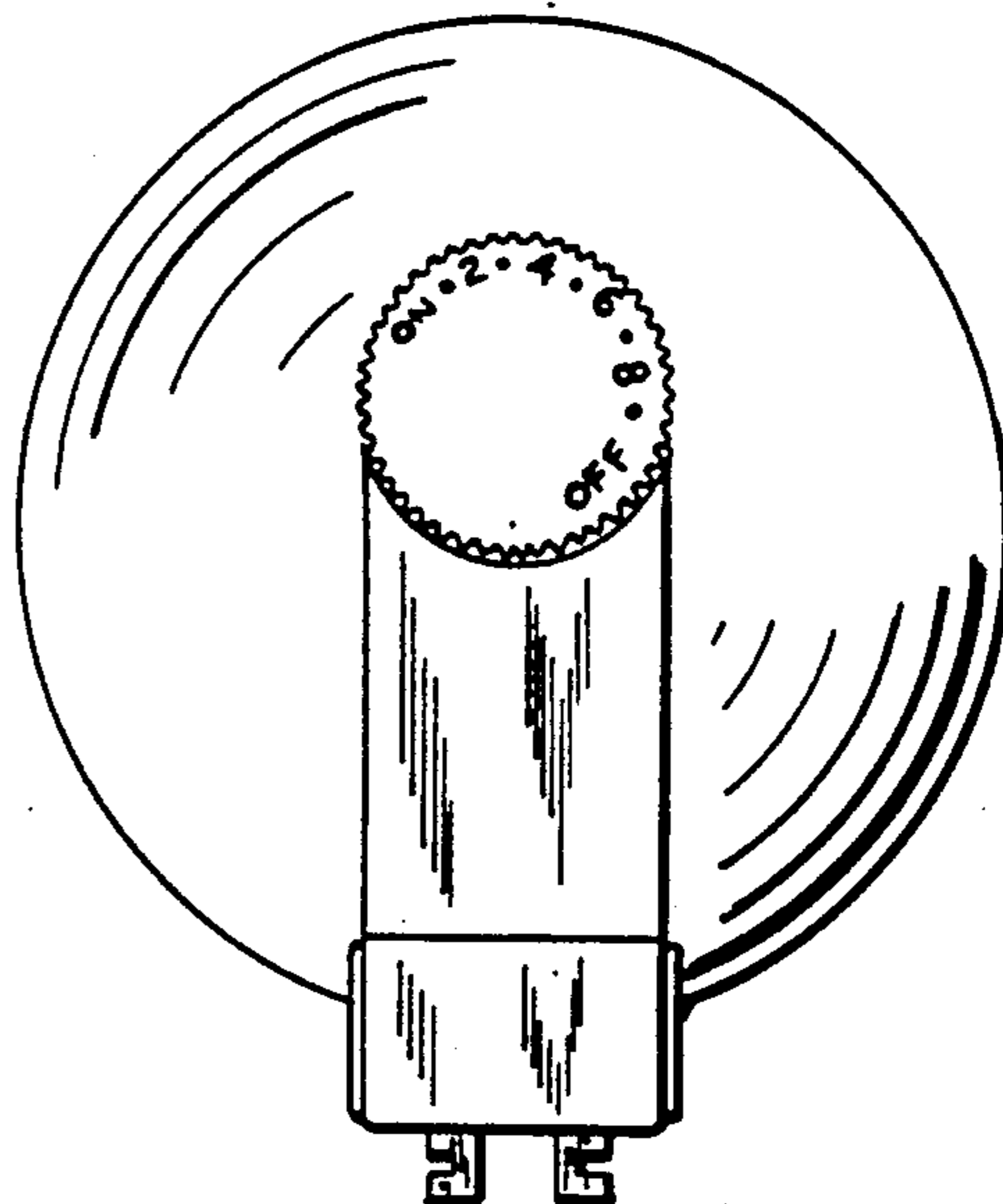


FIG. 4

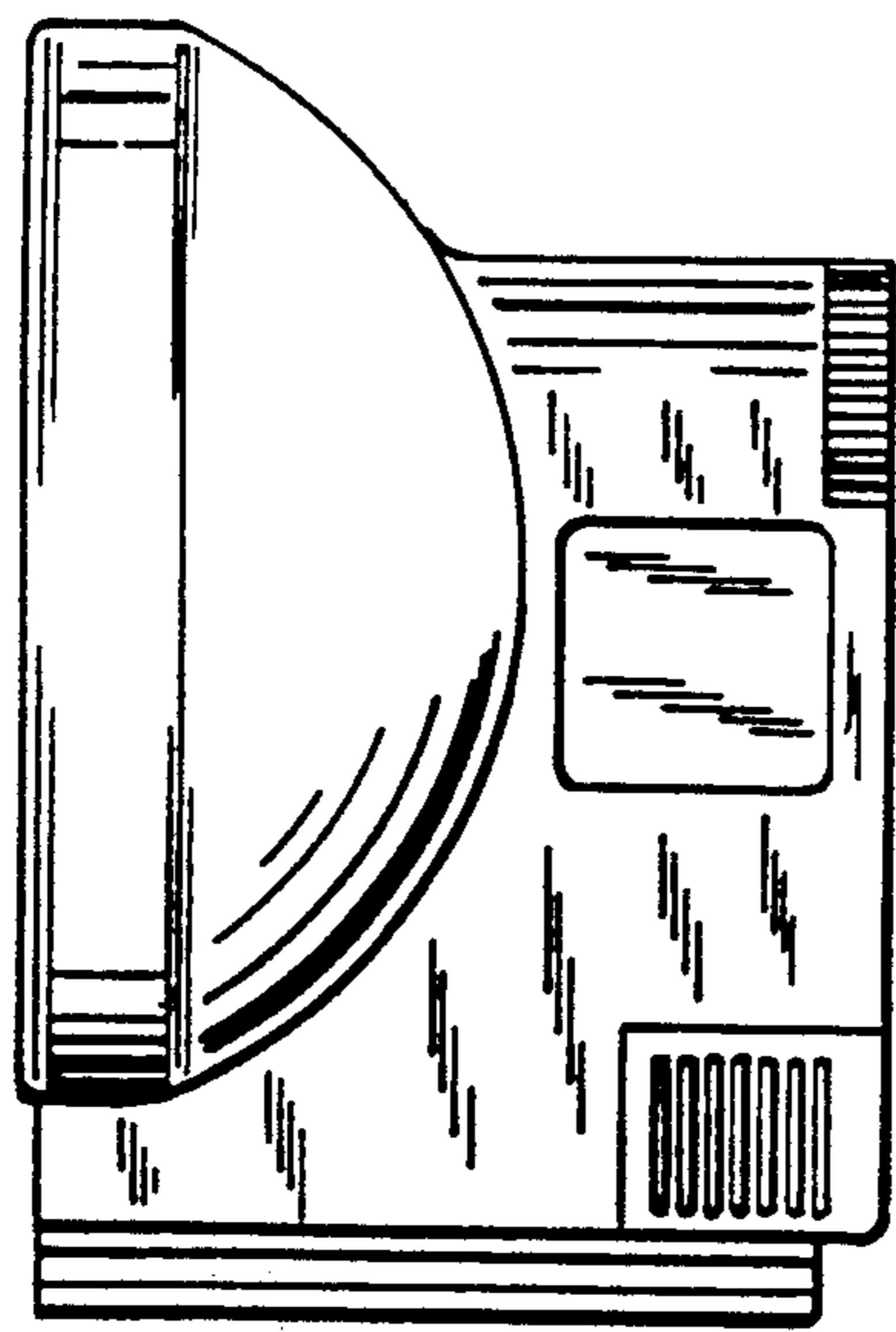


FIG. 5

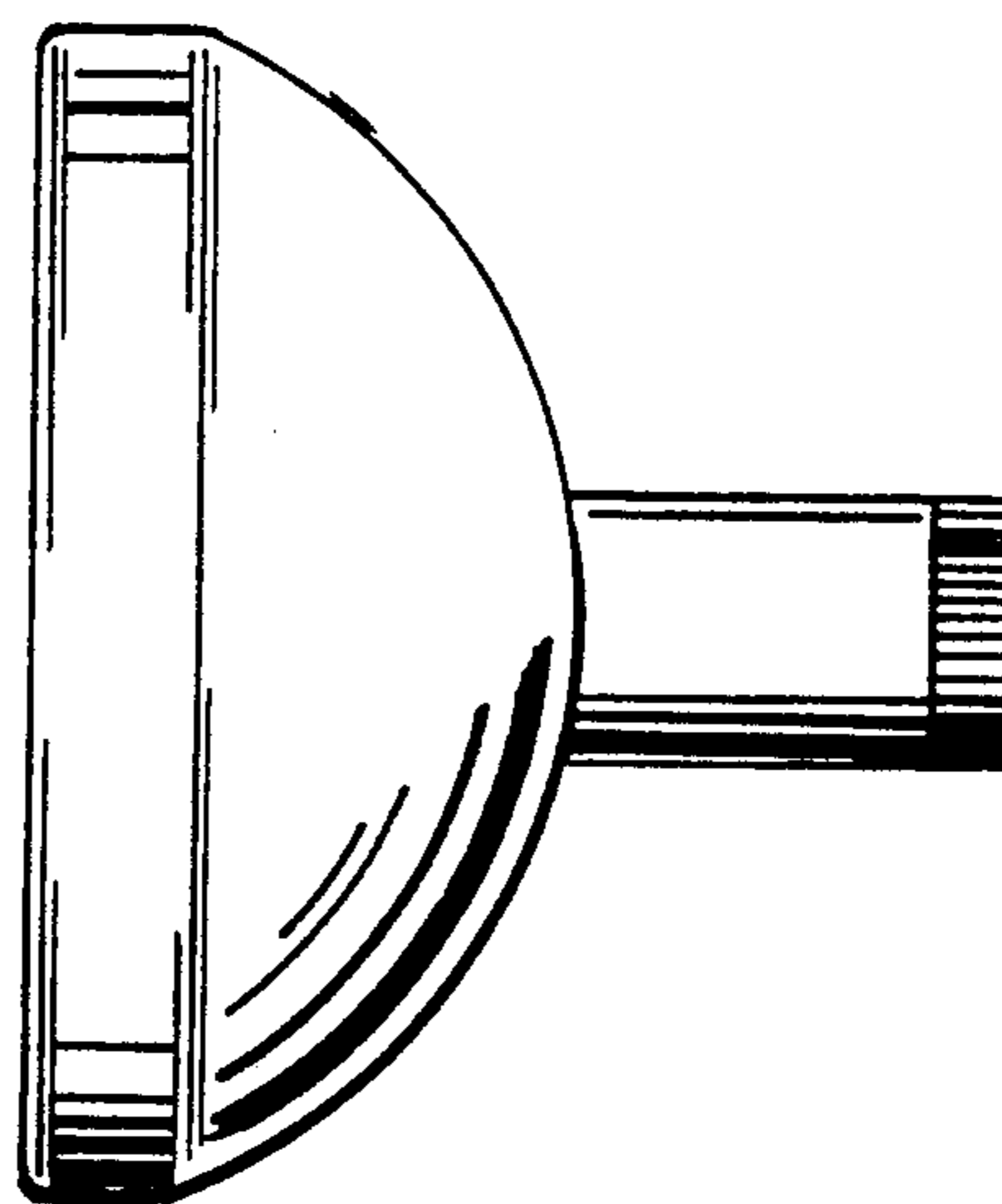


FIG. 6