



US00D324217S

United States Patent [19]

[11] Patent Number: **Des. 324,217**

Suckley

[45] Date of Patent: **** Feb. 25, 1992**

[54] **PARKING UNIT FOR A PORTABLE TELEPHONE OR SIMILAR ARTICLE**

D. 287,586	1/1987	Tanaka	D14/138
D. 304,830	11/1989	Satoh	D14/150
D. 306,729	3/1990	Shaanan et al.	D14/151
D. 307,750	5/1990	Schoenberg	D14/149 X
4,395,591	7/1983	Kaczkos	D14/142 X

[75] Inventor: **Michael Suckley**, Southampton, England

[73] Assignee: **Orbitel Mobile Communications Limited**, Bracknell, England

[**] Term: **14 Years**

[21] Appl. No.: **510,815**

[22] Filed: **Apr. 18, 1990**

[30] **Foreign Application Priority Data**

Oct. 19, 1989 [GB] United Kingdom 2001825

[52] U.S. Cl. **D14/148; D14/142; D14/151**

[58] Field of Search **D14/151, 150, 138, 149, D14/248, 147; 379/433, 440**

[56] **References Cited**

U.S. PATENT DOCUMENTS

D. 245,500	8/1977	Fakushima	D14/138 X
D. 248,758	8/1978	Krolopp	D14/138
D. 285,436	9/1986	Klucznik et al.	D14/148
D. 287,010	12/1986	Sekiguchi et al.	D14/138

OTHER PUBLICATIONS

Magazine Article, Focus on Technology: Siemens Miniset 200; Compact Telephone set; FIGS. 1 & 4; Dec. 19.

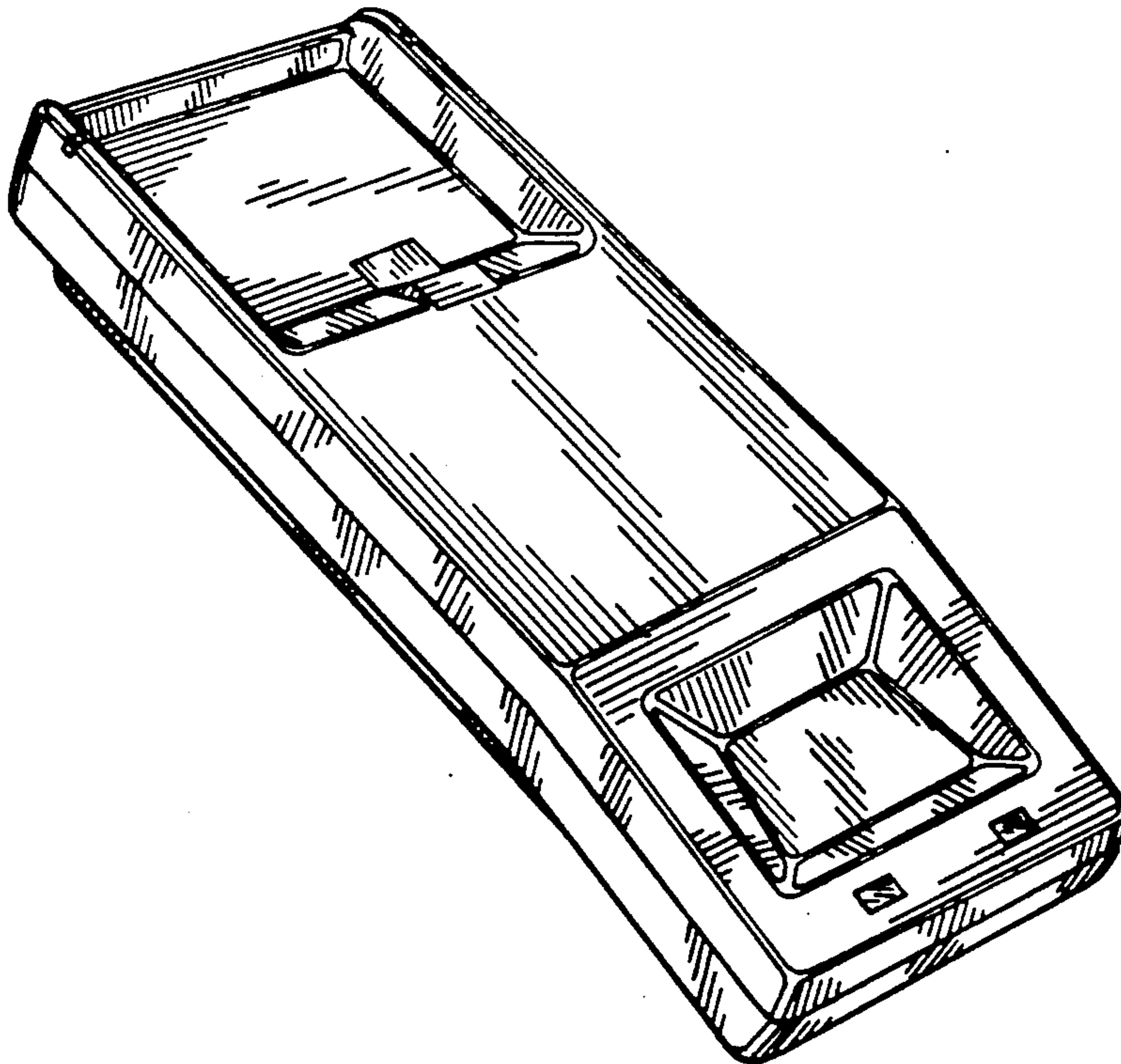
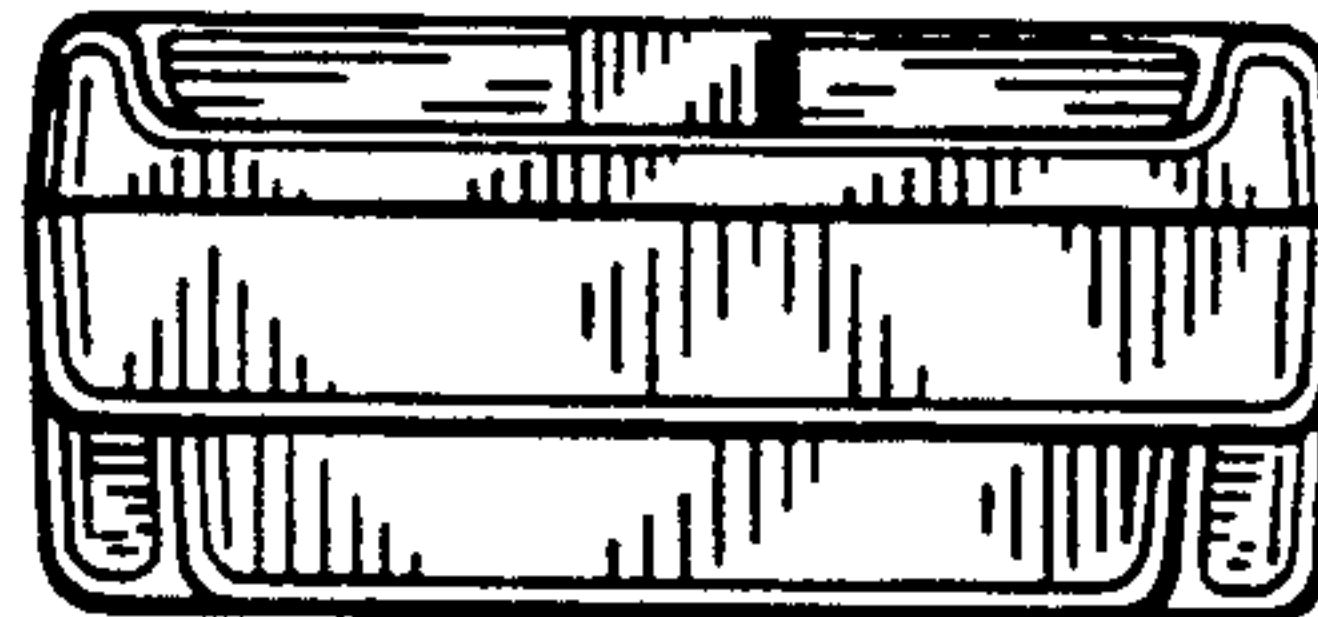
Primary Examiner—Horace B. Fay, Jr.
Attorney, Agent, or Firm—Leydig, Voit & Mayer

[57] **CLAIM**

The ornamental design for a parking unit for a portable telephone or similar article, as shown and described.

DESCRIPTION

FIG. 1 is a left side, top and front end perspective view of a parking unit for a portable telephone or similar article showing my new design;
FIG. 2 is a left side elevational view thereof, the side opposite being a mirror image;
FIG. 3 is a top plan view thereof; and
FIGS. 4 and 5 are respectively rear and front end elevational views thereof.



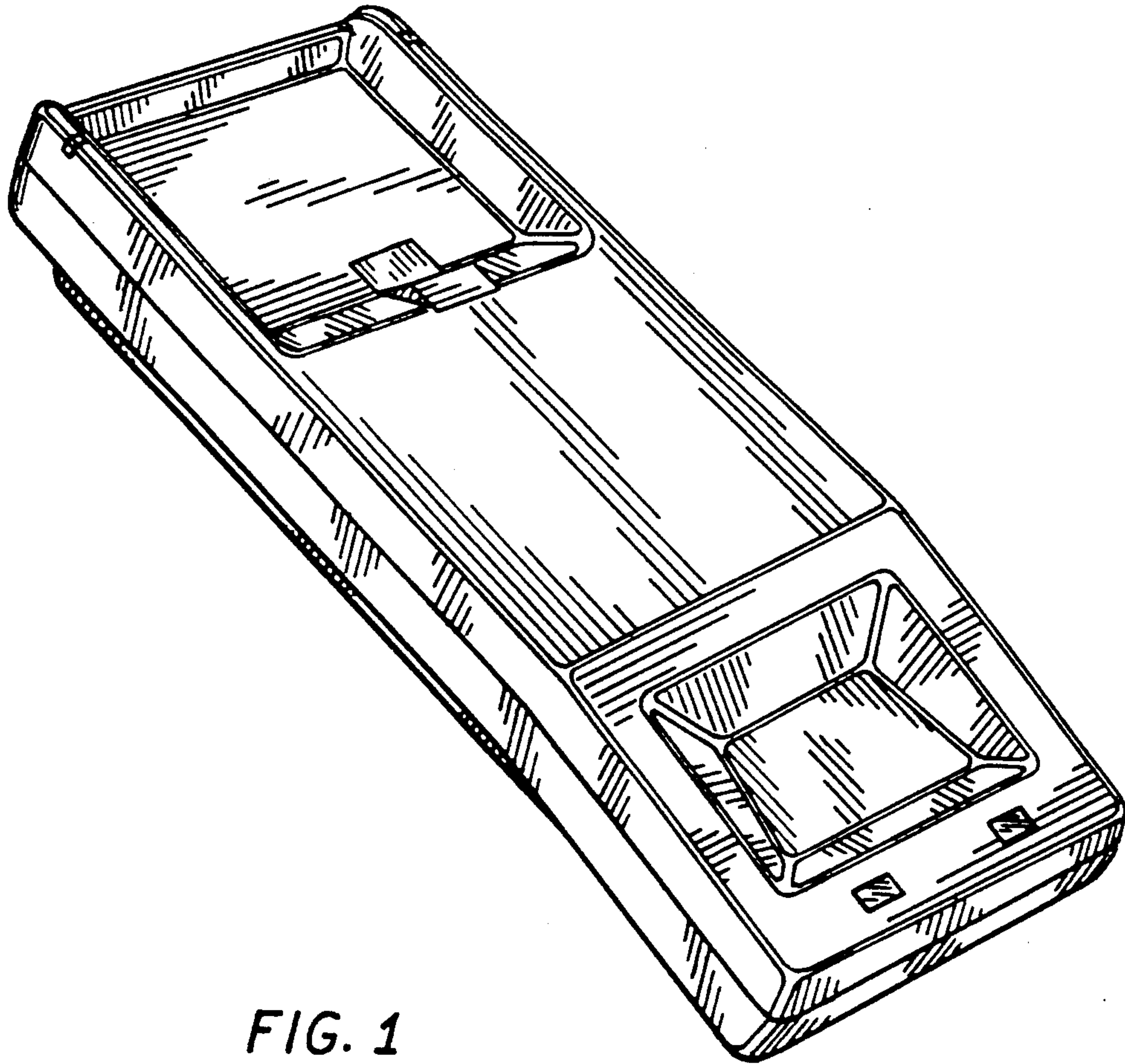


FIG. 1

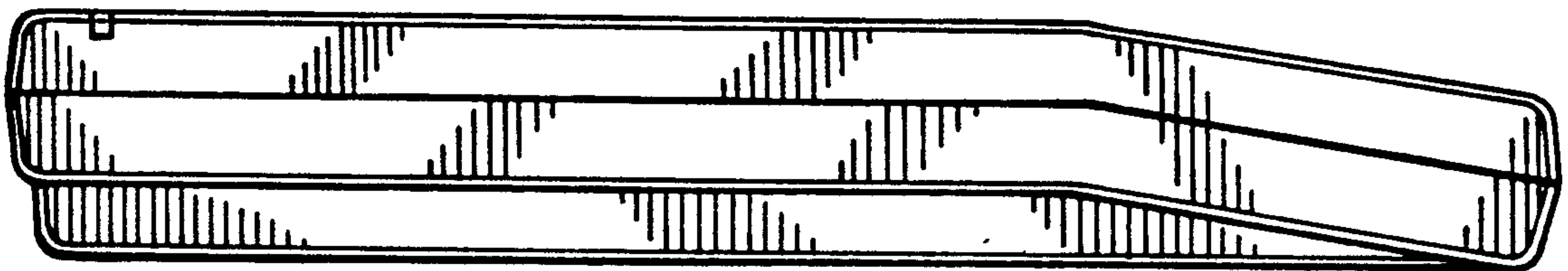


FIG. 2

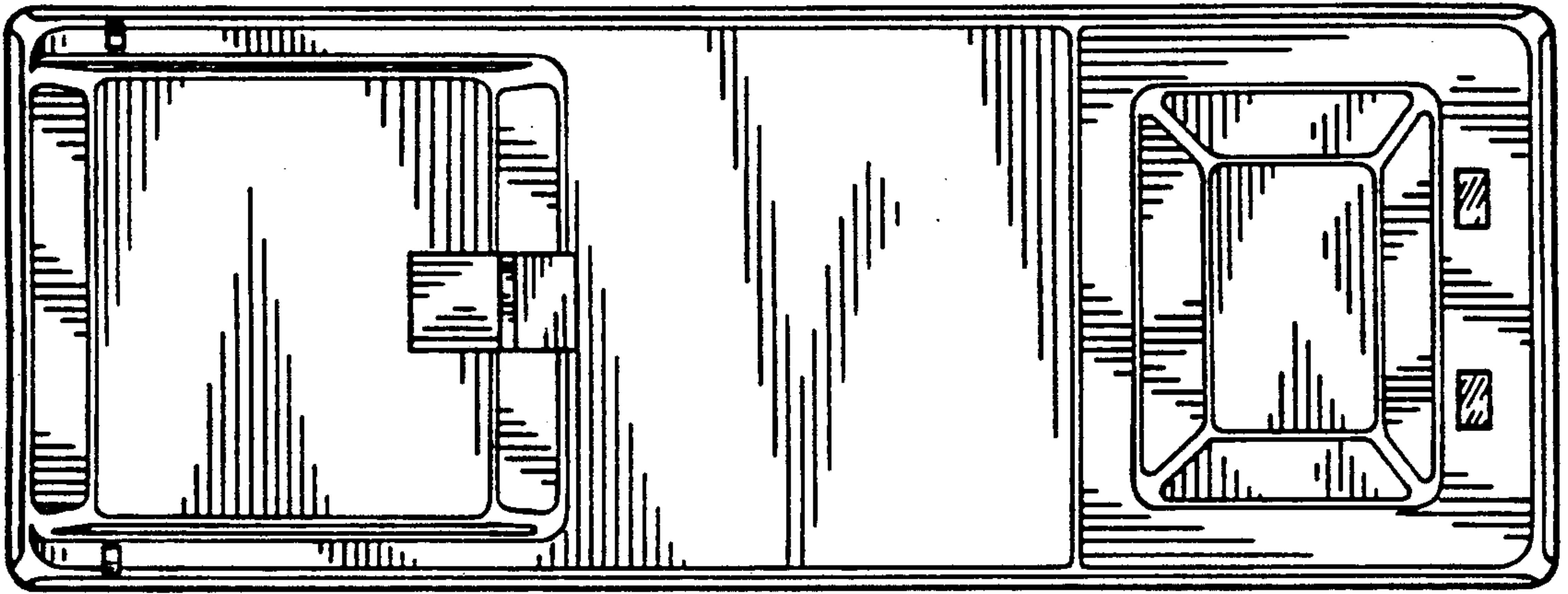


FIG. 3

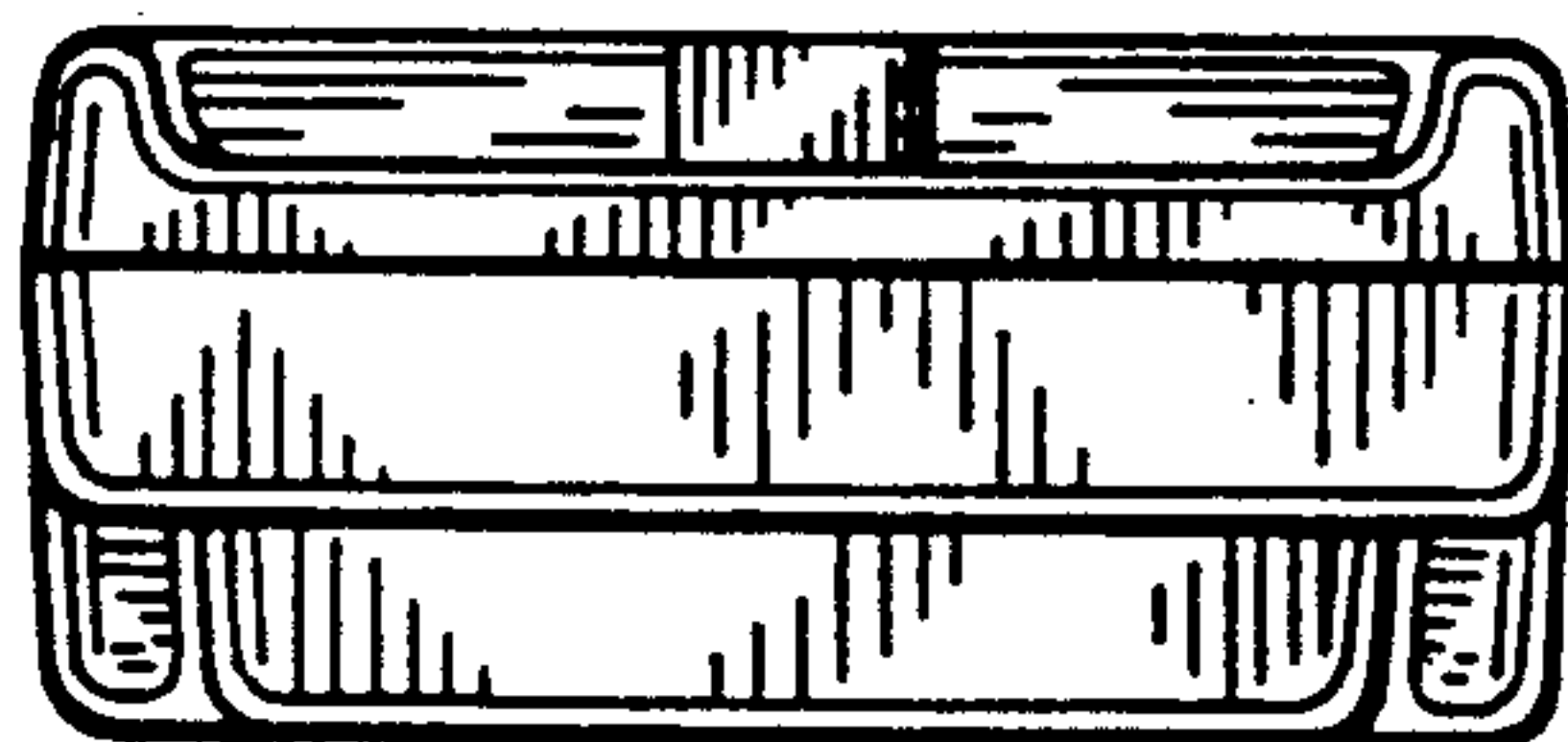


FIG. 4

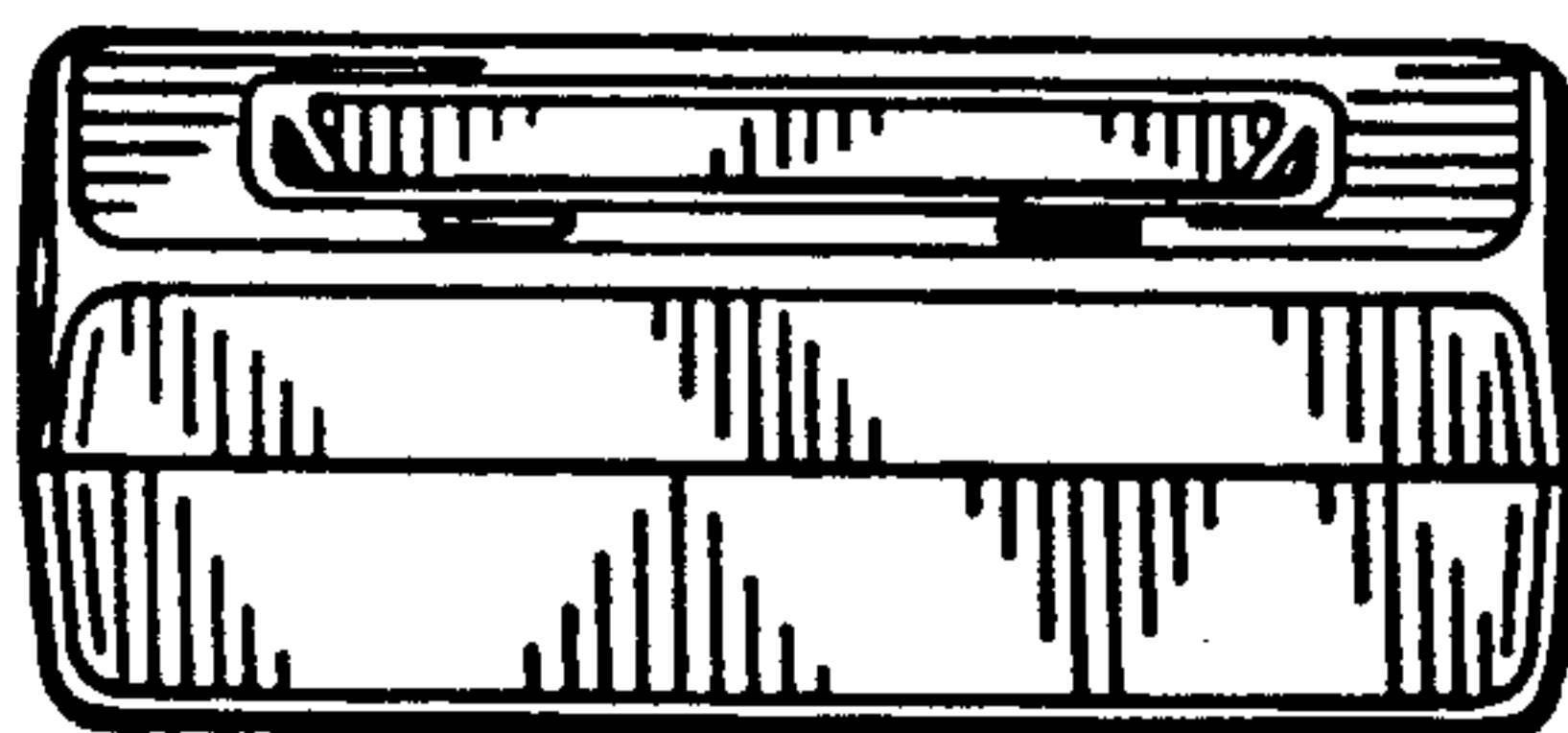


FIG. 5