



US00D324216S

United States Patent [19]

[11] Patent Number: **Des. 324,216**

Gobindram

[45] Date of Patent: **** Feb. 25, 1992**

[54] **AUTOMOBILE TELEPHONE SET**

[75] Inventor: **Kash Gobindram, Ronkonkoma, N.Y.**

[73] Assignee: **Kash 'N Gold, Ltd., Ronkonkoma, N.Y.**

[**] Term: **14 Years**

[21] Appl. No.: **692,478**

[22] Filed: **Apr. 29, 1991**

[52] U.S. Cl. **D14/143; D14/248; D14/142; D21/111**

[58] Field of Search **D14/143, 151, 147, 248, D14/142; D21/111; 379/433, 434, 440**

[56] **References Cited**

U.S. PATENT DOCUMENTS

D. 259,042	4/1981	Read et al.	D21/111 X
D. 260,016	7/1981	Thomas	D21/111
D. 260,017	7/1981	Thomas	D21/111 X
D. 260,391	8/1981	Thomas	D21/111 X
D. 261,647	11/1981	Thomas	D21/111 X
D. 261,649	11/1981	Thomas	D21/111 X

D. 269,779	7/1983	Bevilacqua et al.	D14/143
D. 274,921	7/1984	Nakao et al.	D21/111
D. 291,570	8/1987	Basch	D14/147 X
D. 303,260	9/1989	Gobindram	D14/248 X
D. 305,758	1/1990	Wilson	D14/151 X

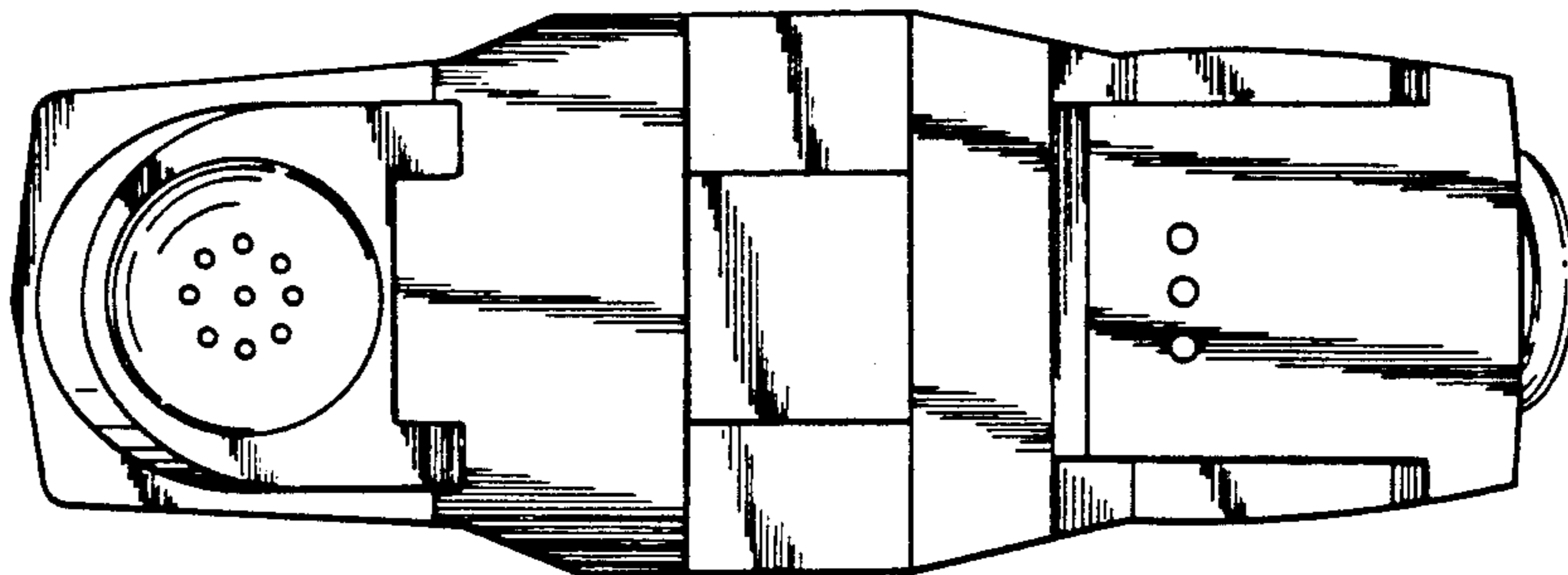
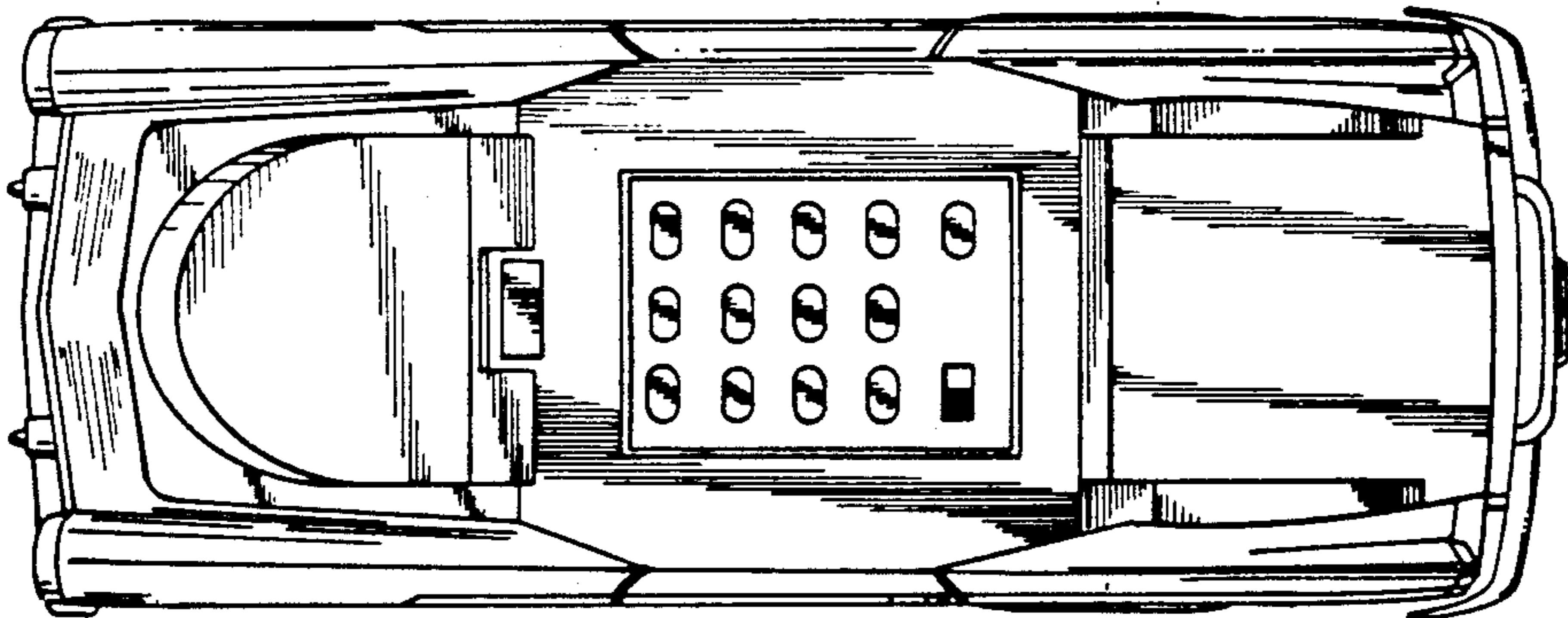
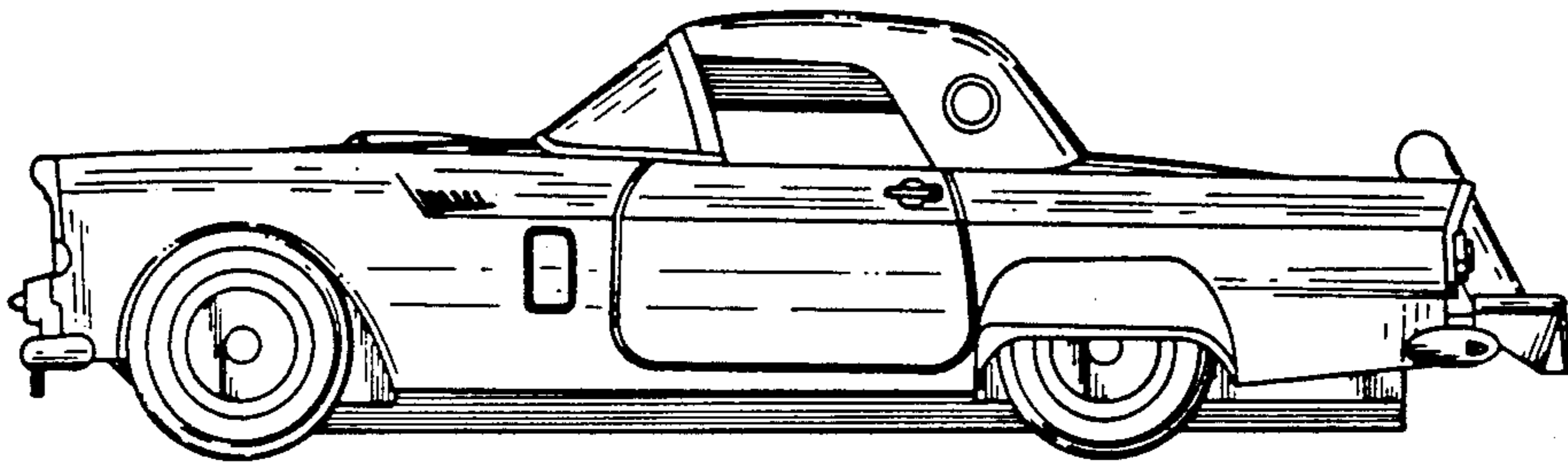
Primary Examiner—Horace B. Fay, Jr.
Attorney, Agent, or Firm—Cooper & Dunham

[57] CLAIM

The ornamental design for an automobile telephone set, as shown and described.

DESCRIPTION

FIG. 1 is a right side elevational view of an automobile telephone set showing my new design in cradled relationship, the side opposite being a mirror image; FIGS. 2 and 3 are respectively top and bottom plan views thereof; FIGS. 4 and 5 are respectively front and rear elevational views thereof; and FIG. 6 is a bracket associated top plan view of the base component of the automobile telephone set, and a bottom plan view of the handset component of the telephone set.



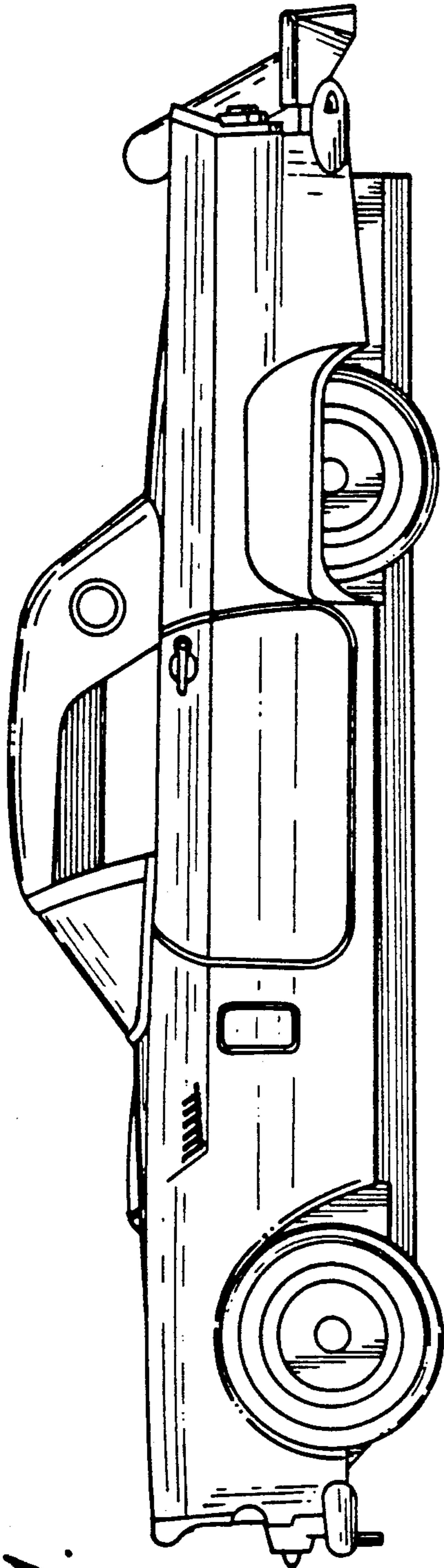


FIG. 1.

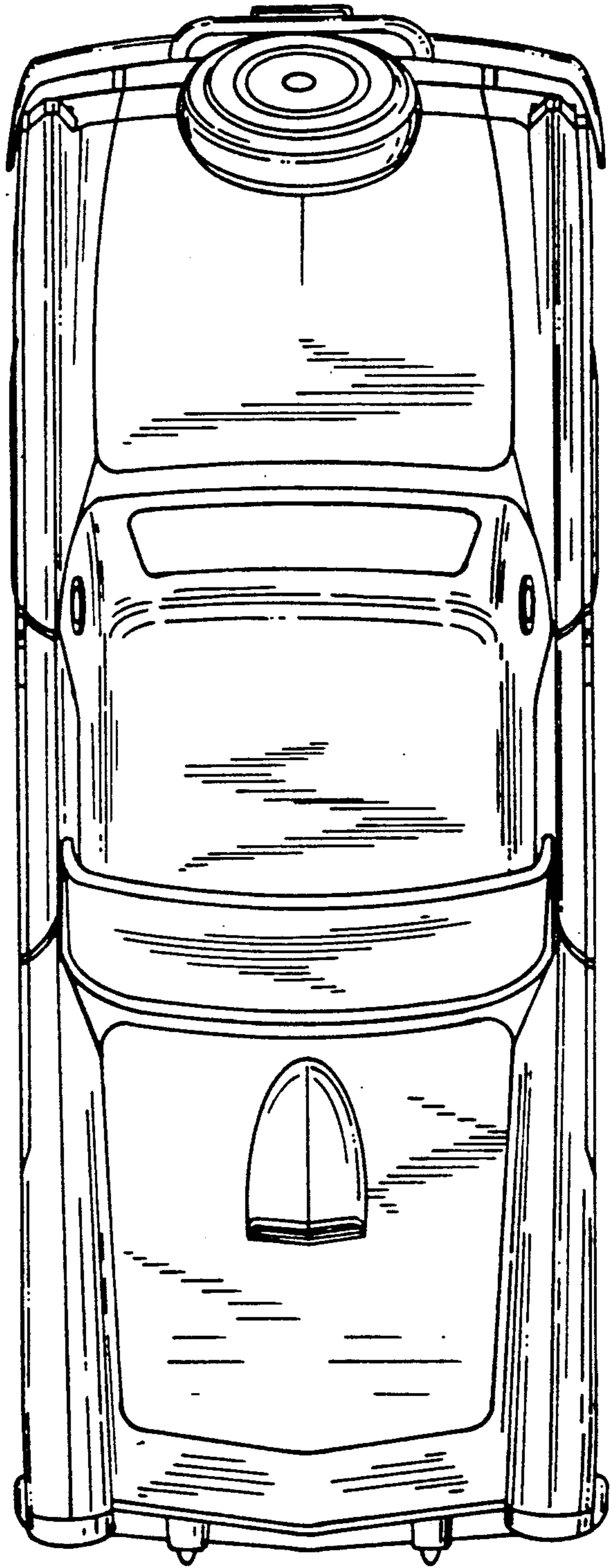


FIG. 2.

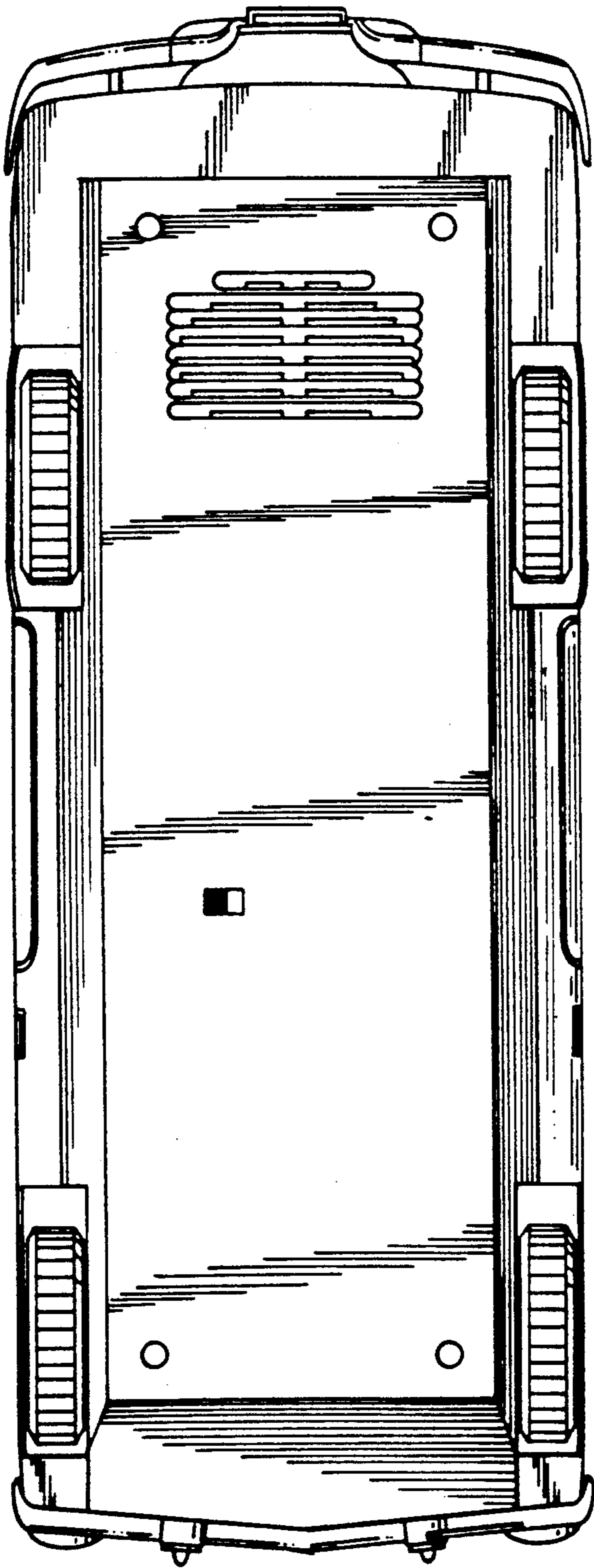


FIG. 3.

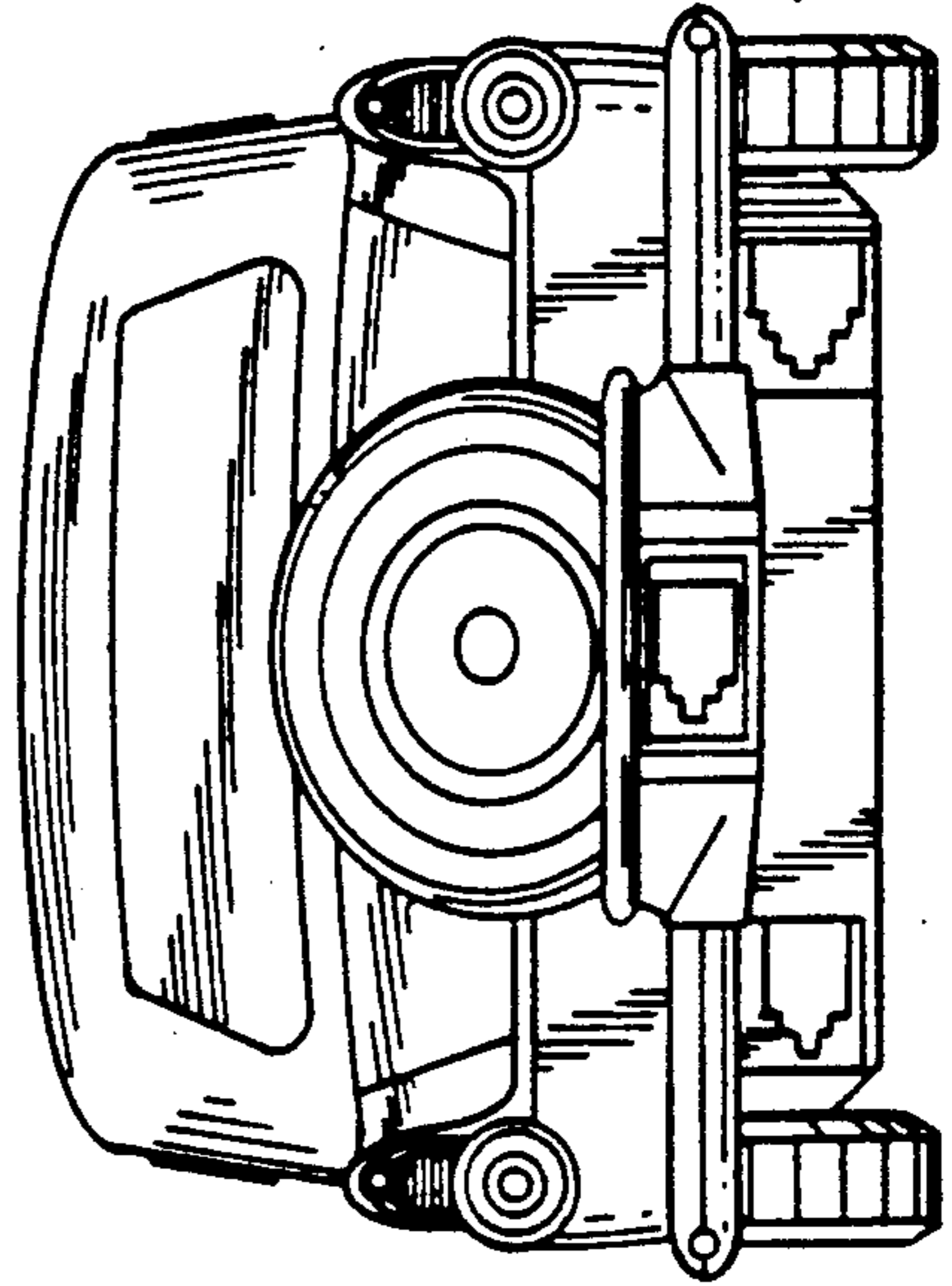


FIG. 5.

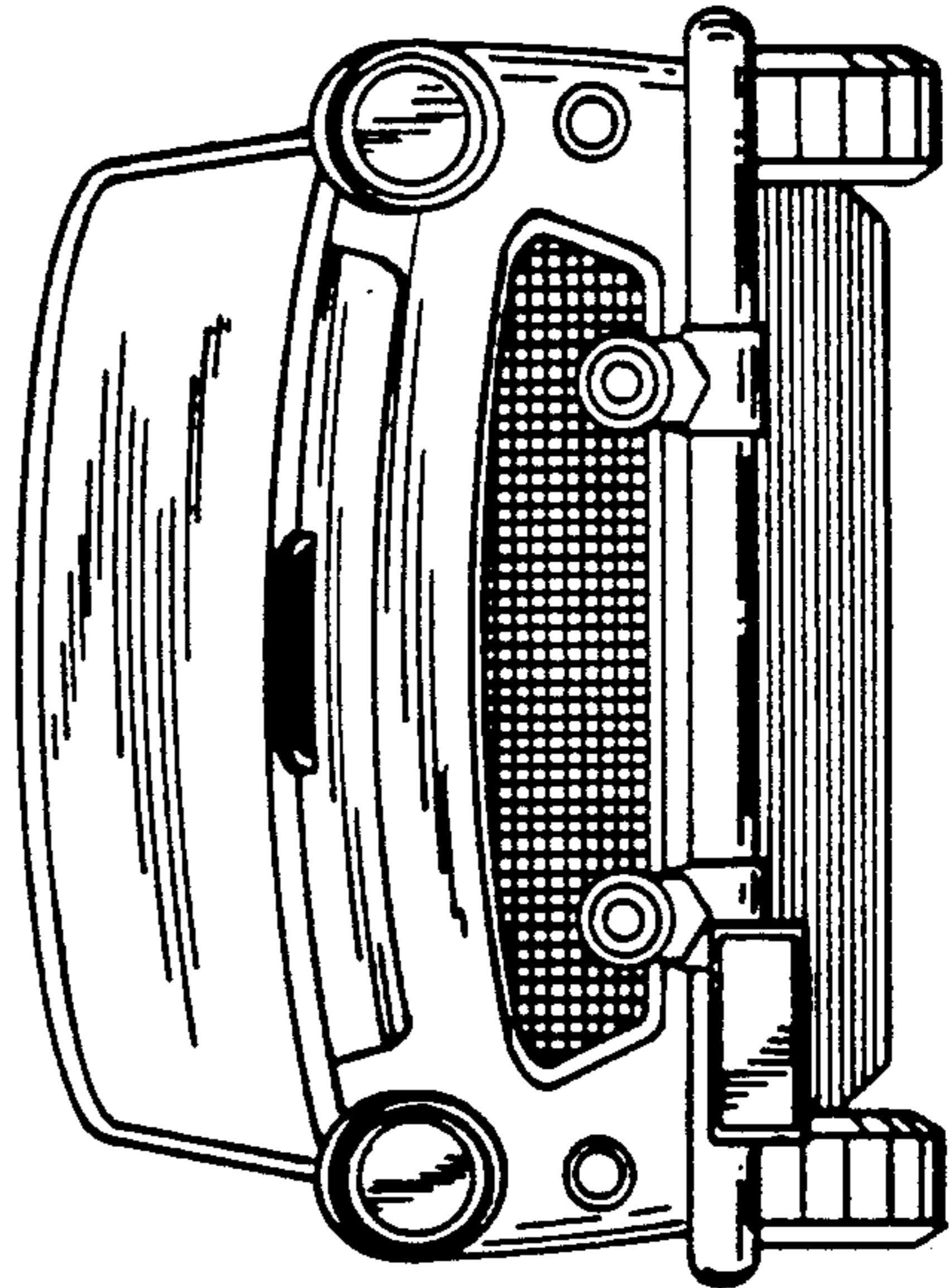


FIG. 4.

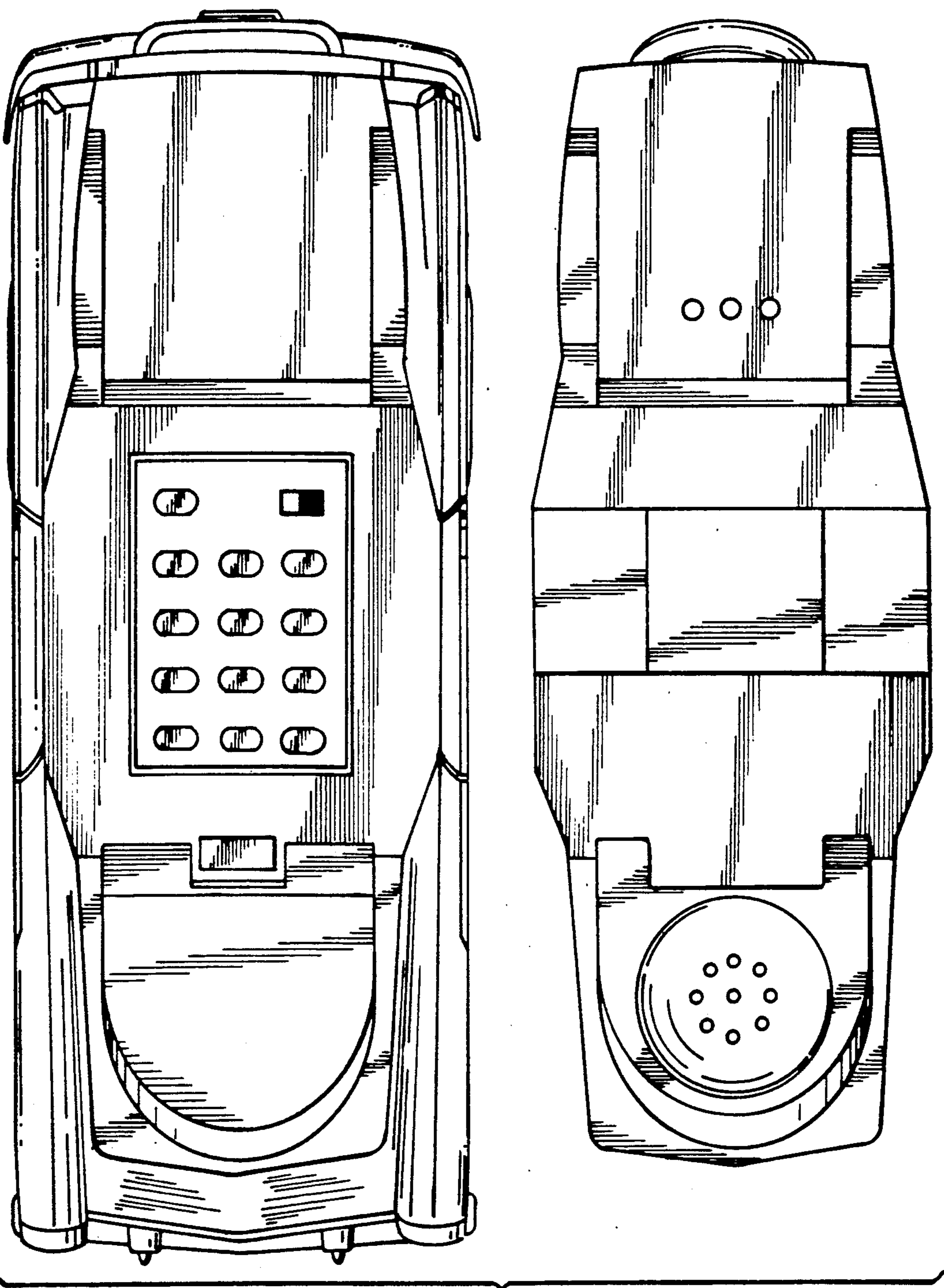


FIG. 6.