



US00D324214S

# United States Patent [19]

[11] Patent Number: **Des. 324,214**

Jo

[45] Date of Patent: **\*\* Feb. 25, 1992**

[54] **COMBINED TELEVISION RECEIVER AND VIDEO CASSETTE RECORDER**

D. 310,522 9/1990 Yang ..... D14/129

[75] Inventor: **Jae S. Jo**, Seoul, Rep. of Korea

### OTHER PUBLICATIONS

Video Review, Jul. 1988, p. 59, bottom right—JVC Model AV $\geq$ 2058S.

[73] Assignee: **Gold Star Co., Ltd.**, Seoul, Rep. of Korea

Video Review, Mar. 1988, p. 53, bottom right—JVC Model AV-2657S.

[\*\*] Term: **14 Years**

*Primary Examiner*—Theodore M. Shooman  
*Attorney, Agent, or Firm*—John P. White

[21] Appl. No.: **543,183**

### [57] CLAIM

[22] Filed: **Jun. 25, 1990**

The ornamental design for a combined television receiver and video cassette recorder, as shown.

### [30] Foreign Application Priority Data

### DESCRIPTION

Jan. 15, 1990 [KR] Rep. of Korea ..... 494/1990[U]

[52] U.S. Cl. .... **D14/129**

[58] Field of Search ..... D14/124-135, D14/113; 358/236-239, 254-255; 312/7.2

FIG. 1 is a top, front, and right side perspective view of a combined television receiver and video cassette recorder showing my new design;

FIG. 2 is a top plan view thereof;

FIG. 3 is a front elevational view thereof;

FIG. 4 is a bottom plan view thereof;

FIG. 5 is a rear elevational view thereof;

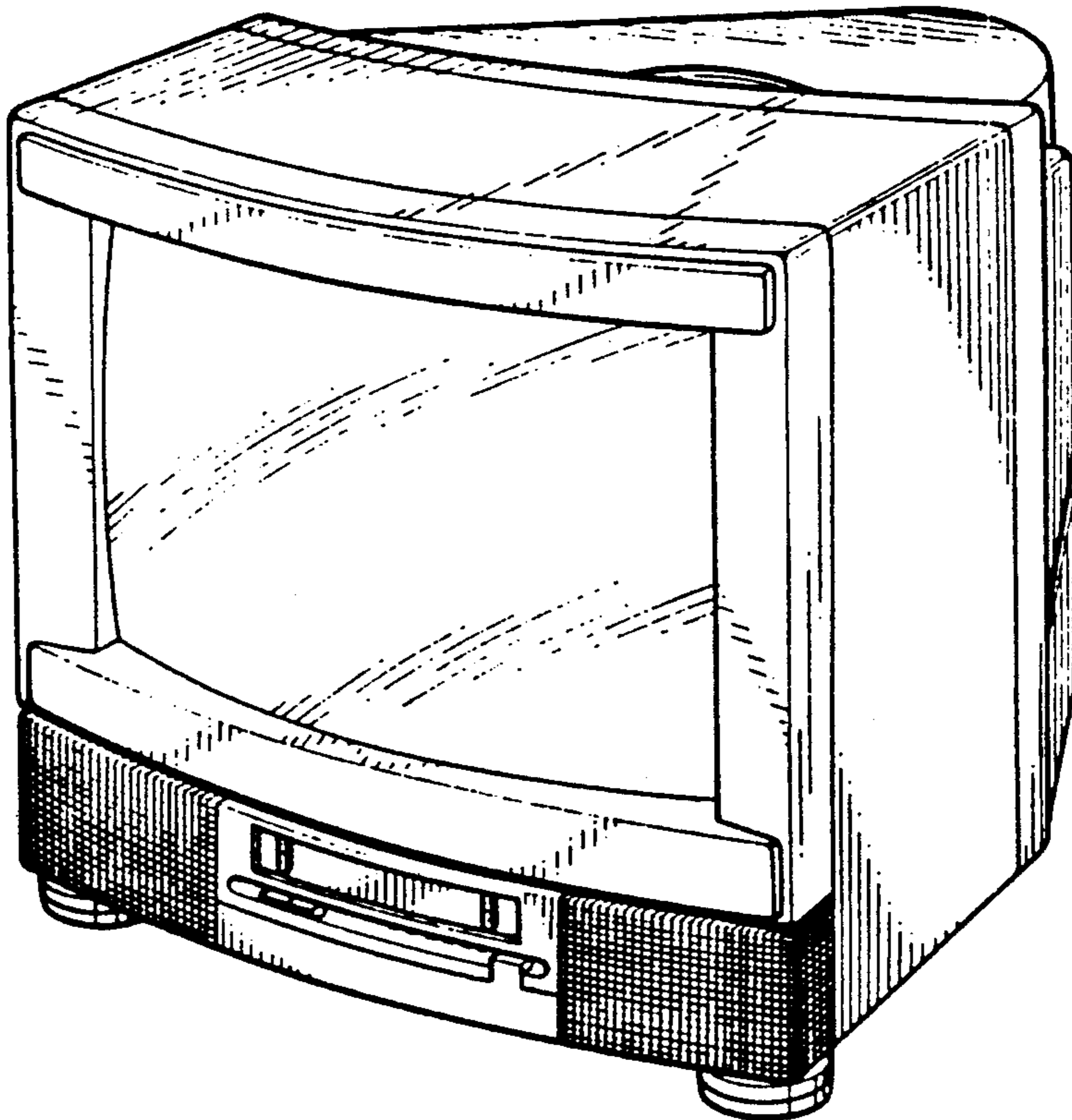
FIG. 6 is a right side elevational view thereof; and

FIG. 7 is a left side elevational view thereof.

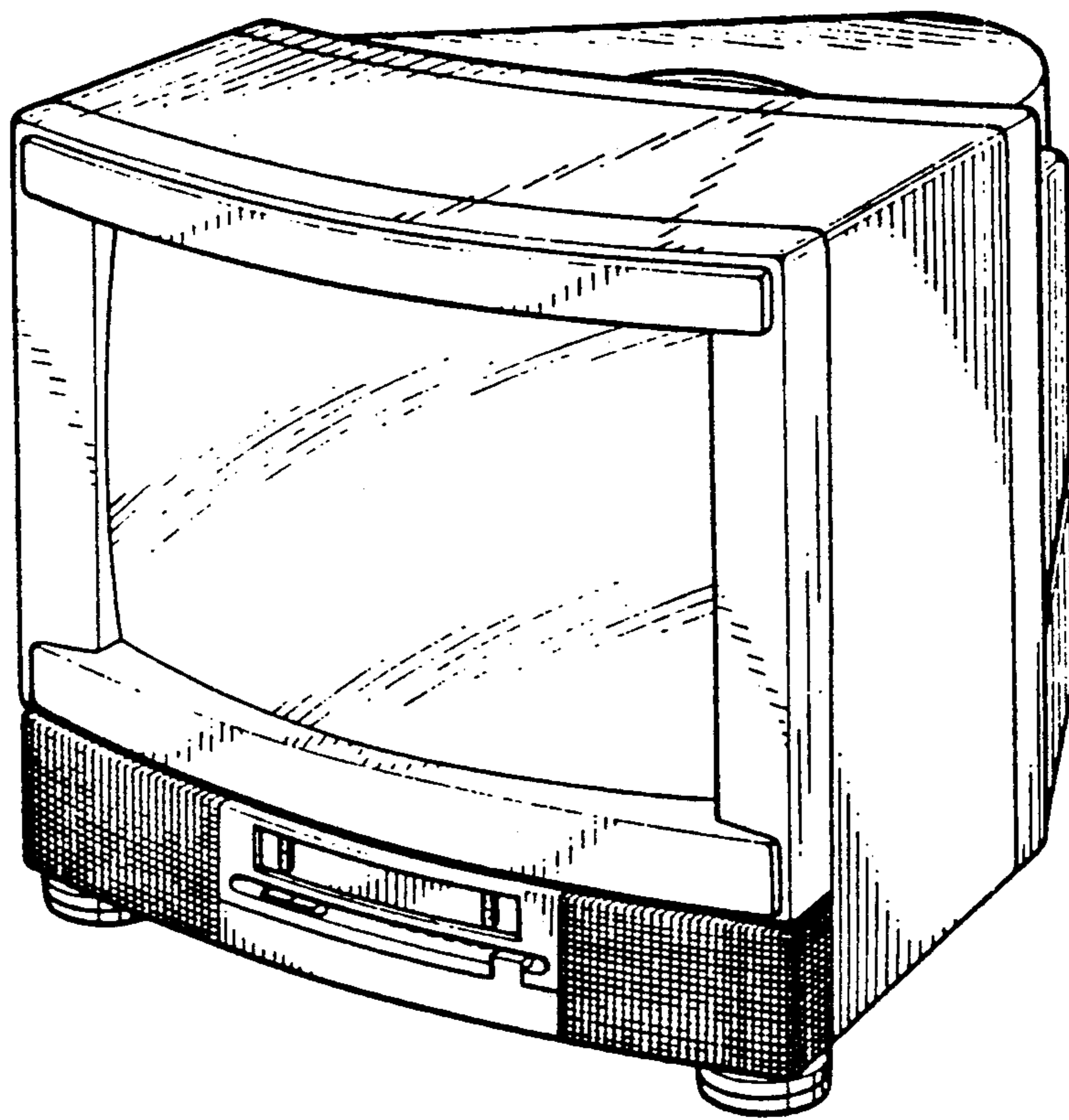
### [56] References Cited

#### U.S. PATENT DOCUMENTS

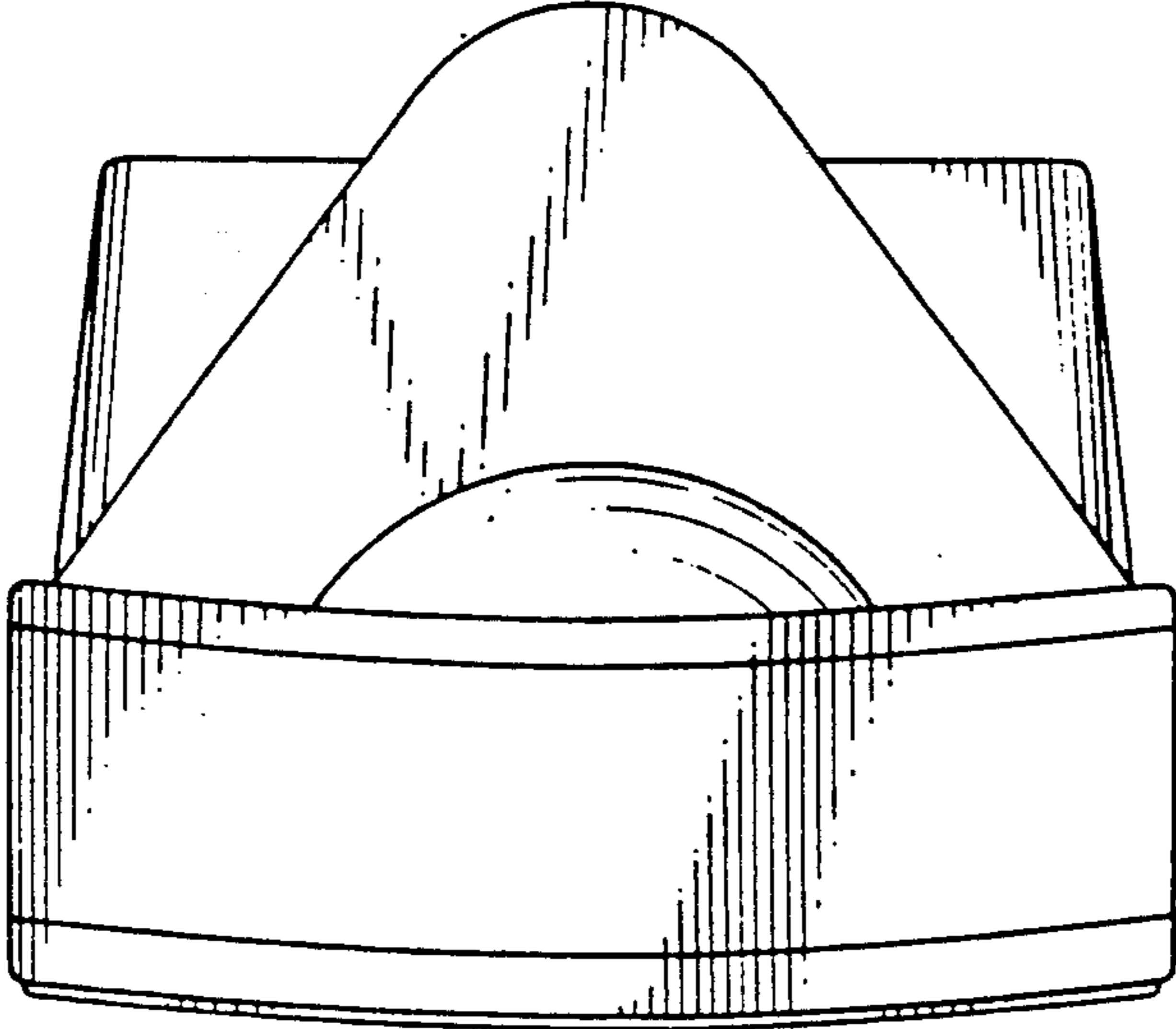
- D. 290,359 6/1987 Inoue et al. .... D14/126
- D. 306,289 2/1990 Lee ..... D14/126
- D. 309,133 7/1990 Jo ..... D14/126
- D. 310,363 9/1990 Shim ..... D14/129



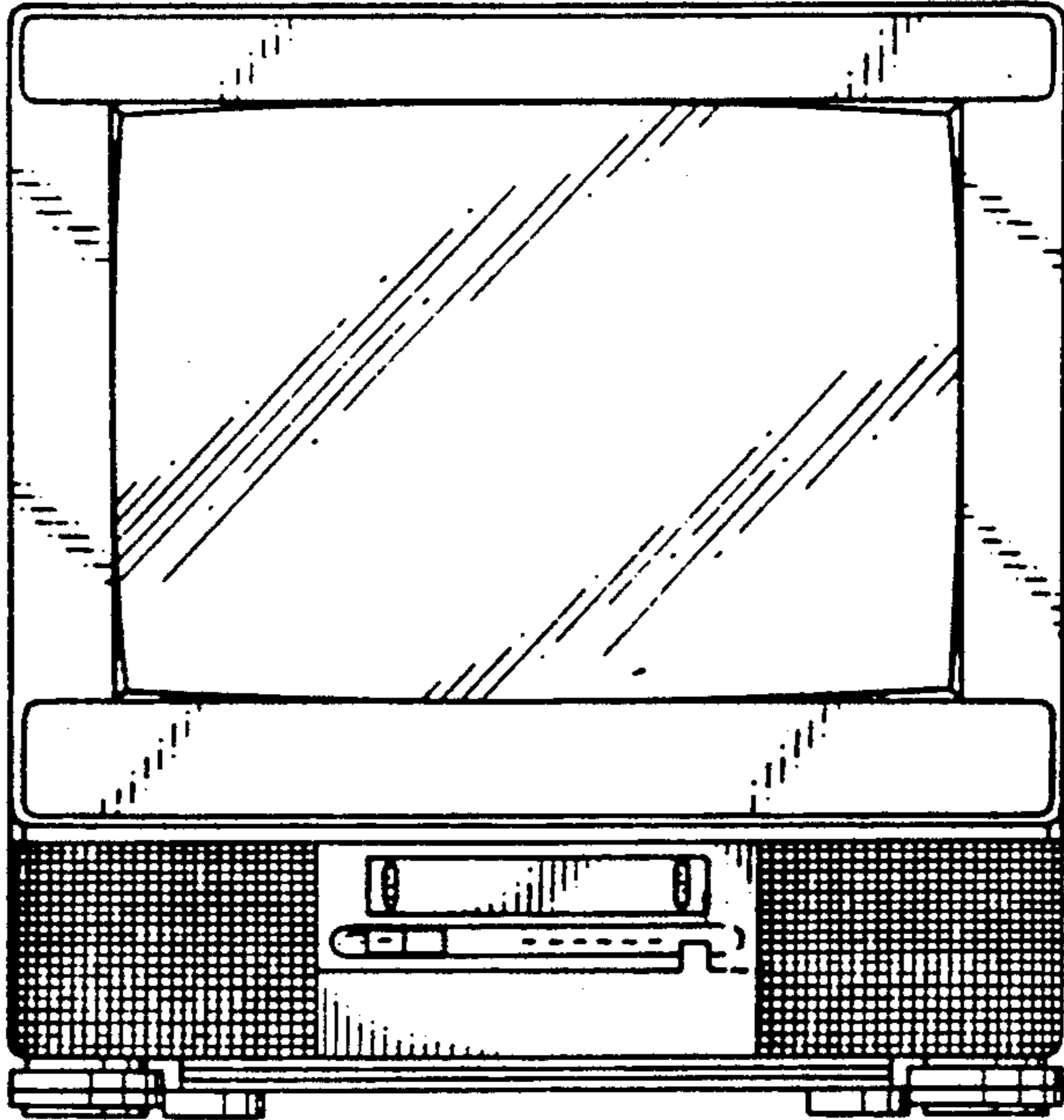
F I G . 1



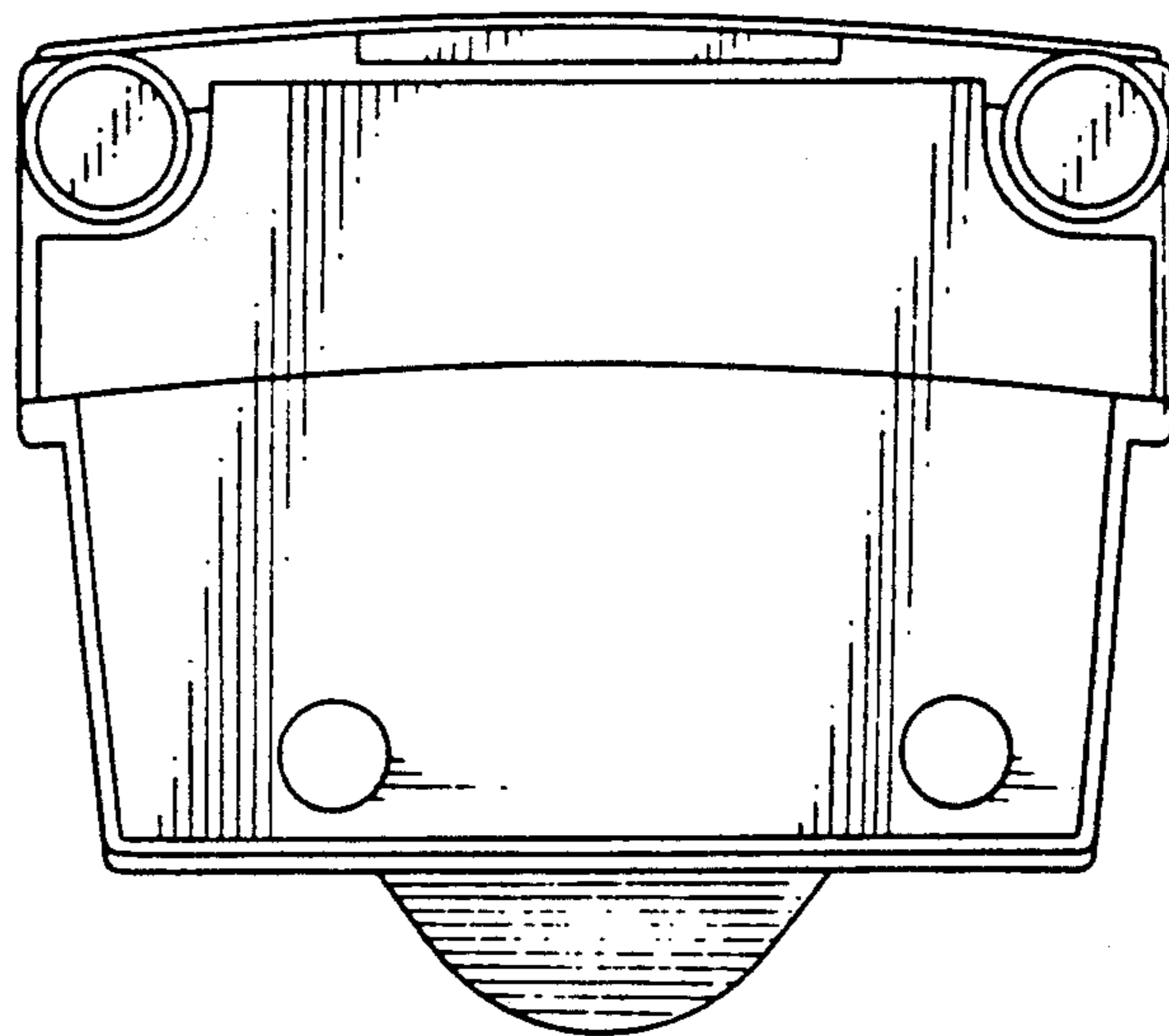
F I G . 2



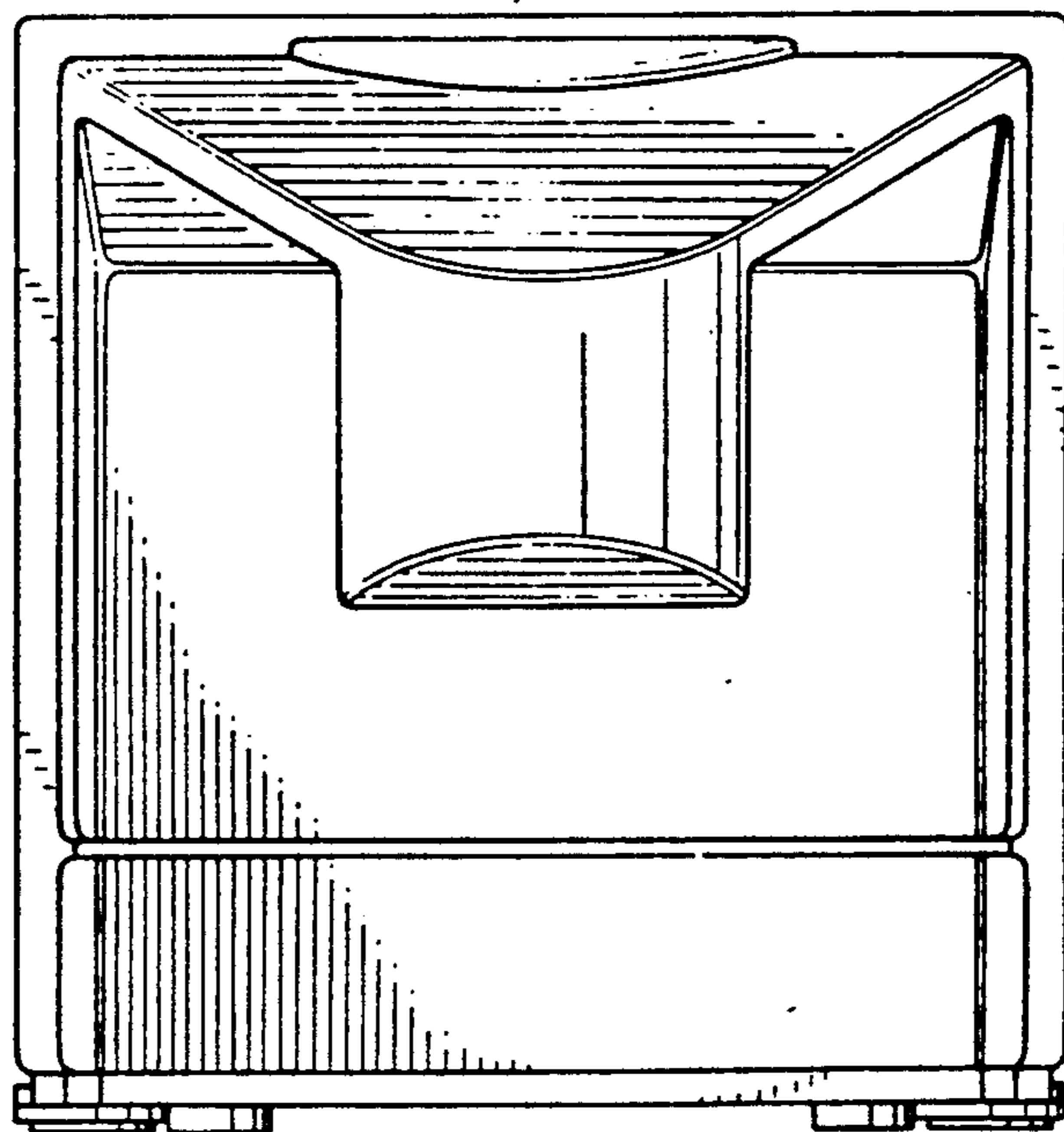
F I G . 3



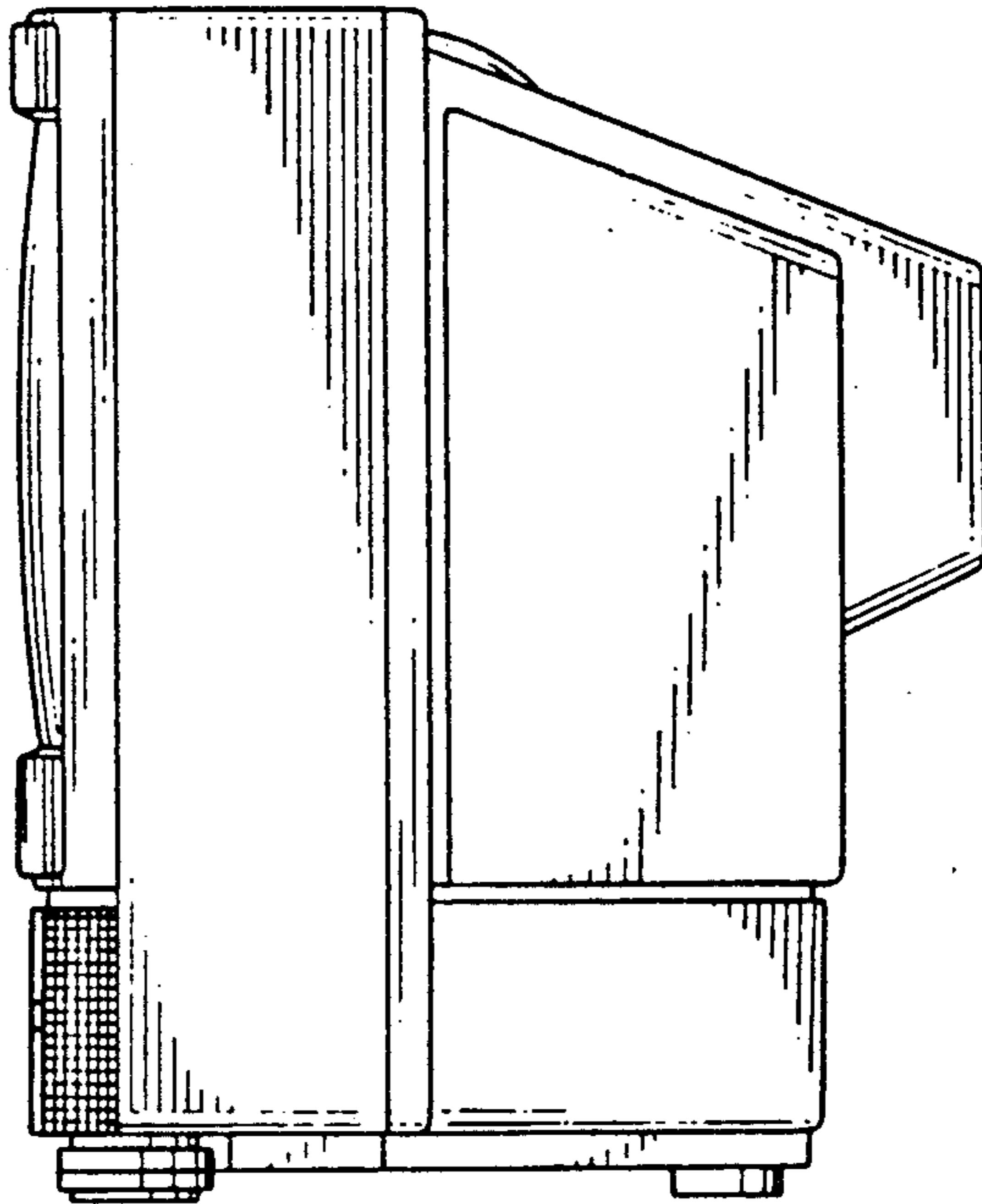
F I G . 4



F I G . 5



F I G . 6



F I G . 7

