



US00D324211S

United States Patent [19]

[11] Patent Number: **Des. 324,211**

Lam

[45] Date of Patent: **** Feb. 25, 1992**

[54] **COMPUTER PANEL OR SIMILAR ARTICLE**

D. 298,252 10/1988 Sapper D14/115

[75] Inventor: **Tai-Seng Lam, Taipei, Taiwan**

D. 304,333 10/1989 Kerezman et al. D14/115 X

D. 307,422 4/1990 Ronzani D14/115

[73] Assignee: **Flytech Technology Co., Ltd., Taipei, Taiwan**

Primary Examiner—Wallace R. Burke

Assistant Examiner—Freda S. Nunn

Attorney, Agent, or Firm—Bacon & Thomas

[**] Term: **14 Years**

[21] Appl. No.: **453,475**

[57] **CLAIM**

The ornamental design for computer panel or similar articles, as shown and described.

[22] Filed: **Dec. 20, 1989**

[52] U.S. Cl. **D14/115**

[58] Field of Search D14/100-117,
D14/124, 125, 239, 257; D18/1, 7, 11, 12;
358/249, 254; 364/706-710; 340/700, 706, 711,
712; 360/97.01-97.12; 361/380-385, 390-395

DESCRIPTION

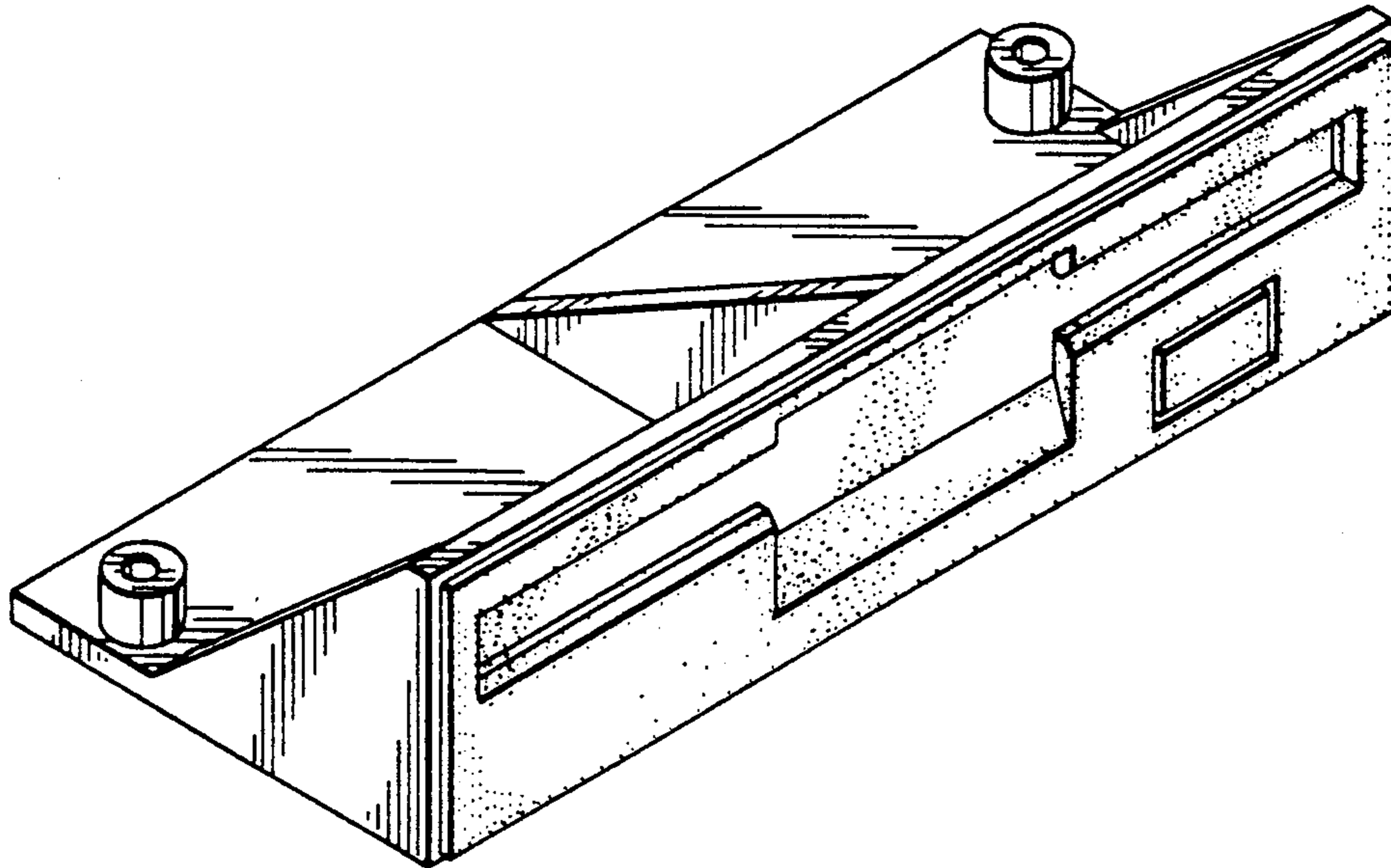
FIG. 1 is a slightly enlarged perspective view of a computer panel or similar article showing my new design; FIG. 2 is a front elevational view thereof; FIG. 3 is a rear elevational view thereof; FIG. 4 is a left side elevational view thereof; FIG. 5 is a right side elevational view thereof; FIG. 6 is a top plan view thereof; and FIG. 7 is a bottom plan view thereof.

[56] **References Cited**

U.S. PATENT DOCUMENTS

D. 253,343 11/1979 Schultz et al. D14/114

D. 280,326 8/1985 Jordan D14/115



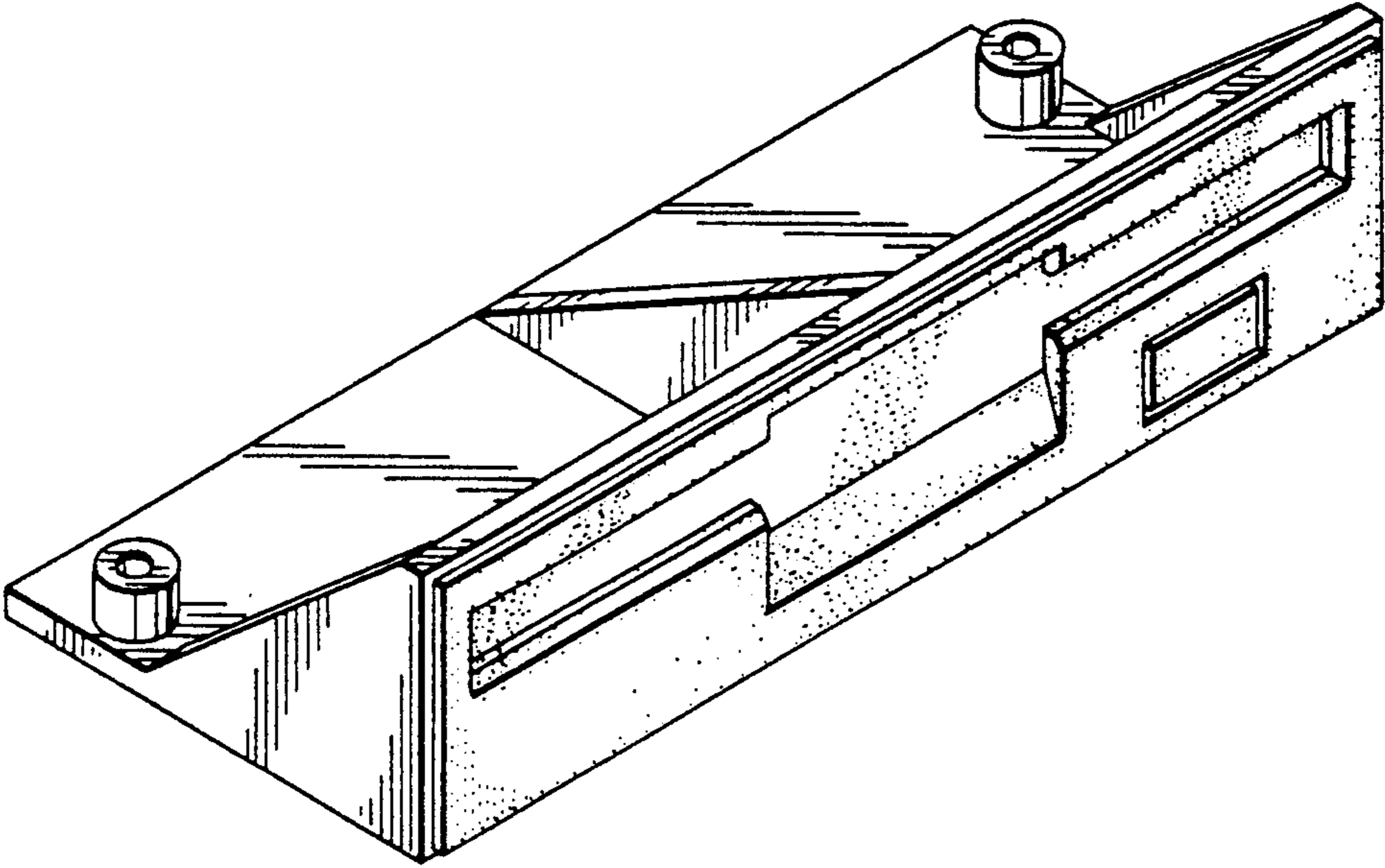


FIG. 1



FIG. 2

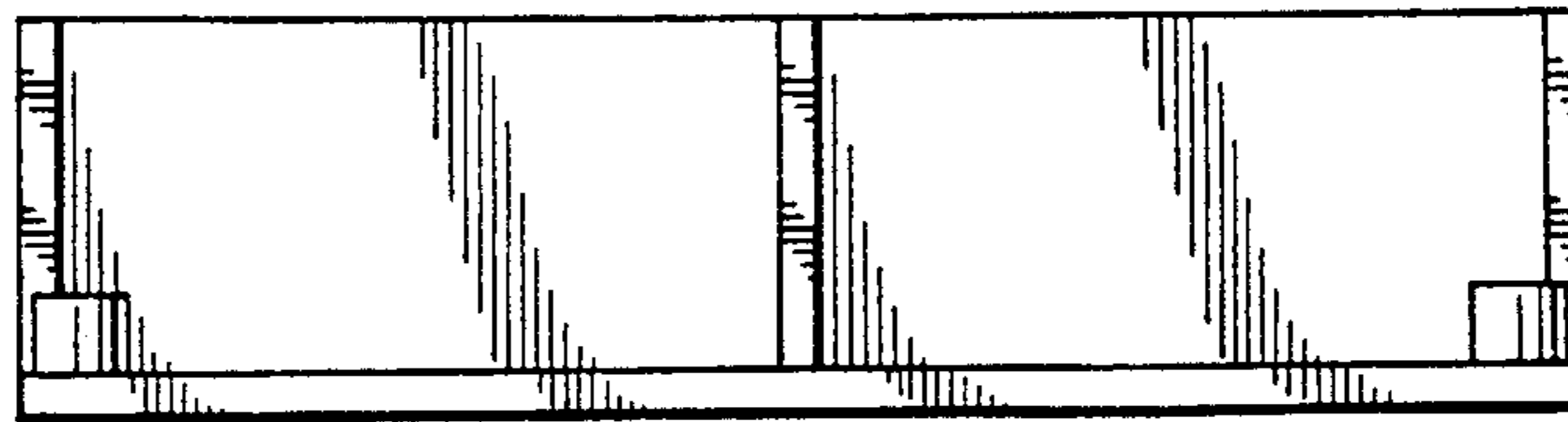


FIG. 3

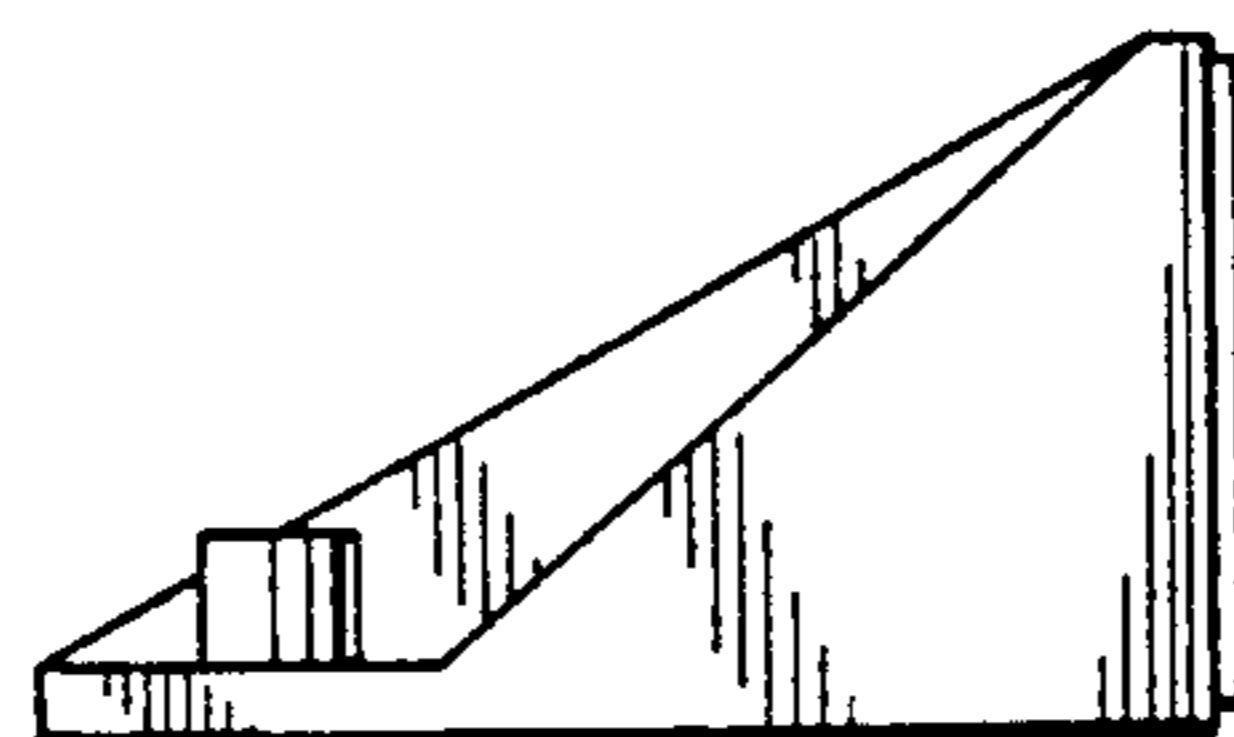


FIG. 4

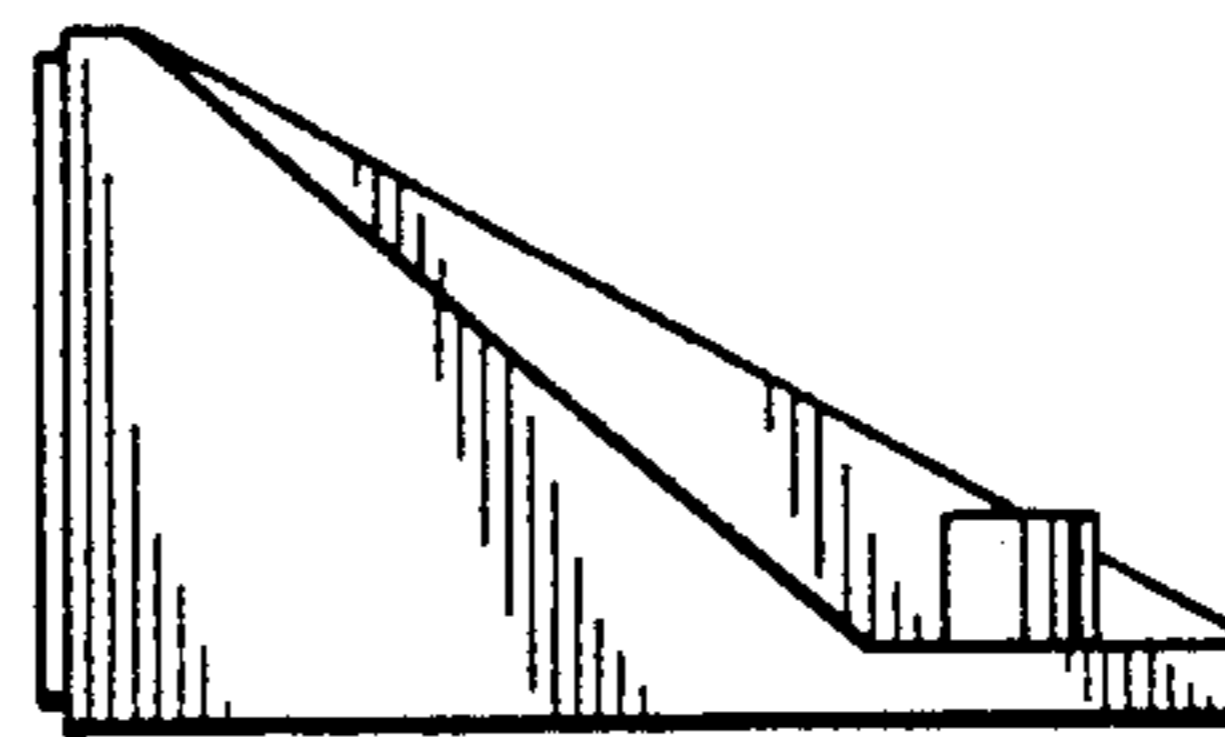


FIG. 5

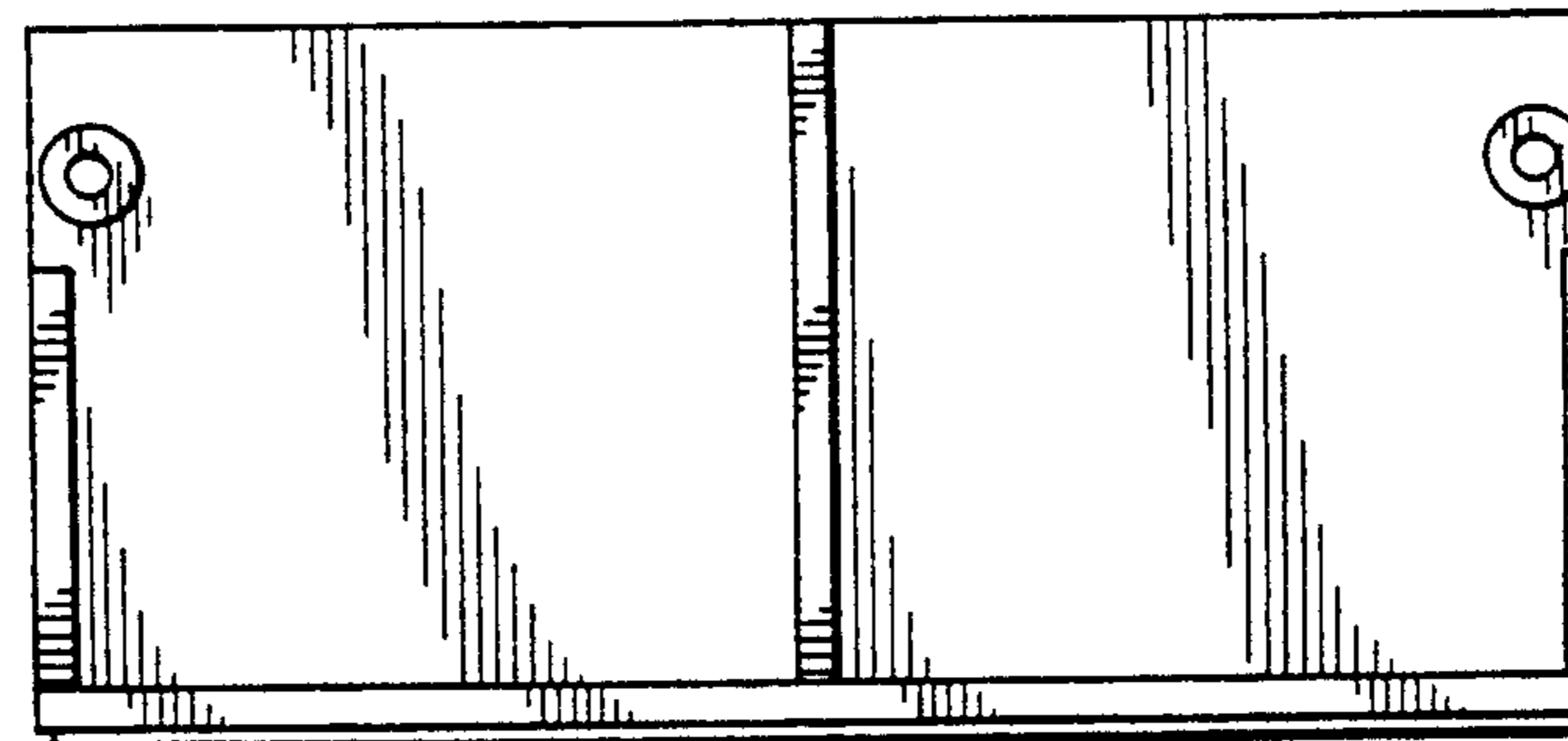


FIG. 6

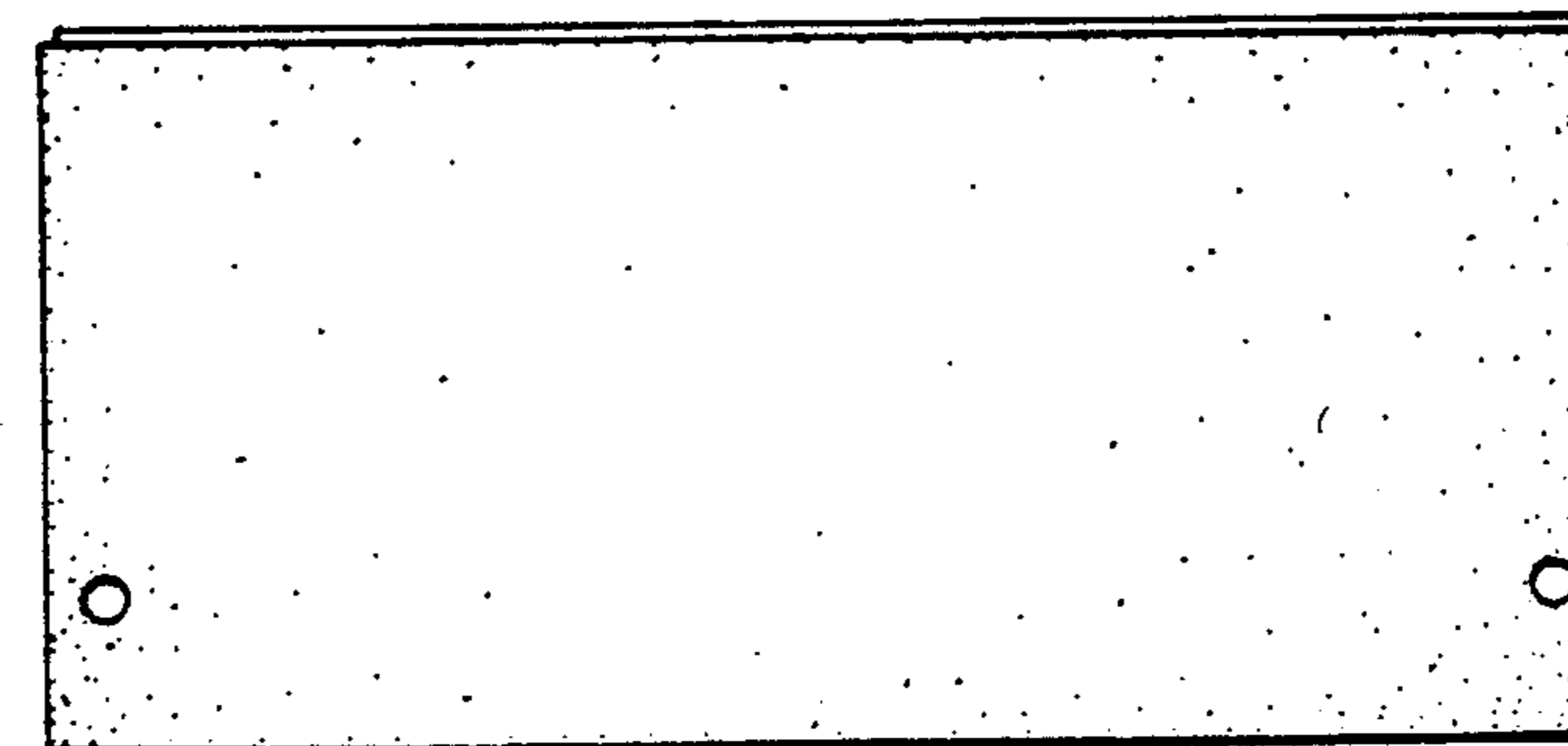


FIG. 7