



US00D324209S

United States Patent [19]

[11] Patent Number: **Des. 324,209**

Tanabe

[45] Date of Patent: **** Feb. 25, 1992**

[54] **READER/WRITER FOR DATA RECORDING CARDS**

3,818,189 6/1974 Stone et al. 235/454
4,048,476 9/1977 Lawter et al. 235/480 X

[75] Inventor: **Zenya Tanabe**, Tokyo, Japan

FOREIGN PATENT DOCUMENTS

0278989 12/1986 Japan 235/379

[73] Assignee: **Kabushiki Kaisha Toshiba**, Kawasaki, Japan

OTHER PUBLICATIONS

NEC Catalog of IC Card Reader/Writer N5256-40.

[**] Term: **14 Years**

Primary Examiner—Wallace R. Burke
Assistant Examiner—Freda S. Nunn
Attorney, Agent, or Firm—Oblon, Spivak, McClelland, Maier & Neustadt

[21] Appl. No.: **187,899**

[22] Filed: **Apr. 29, 1988**

[30] **Foreign Application Priority Data**

Nov. 5, 1987 [JP] Japan 62-44919

[52] U.S. Cl. **D14/107**

[58] Field of Search D14/100, 105, 107, 114, D14/117; D13/40, 41; 235/379-382, 454, 455, 462-465, 470, 471, 479, 480, 487, 493, 441, 443; 361/331, 380, 390-395, 399; 369/106, 109, 275

[57] **CLAIM**

The ornamental design for a reader/writer for data recording cards, as shown and described.

[56] **References Cited**

U.S. PATENT DOCUMENTS

D. 210,218 2/1968 Williams D14/107
D. 277,964 3/1985 Xanthopoulos D14/109
D. 286,049 10/1986 Nishida D14/107
3,752,391 8/1973 Leonard et al. 234/51

DESCRIPTION

FIG. 1 is a top, front and right side perspective view of a reader/writer for data recording cards showing our new design;
FIG. 2 is a front elevational view thereof;
FIG. 3 is a right side elevational view thereof, the left side being a mirror image of the right;
FIG. 4 is a rear elevational view thereof;
FIG. 5 is a top plan view thereof; and
FIG. 6 is a bottom plan view thereof.

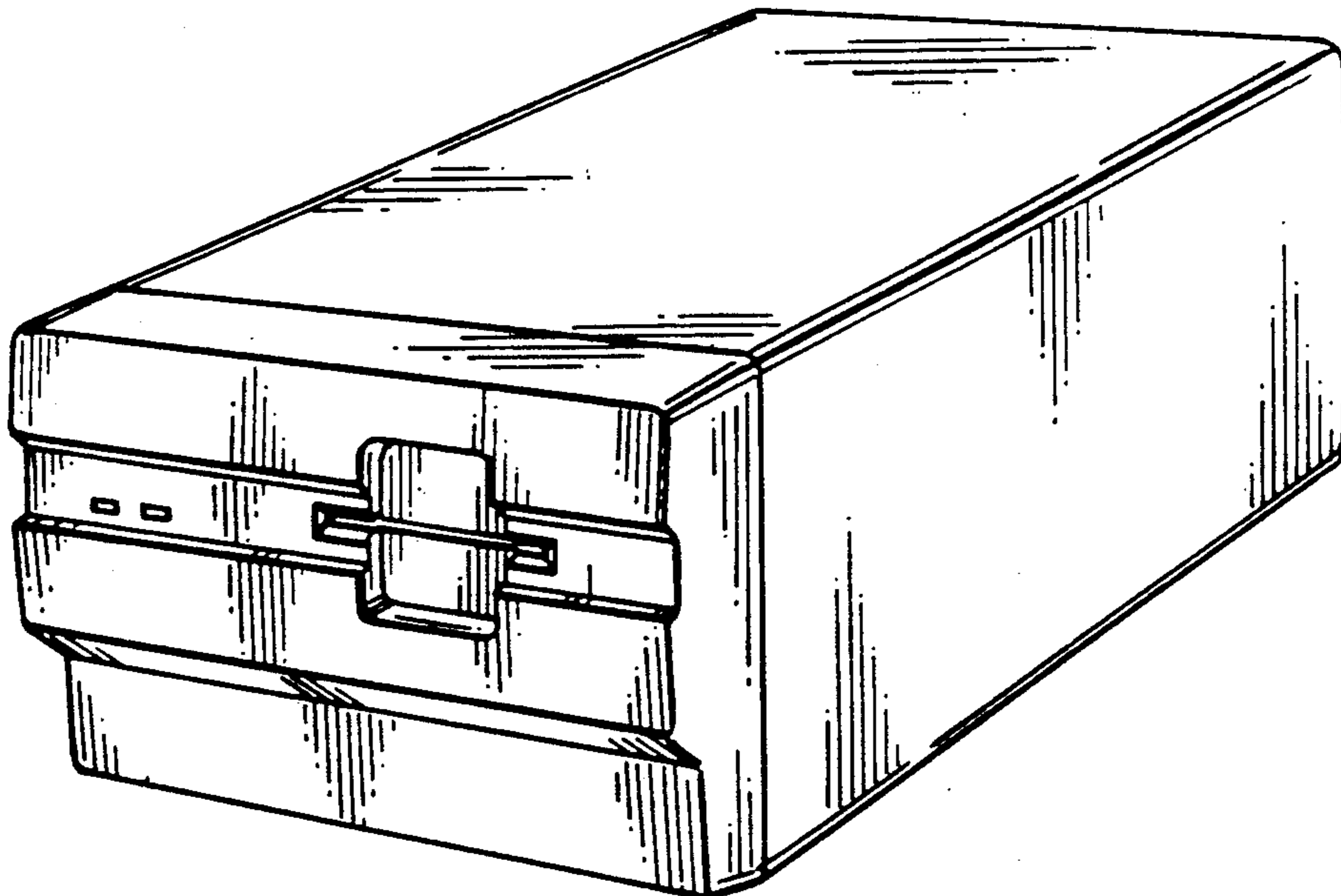


FIG. 1

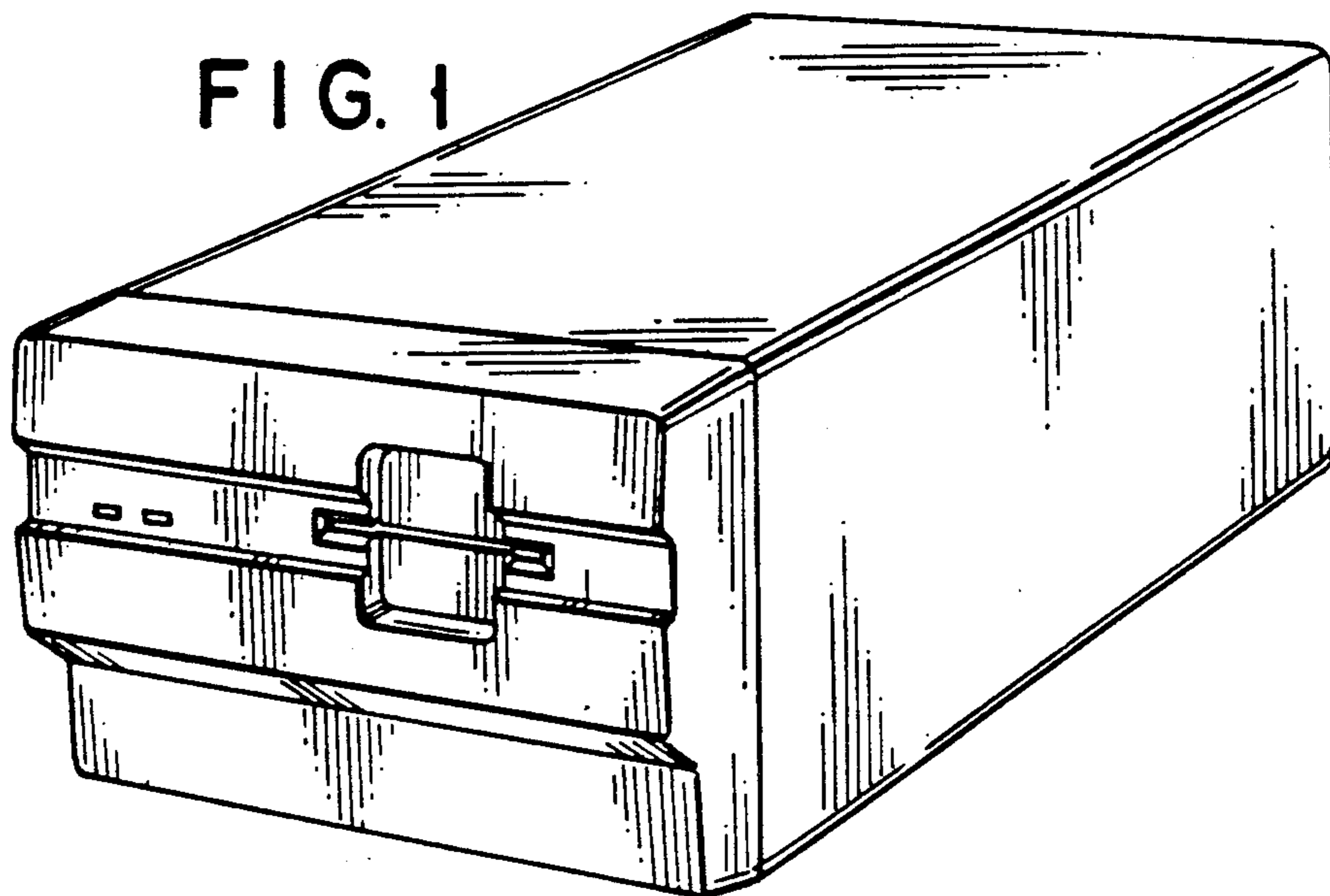


FIG. 2

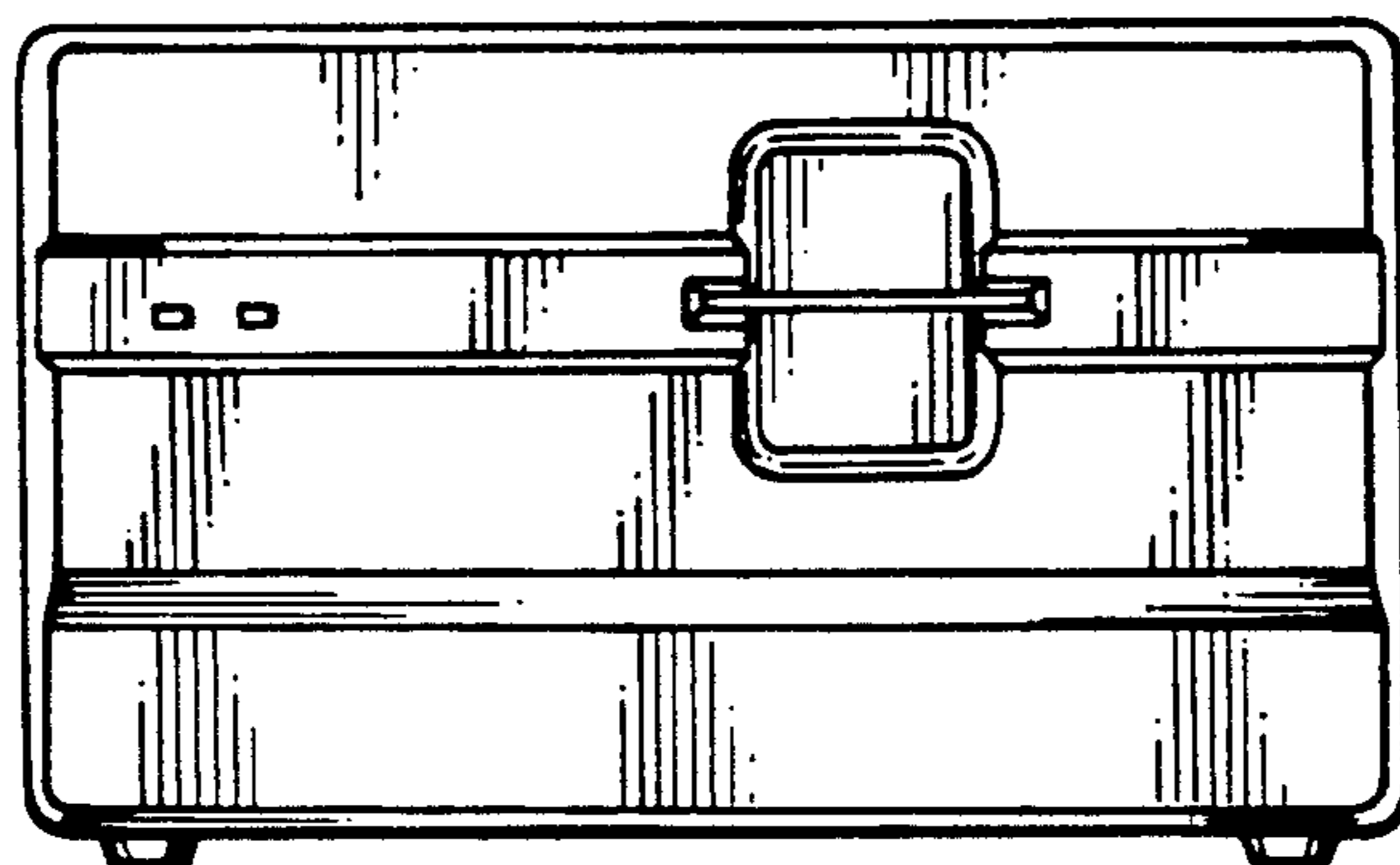


FIG. 3

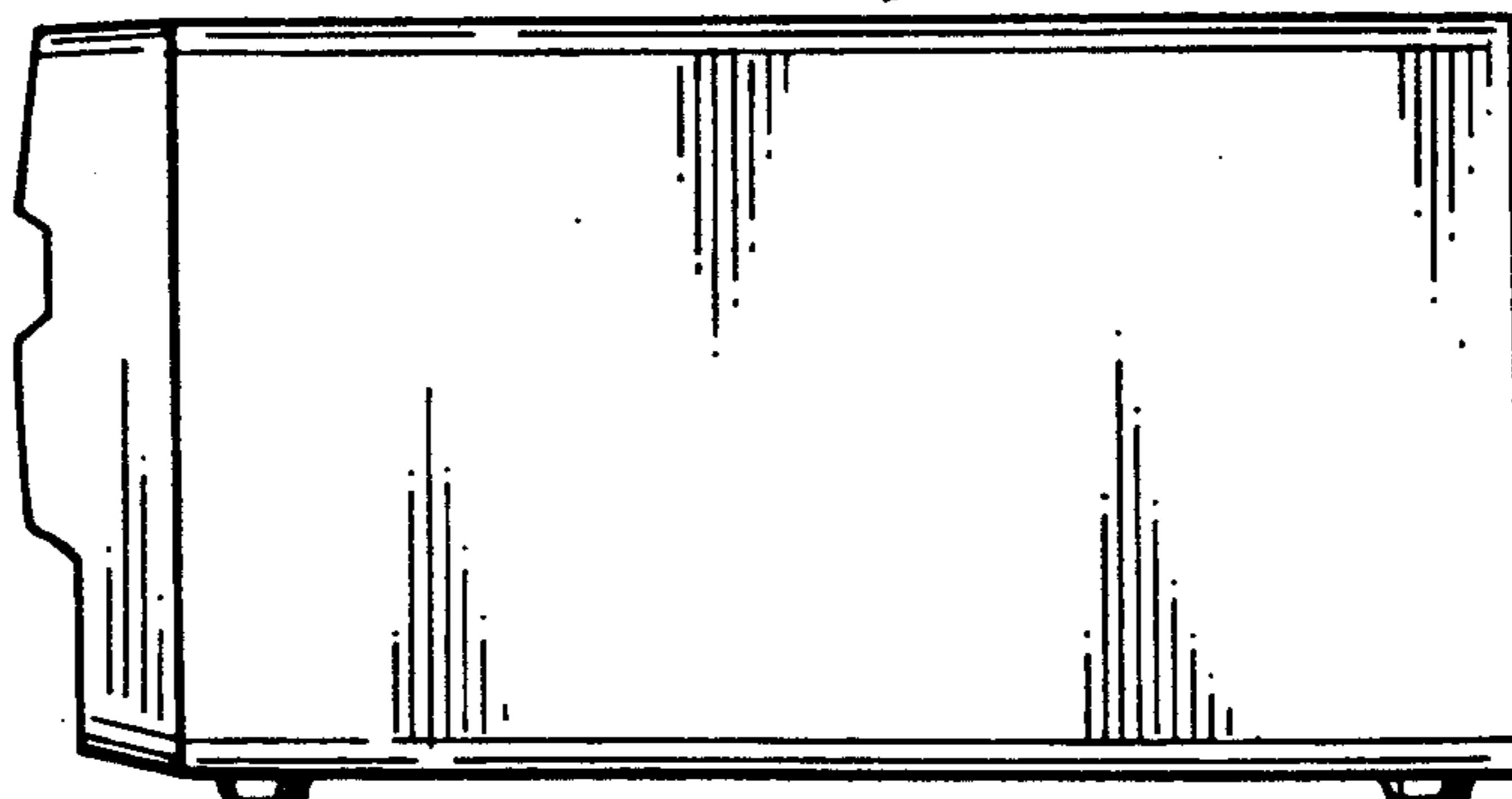


FIG. 4



FIG. 5

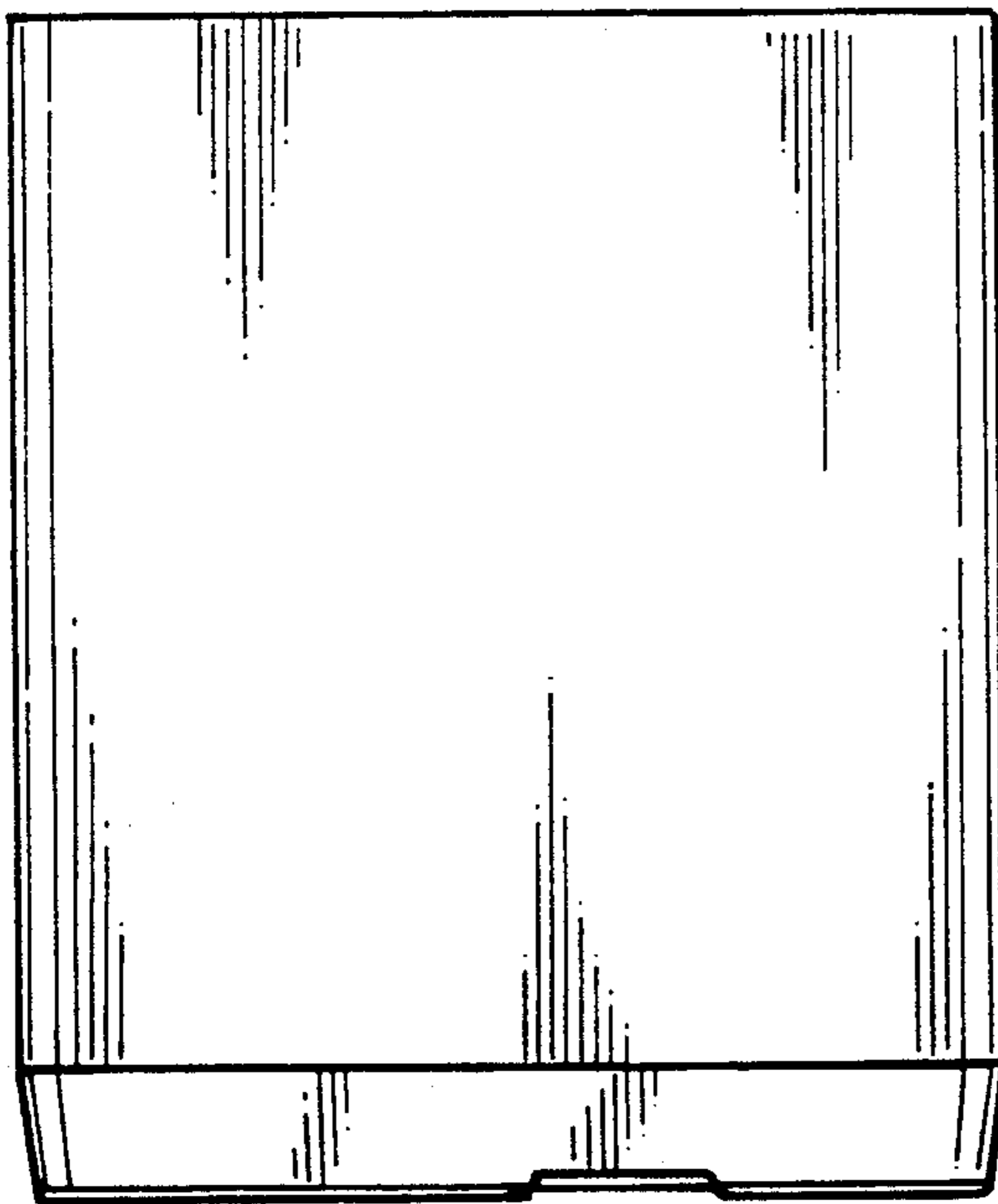


FIG. 6

