



US00D324206S

United States Patent [19]

[11] Patent Number: **Des. 324,206**

Sueyoshi et al.

[45] Date of Patent: **** Feb. 25, 1992**

[54] ELECTRICAL CONNECTOR HOUSING

[75] Inventors: **Tadahiro Sueyoshi; Masanori Tsuji; Yoshihiro Murakami; Takayuki Yamamoto; Masaru Fukuda**, all of Shizuoka; **Hidetaka Okabe**, Toyota; **Yasuhiro Nagasaka**, Toyota; **Yasuo Hirayama**, Toyota, all of Japan

[73] Assignees: **Yazaki Corporation**, Tokyo; **Toyota Jidosha Kabushiki Kaisha**, Toyota, both of Japan

[**] Term: **14 Years**

[21] Appl. No.: **470,559**

[22] Filed: **Jan. 26, 1990**

[30] Foreign Application Priority Data

Jul. 31, 1989 [JP] Japan 1-28084
[52] U.S. Cl. **D13/147**
[58] Field of Search **D13/133, 146, 147; 439/248, 345, 350, 352, 353, 358, 544, 586, 587, 595, 596, 598, 600, 682, 752**

[56] References Cited

U.S. PATENT DOCUMENTS

D. 308,511 6/1990 Makita et al. D13/146
D. 308,513 6/1990 Endo et al. D13/147
4,708,662 11/1987 Klein 439/357

FOREIGN PATENT DOCUMENTS

0252601 1/1988 European Pat. Off. 439/587
2081526 2/1982 United Kingdom 439/752

Primary Examiner—Susan J. Lucas
Assistant Examiner—J. Sincavage

[57] CLAIM

The ornamental design for an electrical connector housing, as shown and described.

DESCRIPTION

FIG. 1 is a top plan view of an electrical connector housing showing our new design; FIG. 2 is a front elevational view thereof; FIG. 3 is a bottom plan view thereof; FIG. 4 is a left side elevational view thereof; FIG. 5 is a right side elevational view thereof; FIG. 6 is a rear elevational view thereof; FIG. 7 is a cross-sectional view thereof taken along line 7—7 of FIG. 2; FIG. 8 is a cross-sectional view thereof taken along line 8—8 of FIG. 2; FIG. 9 is a front and upper right perspective view thereof with the terminal retainer removed; and FIG. 10 is a cross-sectional view thereof taken along line 7—7 of FIG. 2 showing the housing in use. The broken line showing of the conductors, terminals and the corresponding housing is included for the purpose of illustrating environmental elements only and forms no part of the claimed design.

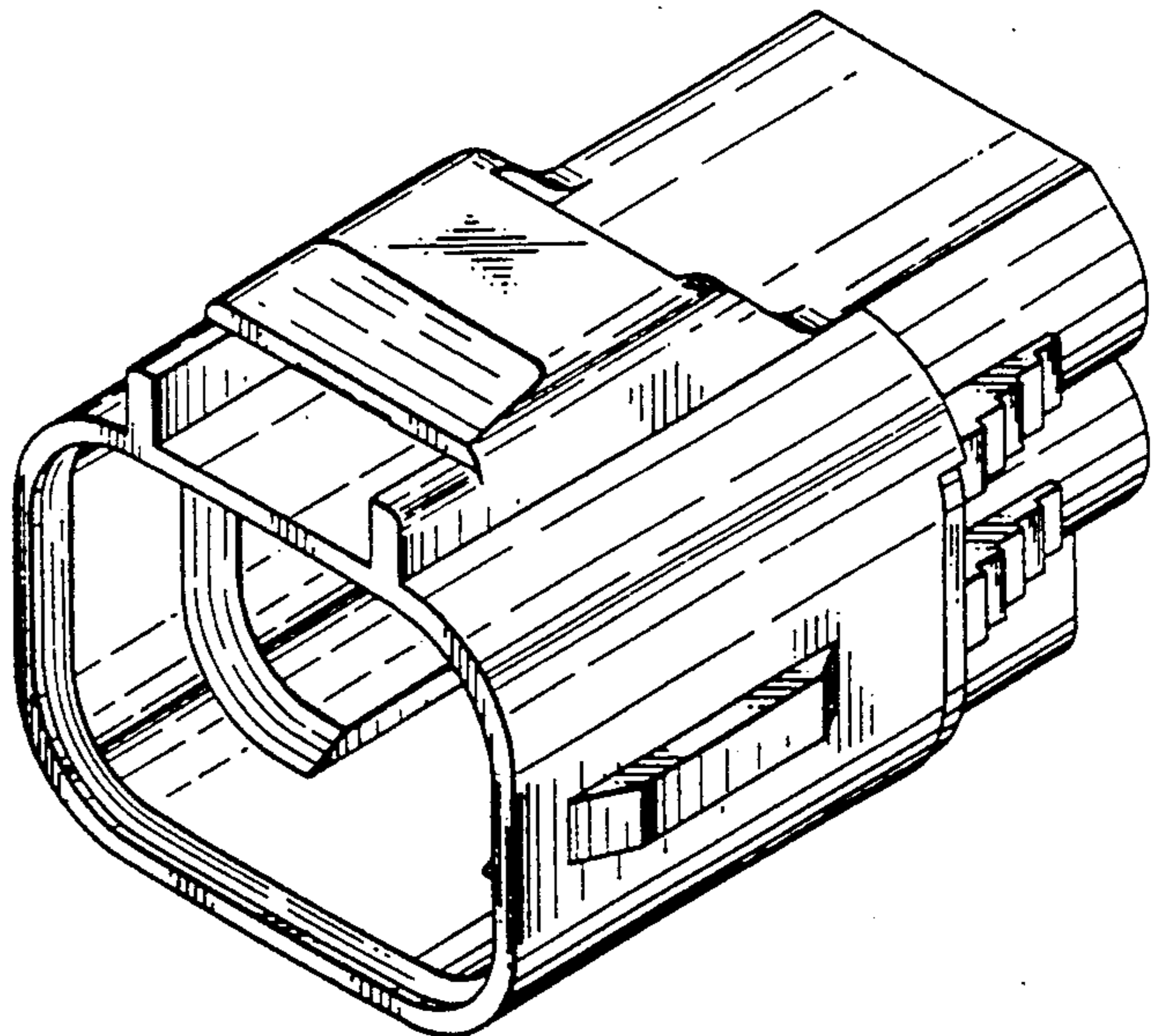
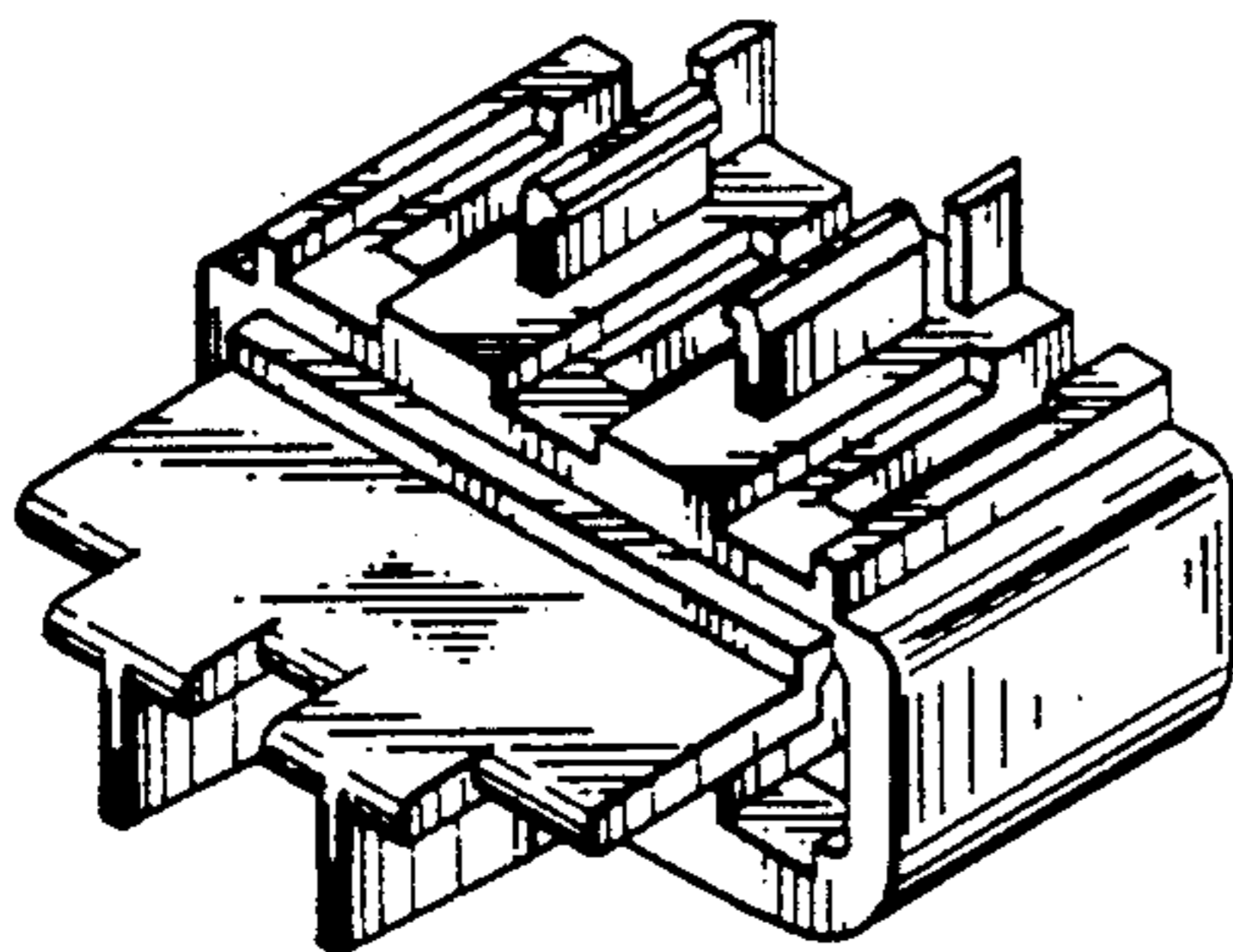


FIG. 1

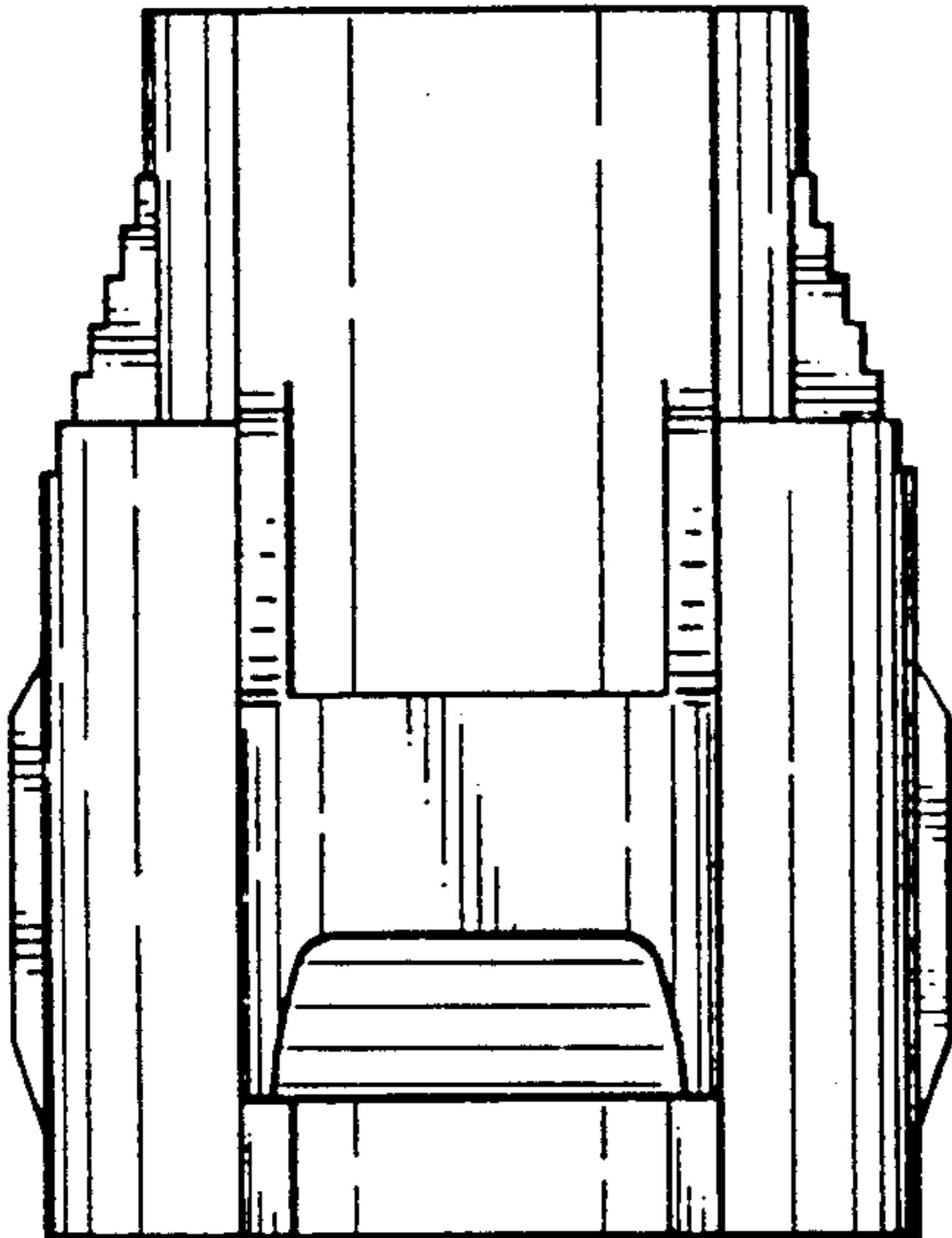


FIG. 2

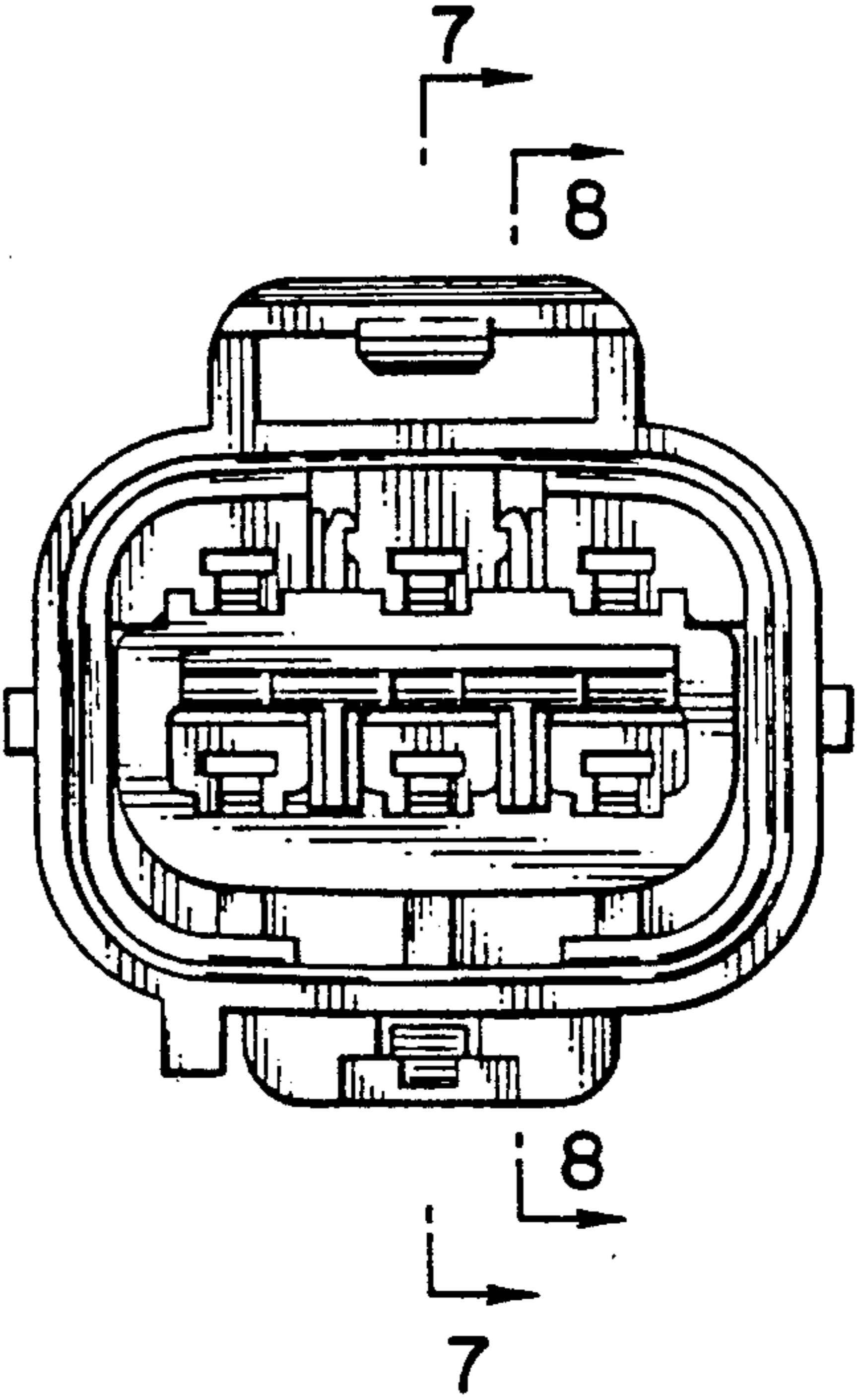


FIG. 3

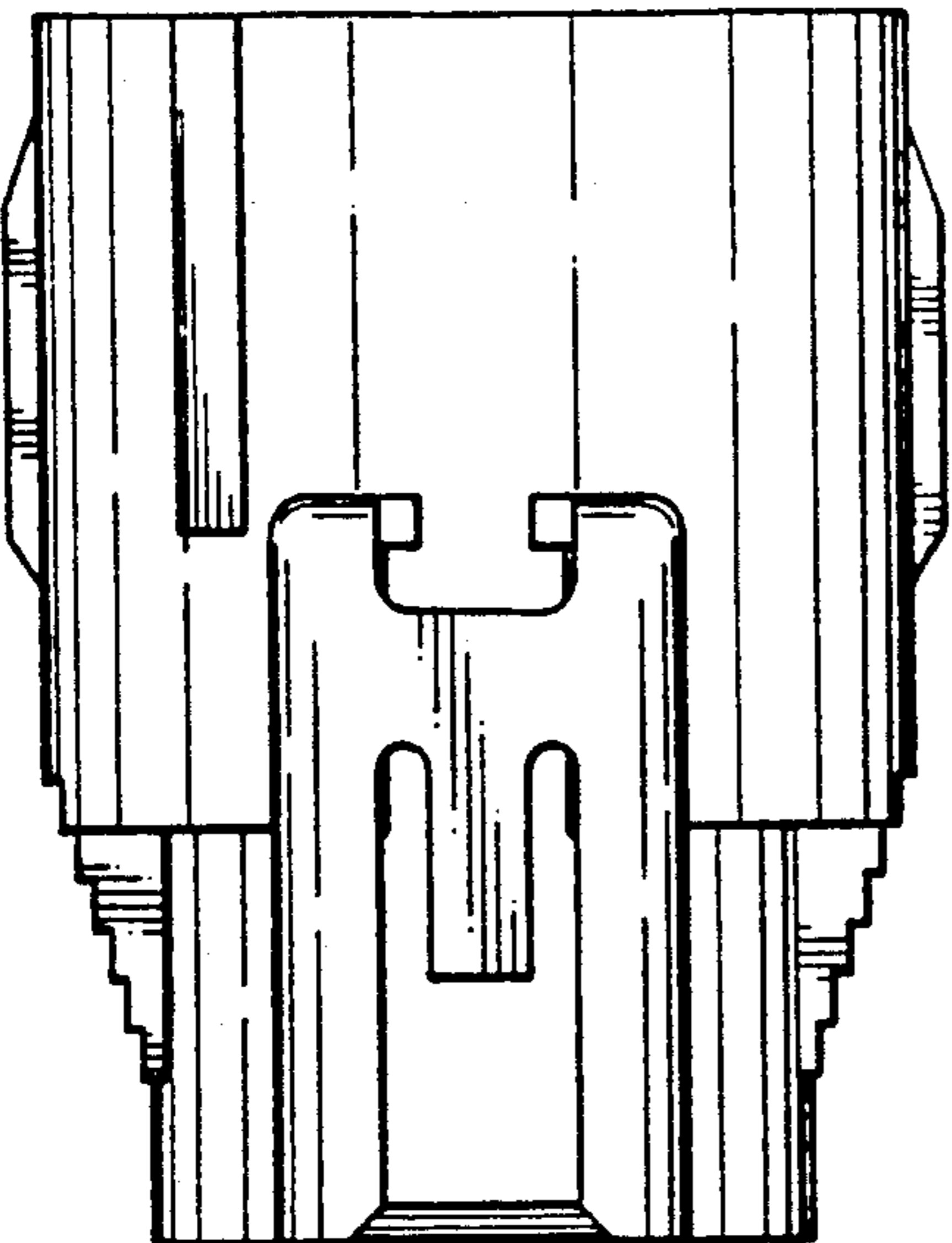


FIG. 4

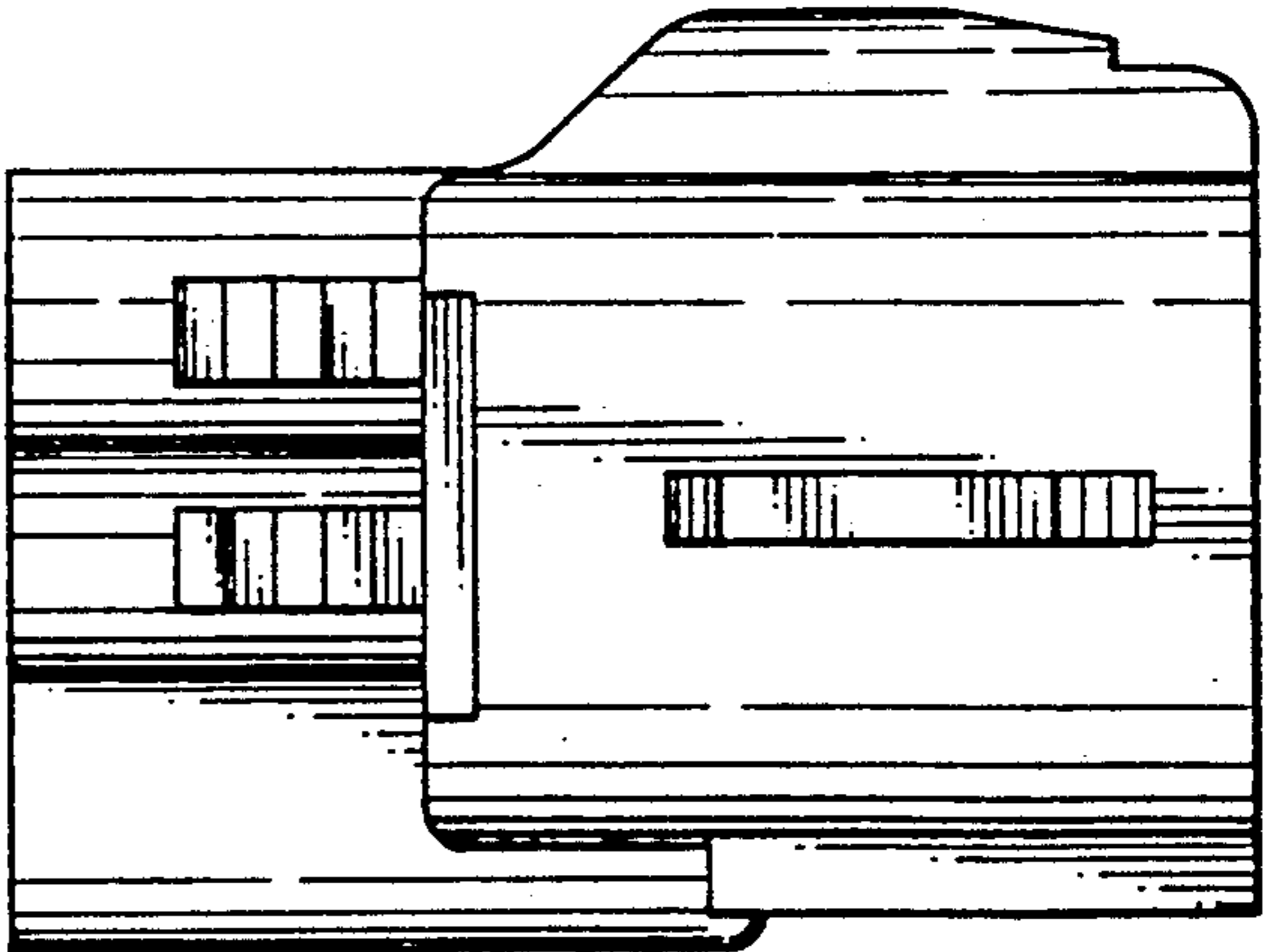


FIG. 5

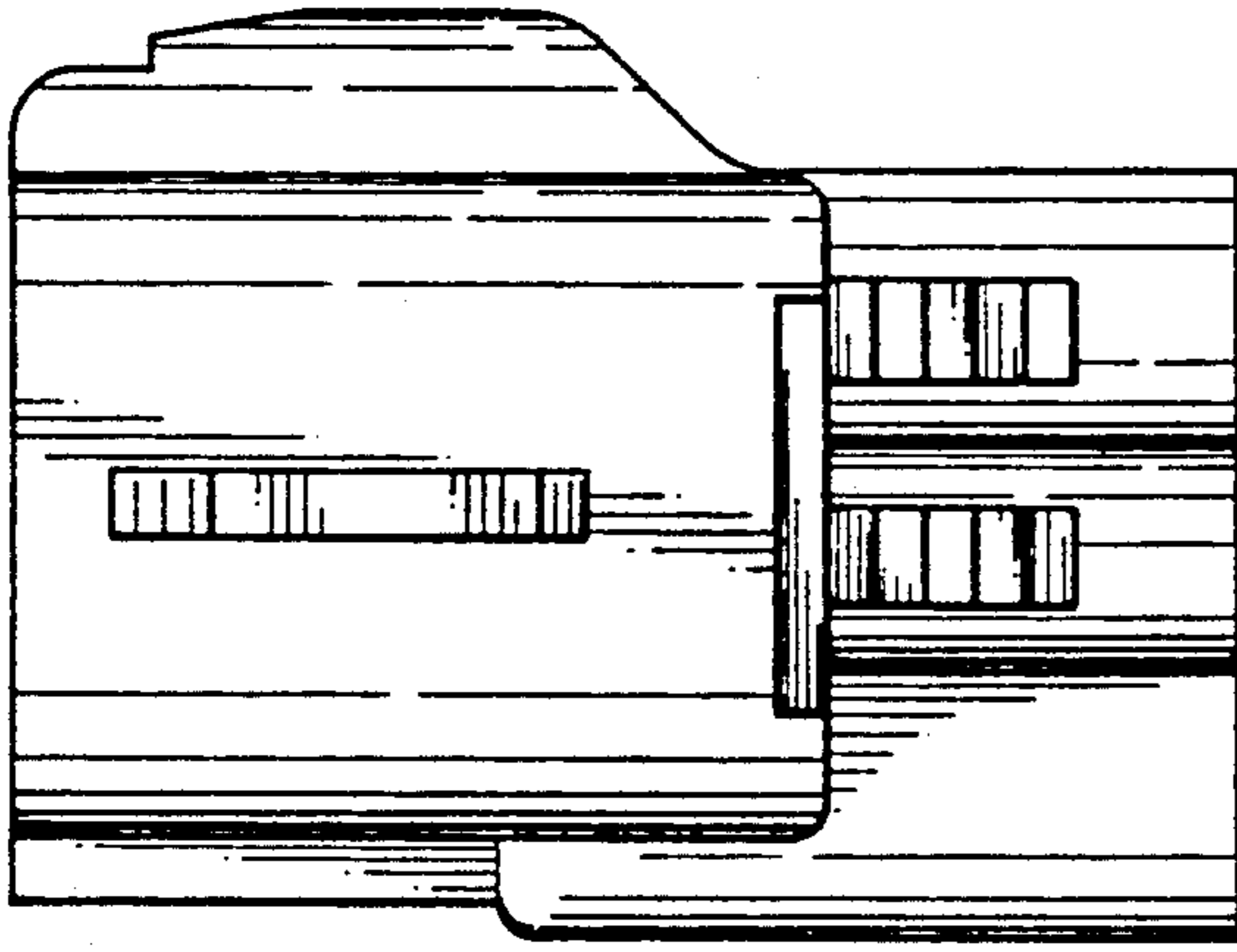


FIG. 6

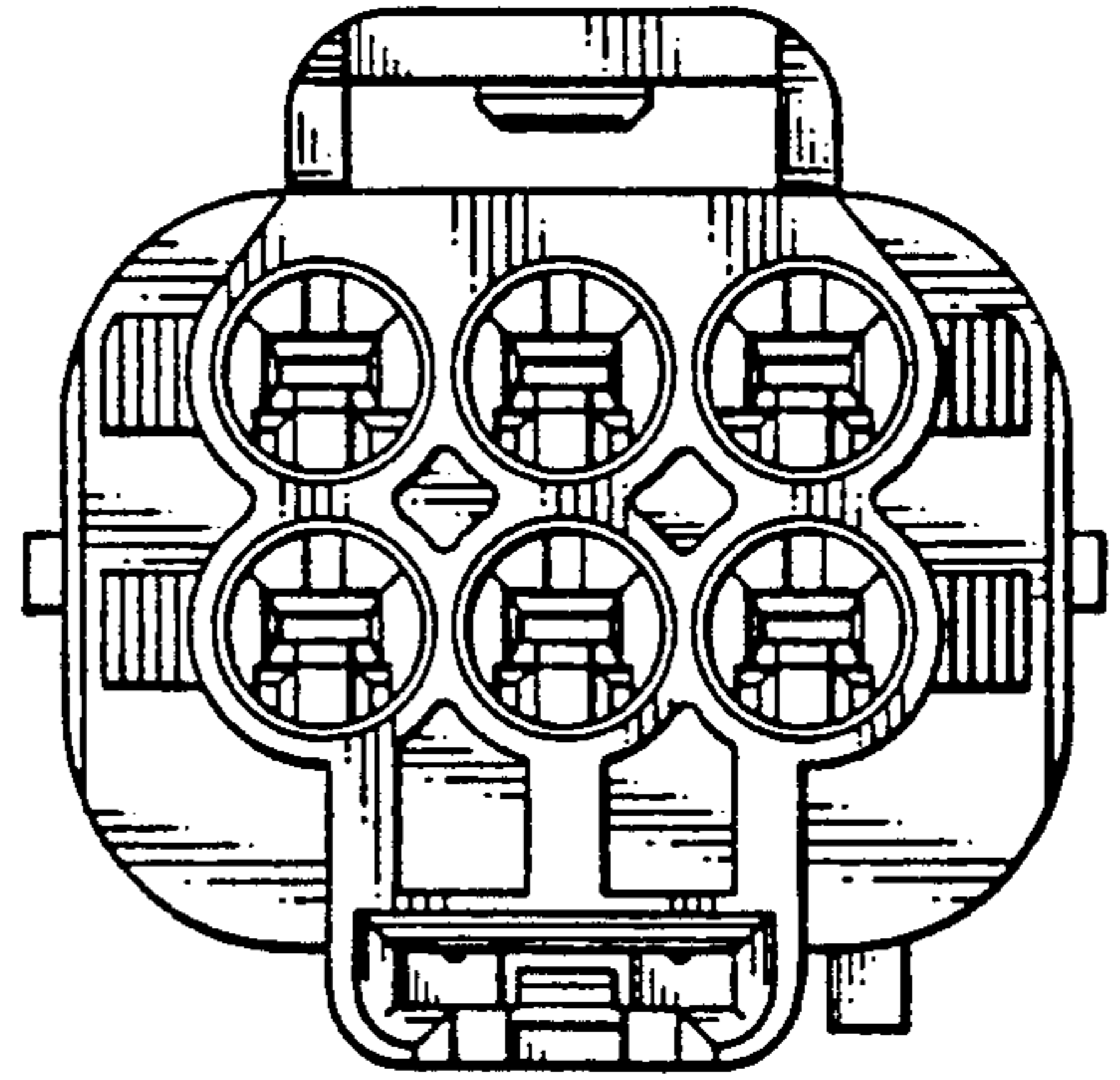


FIG. 7

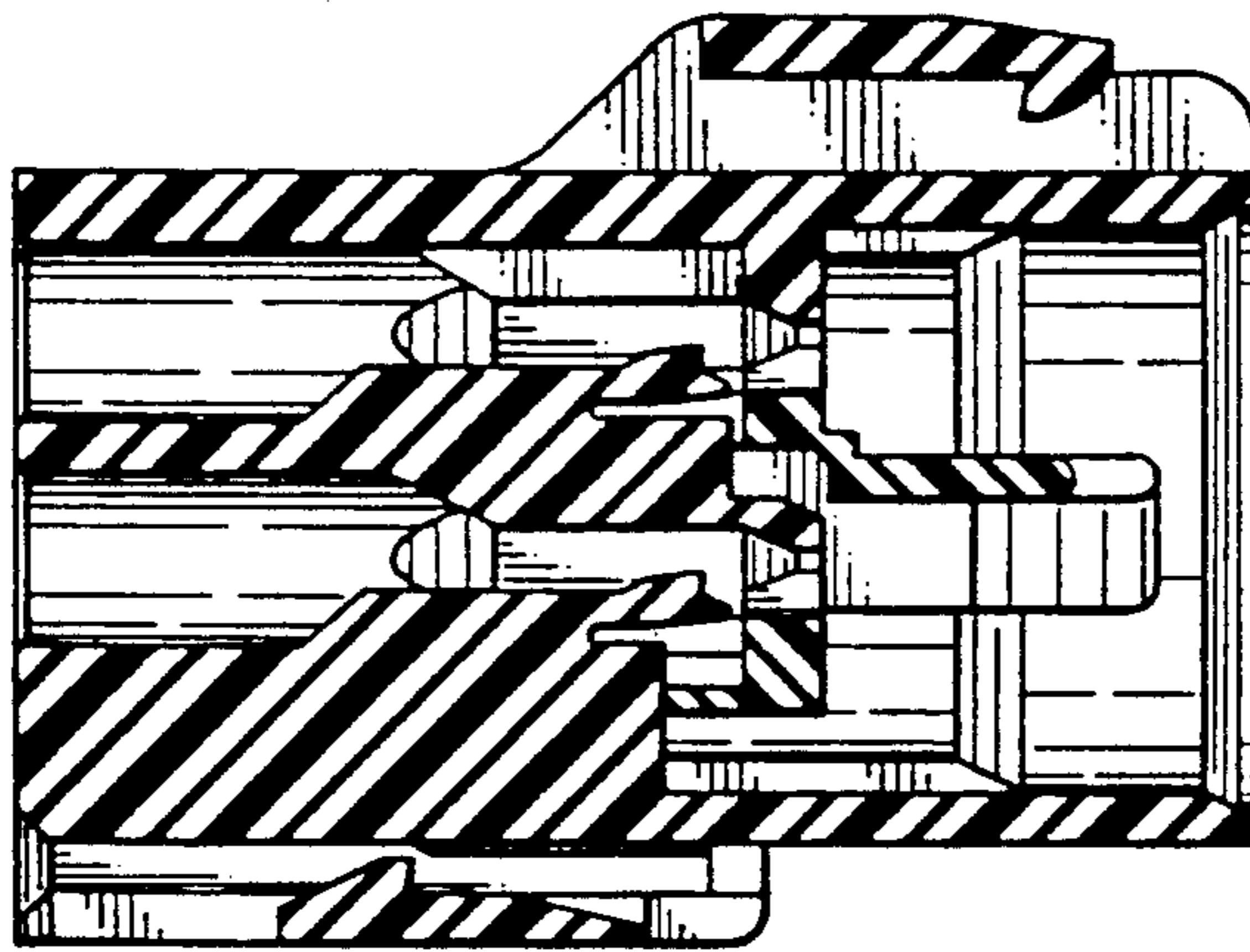
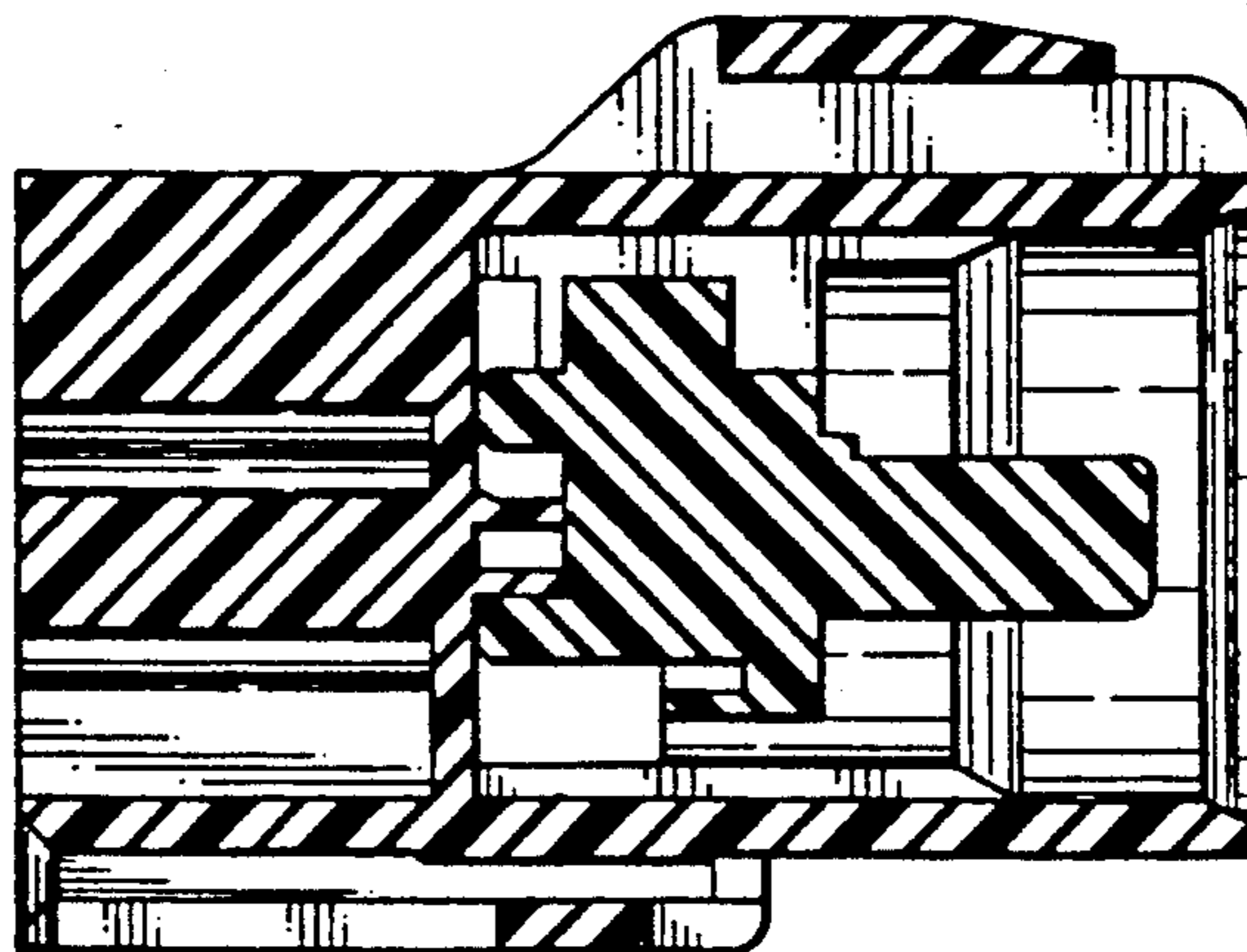


FIG. 8



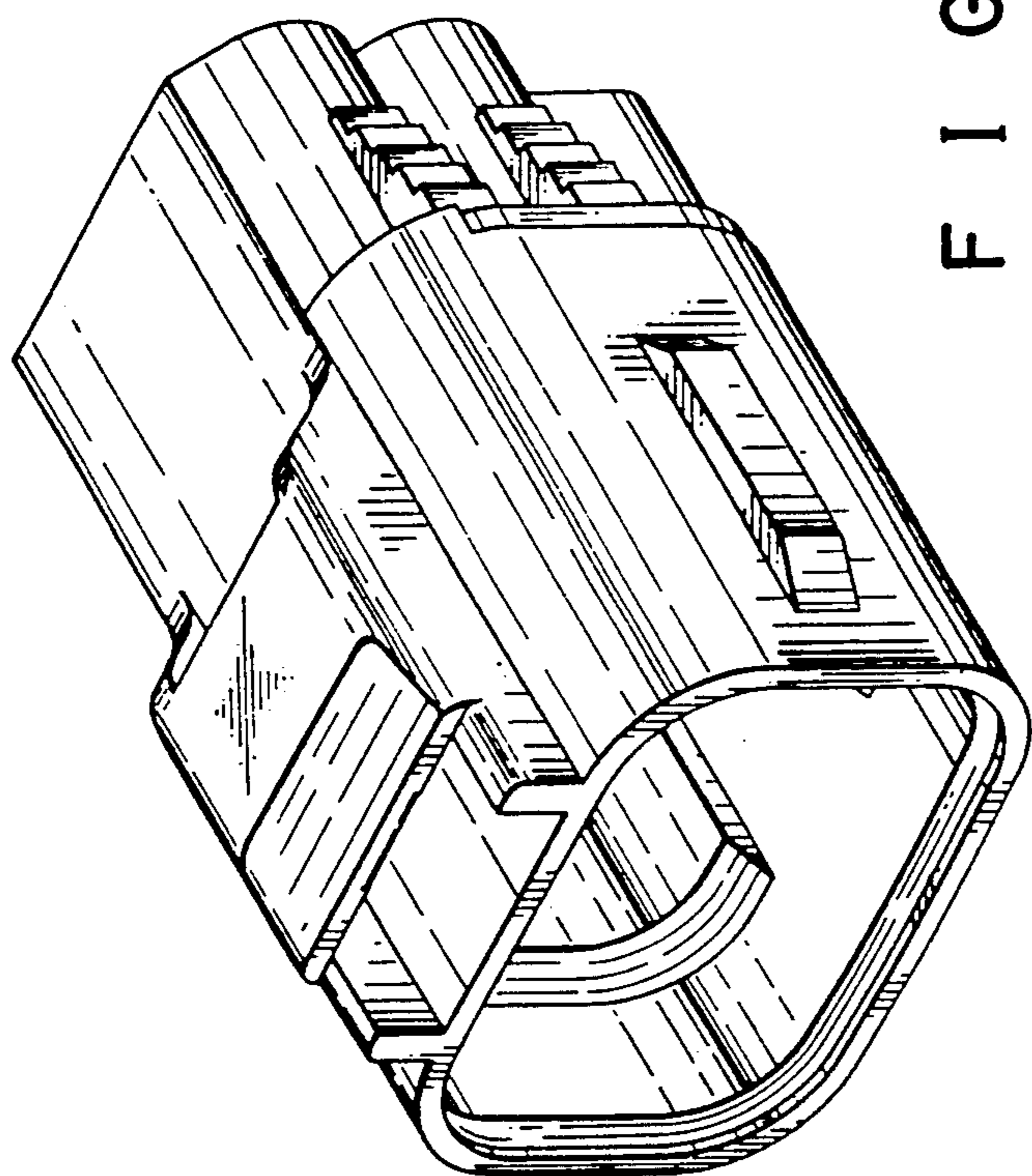


FIG. 9

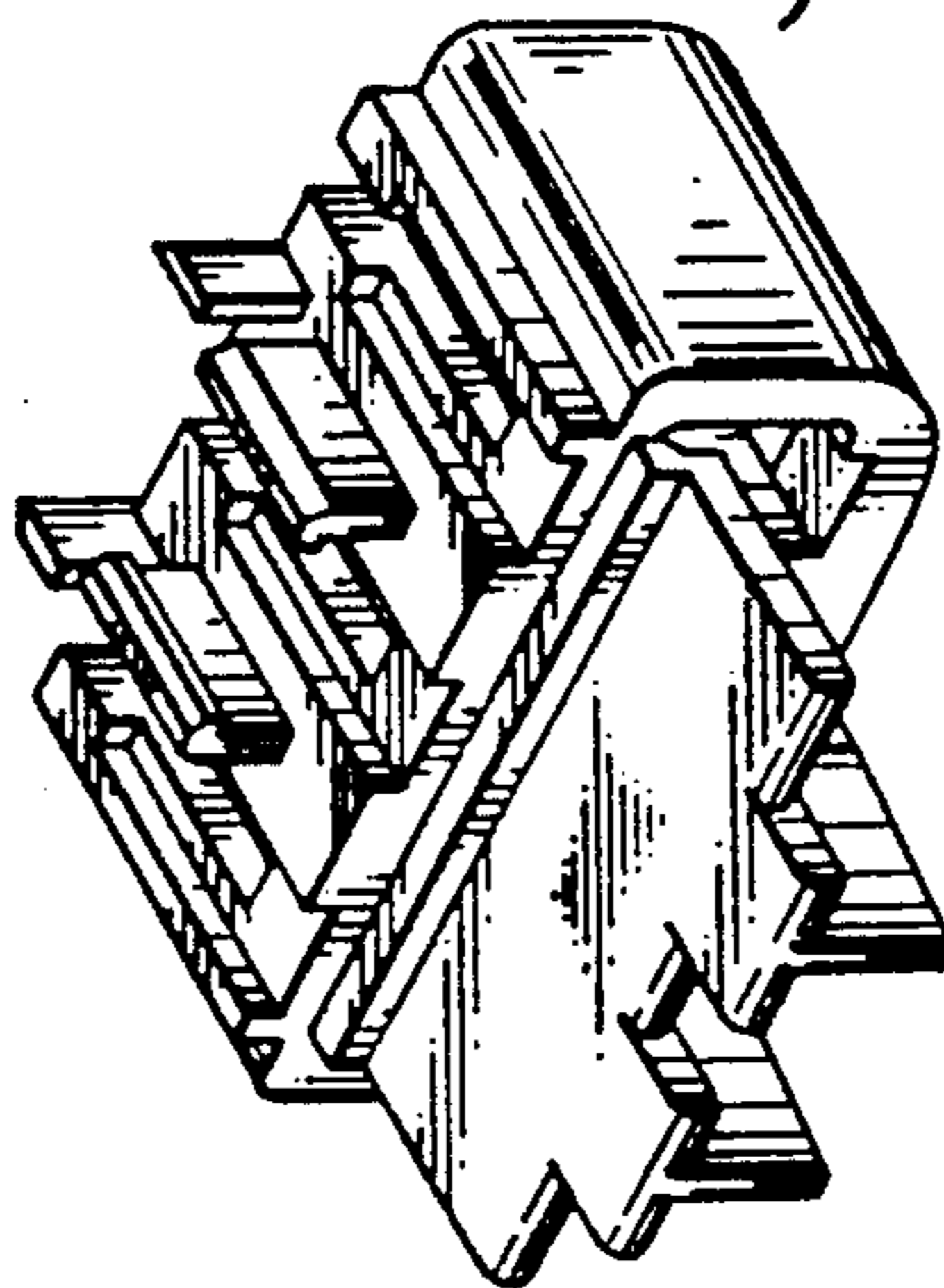


FIG. 10

