



US00D324192S

# United States Patent [19]

[11] Patent Number: **Des. 324,192**

Waltel, Jr.

[45] Date of Patent: **\*\* Feb. 25, 1992**

[54] **PLANT TRAY**

*Primary Examiner*—B. J. Bullock

[76] Inventor: **Joe Waltel, Jr.**, 10 Ruland Rd.,  
Melville, N.Y. 11747

[57] **CLAIM**

The ornamental design for a plant tray, as shown and described.

[\*\*] Term: **14 Years**

[21] Appl. No.: **494,485**

### DESCRIPTION

[22] Filed: **Mar. 16, 1990**

[52] U.S. Cl. .... **D11/164; D7/554;**  
**D34/46**

FIG. 1 is a perspective view of a plant tray showing my new design;

FIG. 2 is a top plan view thereof;

FIG. 3 is a front elevational view thereof;

FIG. 4 is a rear elevational view thereof;

FIG. 5 is a right side elevational view thereof, the left side elevational view being a mirror image thereof;

FIG. 6 is a bottom plan view thereof;

FIG. 7 is an enlarged sectional view taken in the direction of the arrows on line 7—7 of FIG. 2; and

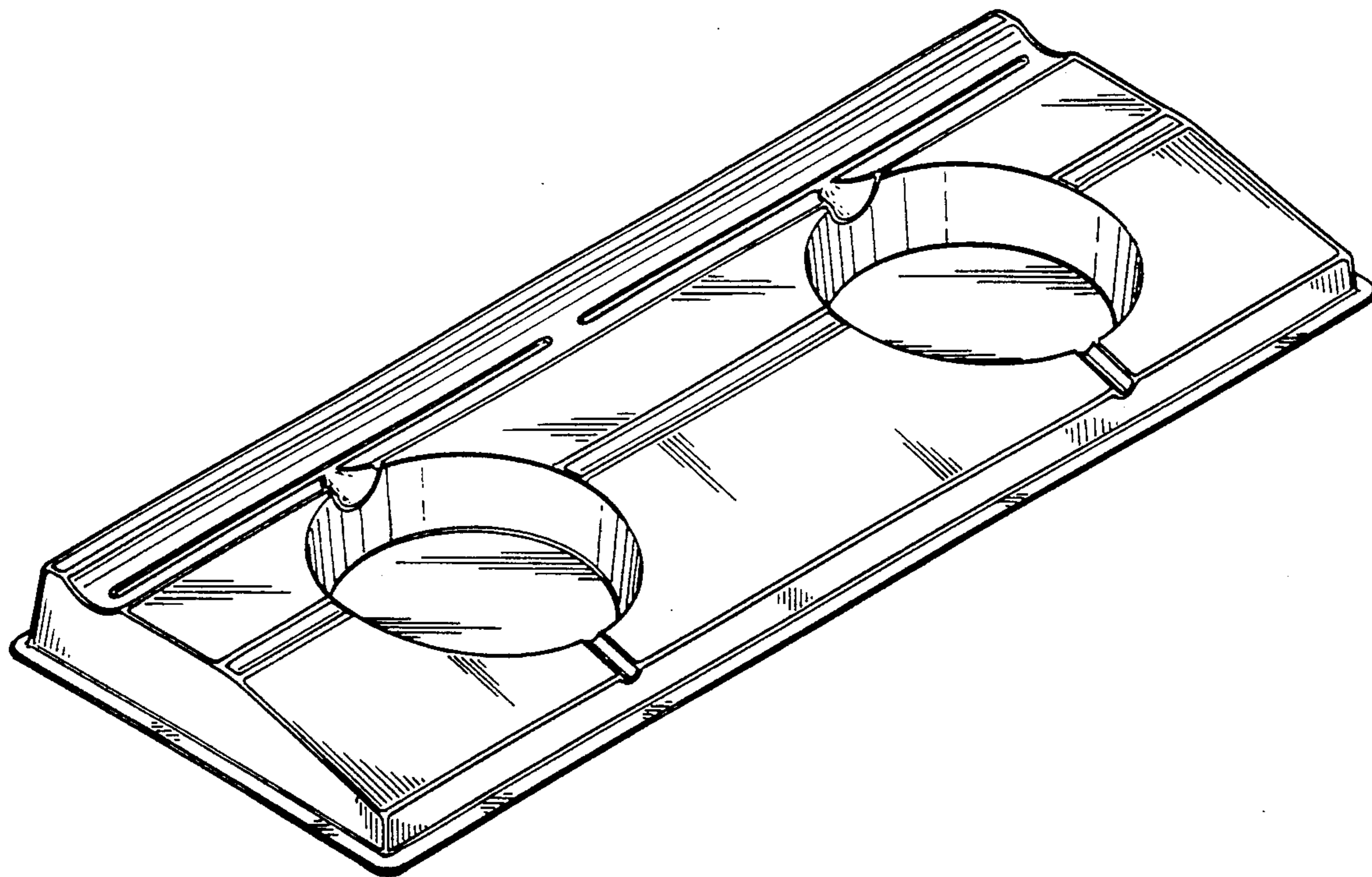
FIG. 8 is an enlarged sectional view taken in the direction of the arrows on line 8—8 of FIG. 2.

[58] Field of Search ..... **D11/164; D7/553, 555,**  
**D7/554; 47/71; 206/562, 563; D34/45, 46**

### [56] References Cited

#### U.S. PATENT DOCUMENTS

- D. 122,774 10/1940 Frederick ..... D7/554
- D. 248,208 6/1978 Miller ..... D7/554
- D. 255,310 6/1980 Spencer ..... D7/553
- D. 315,974 4/1991 Steiner ..... D7/554



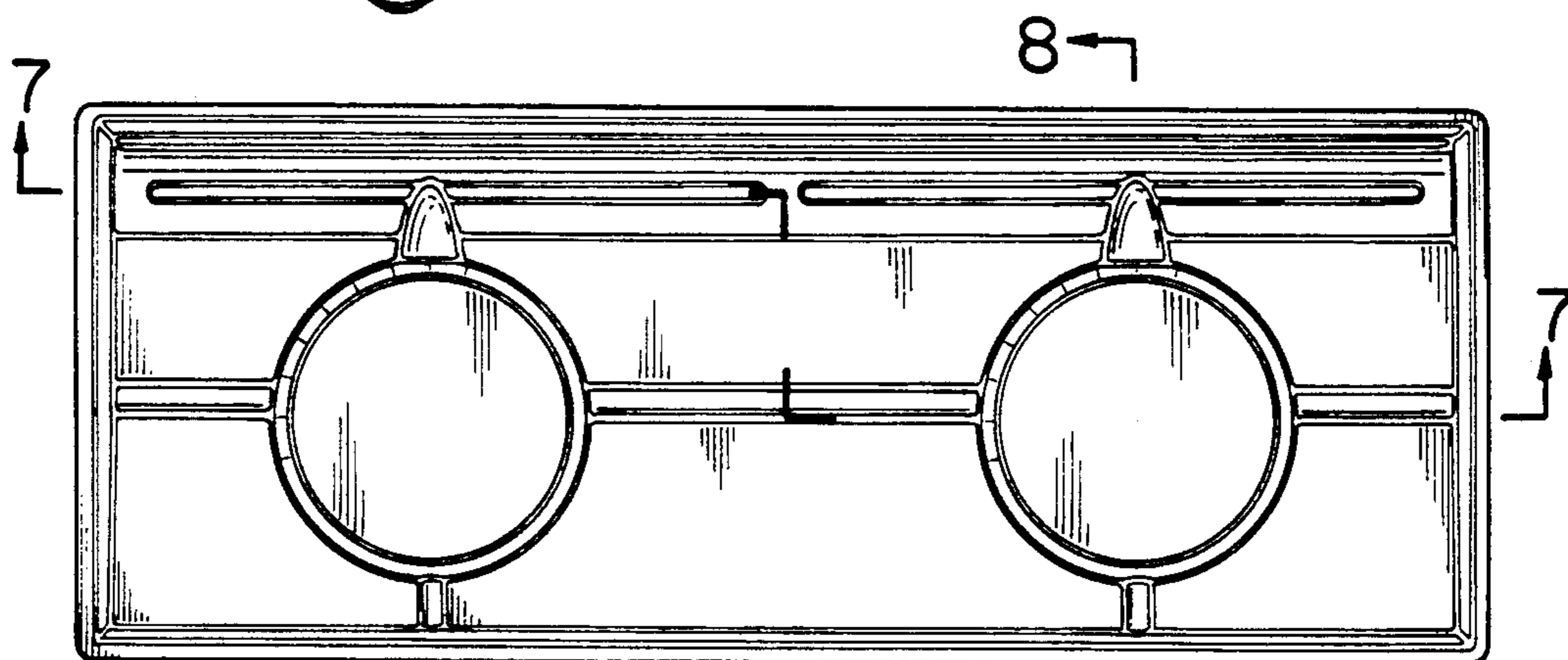
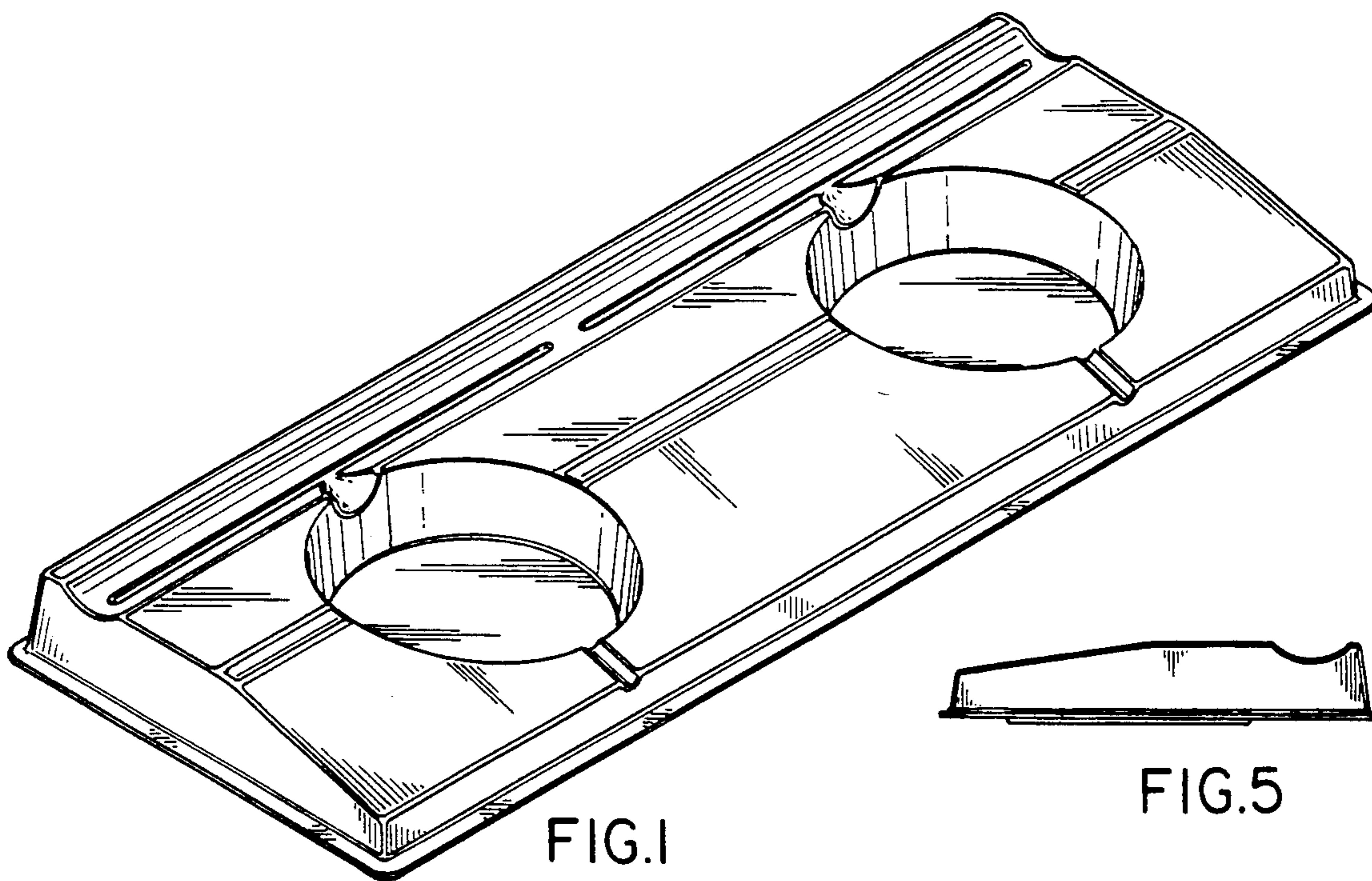


FIG. 2

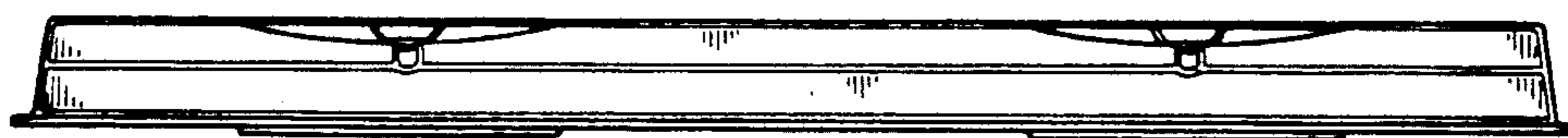


FIG. 3

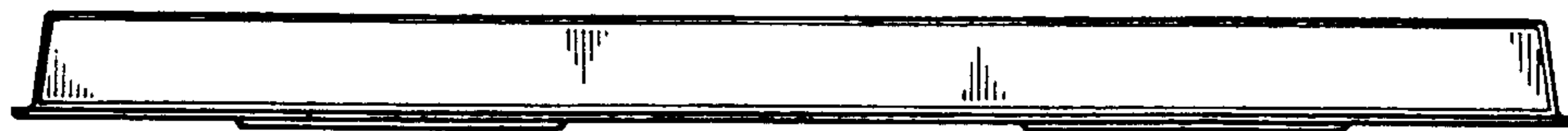


FIG. 4

FIG.6

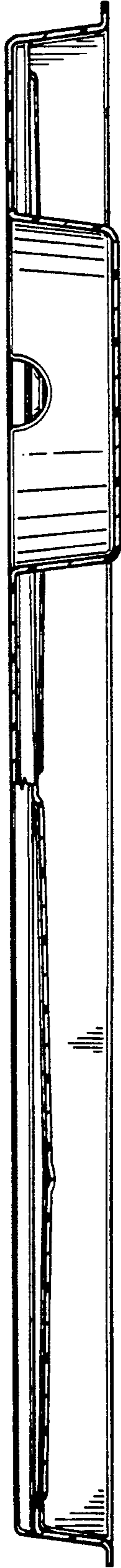
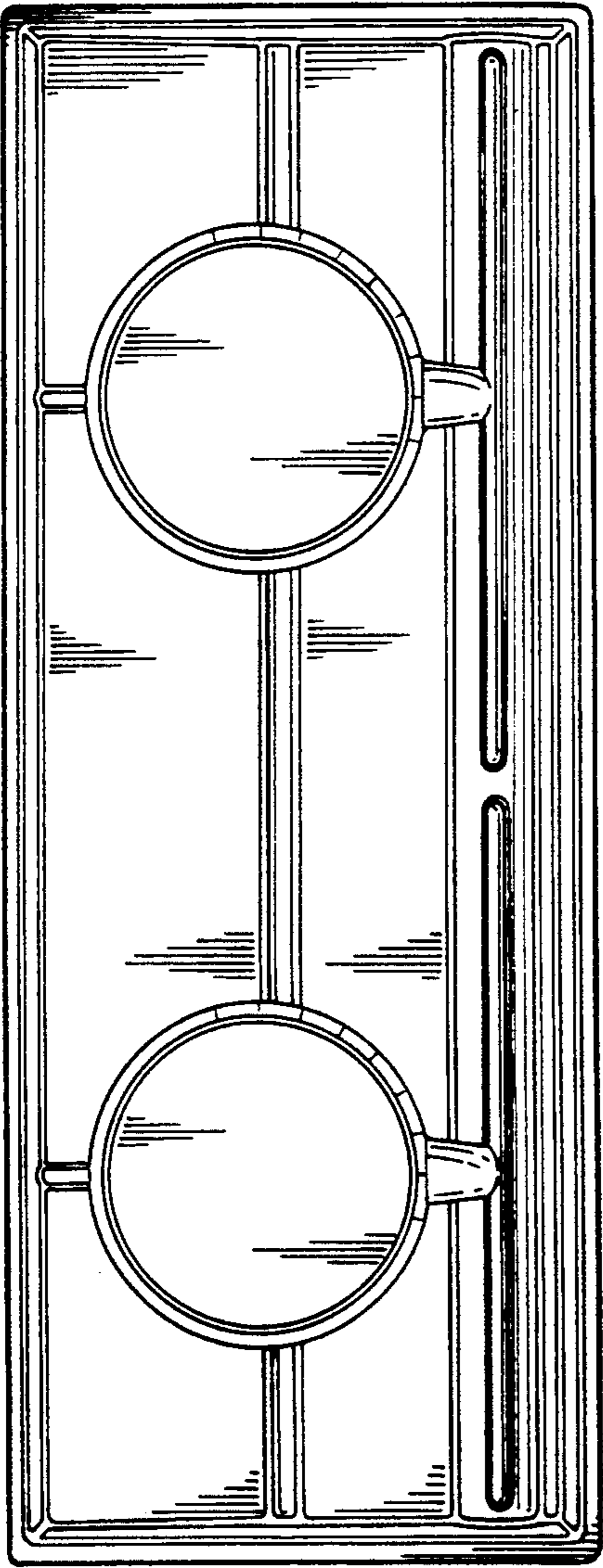


FIG.7

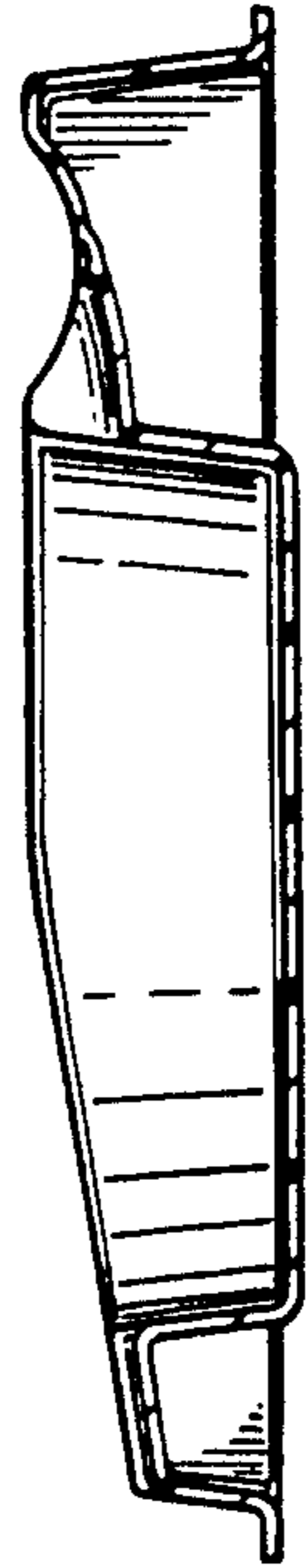


FIG.8