



US00D324191S

# United States Patent [19]

Abare et al.

[11] Patent Number: **Des. 324,191**

[45] Date of Patent: **\*\* Feb. 25, 1992**

## [54] GARDEN PLANTER

[76] Inventors: **Charles H. Abare; Cheryl G. Abare**, both of R.D. #2, Box 4008, Montpelier, Vt. 05602

[\*\*] Term: **14 Years**

[21] Appl. No.: **505,010**

[22] Filed: **Apr. 5, 1990**

[52] U.S. Cl. .... **D11/143**

[58] Field of Search ..... **D11/143; 47/66, 72; D34/1, 5, 6; D9/351, 355**

### [56] References Cited

#### U.S. PATENT DOCUMENTS

D. 29,252	8/1898	Bogert	.....	D9/351
D. 226,397	2/1973	Franklin	.....	D34/1
D. 268,337	3/1983	Tenzer et al.	.....	D11/143
4,955,499	9/1990	Petty	.....	47/72

## OTHER PUBLICATIONS

Sweet's Architectural Cat. File 1978 Sec. 2.15/wo; p. 5; 3600 Series Cylindrical Planter.

Sweet's Architectural Cat. File 1978; Sec. 2,15si; p. 8, planter and bench Style DFB.

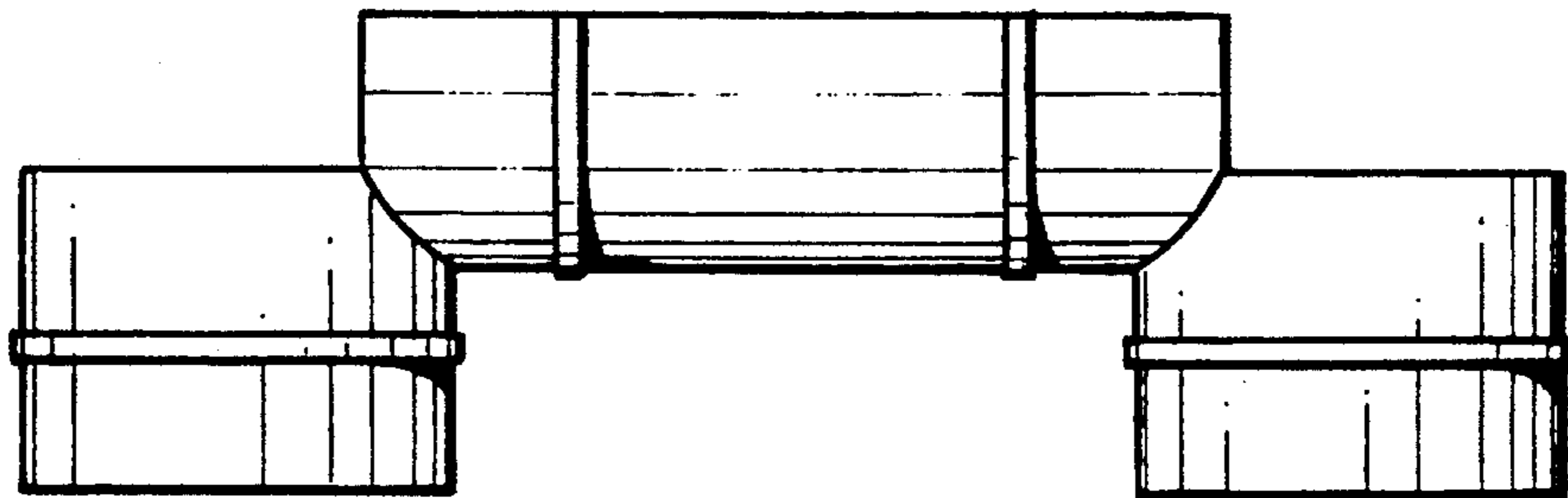
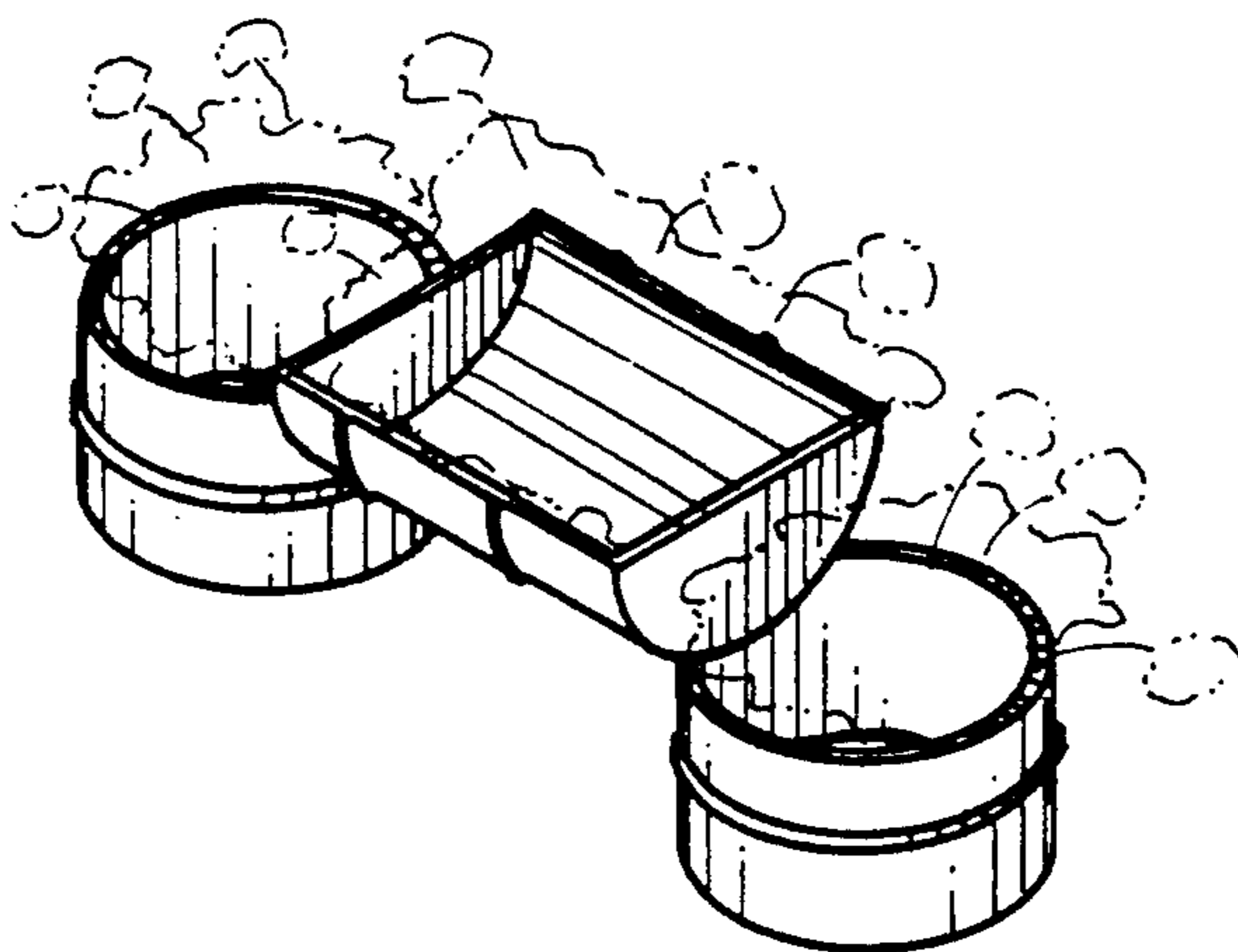
*Primary Examiner*—B. J. Bullock  
*Attorney, Agent, or Firm*—Thomas N. Neiman

## [57] CLAIM

The ornamental design for a garden planter, as shown and described.

## DESCRIPTION

FIG. 1 is a front elevational view of a garden planter showing our new design, the rear being identical; FIG. 2 is a side elevational view thereof, both sides being identical; FIG. 3 is a top plan view thereof; FIG. 4 is a bottom plan view thereof; and FIG. 5 is a reduced perspective view thereof, the flowers being shown in broken lines for illustrative purposes only.



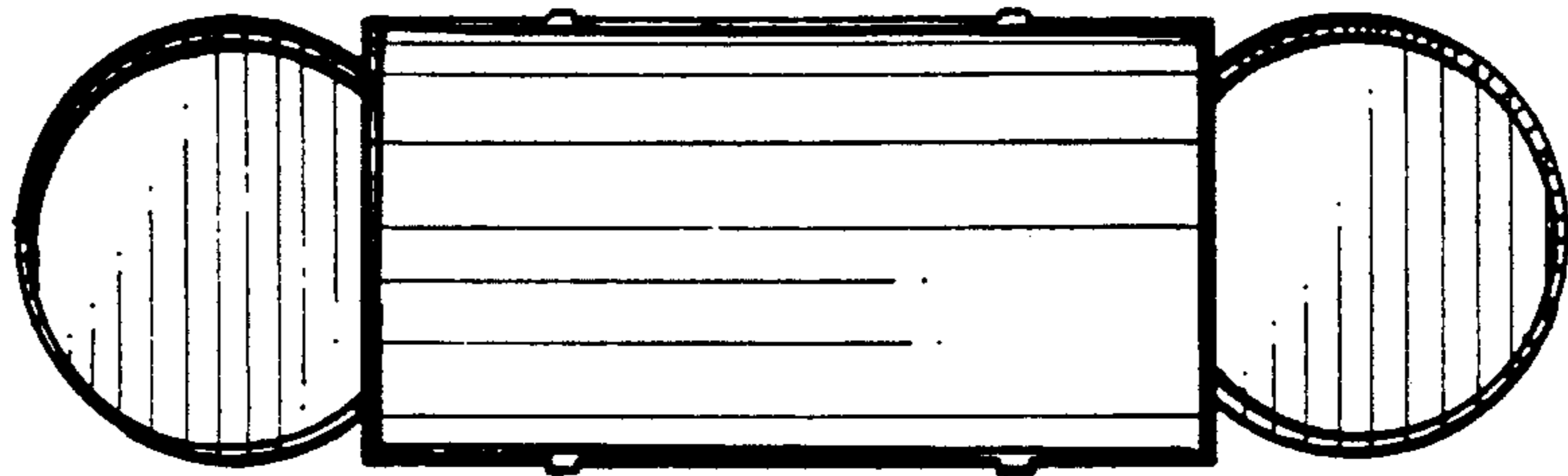


FIG. 3

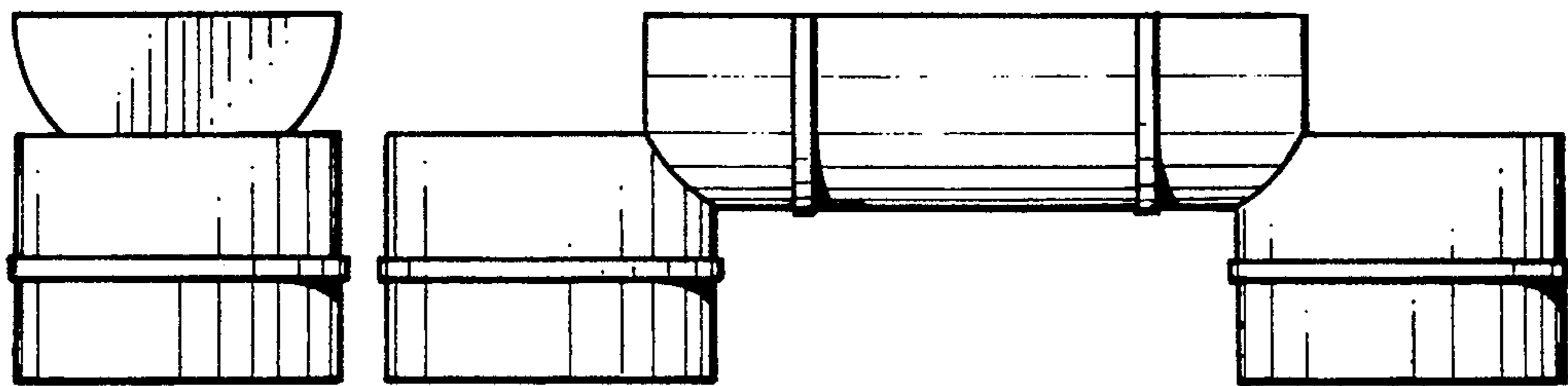


FIG. 2

FIG. 1

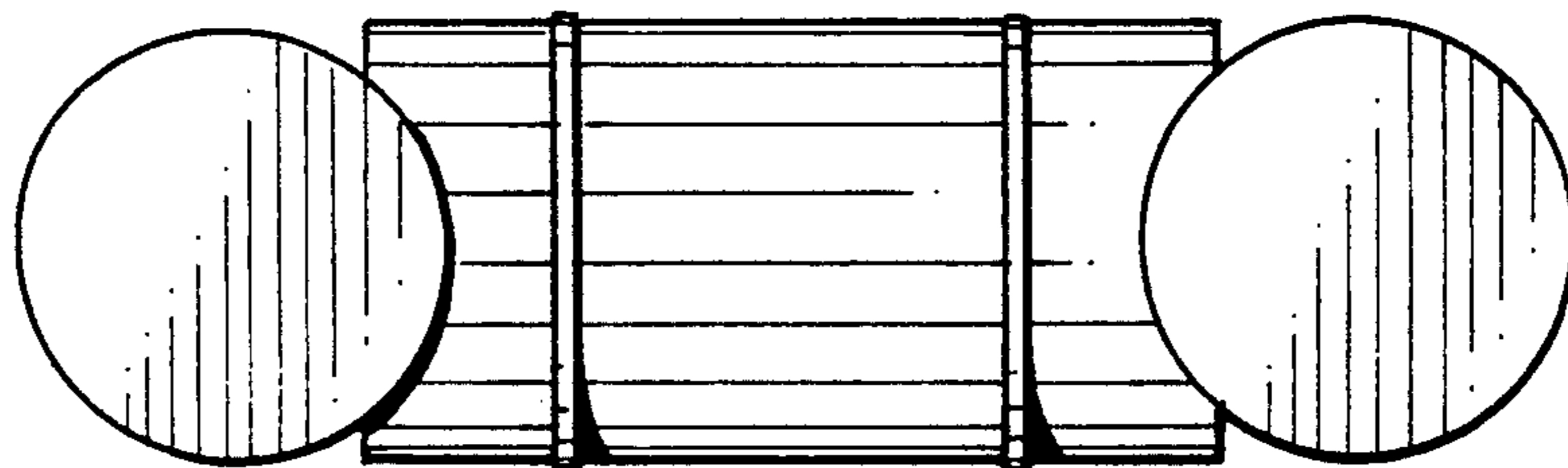


FIG. 4

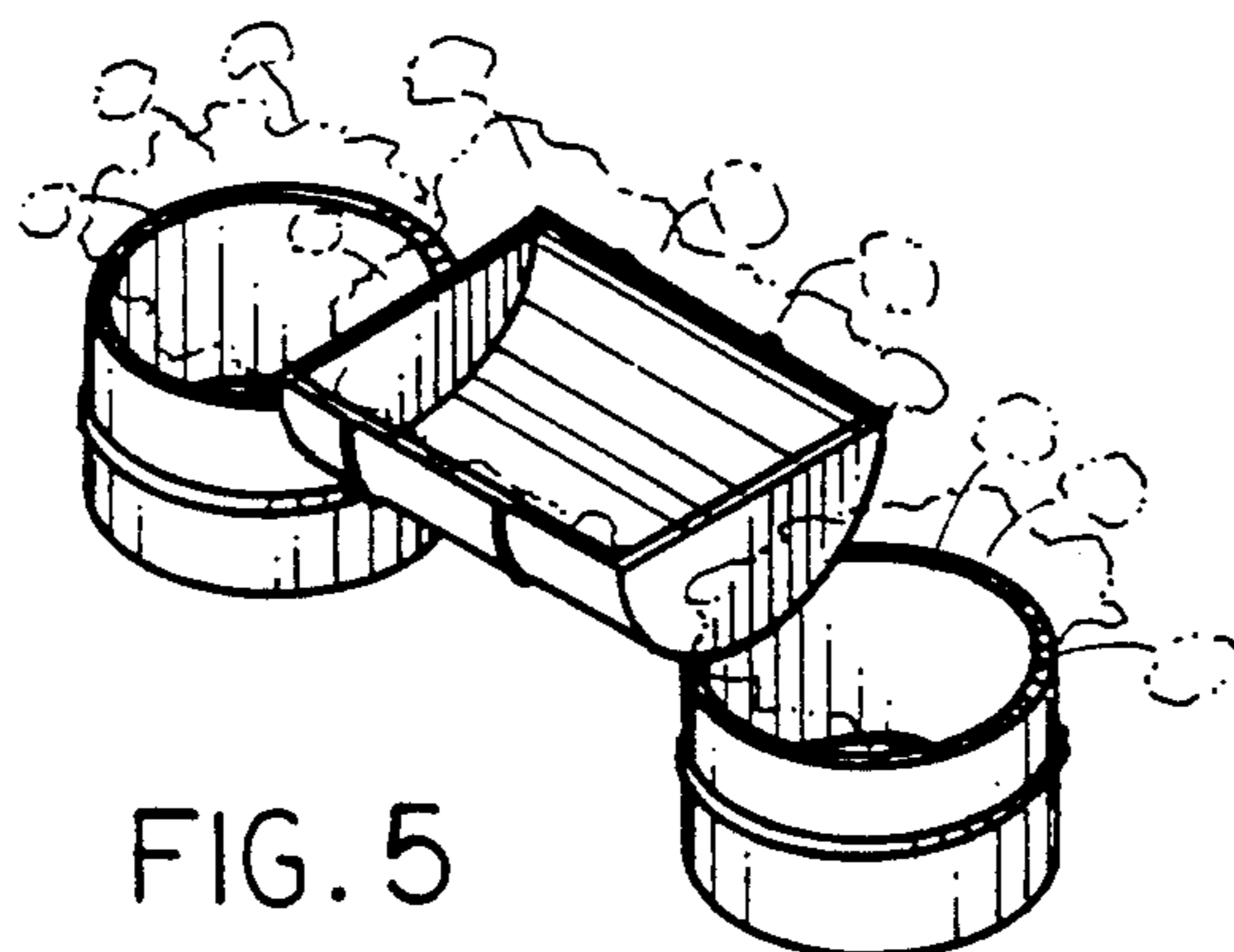


FIG. 5