



-US00D324184S

# United States Patent [19]

[11] Patent Number: **Des. 324,184**

Benech

[45] Date of Patent: **\*\* Feb. 25, 1992**

[54] **COMBINED PENCIL SHARPENER AND MEASURING TAPE**

D. 304,425 11/1989 Hara et al. .... D10/72  
1,259,886 3/1918 Meleod ..... 33/766 X

[76] Inventor: **David H. Benech**, 730 Rosemont Ave., Pacific Grove, Calif. 93950

*Primary Examiner*—Bruce W. Dunkins  
*Assistant Examiner*—Antoine D. Davis  
*Attorney, Agent, or Firm*—Leon Gilden

[\*\*] Term: **14 Years**

[57] **CLAIM**

[21] Appl. No.: **402,269**

The ornamental design for a combined pencil sharpener and measuring tape, as shown and described.

[22] Filed: **Sep. 5, 1989**

[52] U.S. Cl. .... **D10/72**

[58] Field of Search ..... D10/72; 33/759, 760, 33/761, 762, 763, 764, 765, 766, 767, 768, 769, 770

**DESCRIPTION**

FIG. 1 is a front elevational view of a combined pencil sharpener and measuring tape showing my new design; FIG. 2 is a rear elevational view; FIG. 3 is a left side elevational view; FIG. 4 is a right side elevational view; FIG. 5 is a top plan view; FIG. 6 is a bottom plan view; FIG. 7 is a bottom left side perspective view; and FIG. 8 is a top right side perspective view thereof.

[56] **References Cited**

**U.S. PATENT DOCUMENTS**

D. 72,049 2/1927 Witchger ..... D10/72  
D. 205,373 7/1966 Quenot ..... D10/72  
D. 217,835 6/1970 Henkels ..... D10/72

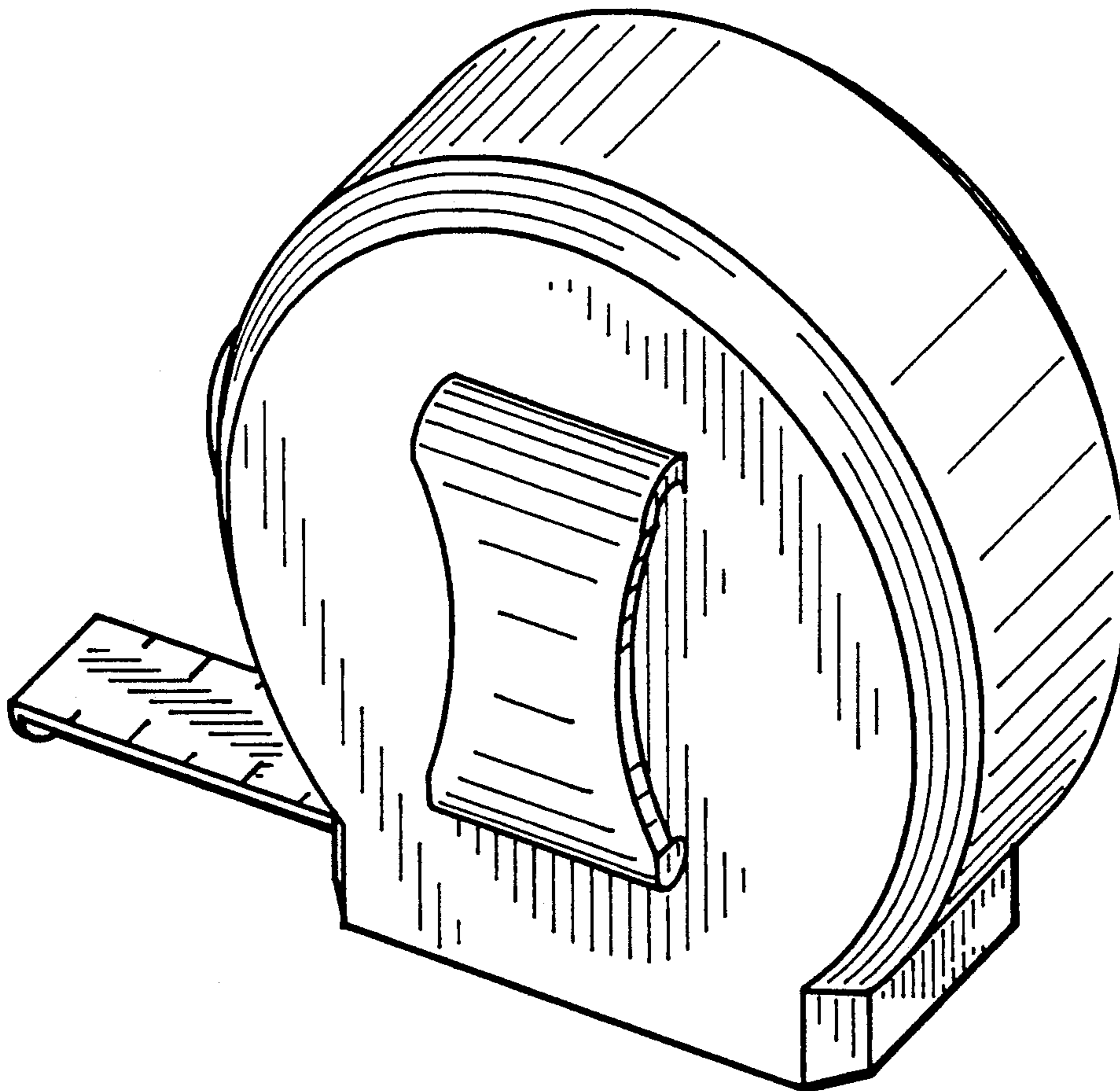


Fig. 1

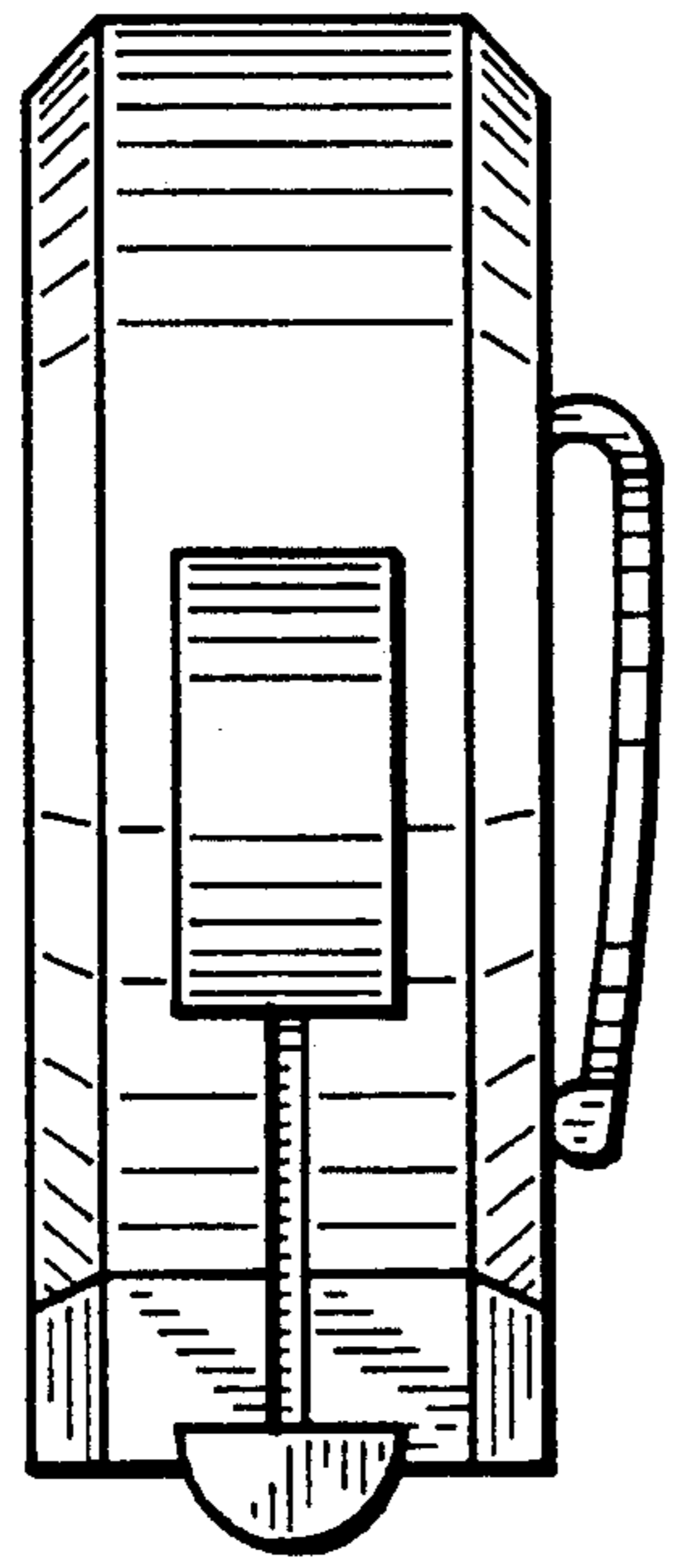


Fig. 2

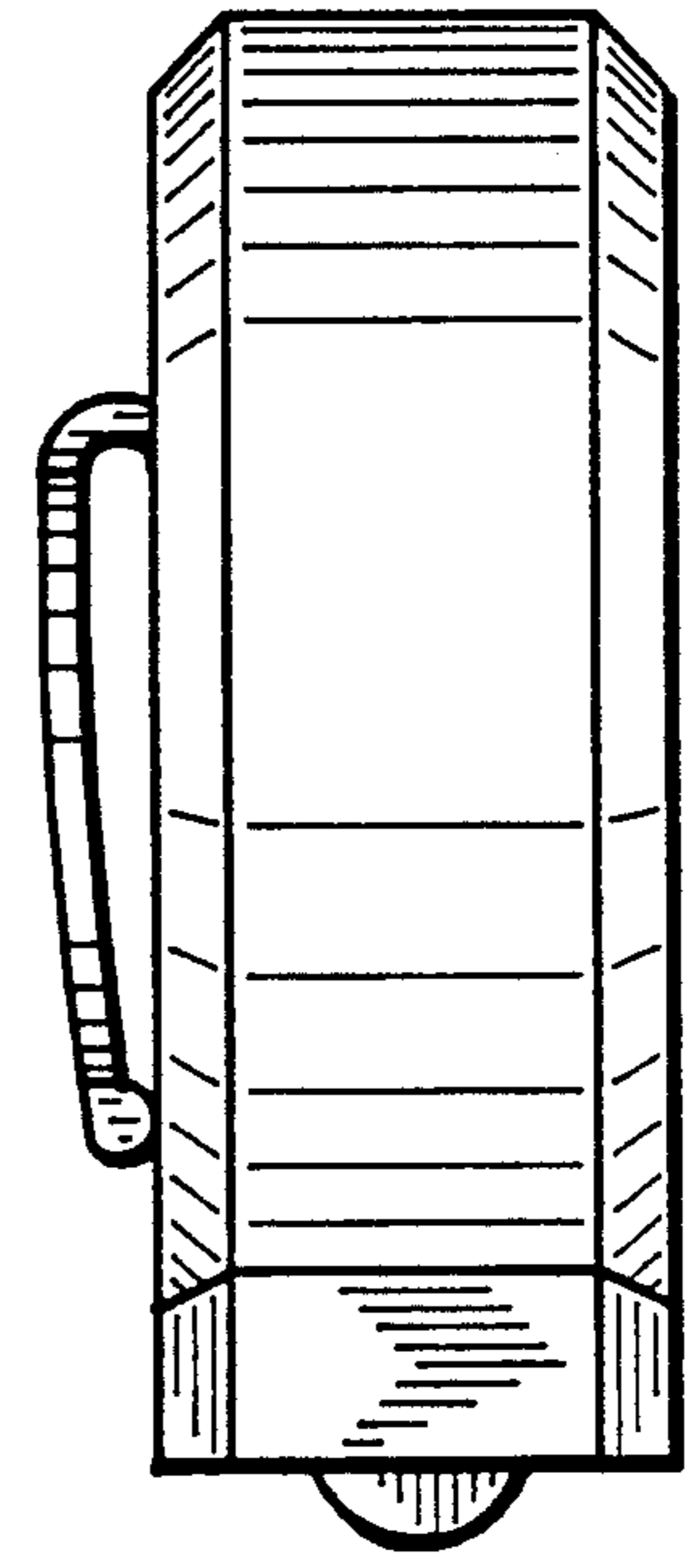


Fig. 5

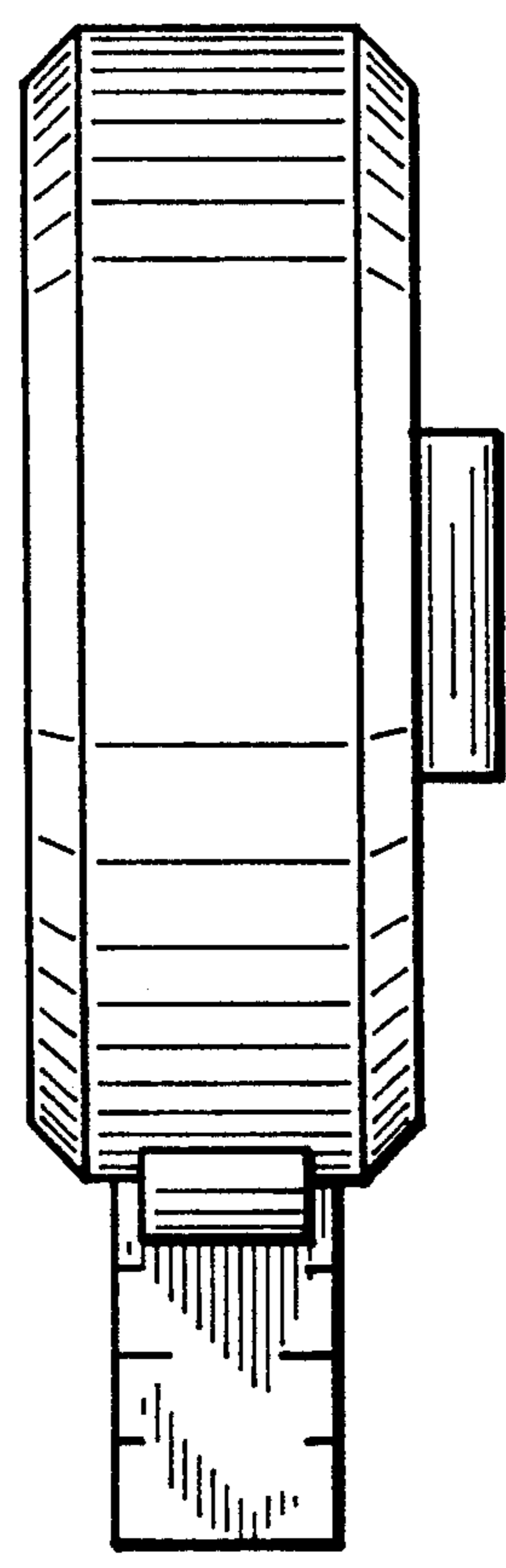
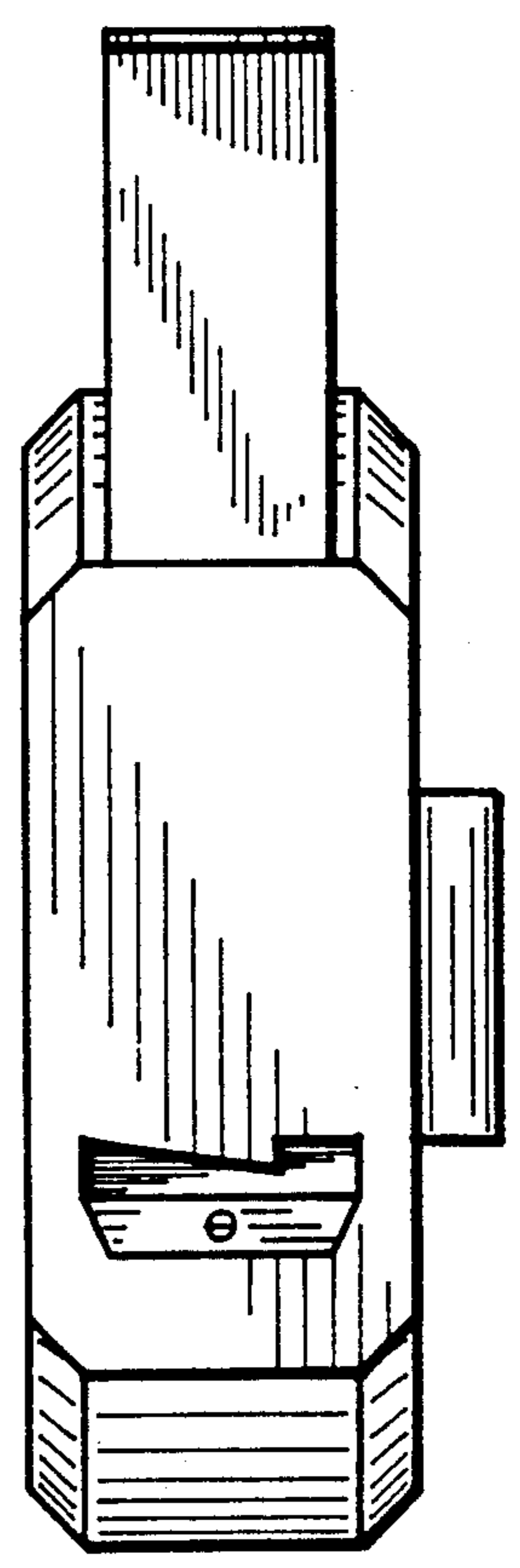


Fig. 6



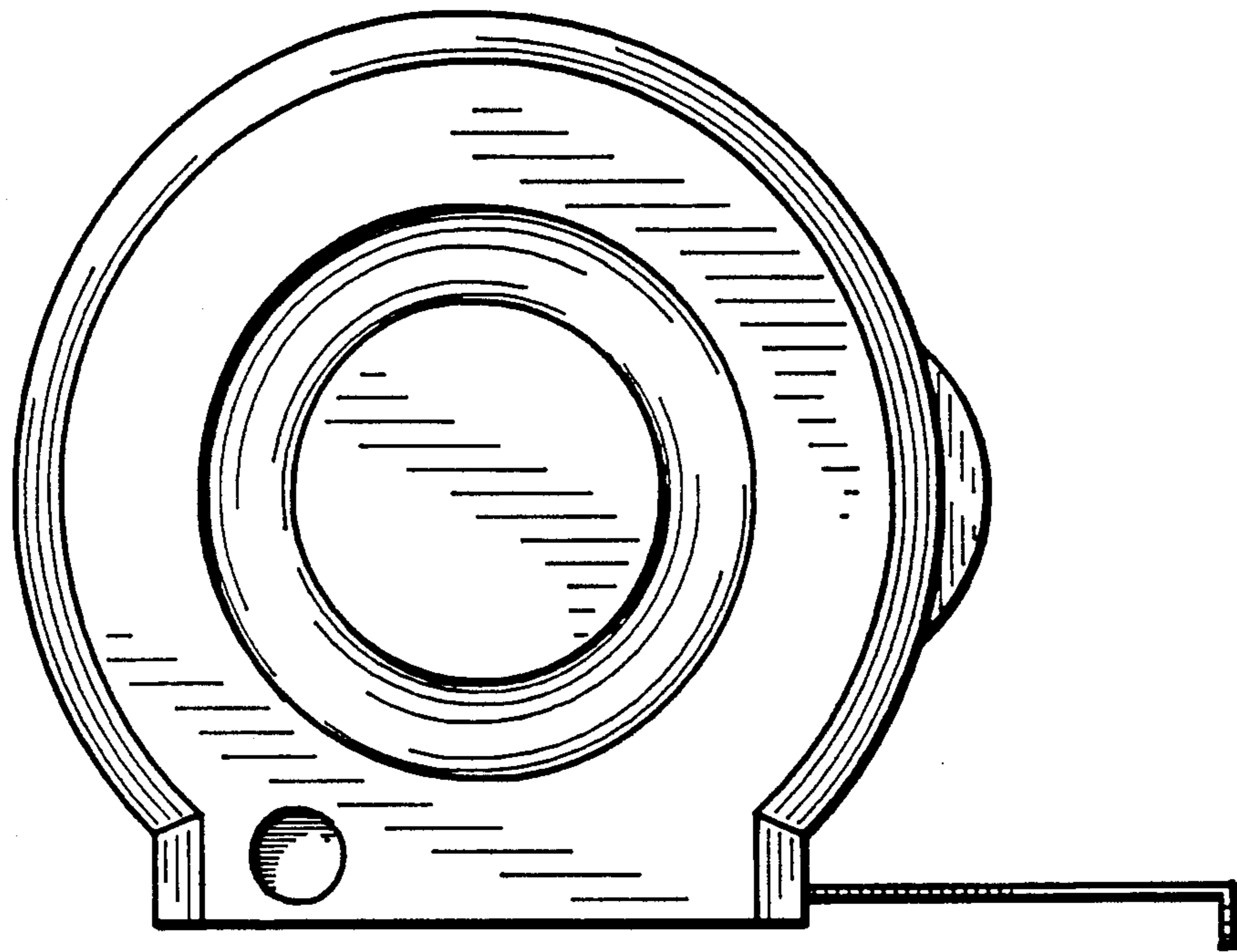


Fig. 3

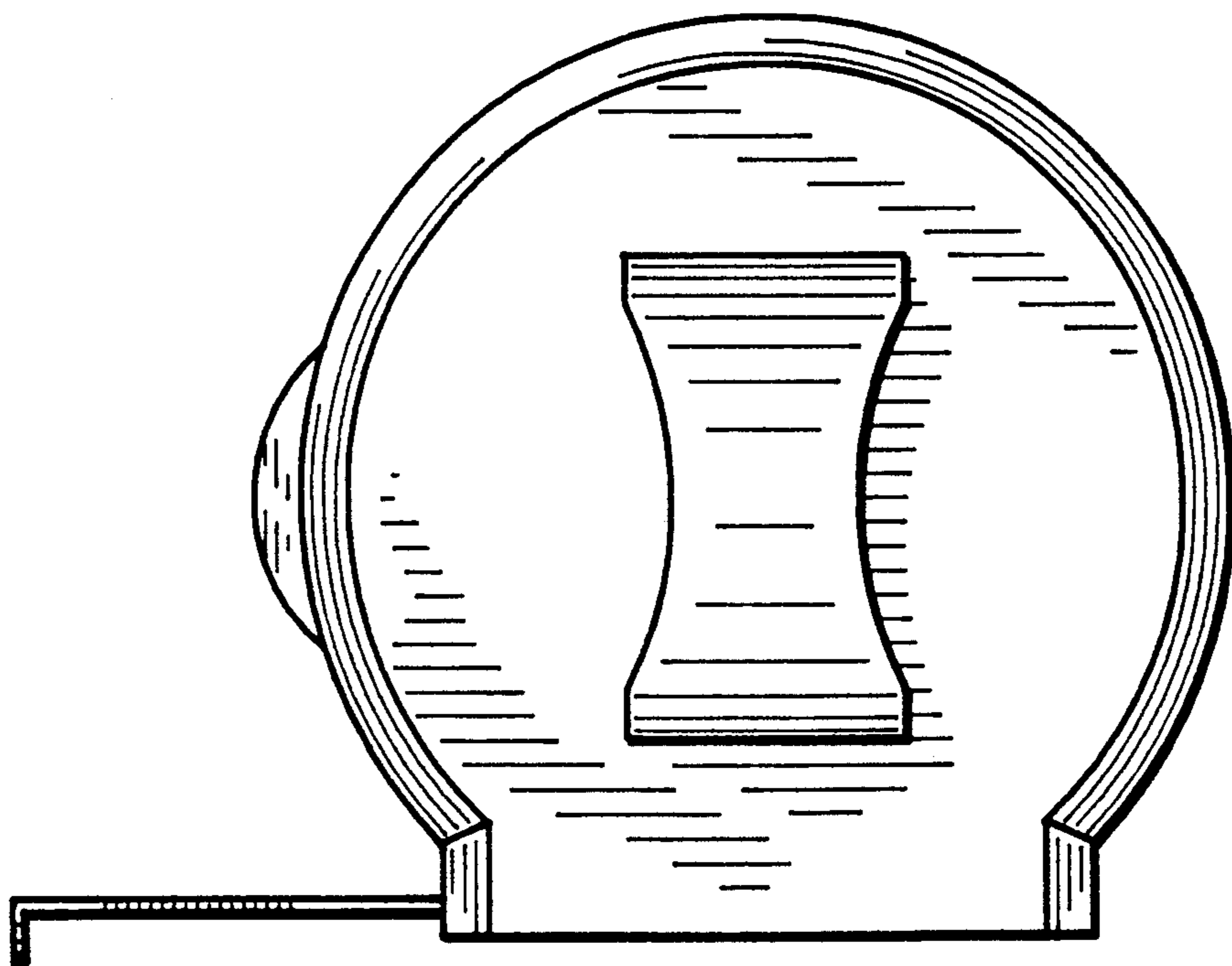


Fig. 4

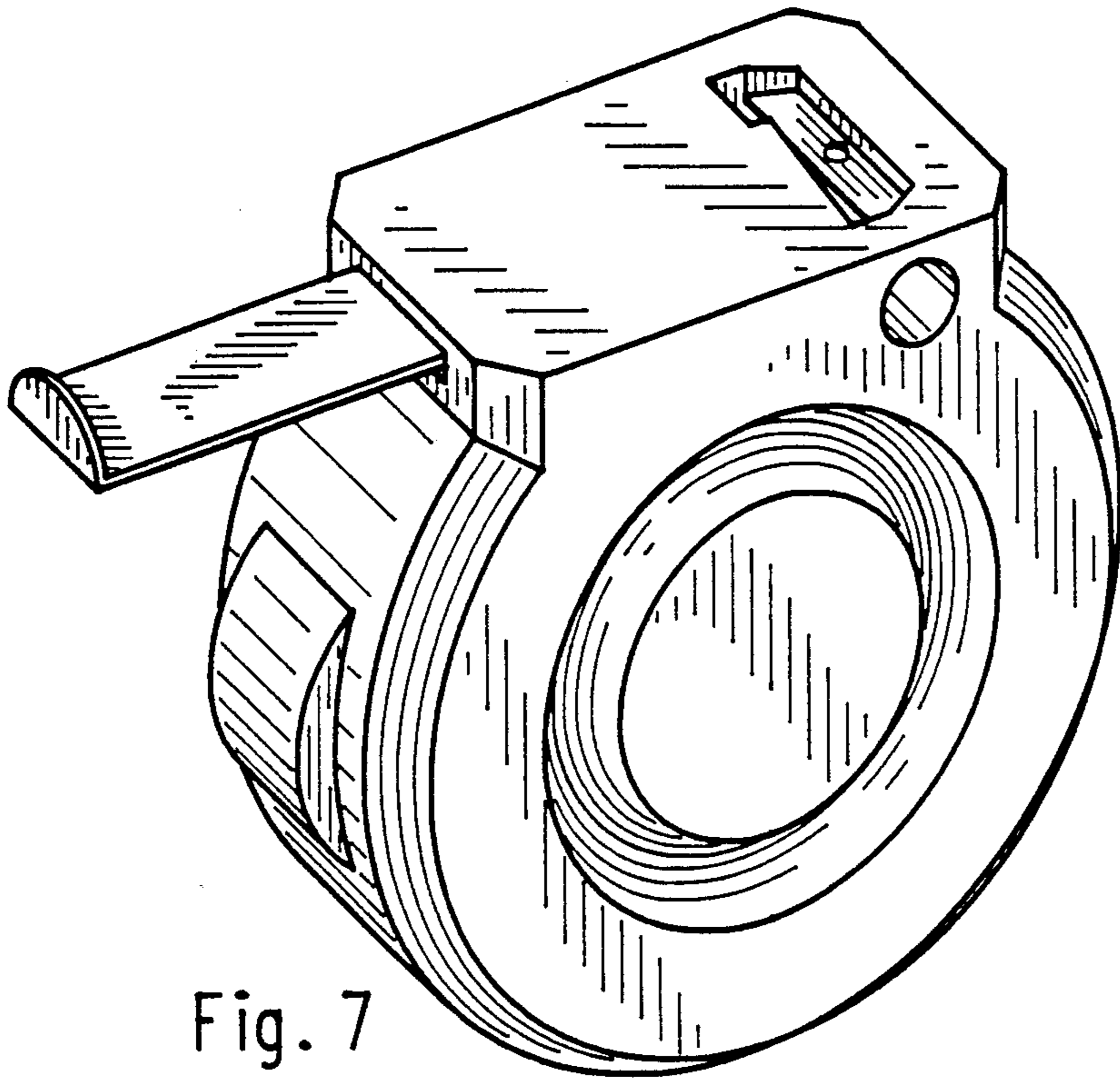


Fig. 7

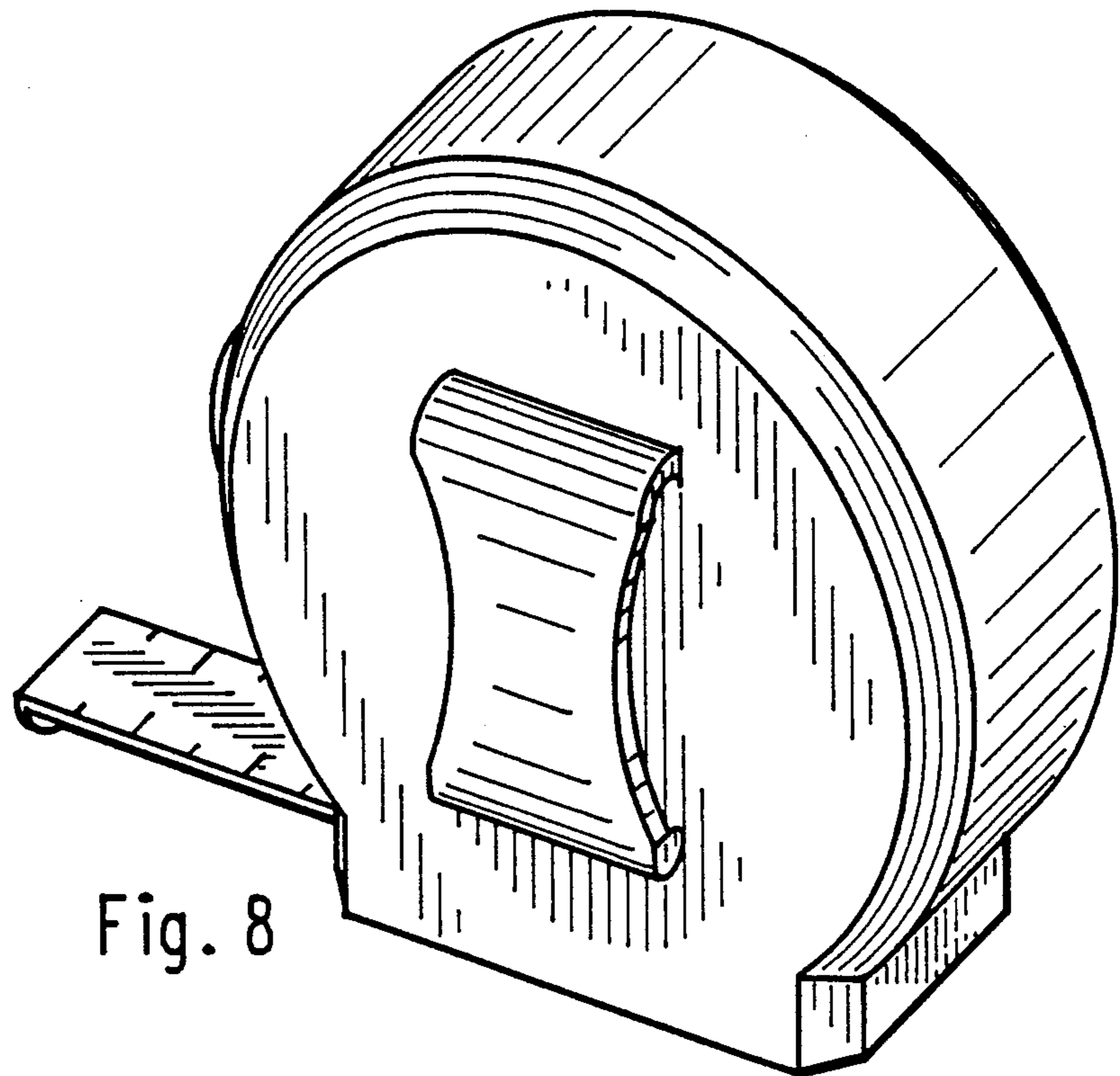


Fig. 8