



US00D324180S

United States Patent [19]

[11] Patent Number: **Des. 324,180**

Tamura

[45] Date of Patent: **** Feb. 25, 1992**

[54] **CLOCK**

[75] Inventor: **Yoshimi Tamura, Tokyo, Japan**

[73] Assignee: **Seikosha Co., Ltd., Japan**

[**] Term: **14 Years**

[21] Appl. No.: **458,821**

[22] Filed: **Dec. 29, 1989**

[52] U.S. Cl. **D10/28; D10/1**

[58] Field of Search **D10/1-40,
D10/122-132; 368/165, 279, 180, 134-138,
280-282, 285**

[56] **References Cited**

U.S. PATENT DOCUMENTS

- 2,722,097 11/1955 Lefrand 368/179 X
- 4,666,312 5/1987 Mukoyama 368/179
- 4,707,144 11/1987 Mukoyama 368/179 X

OTHER PUBLICATIONS

Jeweler's Circular—Keystone—8/85—p. 162—pendulum clocks.

European Jeweler—7/87—p. 42—pend. clock at top--right.

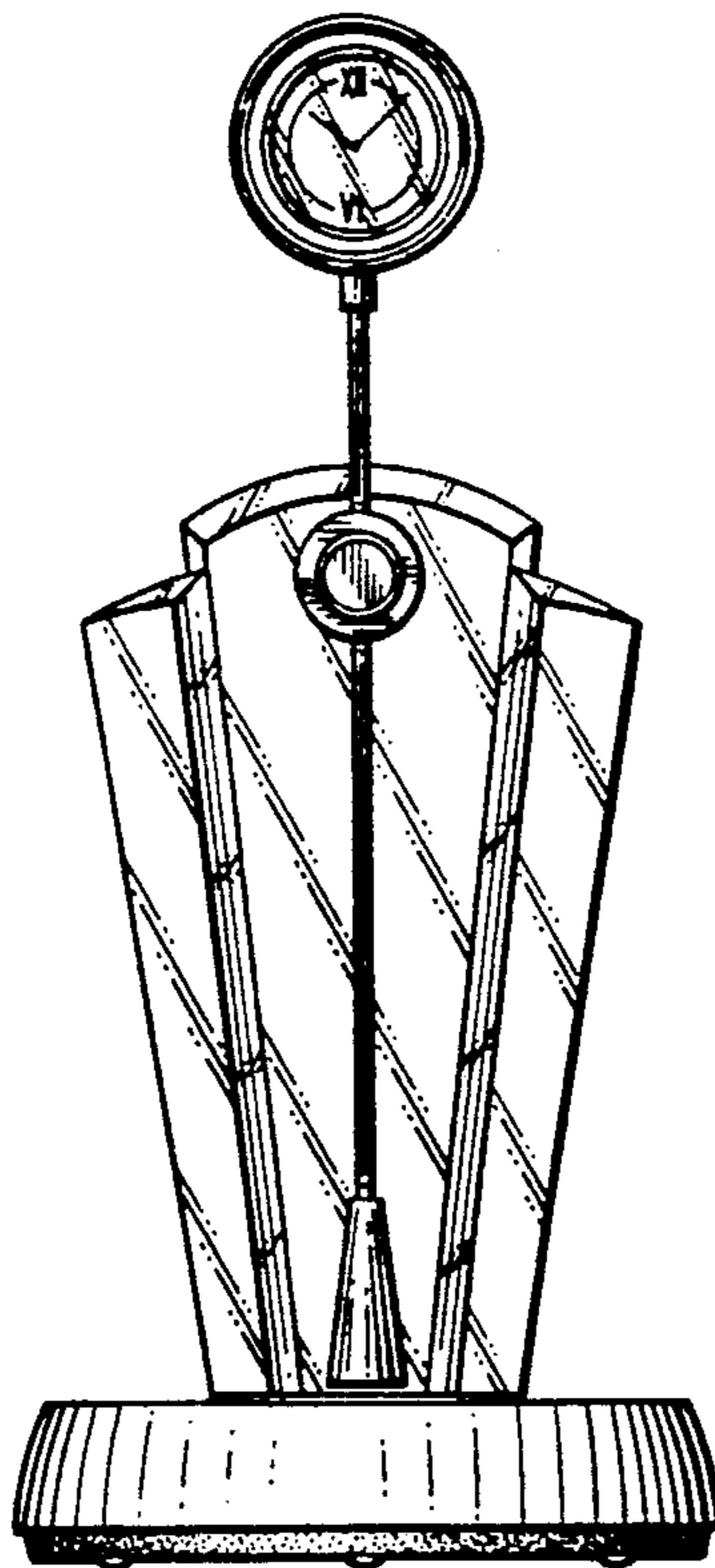
*Primary Examiner—Nelson C. Holtje
Attorney, Agent, or Firm—Bruce L. Adams; Van C. Wilks*

[57] **CLAIM**

The ornamental design for a clock, as shown and described.

DESCRIPTION

FIG. 1 is a front elevational view of a clock showing my new design;
 FIG. 2 is a rear elevational view thereof;
 FIG. 3 is a right side elevational view thereof, the left side view being a mirror image;
 FIG. 4 is a top plan view thereof; and
 FIG. 5 is a bottom plan view thereof.



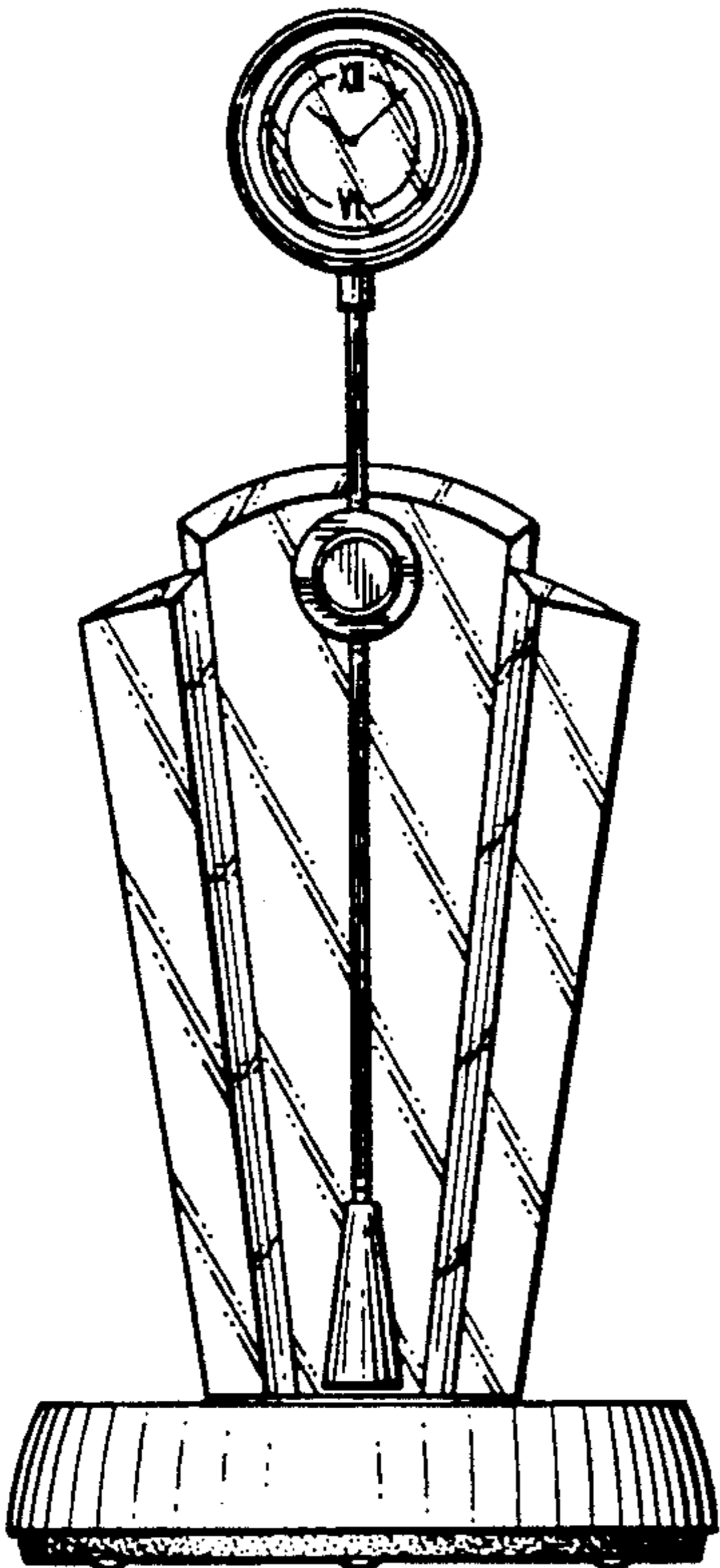


FIG. 1

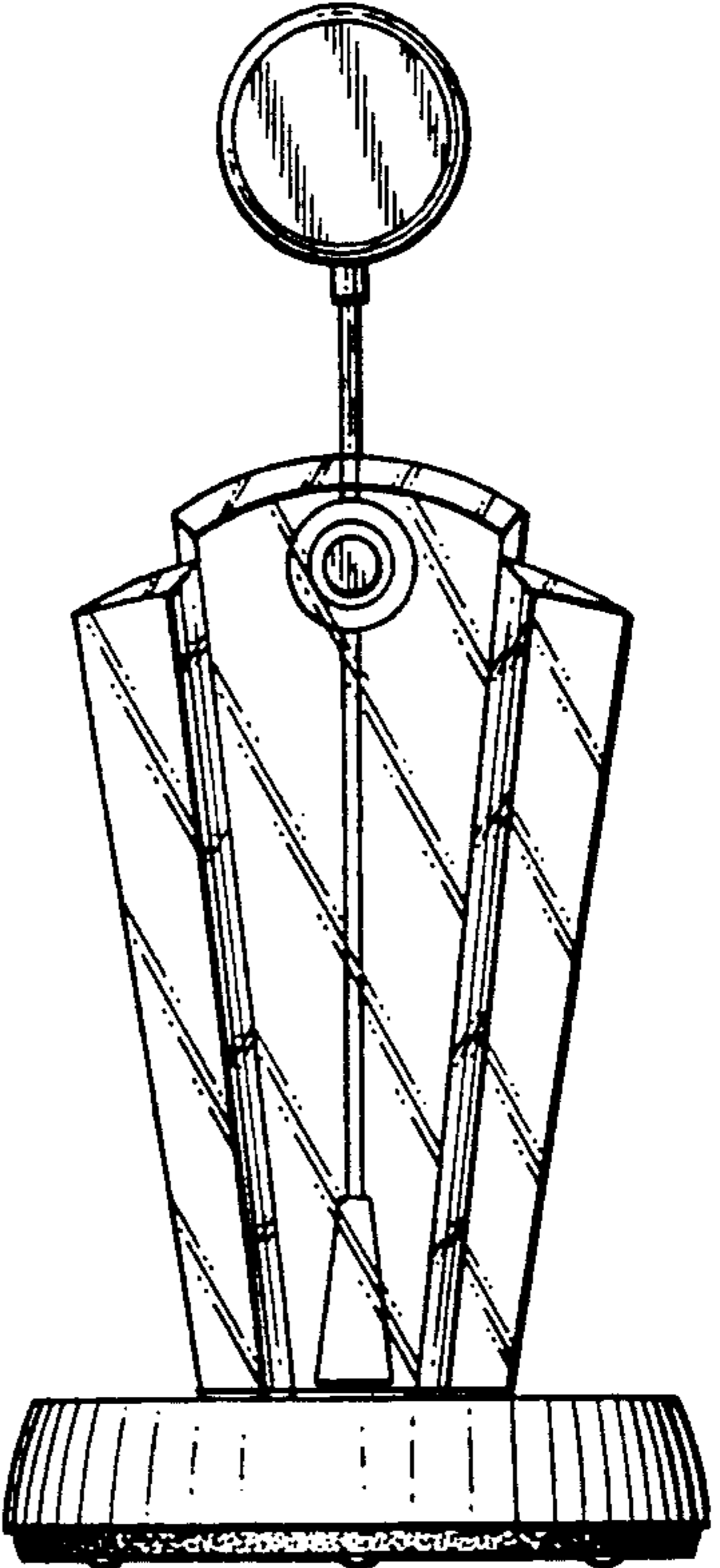


FIG. 2

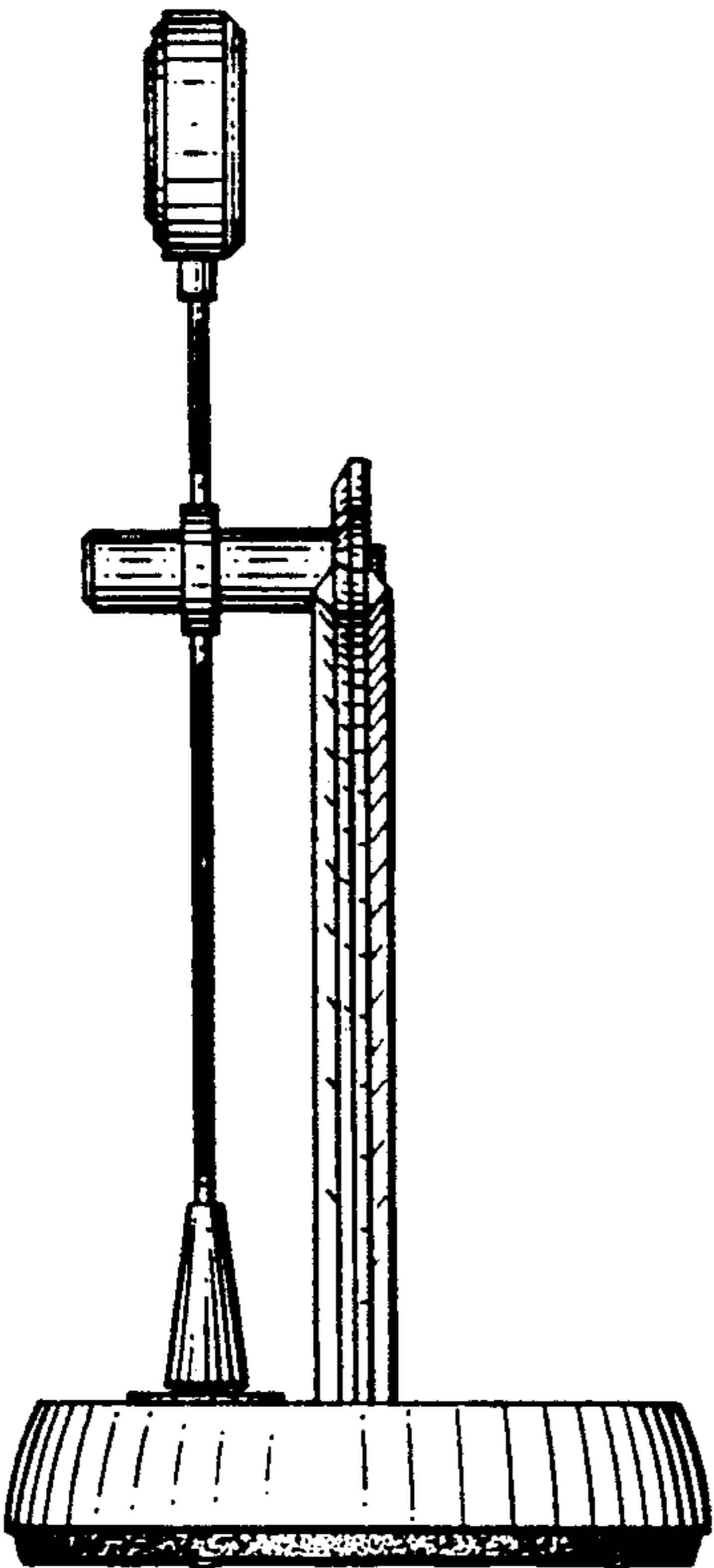


FIG. 3

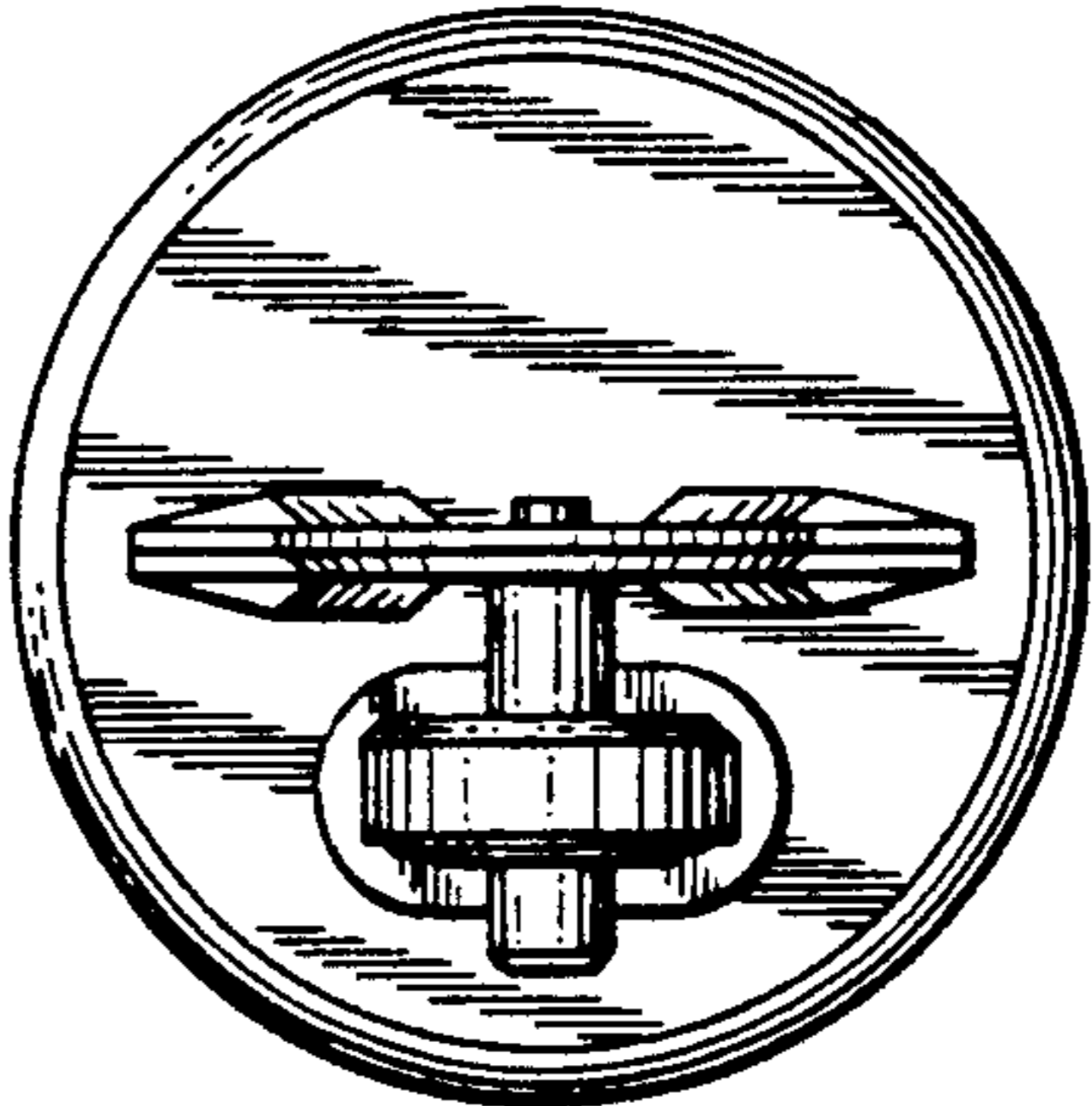


FIG. 4

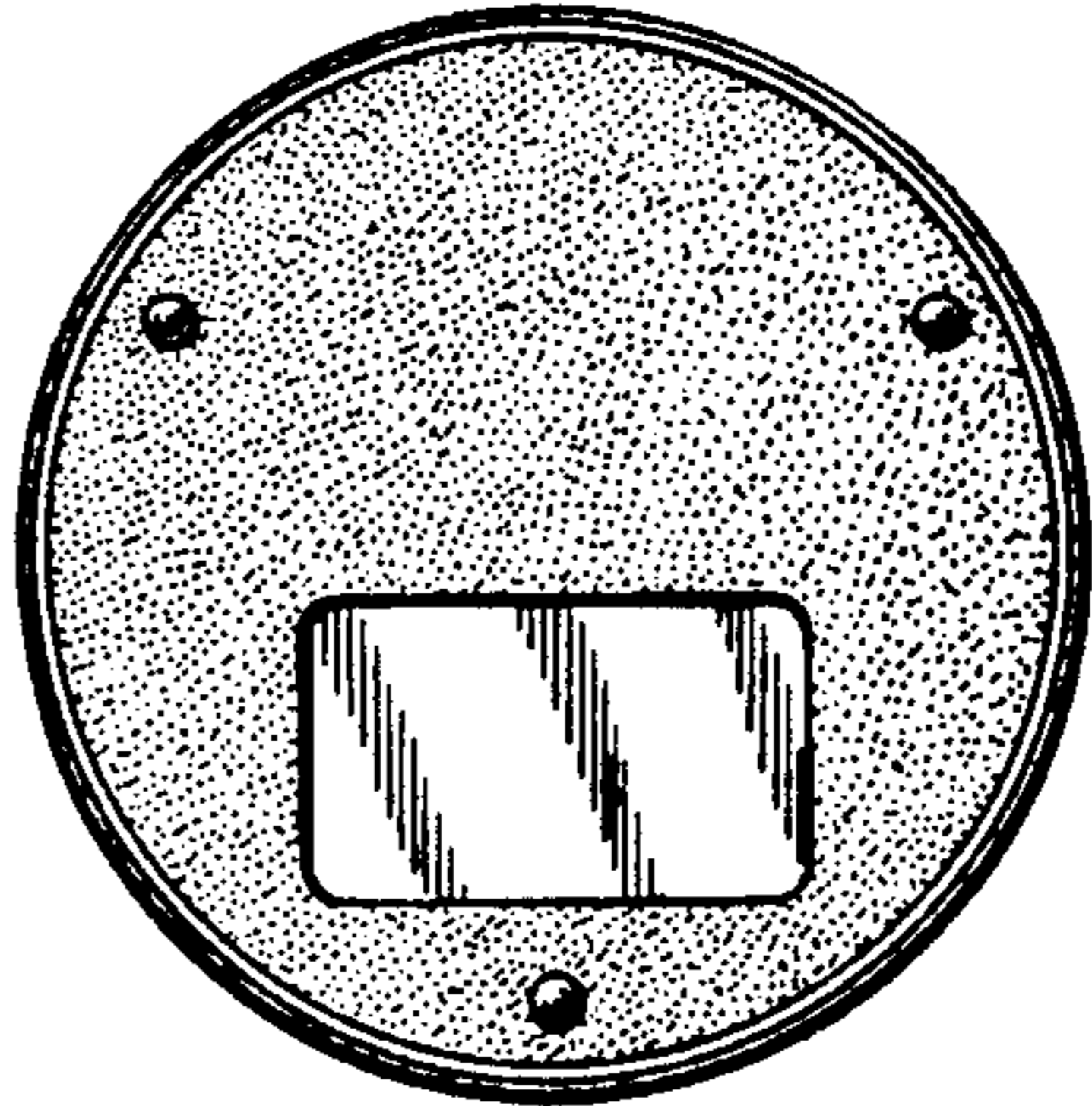


FIG. 5