



US00D324177S

United States Patent [19]

[11] Patent Number: **Des. 324,177**

Tonyan et al.

[45] Date of Patent: **** Feb. 25, 1992**

[54] CLOCK

[75] Inventors: **Janice L. Tonyan**, Des Plaines; **Alex Kowalenko**, Barrington, both of Ill.

[73] Assignee: **Spartus Corporation**, Arlington Heights, Ill.

[**] Term: **14 Years**

[21] Appl. No.: **468,036**

[22] Filed: **Jan. 22, 1990**

[52] U.S. Cl. **D10/18; D10/15**

[58] Field of Search **D10/1-40, D10/122-132; 368/82-84, 239-242, 276-277, 280-282, 285**

[56] References Cited

U.S. PATENT DOCUMENTS

D. 296,328	6/1983	Cheung	D10/15
D. 301,839	6/1989	Houlihan	D10/15
4,390,289	6/1983	Houlihan	368/316 X
4,920,525	4/1990	Meister	368/276 X

OTHER PUBLICATIONS

Merchandising—8/83—p. 20—clocks #3 and 12 at right-center and top, respectively.

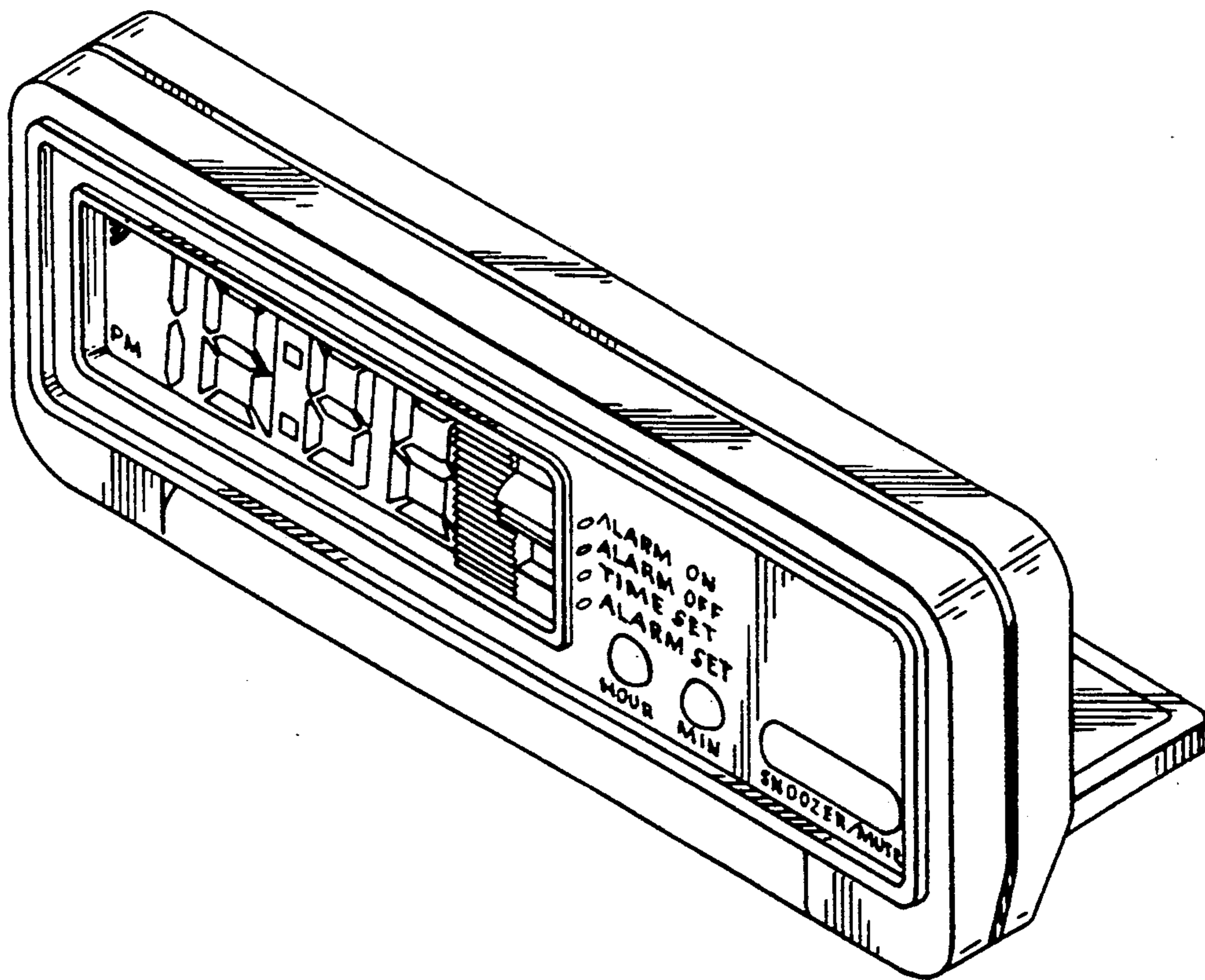
Primary Examiner—Nelson C. Holtje
Attorney, Agent, or Firm—Seidel, Gonda, Lavorgna & Monaco

[57] CLAIM

The ornamental design for a clock, as shown and described.

DESCRIPTION

FIG. 1 is a perspective view of a clock showing our new design, in a closed position;
FIG. 2 is a front elevational view thereof;
FIG. 3 is a rear elevational view thereof;
FIG. 4 is a top plan view thereof;
FIG. 5 is a bottom plan view thereof;
FIG. 6 is a front perspective view of a clock showing our new design, in an open position; and
FIG. 7 is a rear perspective view of the clock showing our new design, in an open position.



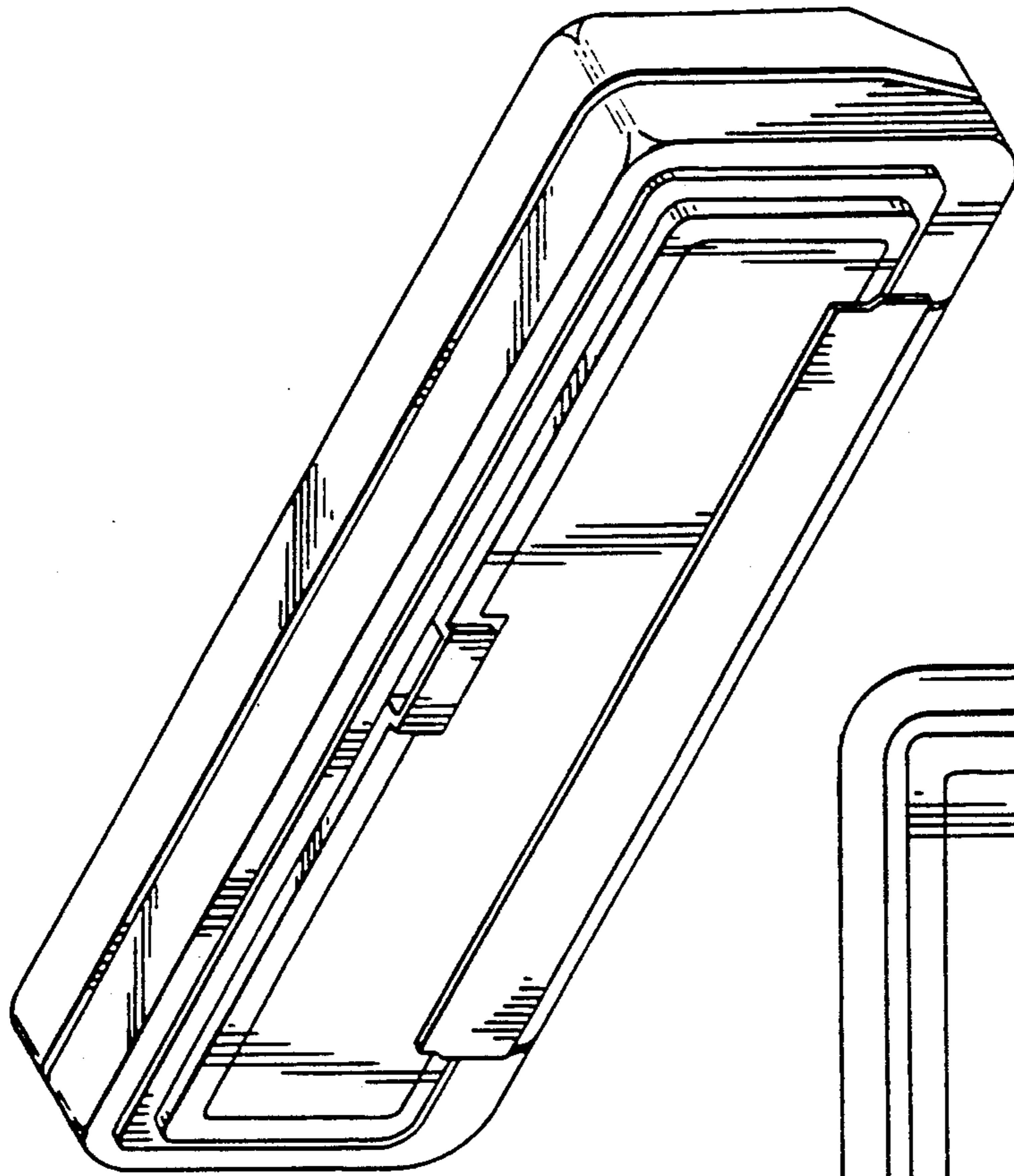


FIG. 1

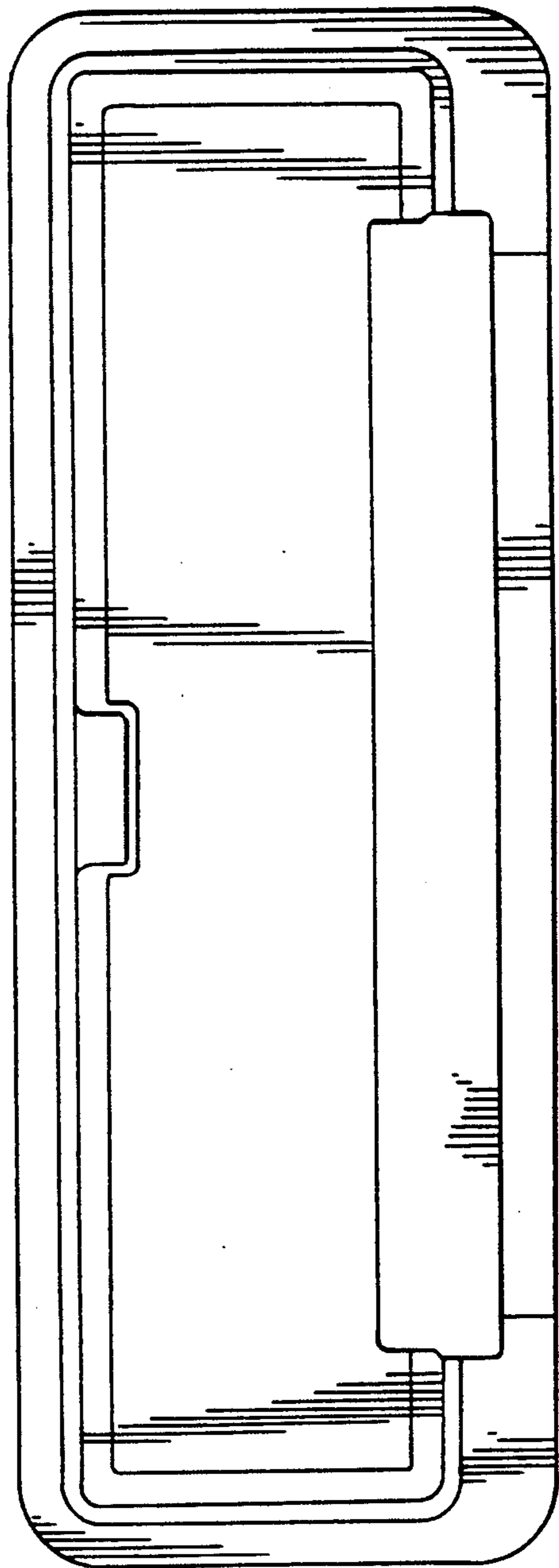


FIG. 2

FIG. 3

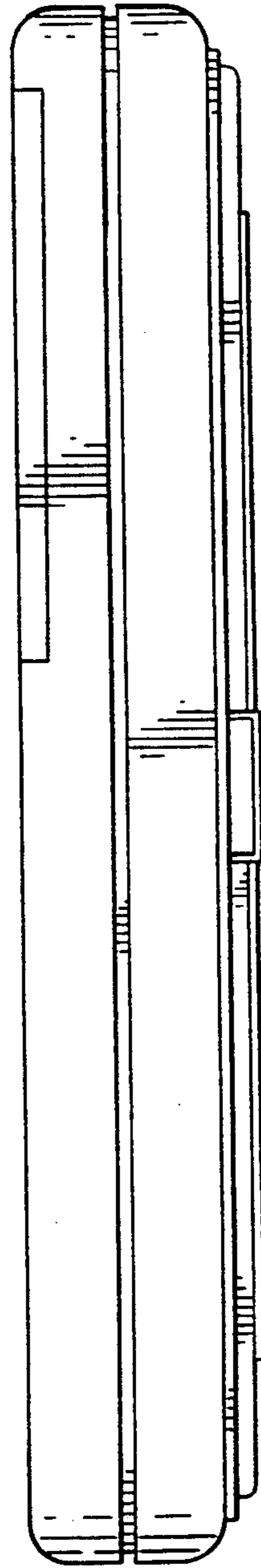
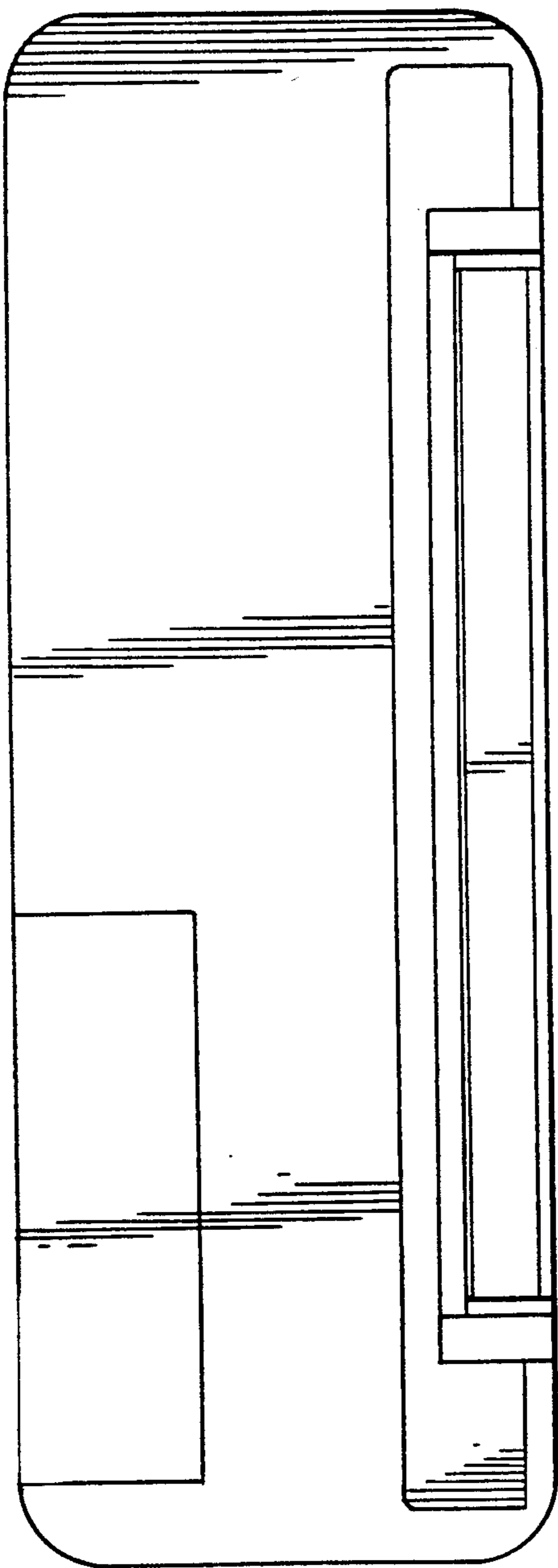
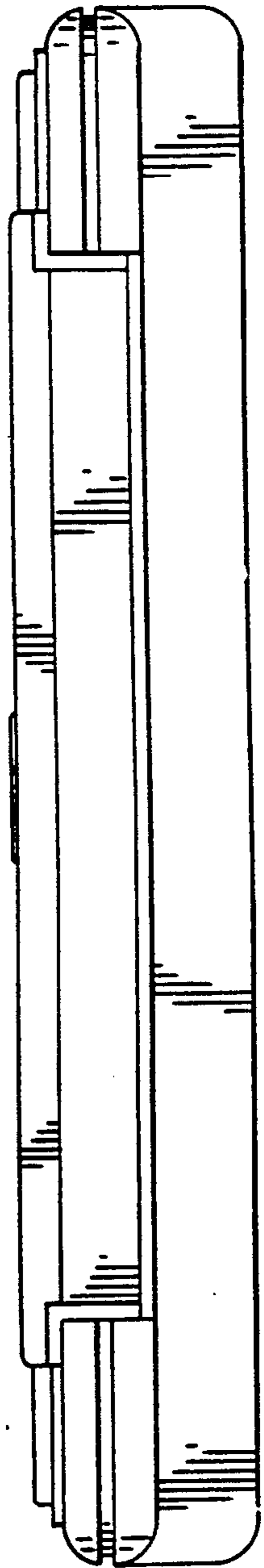


FIG. 4

FIG. 5



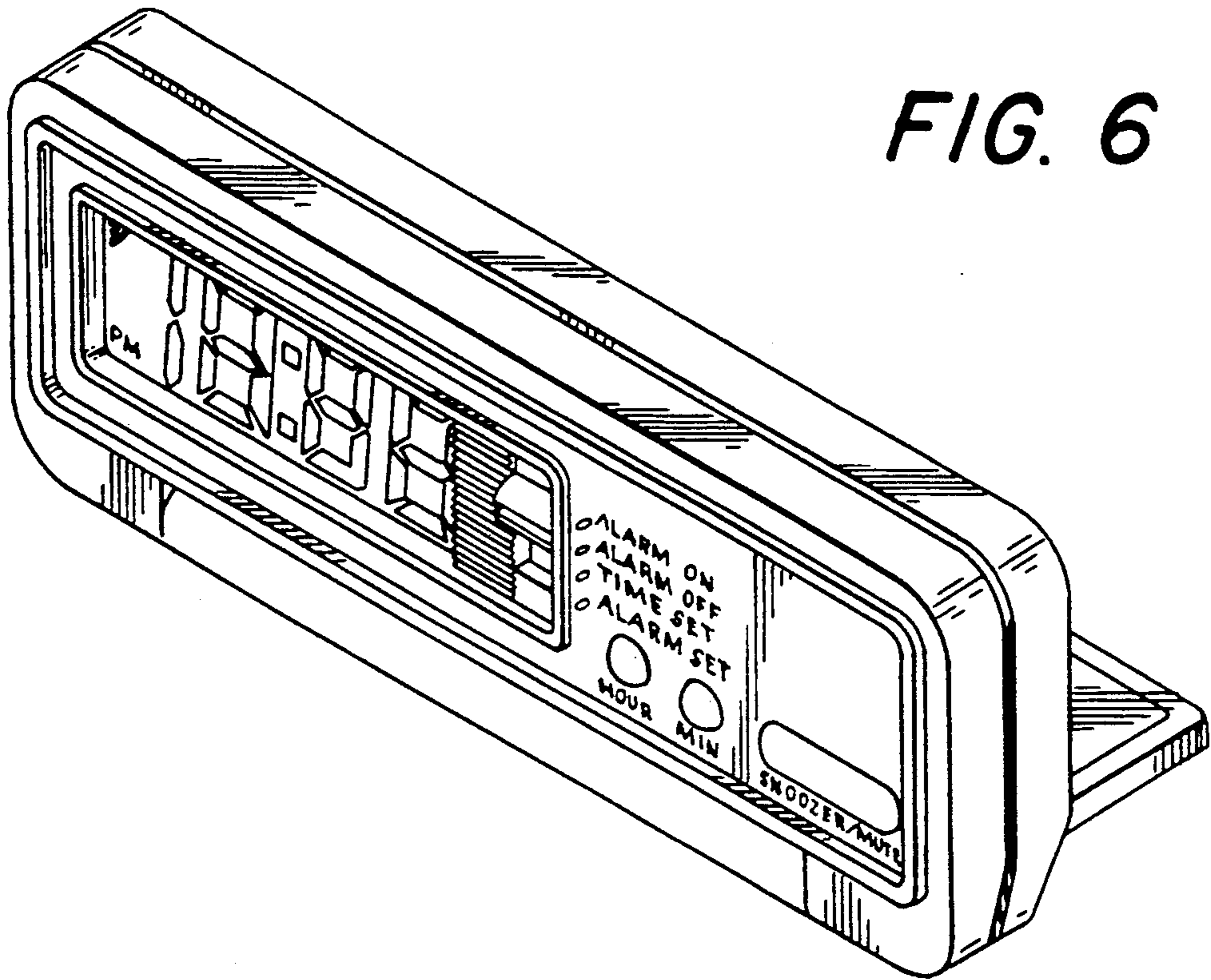


FIG. 6

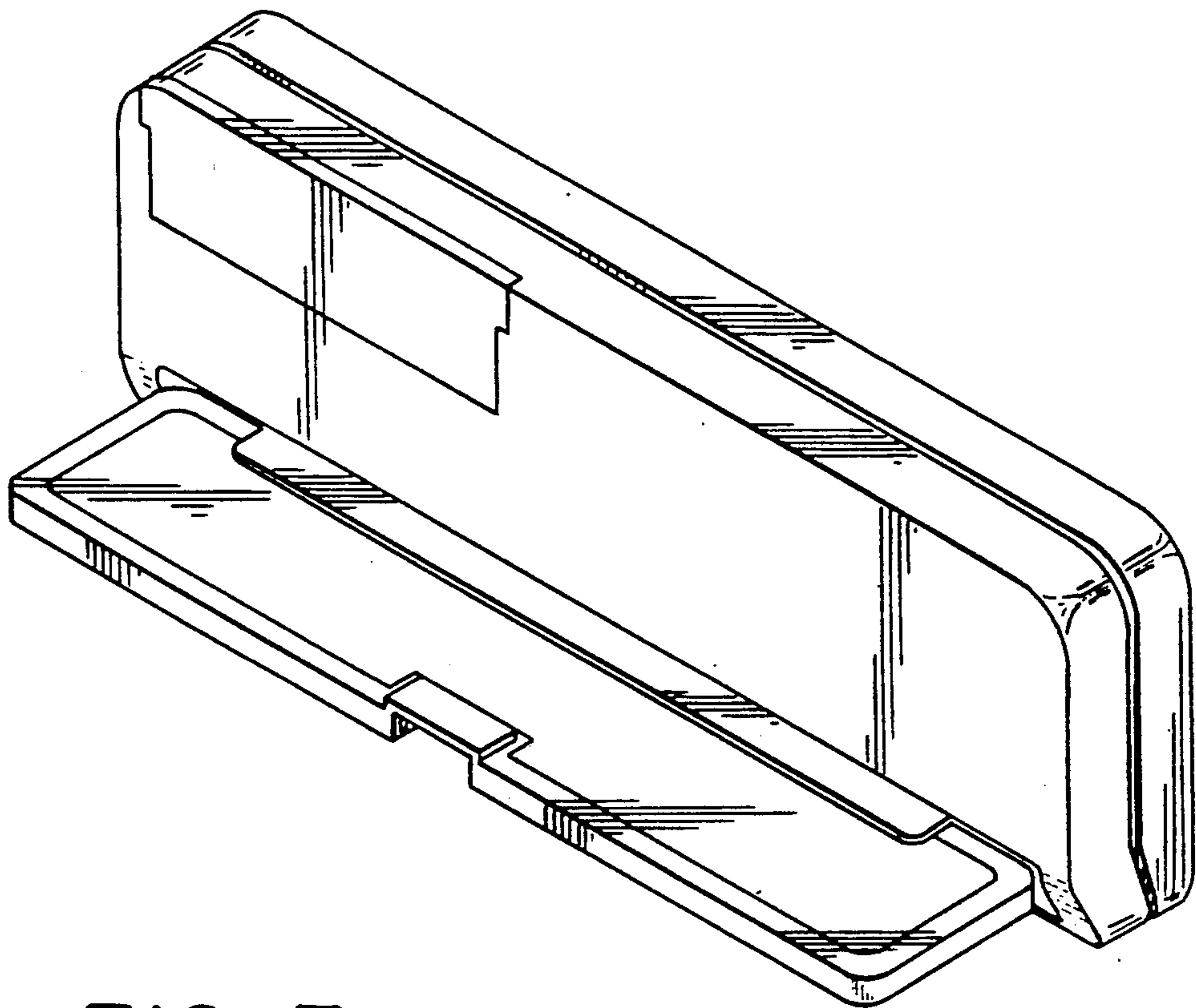


FIG. 7