



US00D324172S

# United States Patent [19]

[11] Patent Number: **Des. 324,172**

**Mederer**

[45] Date of Patent: **\*\* Feb. 25, 1992**

[54] **COMBINED PACKAGE WITH CANDY OR THE LIKE**

[75] Inventor: **Herbert Mederer, Furth, Fed. Rep. of Germany**

[73] Assignee: **Mederer GmbH, Furth, Fed. Rep. of Germany**

[\*\*] Term: **14 Years**

[21] Appl. No.: **334,122**

[22] Filed: **Apr. 5, 1989**

[52] U.S. Cl. .... **D9/337; D9/426; D1/102**

[58] Field of Search ..... **D9/425, 426, 424, 423, D9/337; 229/904.1; 220/4.06, 4.21, 4.22, 4.24, 4.26, 4.27; D1/116-119, 127, 130, 101, 102, 105; 206/458, 216, 541; 426/138, 129, 92, 808; 493/943; D7/625**

[56] **References Cited**

**U.S. PATENT DOCUMENTS**

D. 9,574	10/1876	Collum	.....	D1/127
D. 59,285	10/1921	Richardson	.....	D1/127
D. 154,431	7/1949	Reinecke	.....	D9/426
D. 280,704	9/1985	Dalton	.....	D9/337

D. 295,455	5/1988	Han	.....	D1/130
D. 316,595	9/1990	Sawyer	.....	D1/127 X
3,511,433	5/1970	Andrews et al.	.....	D9/426 X
4,132,344	1/1979	Jewell	.....	220/4.21 X
4,183,446	1/1980	Davis	.....	D9/426 X
4,226,358	10/1980	Ottow	.....	220/4.24
4,847,090	7/1989	Della Posta et al.	.....	D1/130 X

**OTHER PUBLICATIONS**

Simplicity House Home Decorating Crafts, Jul. 1979, p. 1566, item #8643.

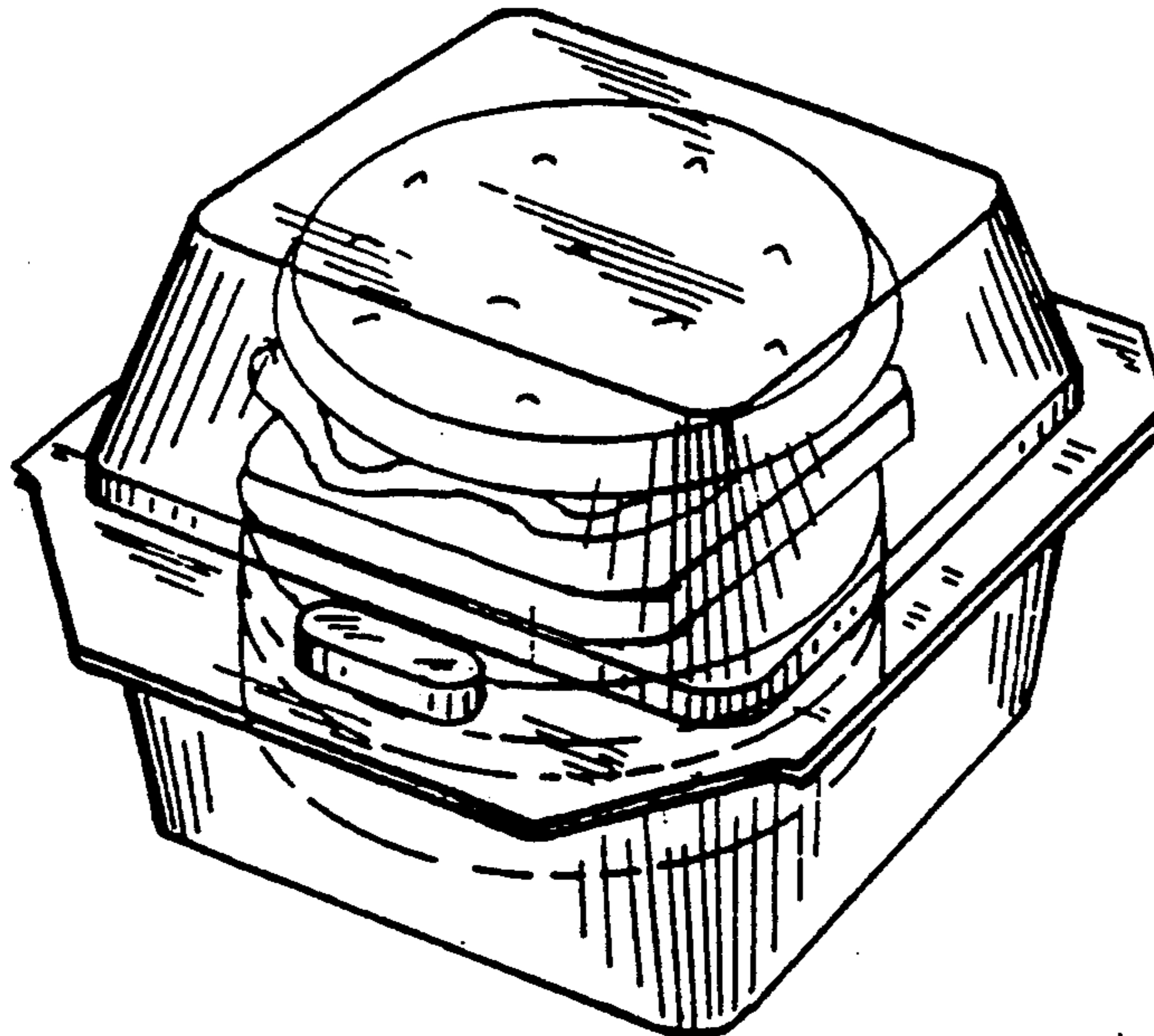
*Primary Examiner*—Bernard Ansher  
*Assistant Examiner*—Prabhakar Deshmukh  
*Attorney, Agent, or Firm*—Browdy and Neimark

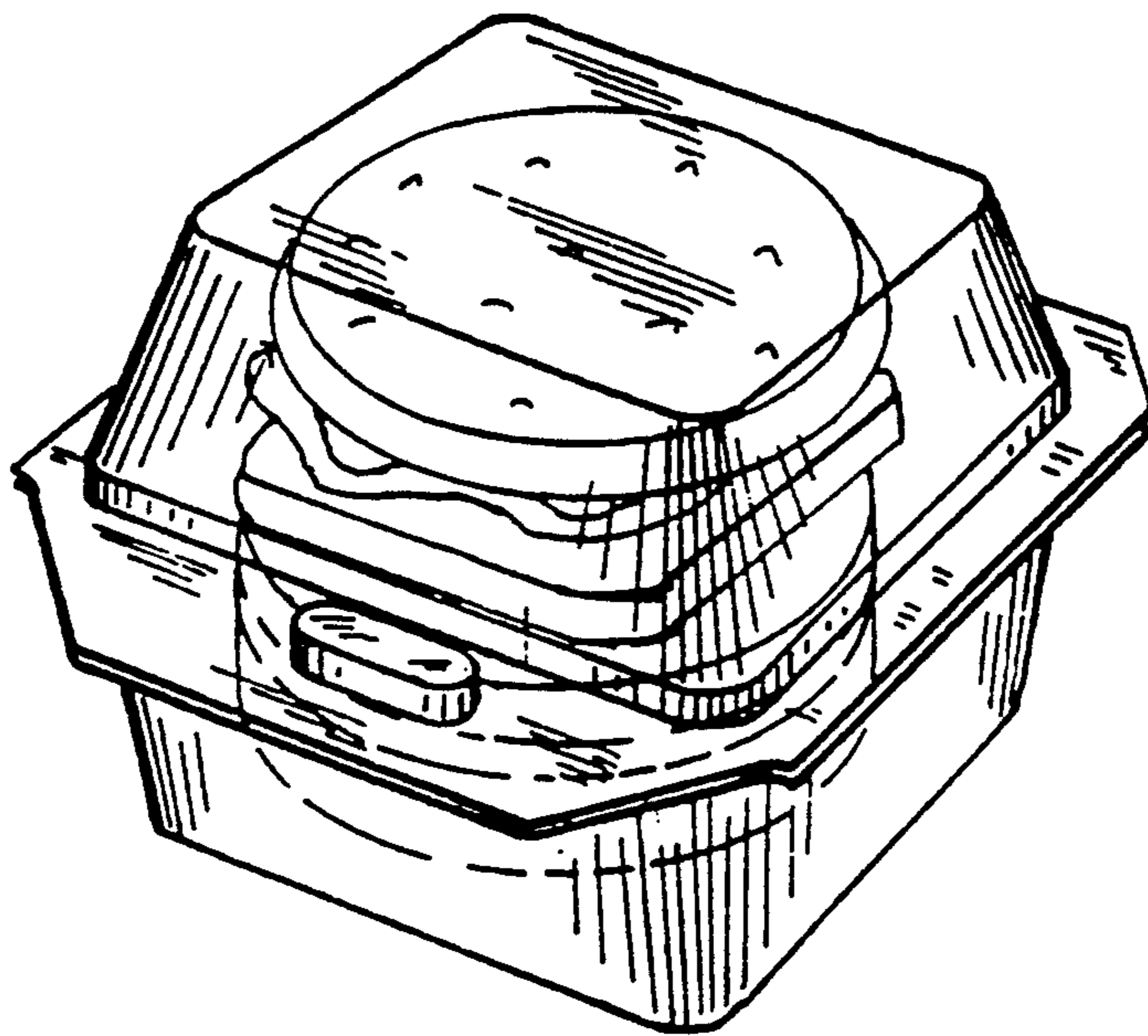
[57] **CLAIM**

The ornamental design for a combined package with candy or the like, as shown and described.

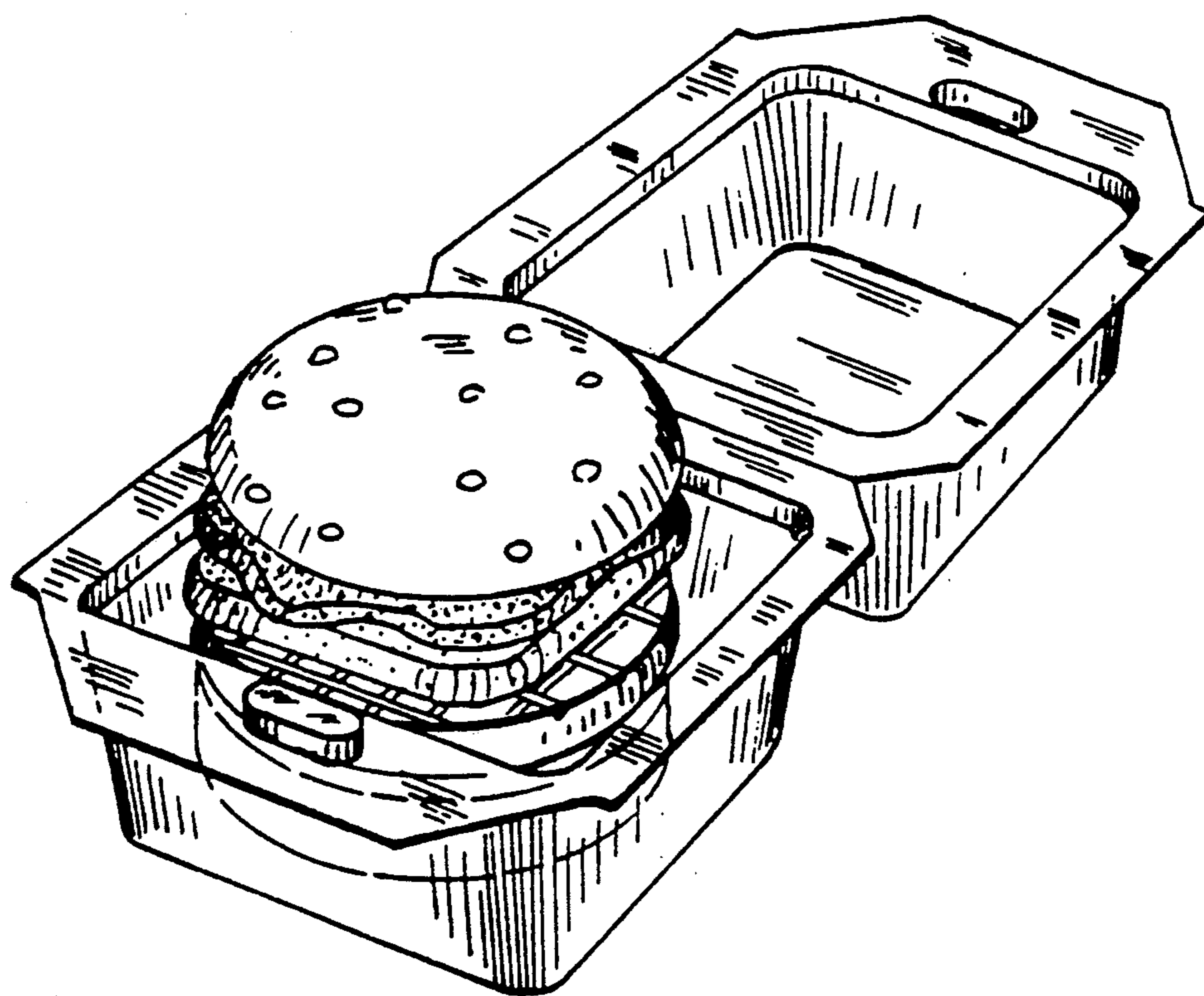
**DESCRIPTION**

FIG. 1 is a perspective view of a combined package with candy or the like showing my new design; FIG. 2 is a perspective view thereof; in open position; FIG. 3 is a perspective view of a candy thereof; shown separately for clarity of illustration; and FIG. 4 is bottom plan view of FIG. 3, the bottom of the package is plain and unornamented.

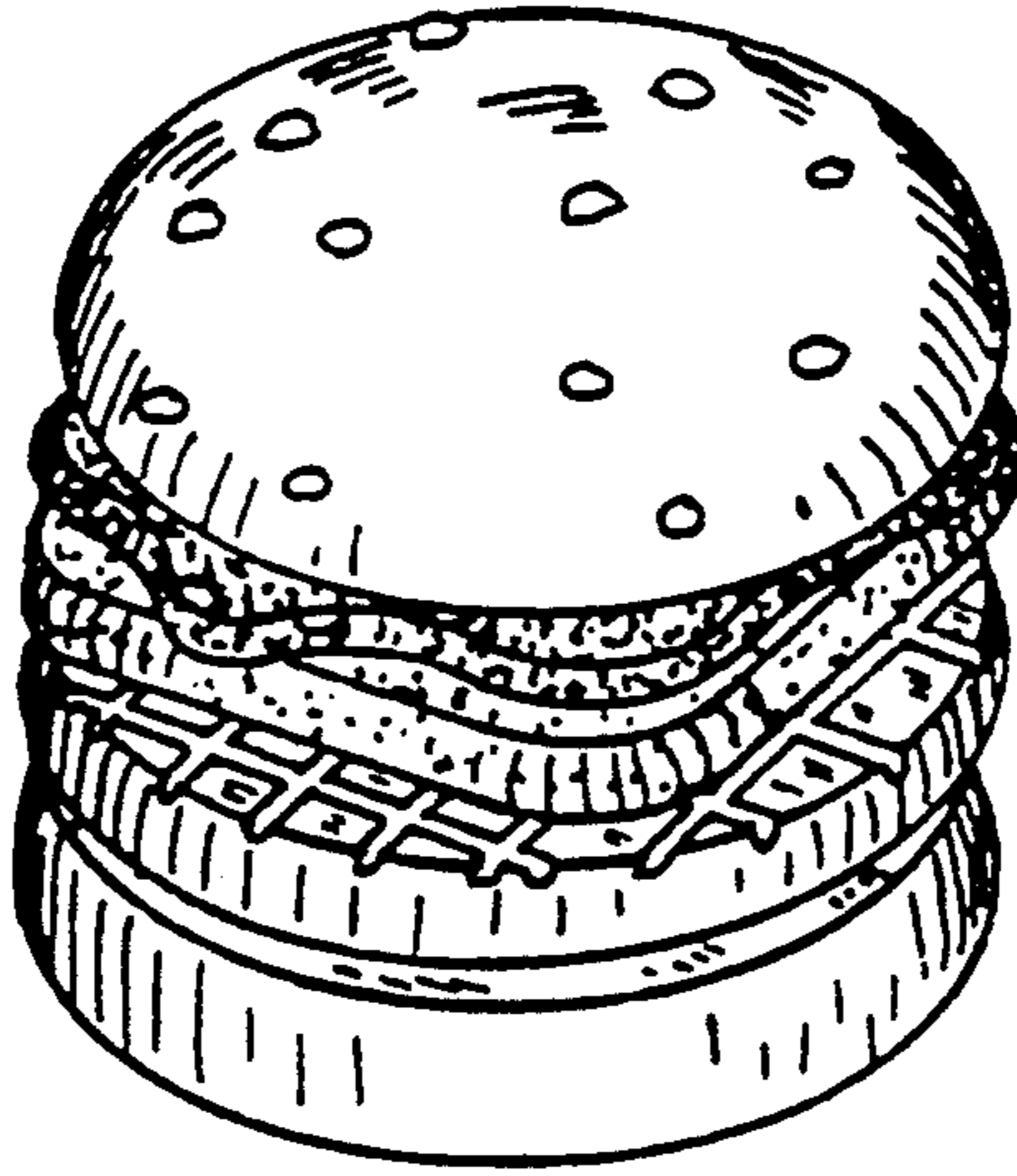




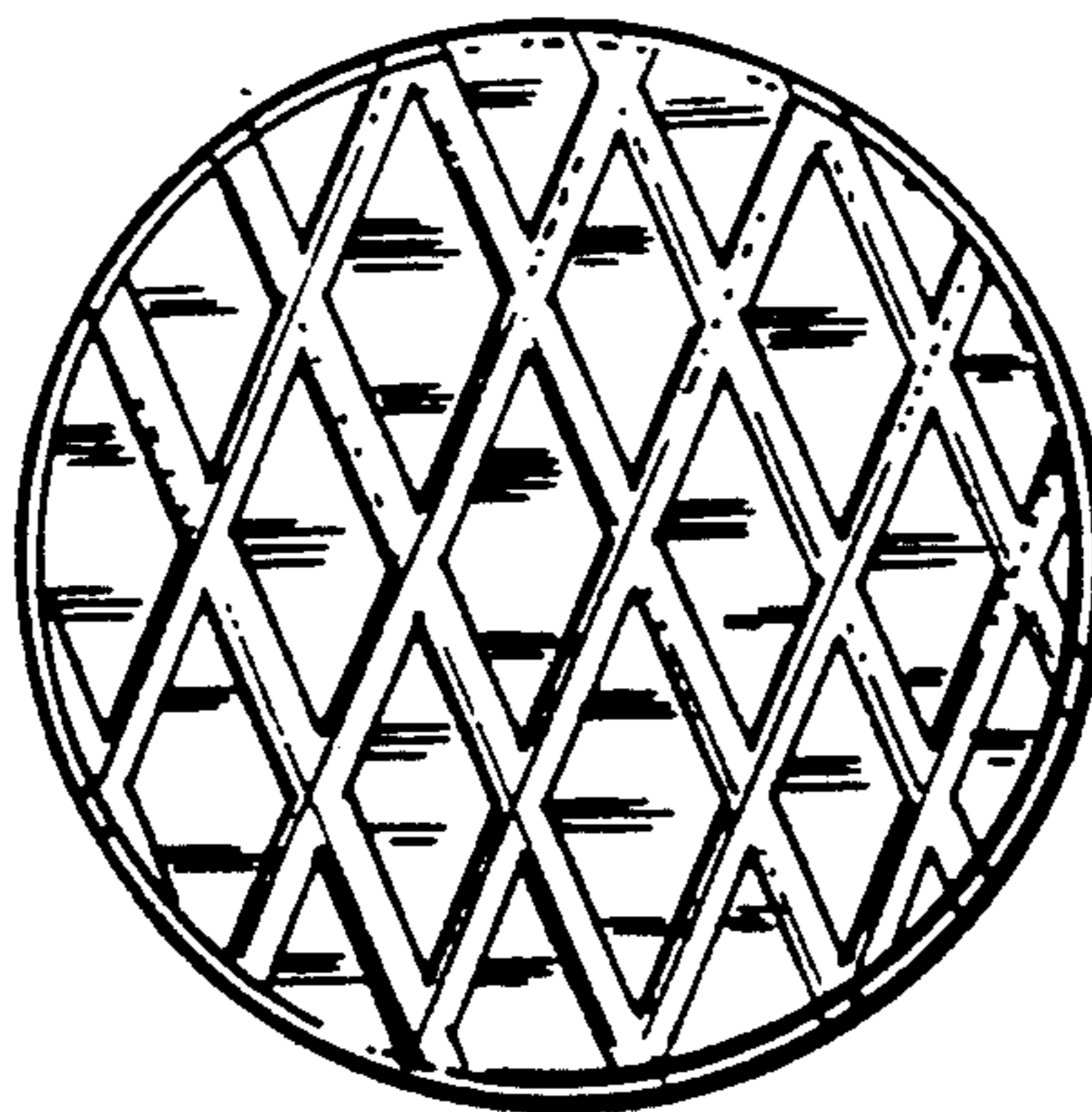
**FIG. 1**



**FIG. 2**



**FIG. 3**



**FIG. 4**