



US00D324168S

United States Patent [19]

[11] Patent Number: **Des. 324,168**

Fujioka

[45] Date of Patent: **** Feb. 25, 1992**

[54] **BOARD SPACER**

4,766,652 8/1988 Sugiura 24/453

[75] Inventor: **Akio Fujioka, Ichikawa, Japan**

FOREIGN PATENT DOCUMENTS

[73] Assignee: **Kitagawa Industries Co., Ltd., Aichi, Japan**

- 1006613 3/1977 Canada .
- 2457228 10/1976 Fed. Rep. of Germany .
- 1163572 9/1969 United Kingdom 24/297
- 1271400 4/1972 United Kingdom .
- 1517823 7/1978 United Kingdom .
- 2125100 2/1984 United Kingdom .
- 2125878 3/1984 United Kingdom .
- 2138488 10/1984 United Kingdom .
- 2142377 1/1985 United Kingdom .
- 2143577 2/1985 United Kingdom .

[**] Term: **14 Years**

[21] Appl. No.: **407,132**

[22] Filed: **Sep. 14, 1989**

Related U.S. Application Data

[62] Division of Ser. No. 160,317, Feb. 25, 1988, abandoned.

Primary Examiner—Wallace R. Burke
Assistant Examiner—H. Baynham
Attorney, Agent, or Firm—Oliff & Berridge

[30] Foreign Application Priority Data

Jul. 3, 1987 [JP] Japan 62-102901

[52] U.S. Cl. **D8/354; D8/385**

[58] Field of Search **D8/354, 385; 248/73, 248/71, 74.2, 74.3; 24/289, 297, 453, 16 PB; 403/408.1; 211/123, 105.1**

[57] CLAIM

The ornamental design for a board spacer, as shown and described.

DESCRIPTION

FIG. 1 is a front elevational view of a board spacer showing my new design with the broken lines showing two panels and a circular element being for illustrative purposes only and forming no part of the claimed design;

FIG. 2 is a front elevational view thereof;

FIG. 3 is a right side elevational view thereof;

FIG. 4 is a left side elevational view thereof;

FIG. 5 is a top plan view thereof;

FIG. 6 is a bottom plan view thereof;

FIG. 7 is a sectional view thereof taken along line VII—VII of FIG. 3;

FIG. 8 is a sectional view thereof taken along line VIII—VIII of FIG. 3;

FIG. 9 is a sectional view thereof taken along line IX—IX of FIG. 2;

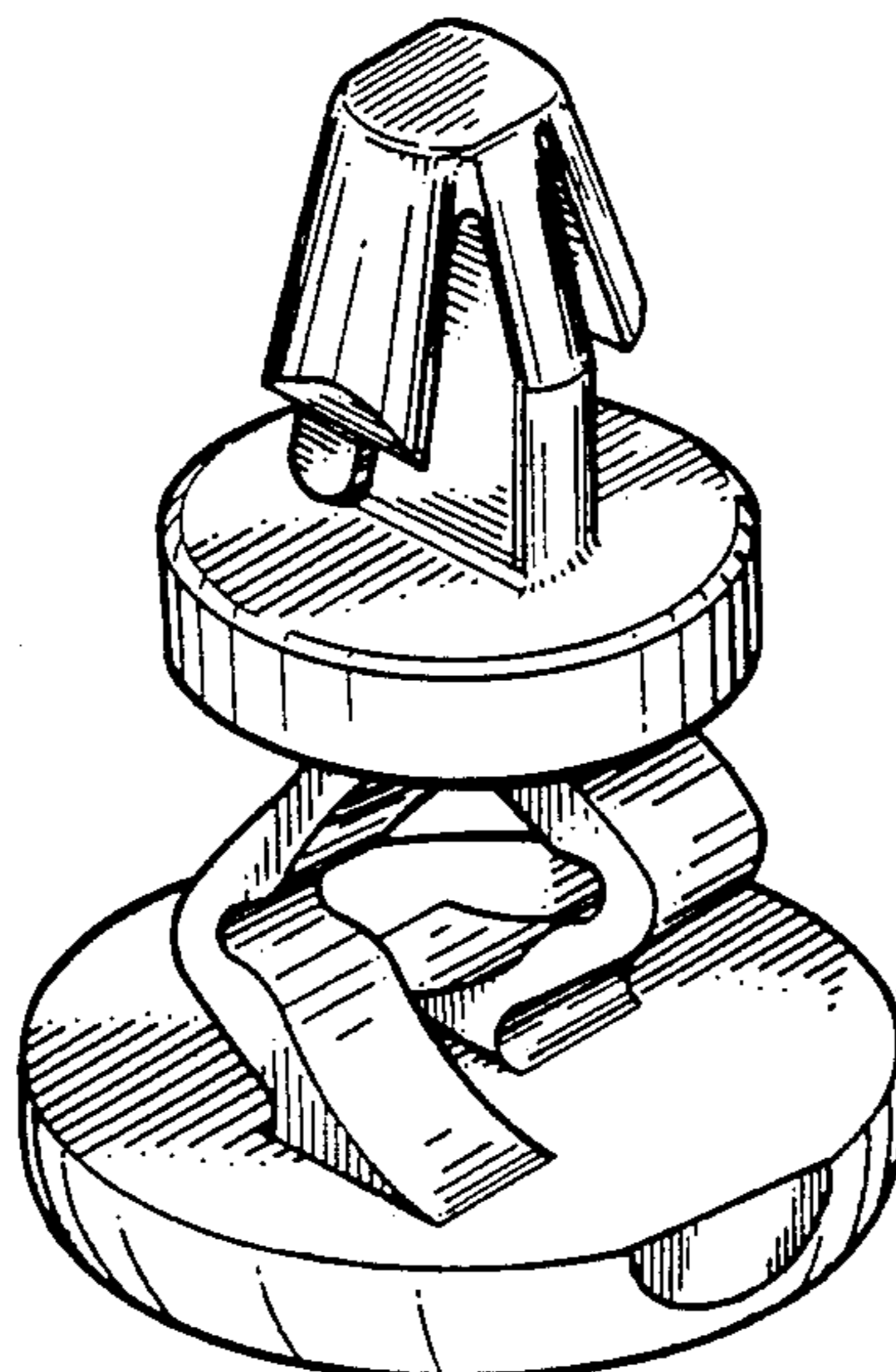
FIG. 10 is a sectional view taken along line X—X of FIG. 2; and

FIG. 11 is a perspective view from the top and one side.

[56] References Cited

U.S. PATENT DOCUMENTS

- D. 292,872 11/1987 Takahashi D8/354
- D. 293,880 1/1988 Takahashi 24/453 X
- D. 299,004 12/1988 Fujimoto D8/354 X
- 3,494,244 2/1970 Wayland 24/453 X
- 3,651,545 3/1972 Hara 24/453 X
- 3,764,729 10/1973 Kowalewski .
- 4,430,776 2/1984 Shimizu et al. .
- 4,457,482 7/1984 Kitagawa .
- 4,470,178 9/1984 Matsui .
- 4,505,611 3/1985 Nagashima et al. .
- 4,629,356 12/1986 Hayashi 248/73 X
- 4,644,614 2/1987 Mizusawa 24/453
- 4,669,688 6/1987 Itoh et al. .
- 4,674,910 6/1987 Hayashi 403/408.1
- 4,681,288 7/1987 Nakamura .
- 4,700,913 10/1987 Hirano et al. .



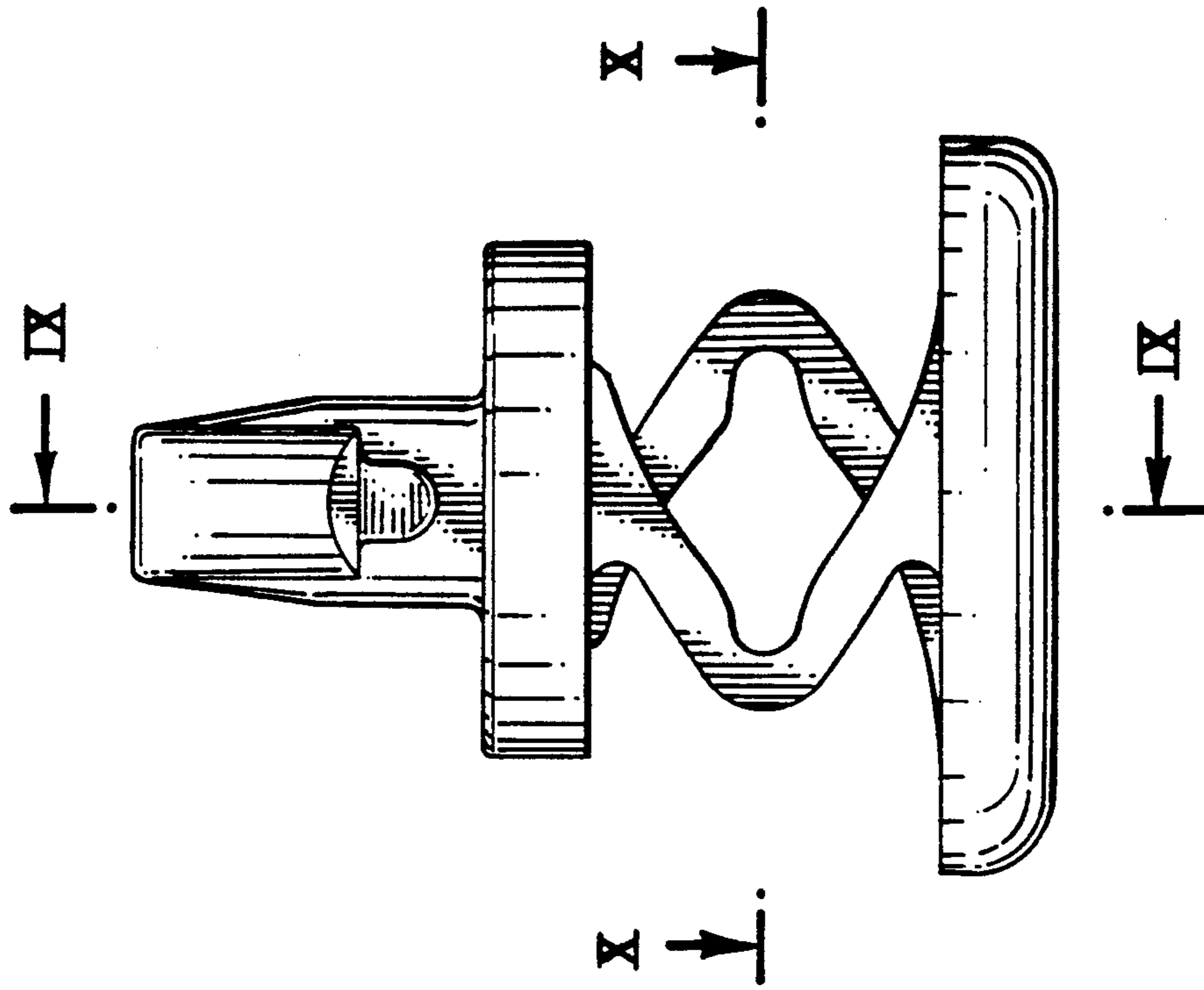


FIG. 2

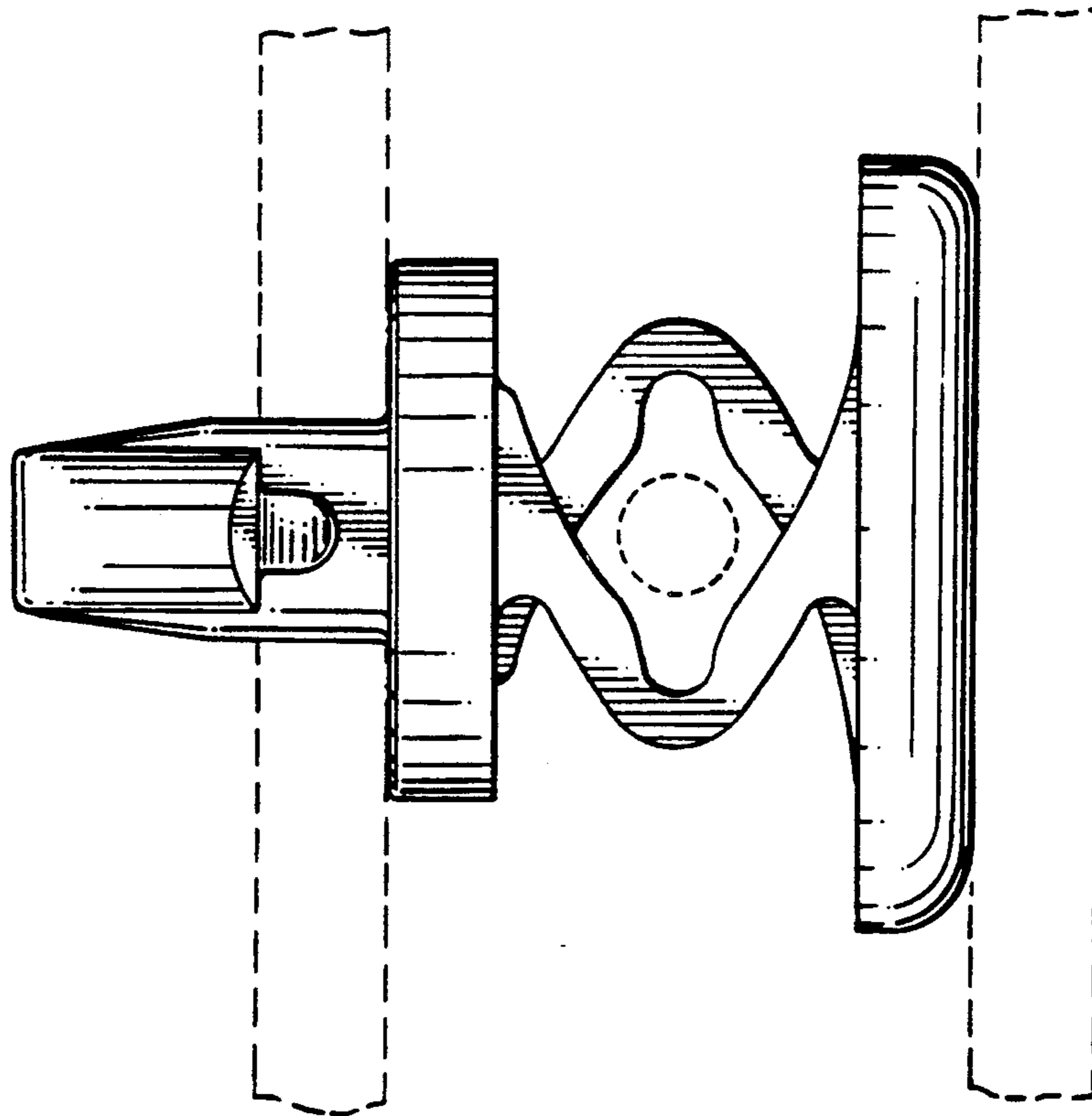


FIG. 1

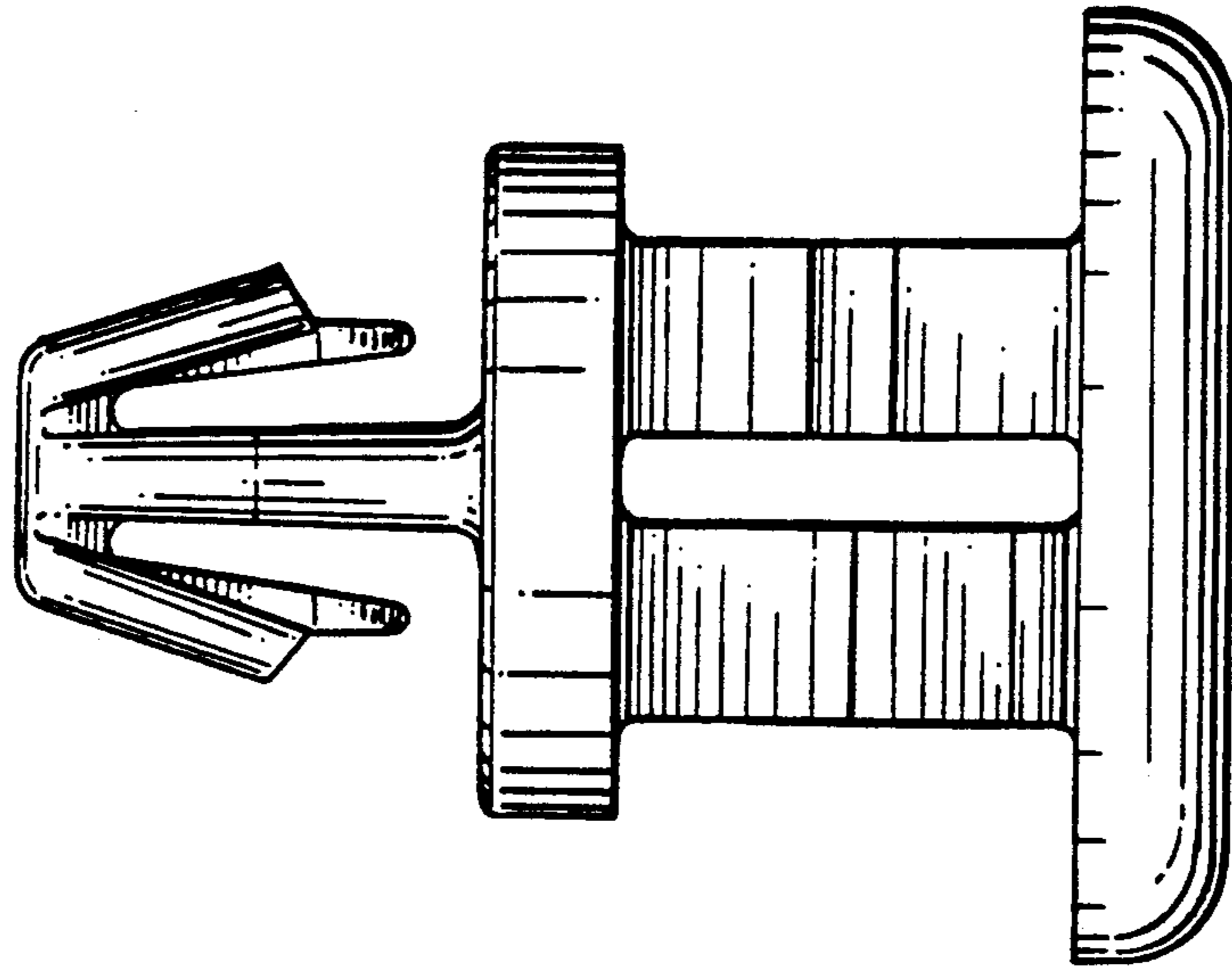


FIG. 4

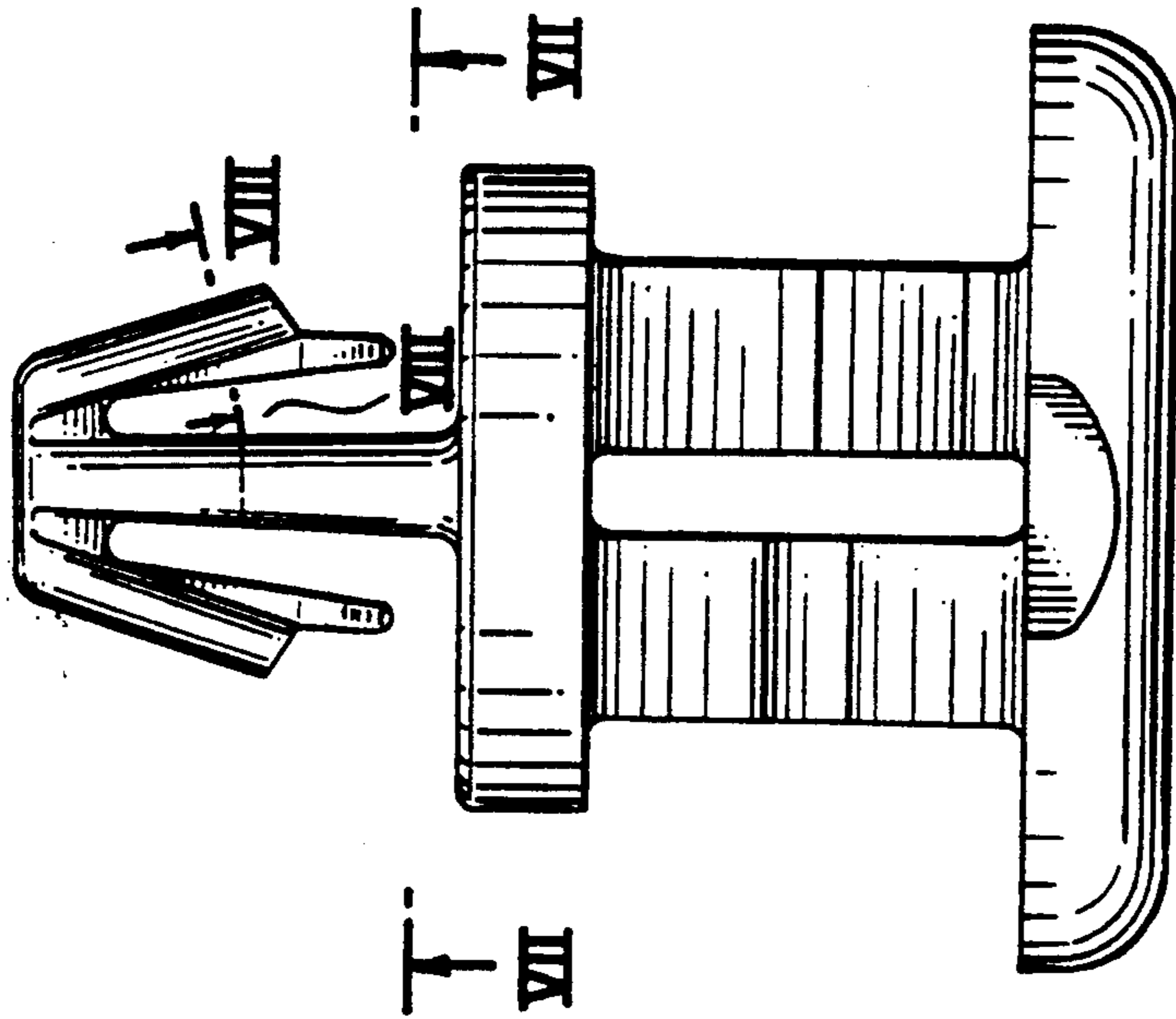


FIG. 3

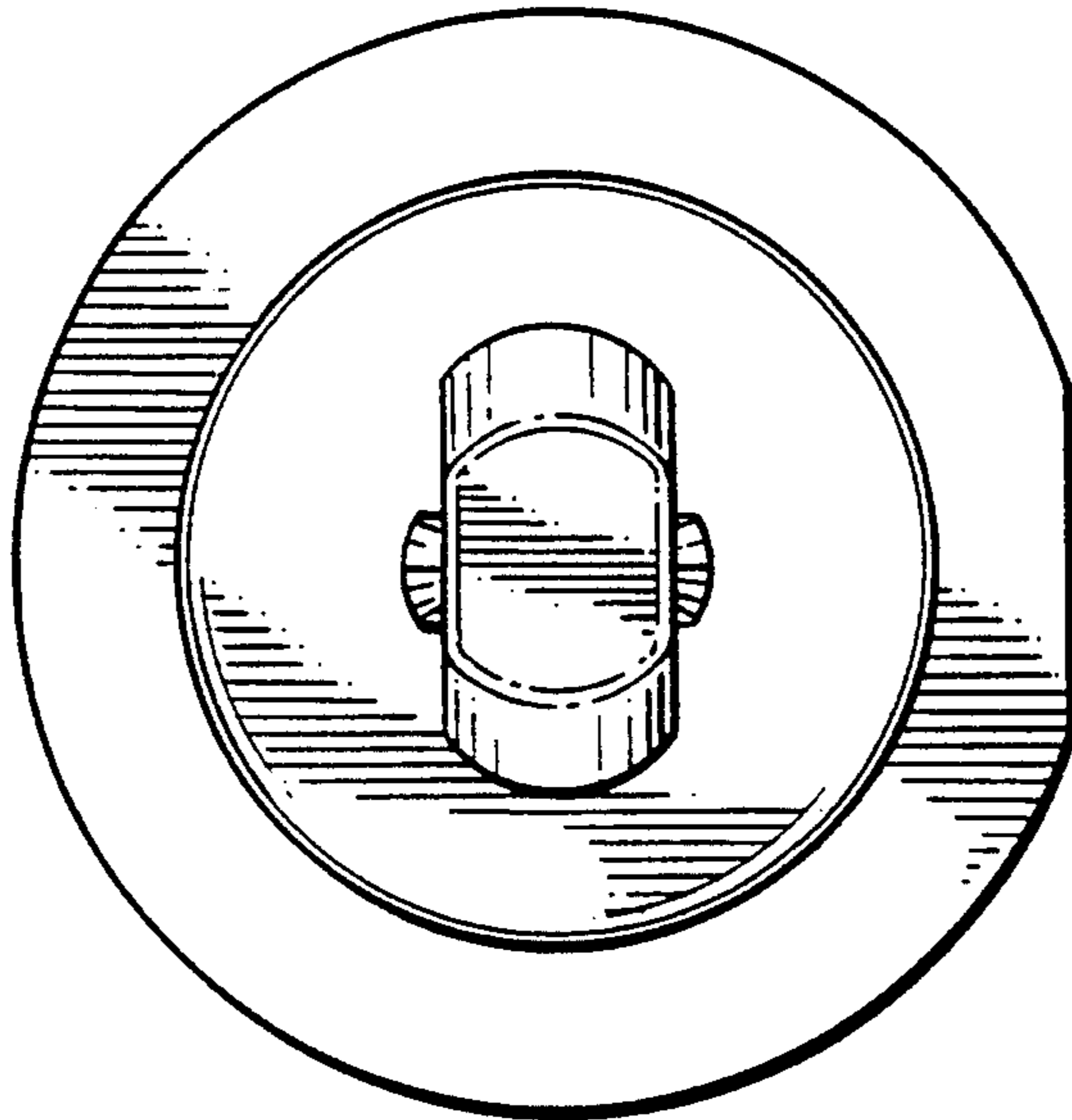


FIG. 5

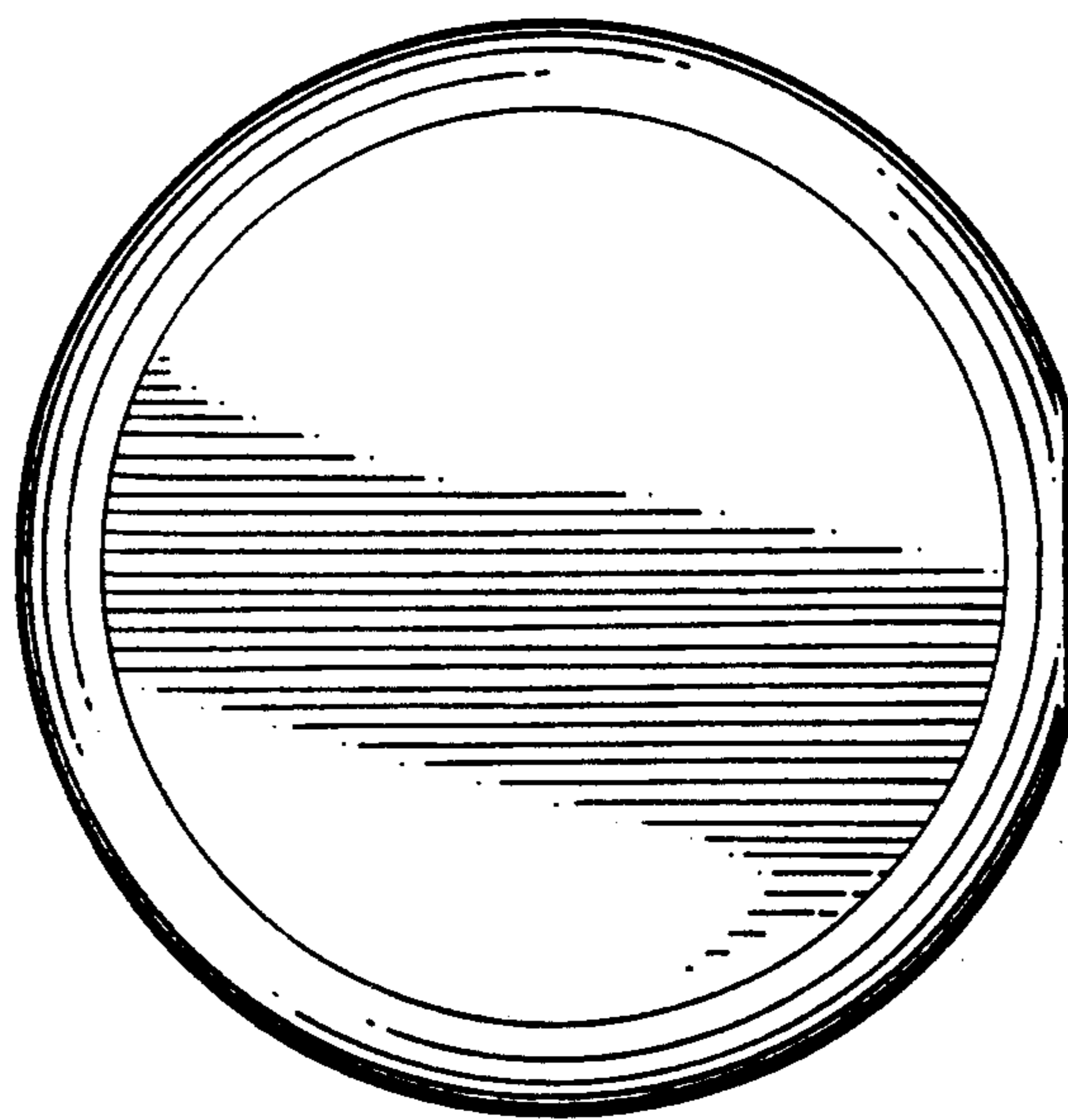


FIG. 6

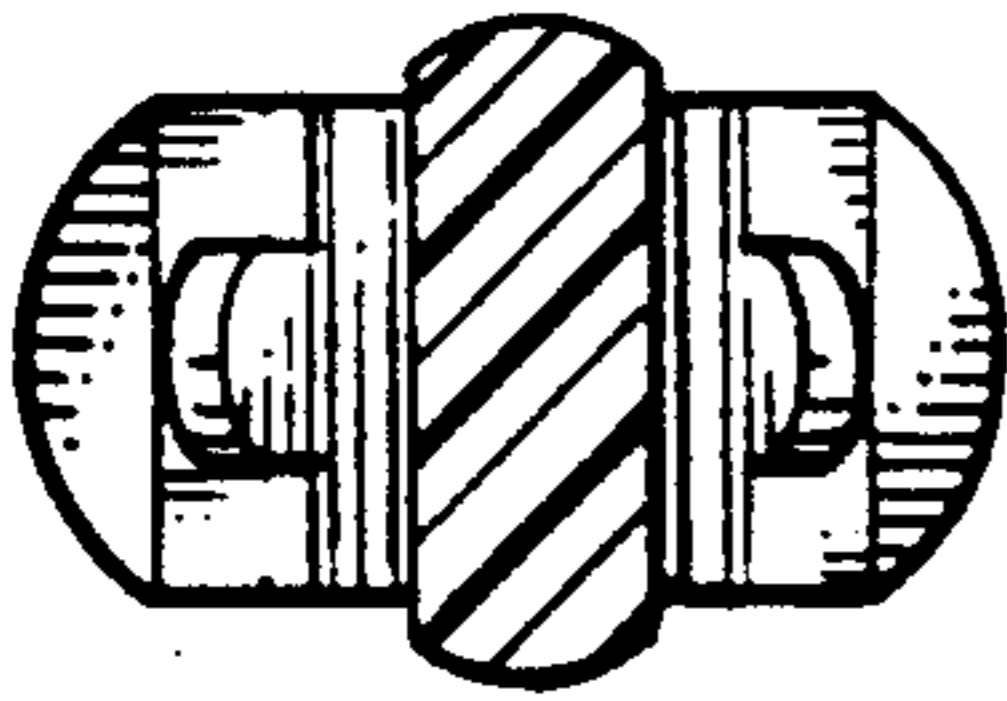


FIG. 7



FIG. 8

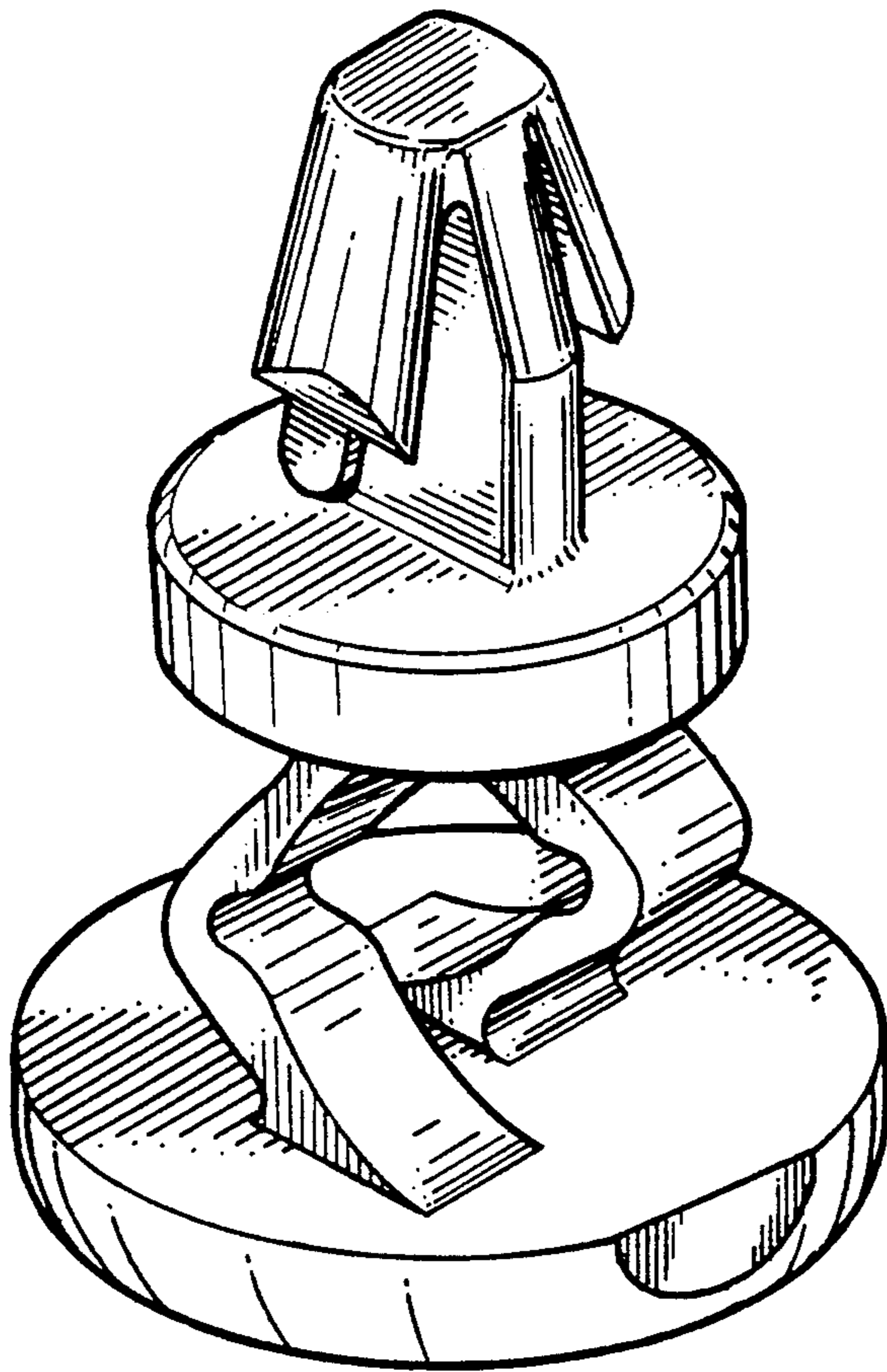


FIG. 11

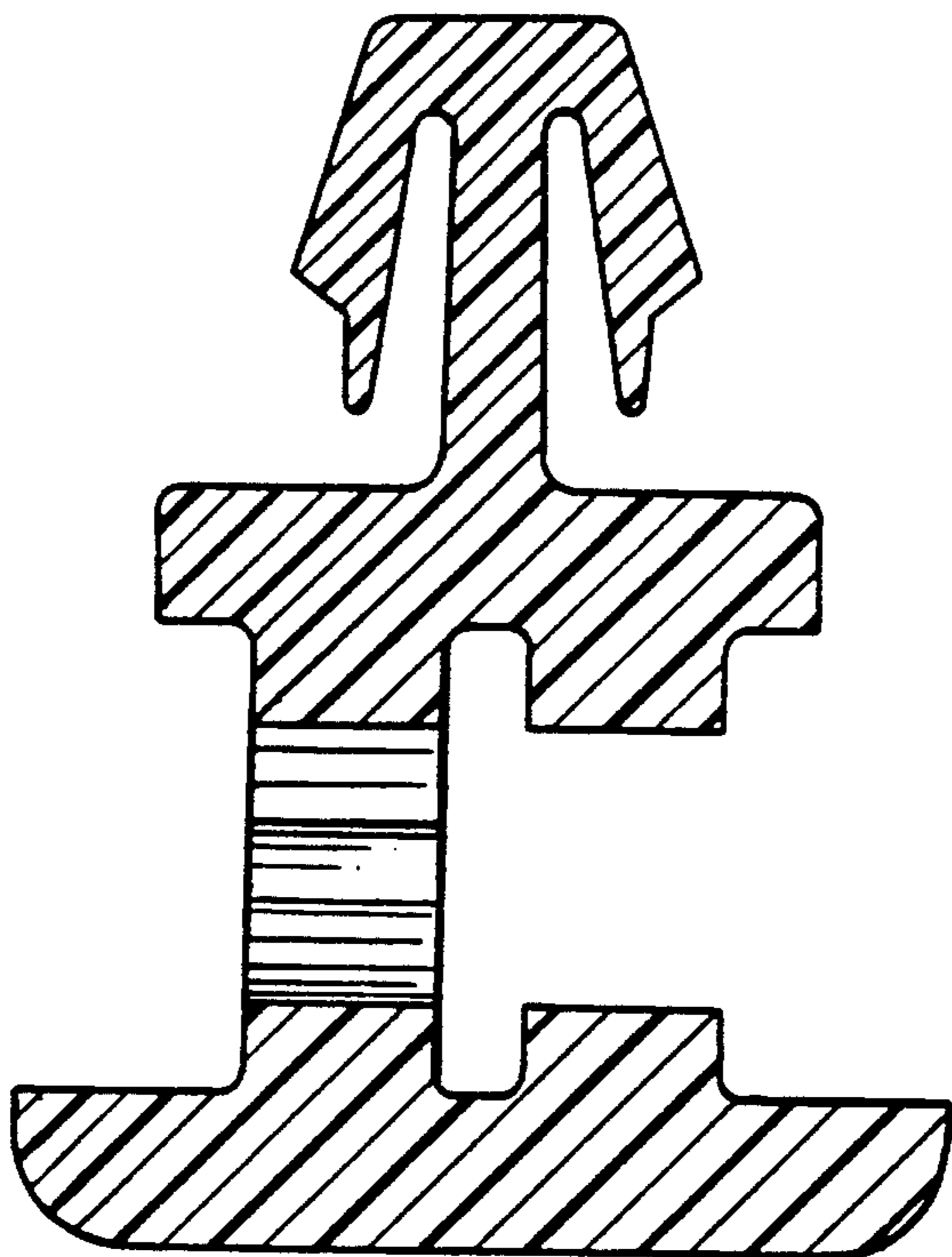


FIG. 9

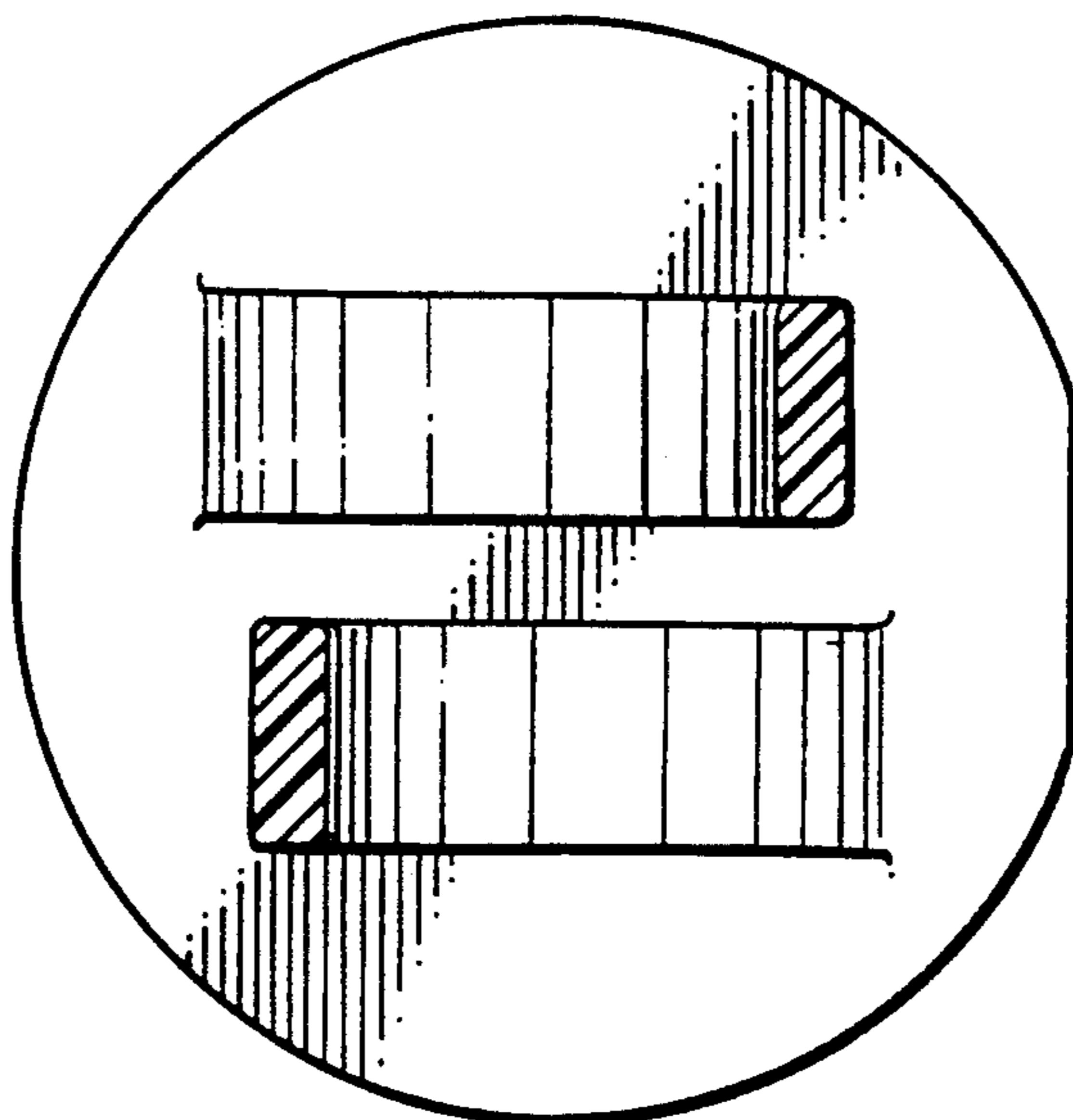


FIG. 10