



US00D324167S

United States Patent [19]

[11] Patent Number: **Des. 324,167**

Greco

[45] Date of Patent: **** Feb. 25, 1992**

[54] LATCH FOR ROLLING GATES

4,345,448 8/1982 Solomon 70/95

[76] Inventor: **Vincent Greco, 65 Rockledge Dr., Pelham Manor, N.Y. 10803**

Primary Examiner—Brian N. Vinson
Attorney, Agent, or Firm—Goodman & Teitelbaum

[**] Term: **14 Years**

[57] CLAIM

[21] Appl. No.: **513,152**

The ornamental design for a latch for rolling gates, as shown and described.

[22] Filed: **Apr. 19, 1990**

DESCRIPTION

[52] U.S. Cl. **D8/331; D8/339**

[58] Field of Search **D8/330-346; 292/213, 216, 195, DIG. 12, DIG. 29, DIG. 55, 189; 70/95-99, 55-56, 77, 91**

FIG. 1 is a top, front, and left side perspective view of a latch for rolling gates showing my new design; FIG. 2 is a bottom, rear, and right side perspective view thereof;

[56] References Cited

U.S. PATENT DOCUMENTS

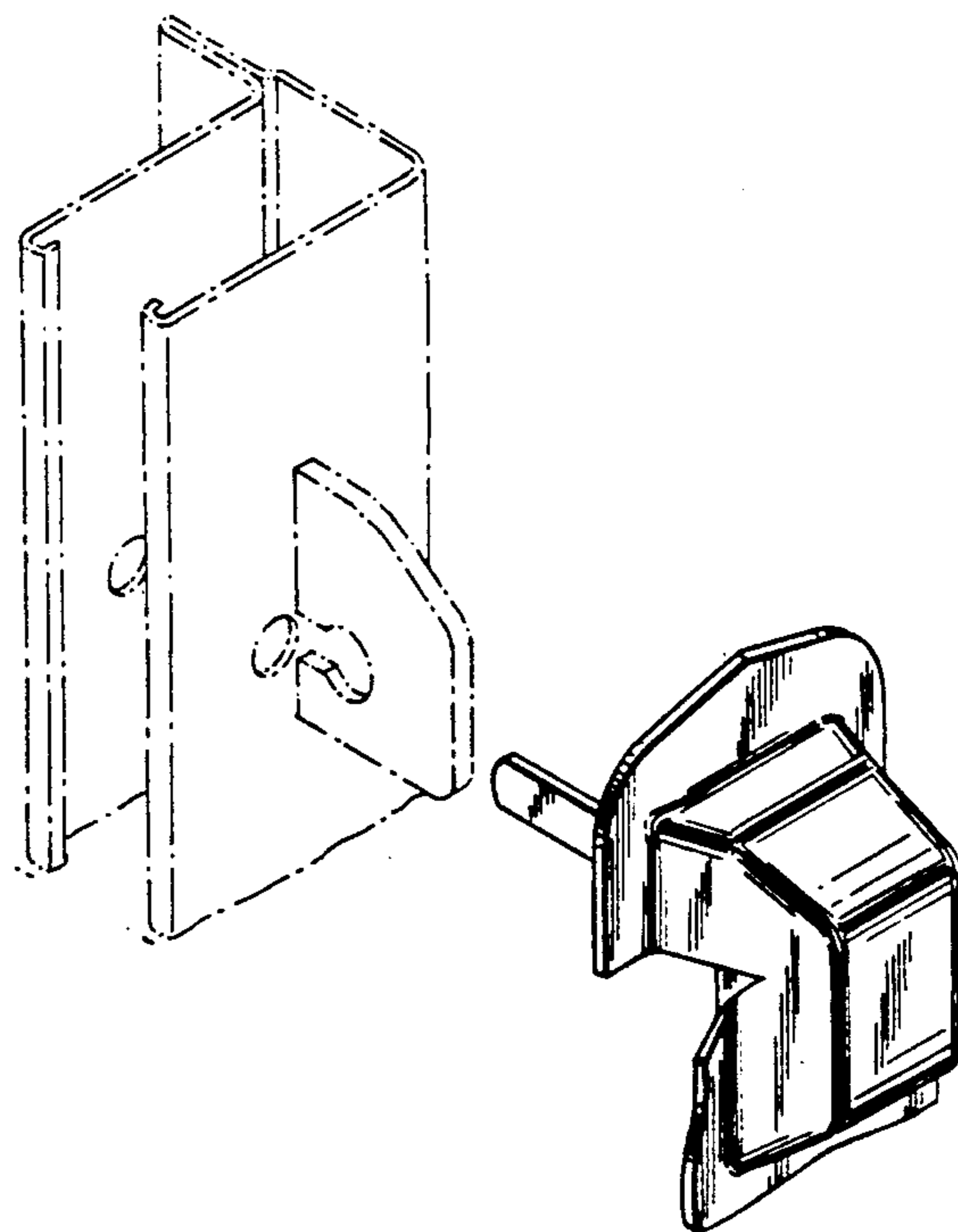
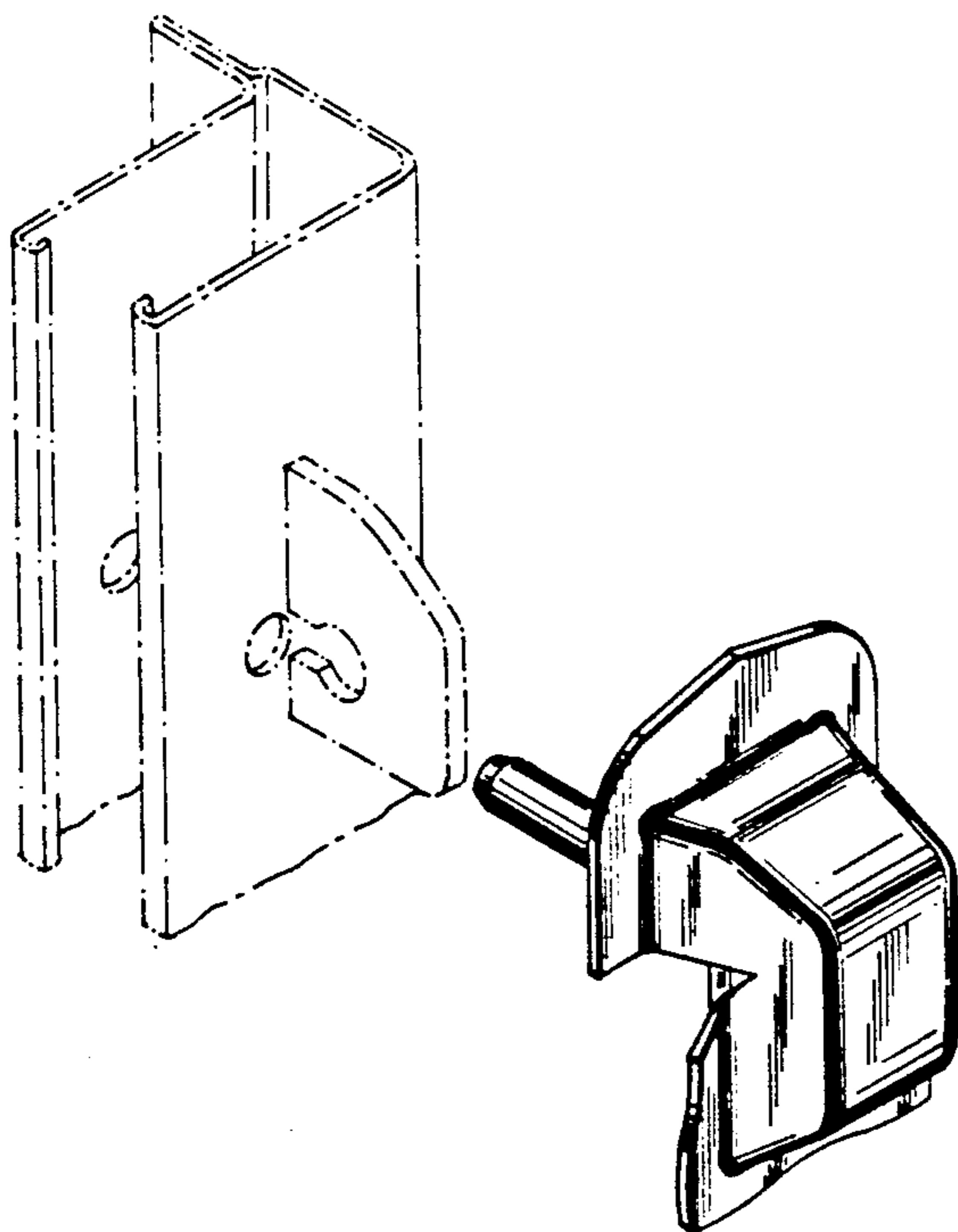
D. 240,011	5/1976	Greco	D8/331
D. 272,041	1/1984	Harris et al.	D8/330
D. 281,947	12/1985	Greco	D8/331
D. 283,672	5/1986	Greco	D8/331
D. 292,369	10/1987	Greco	D8/331
D. 317,247	6/1991	Wells	D8/336
4,314,719	2/1982	Hawkins	292/189 X

FIG. 3 is a rear elevational view thereof; FIG. 4 is a top, front, and left side perspective view of an alternate embodiment thereof;

FIG. 5 is a bottom, rear, and right side perspective view of the embodiment of FIG. 4; and

FIG. 6 is a rear elevational view of the embodiment of FIG. 4.

The broken-line disclosure of a fragment of a rolling gate assembly in the views is for illustrative purposes only and forms no part of the claimed design.



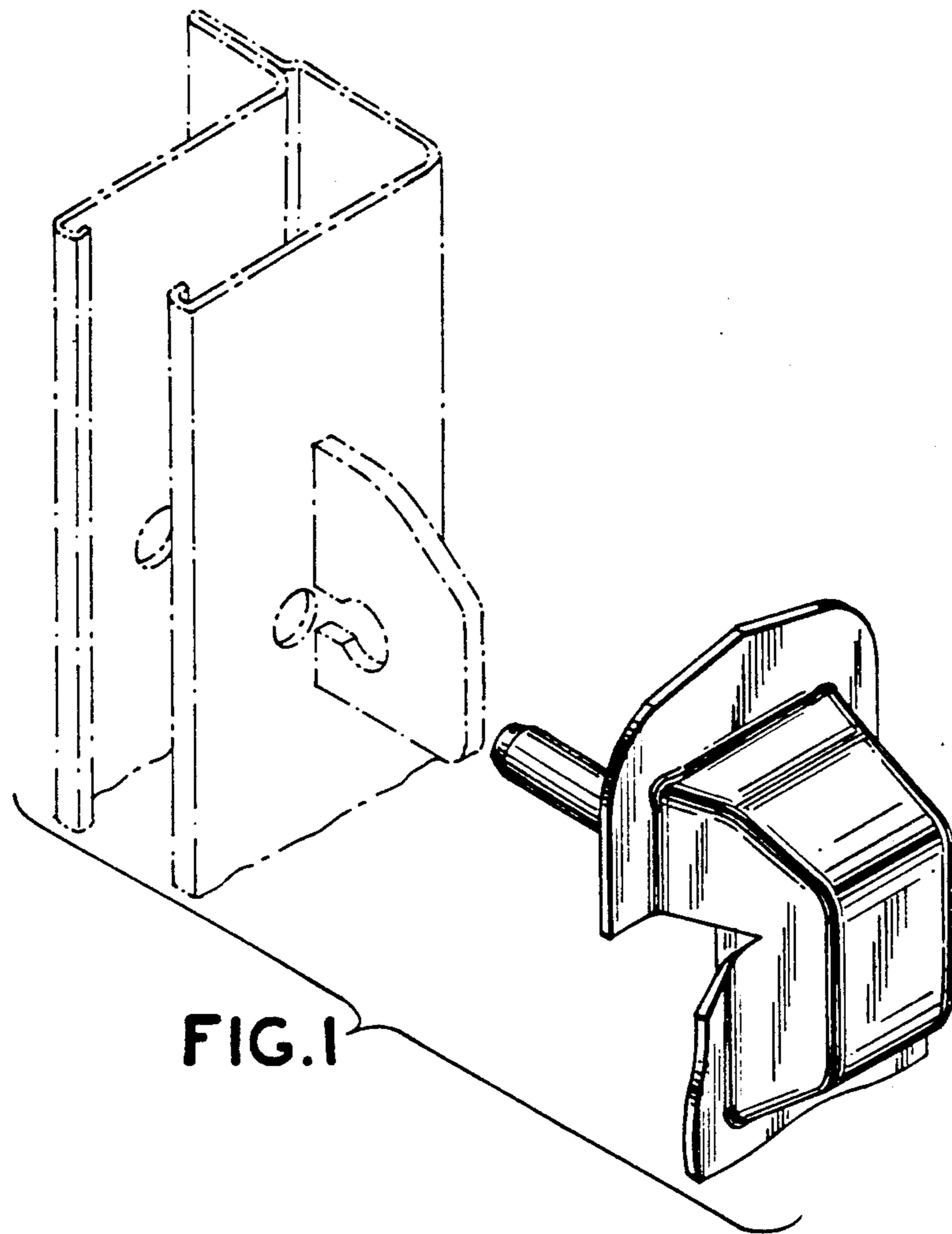


FIG. 1

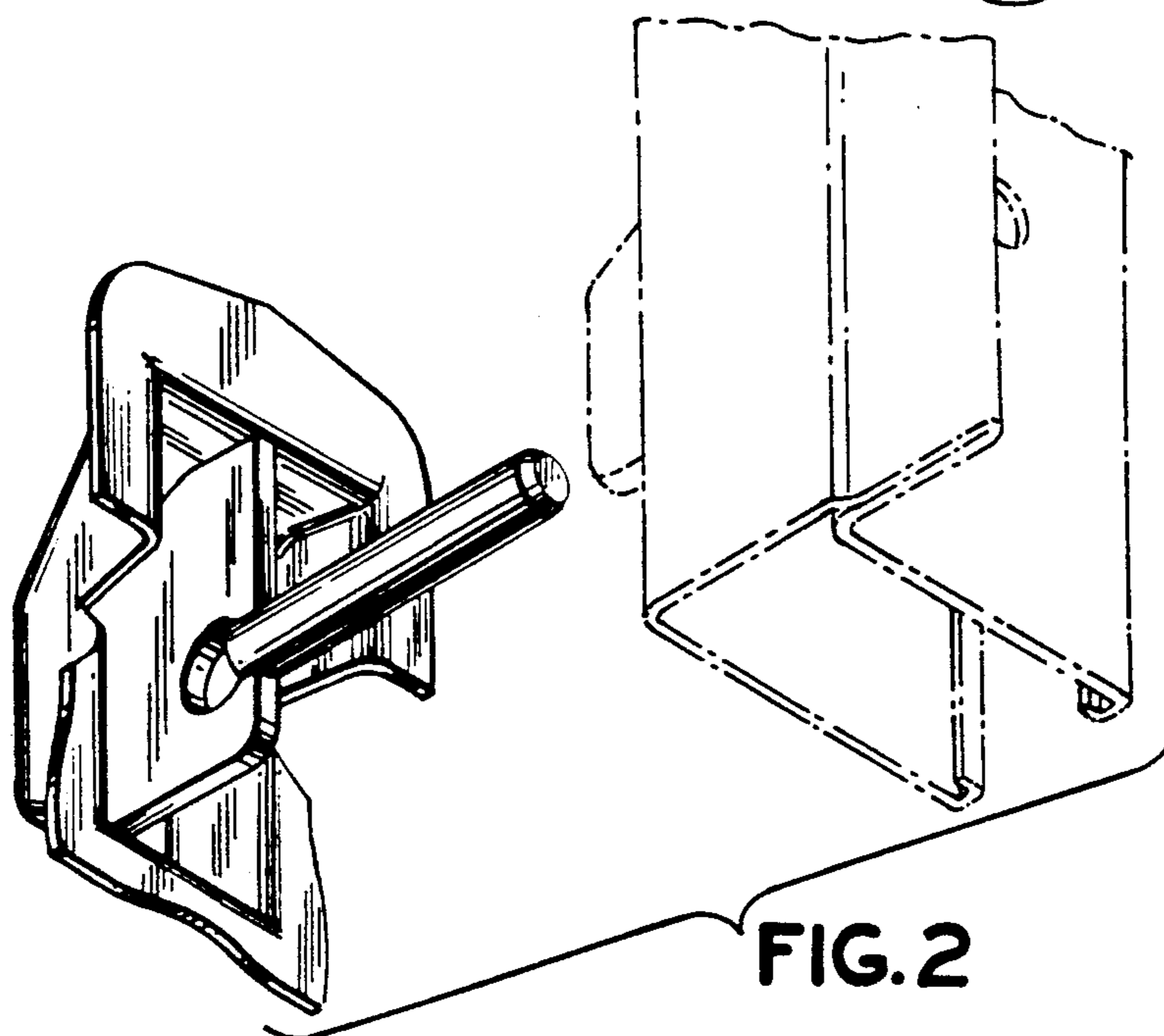


FIG. 2

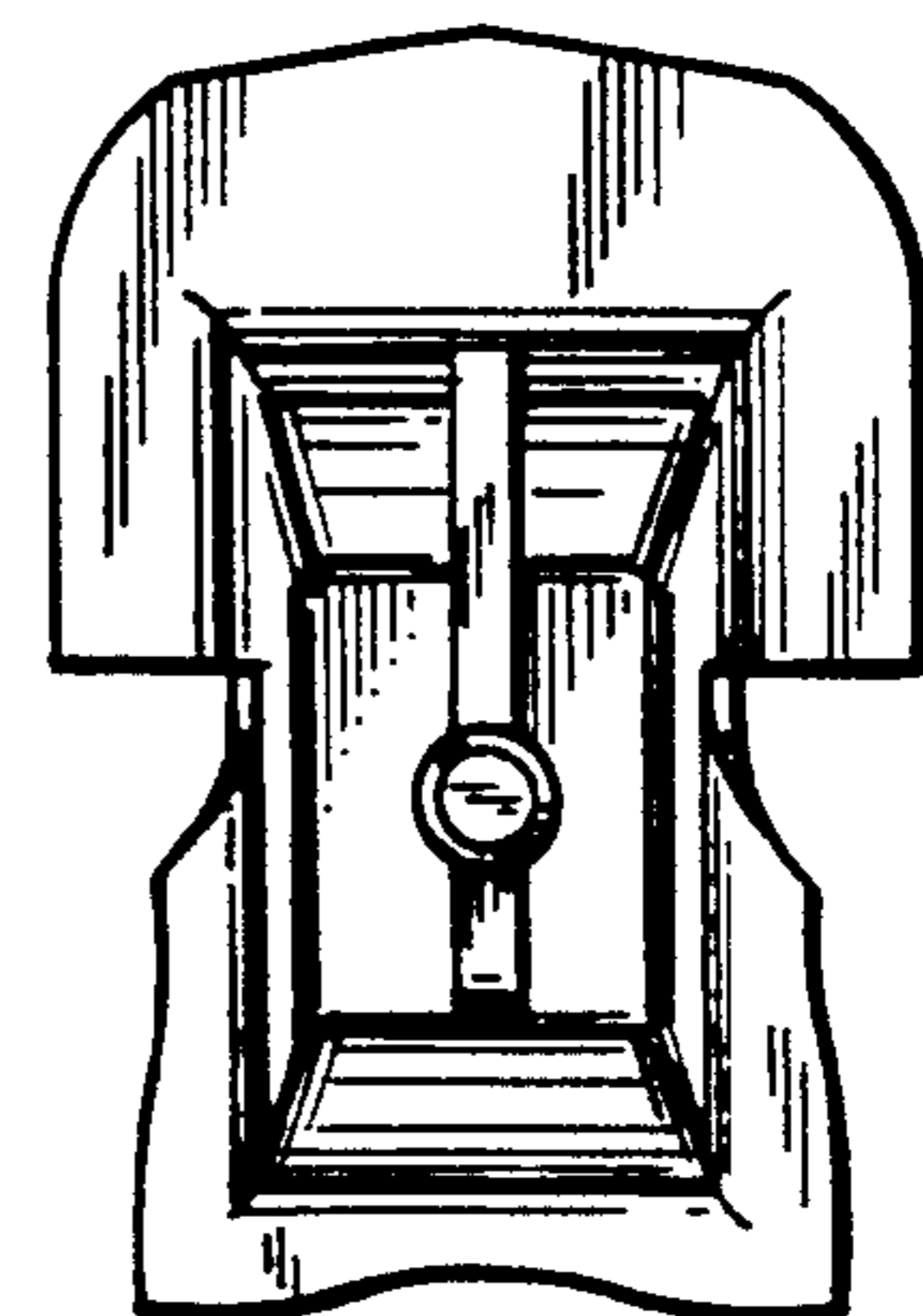


FIG. 3

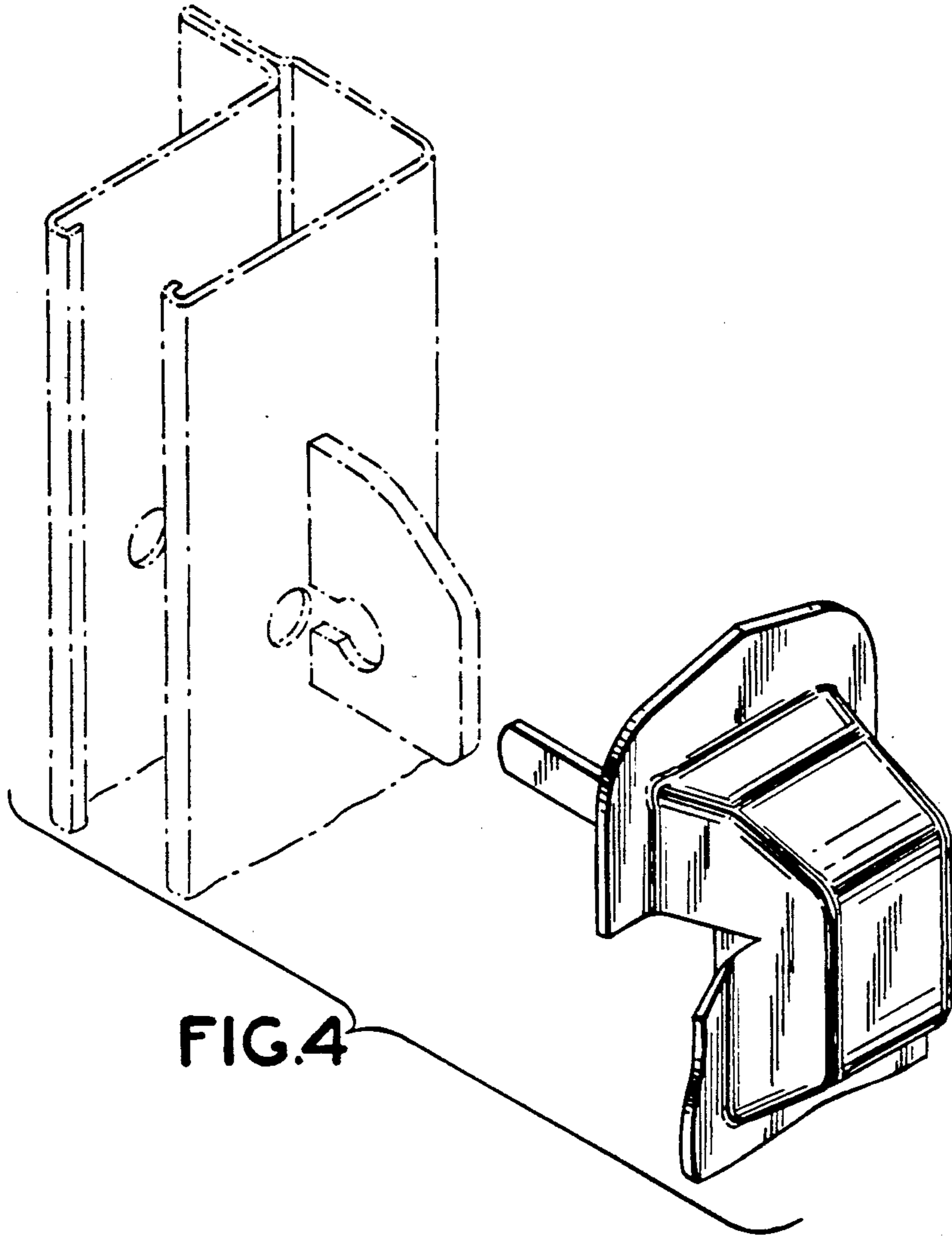


FIG. 4

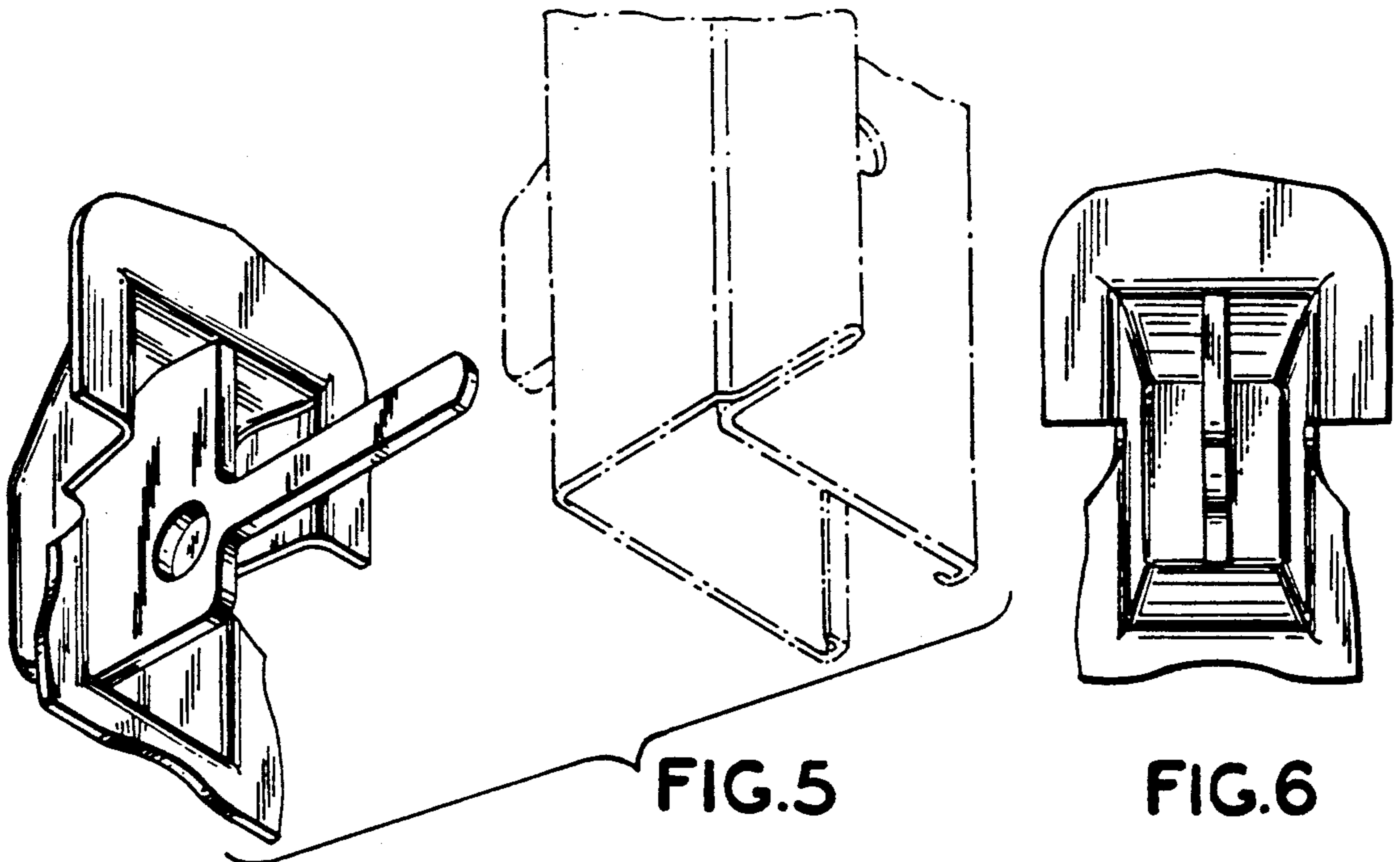


FIG. 5

FIG. 6