



US00D324166S

United States Patent [19]

[11] Patent Number: Des. 324,166

Greco

[45] Date of Patent: ** Feb. 25, 1992

[54] LATCH FOR ROLLING GATES

[76] Inventor: Vincent Greco, 65 Rockledge Dr., Pelham Manor, N.Y. 10803

[**] Term: 14 Years

[21] Appl. No.: 495,939

[22] Filed: Mar. 20, 1990

[52] U.S. Cl. D8/331; D8/339

[58] Field of Search D8/330-346; 292/213, 216, 195, 189, DIG. 12, DIG. 29, DIG. 55; 70/95-99, 55-56, 77, 91

[56] References Cited

U.S. PATENT DOCUMENTS

D. 240,011	5/1976	Greco	D8/331
D. 272,041	1/1984	Harris et al.	D8/330
D. 281,947	12/1985	Greco	D8/331
D. 283,672	5/1986	Greco	D8/331
D. 292,369	10/1987	Greco	D8/331
D. 317,247	6/1991	Wells	D8/336
4,314,719	2/1982	Hawkins	292/189 X
4,345,448	8/1982	Solomon	70/95

Primary Examiner—Brian N. Vinson
Attorney, Agent, or Firm—Goodman & Teitelbaum

[57] CLAIM

The ornamental design for a latch for rolling gates, as shown and described.

DESCRIPTION

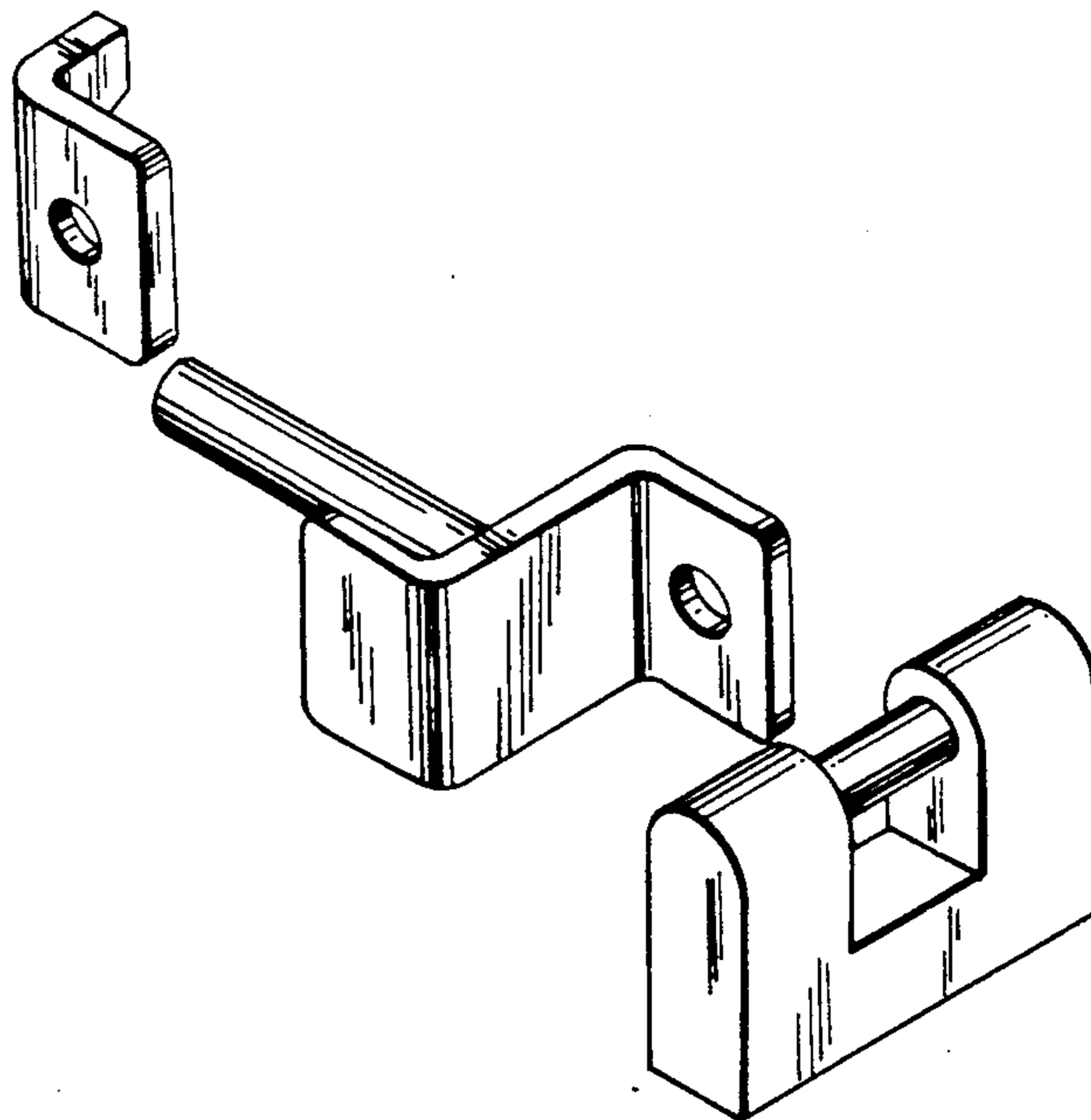
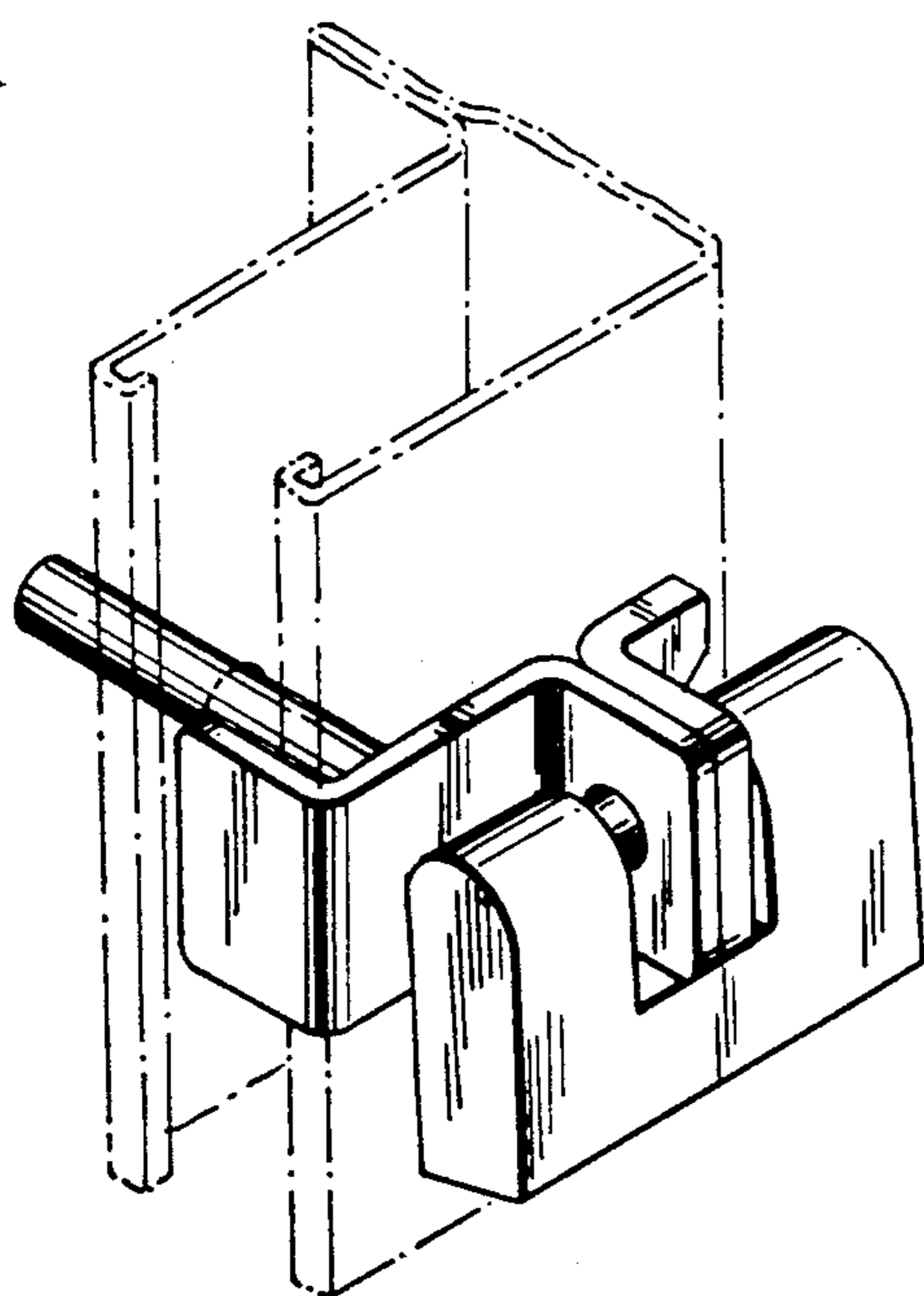
FIG. 1 is a top, front, and left side perspective view of a latch for rolling gates showing my new design, the broken-line disclosure of a fragment of a rolling gate assembly being for illustrative purposes only and forming no part of the claimed design;

FIG. 2 is an exploded top, front, and left side perspective view thereof;

FIG. 3 is an exploded bottom, rear, and right side perspective view thereof;

FIG. 4 is an exploded bottom plan view thereof; and FIG. 5 is a top, front, and right side perspective view of the lock component thereof, shown in an open condition.

The broken line representation of a rolling gate side rail in FIG. 1 is for illustrative purposes only.



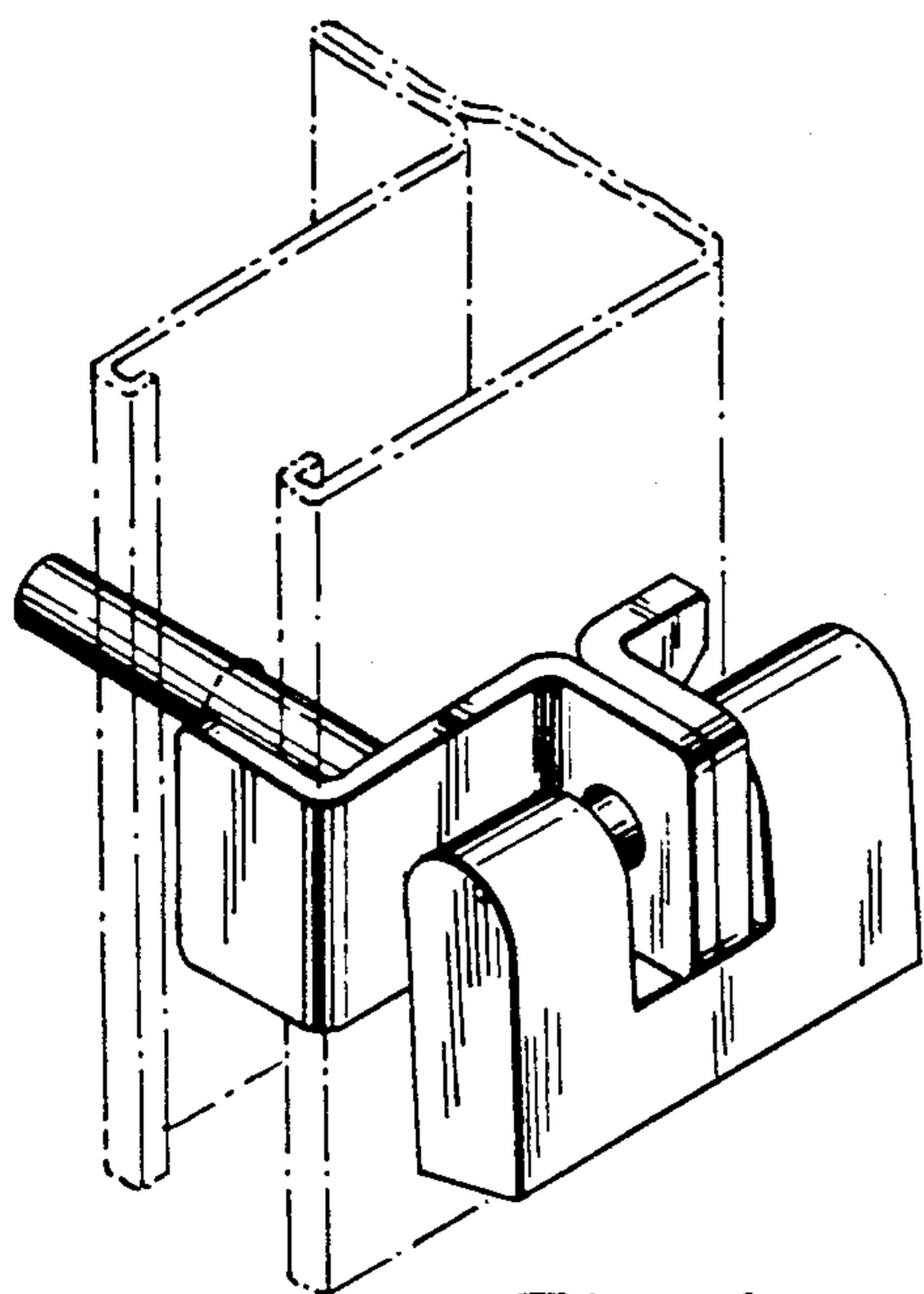


FIG. 1

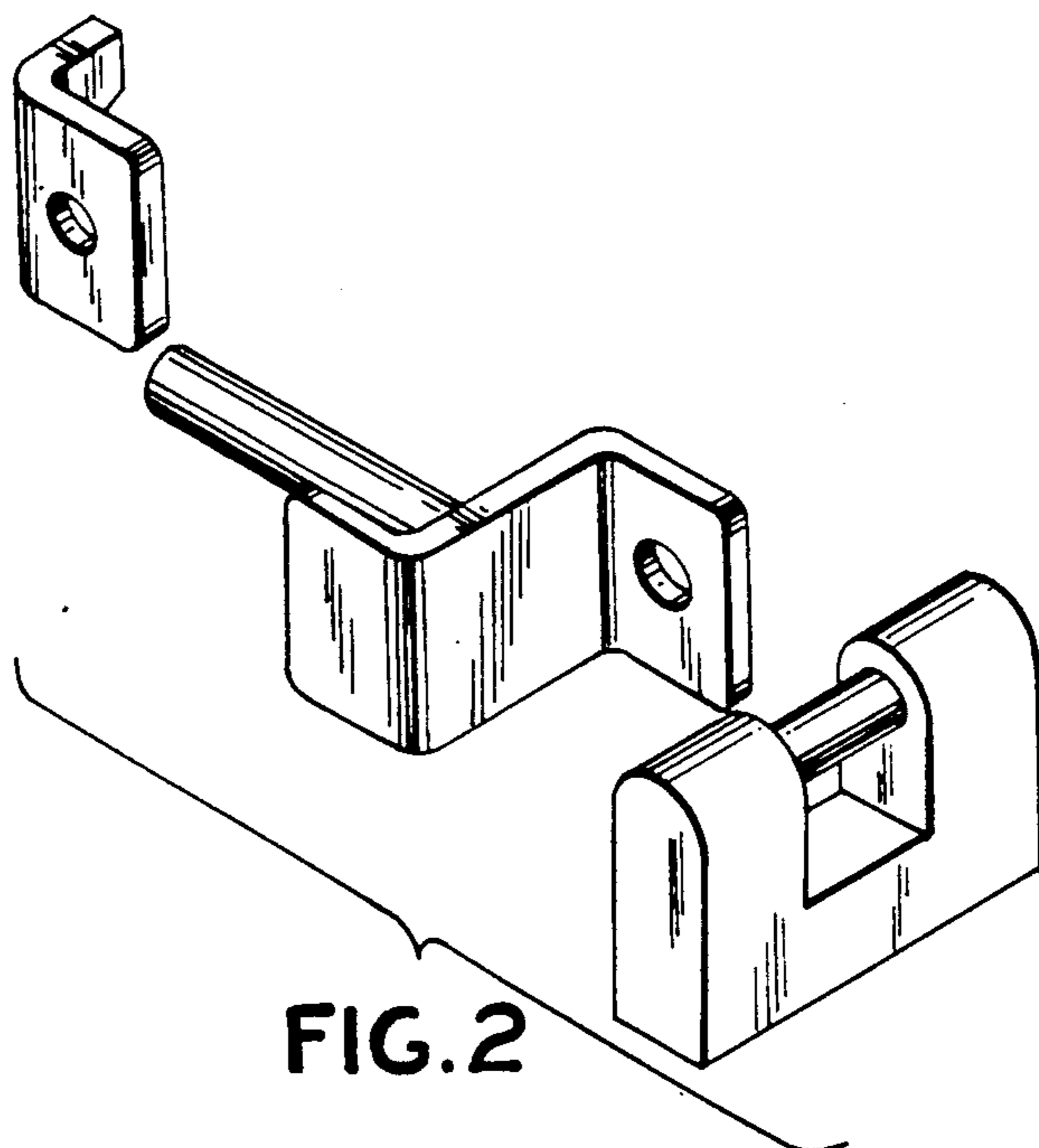


FIG. 2

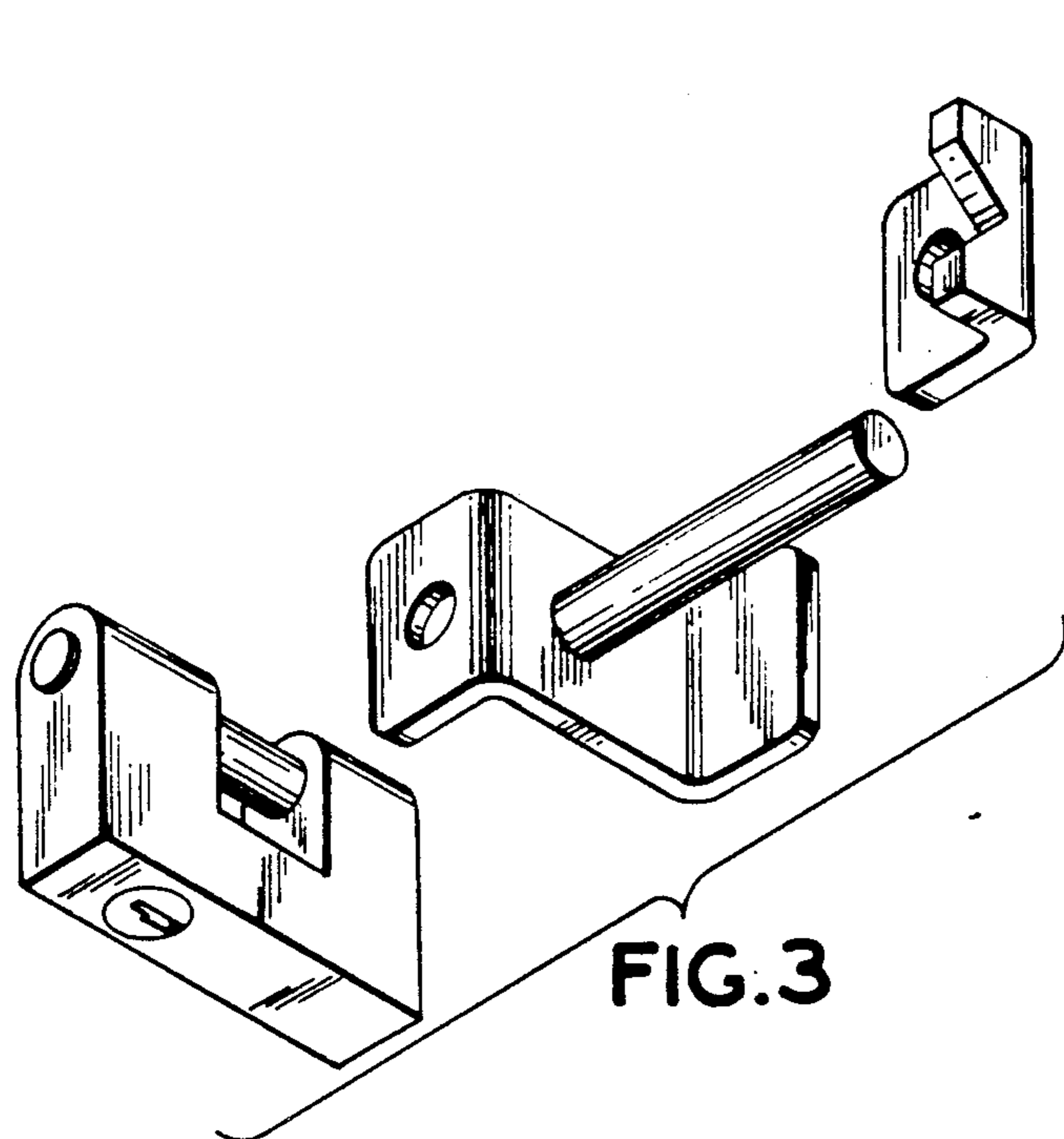


FIG. 3

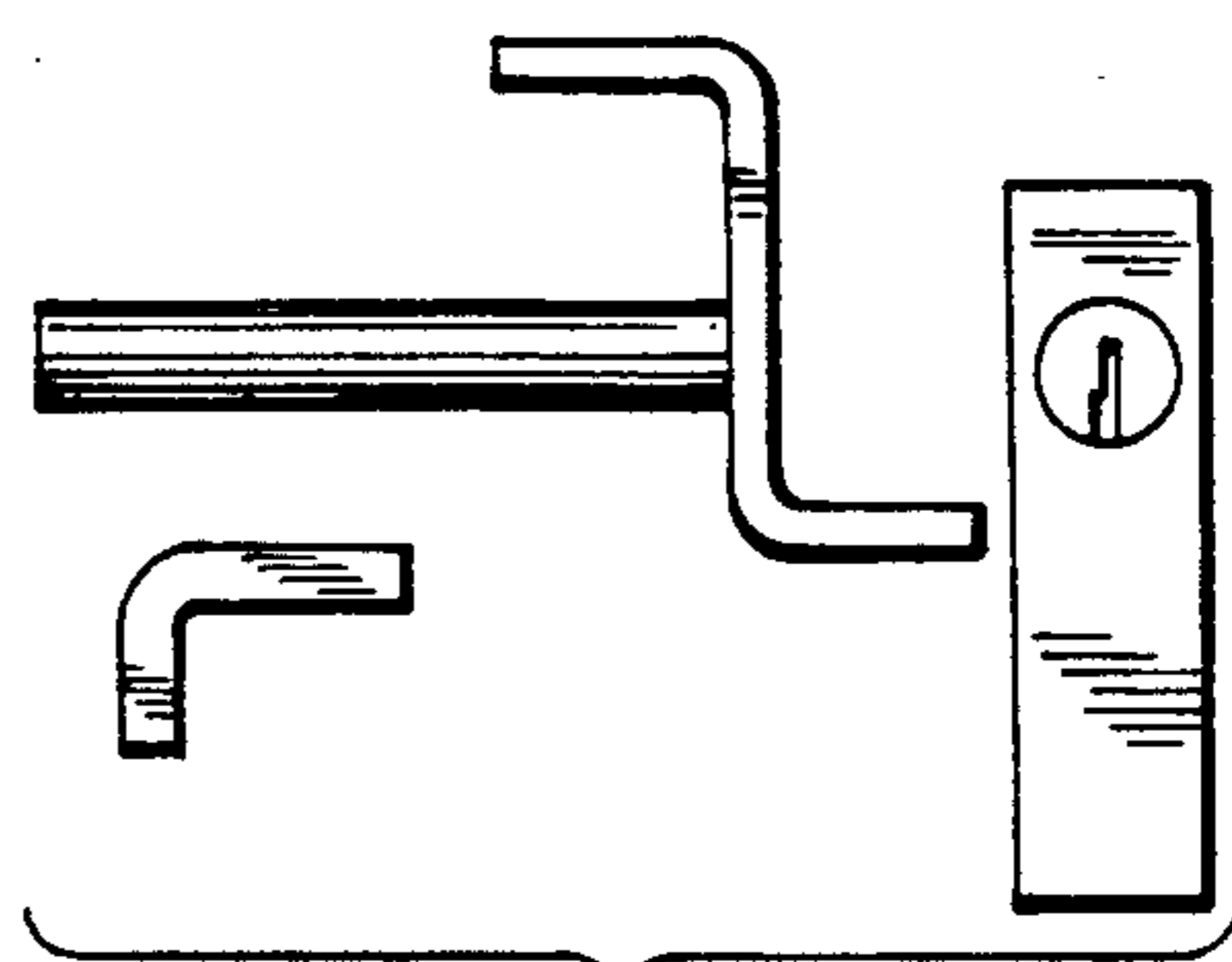


FIG. 4

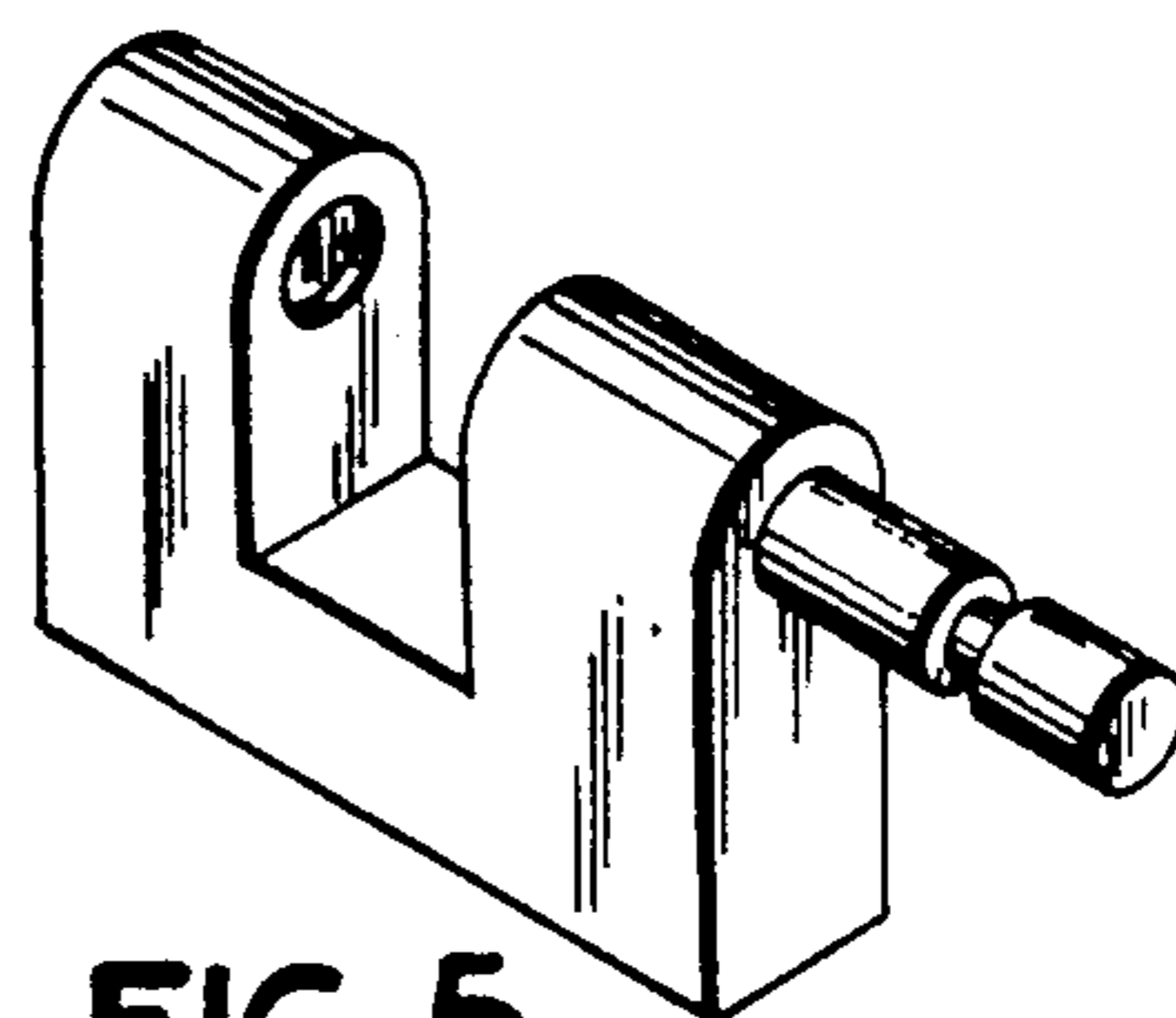


FIG. 5