



US00D324154S

United States Patent [19]

[11] Patent Number: **Des. 324,154**

Embree

[45] Date of Patent: **** Feb. 25, 1992**

[54] **PIVOT TOP COOLER**

[75] Inventor: **Donald Embree**, Uniontown, Ohio

[73] Assignee: **Rubbermaid Incorporated**, Wooster, Ohio

[**] Term: **14 Years**

[21] Appl. No.: **385,166**

[22] Filed: **Jul. 25, 1989**

[52] U.S. Cl. **D7/605**

[58] Field of Search **D7/605-608;**
D3/30.1; 62/457.1, 457.2; 220/318, 902, 410;
206/541, 545, 549

West Belt Dr., Houston, TX 77224-9322, publication date 1986.

P. 2, Thermos Outdoor Living Products, 1989 Price List, street address unknown, Freeport, IL 61032, publication date 1988.

Primary Examiner—Terry A. Pfeffer

Attorney, Agent, or Firm—Richard B. O'Planick

[57] CLAIM

The ornamental design for a pivot top cooler, as shown and described.

DESCRIPTION

FIG. 1 is a front perspective view of a pivot top cooler showing my new design;

FIG. 2 is a front elevational view thereof; the rear elevational view being a mirror image thereof;

FIG. 3 is a top plan view thereof;

FIG. 4 is a bottom plan view thereof;

FIG. 5 is a right side elevational view thereof; and

FIG. 6 is a left side elevational view thereof showing a partial sectional view then through line 6-6 of FIG. 2.

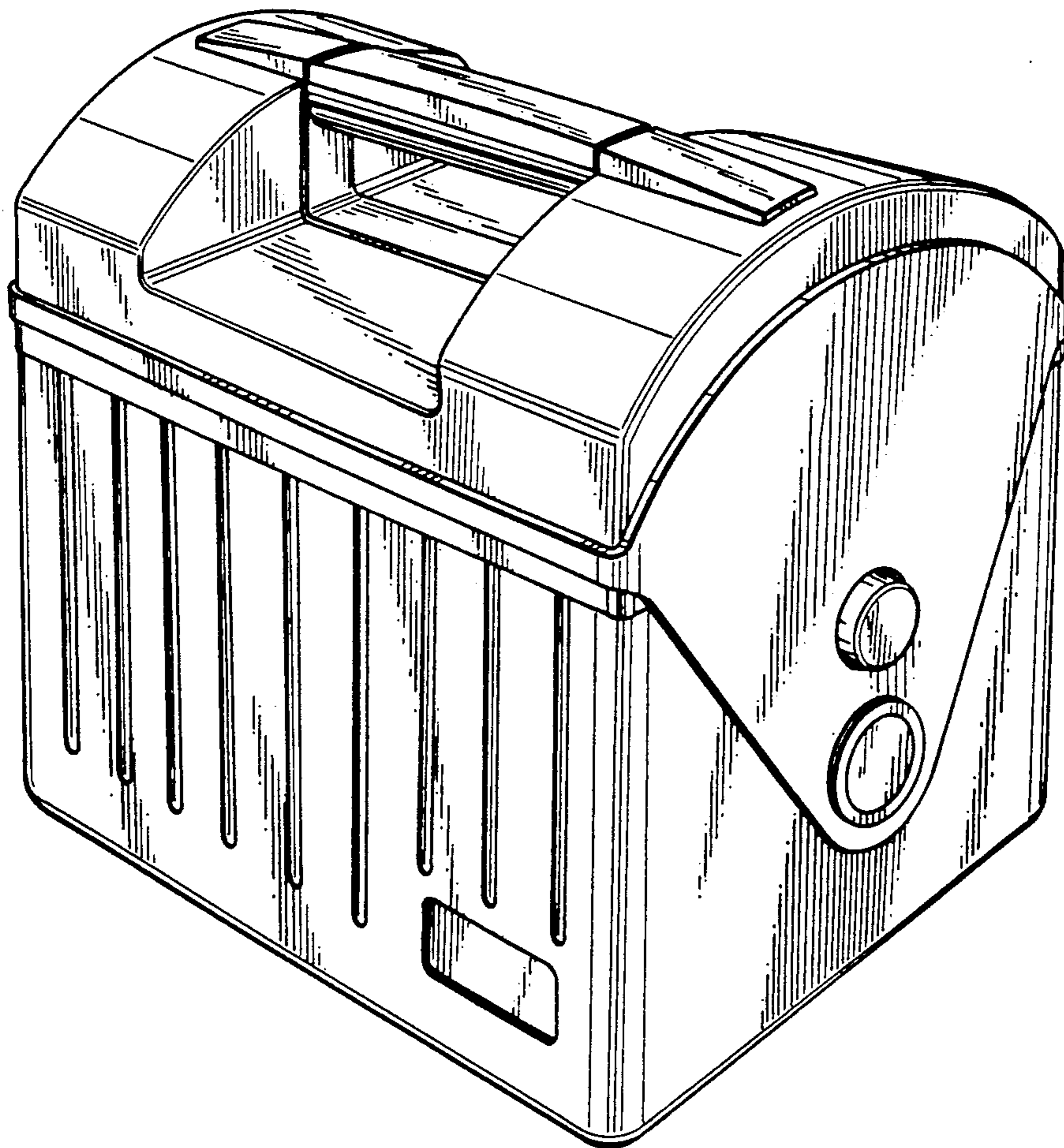
[56] References Cited

U.S. PATENT DOCUMENTS

- D. 259,760 7/1981 Lucas et al. .
- D. 296,066 6/1988 Tarozzi et al. .
- D. 307,998 5/1990 Costello et al. **D7/605**
- 3,640,420 2/1972 Carter et al. **206/545 X**
- 4,700,395 10/1987 Long .

OTHER PUBLICATIONS

Pp. 2 & 19, Igloo Corporation, P.O. Box 19322, 1001



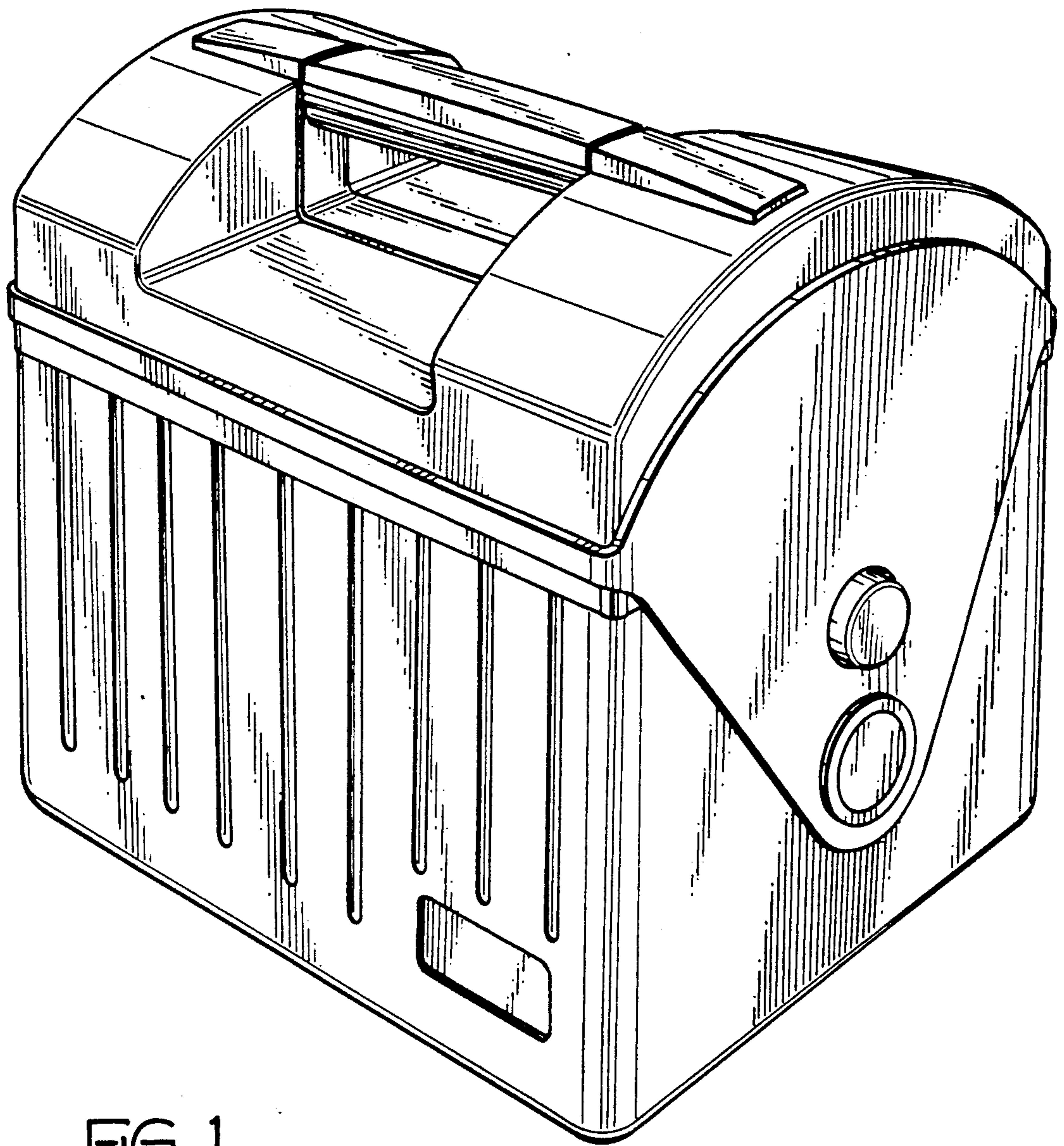


FIG. 1

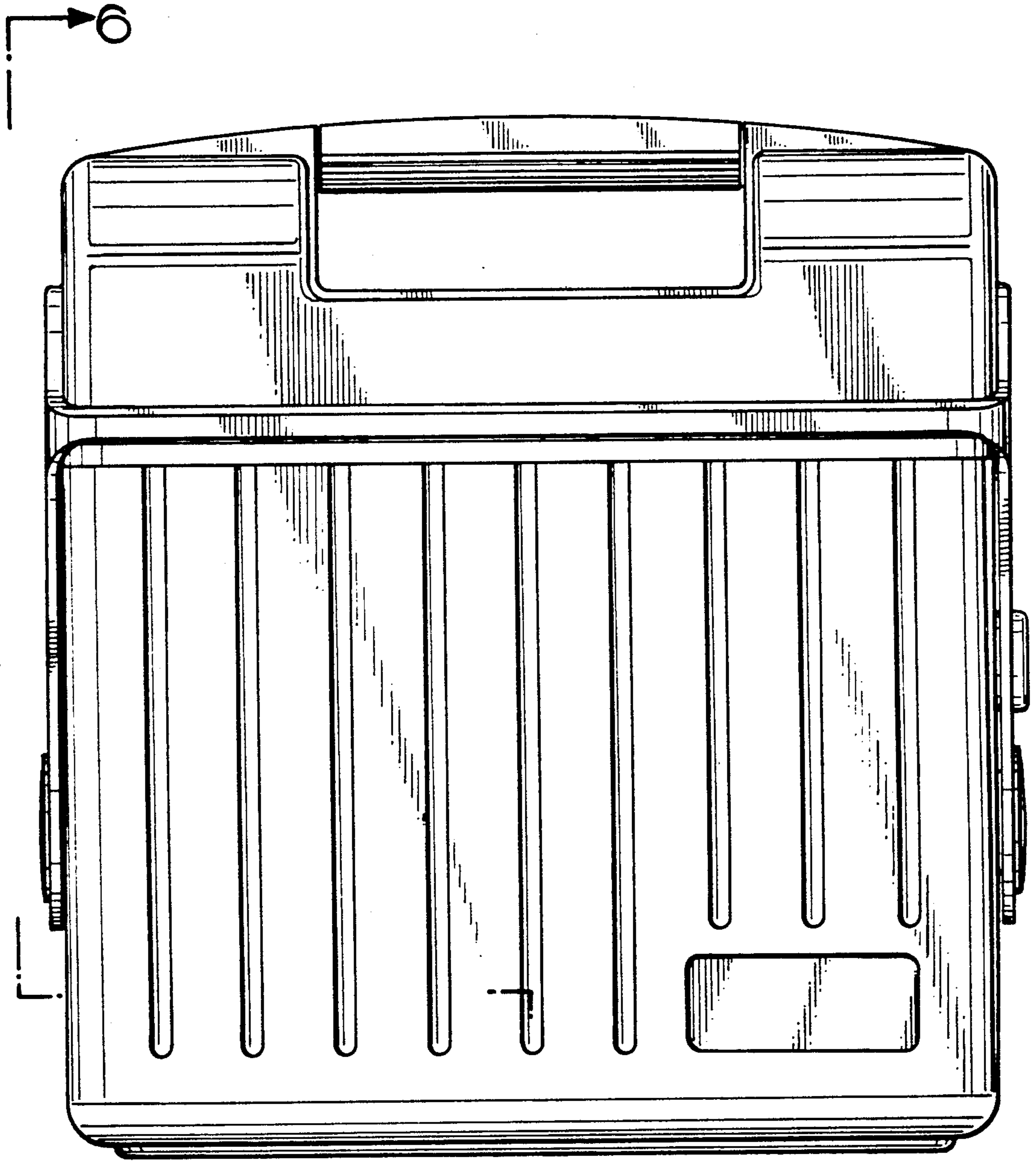


FIG. 2 ^L→6

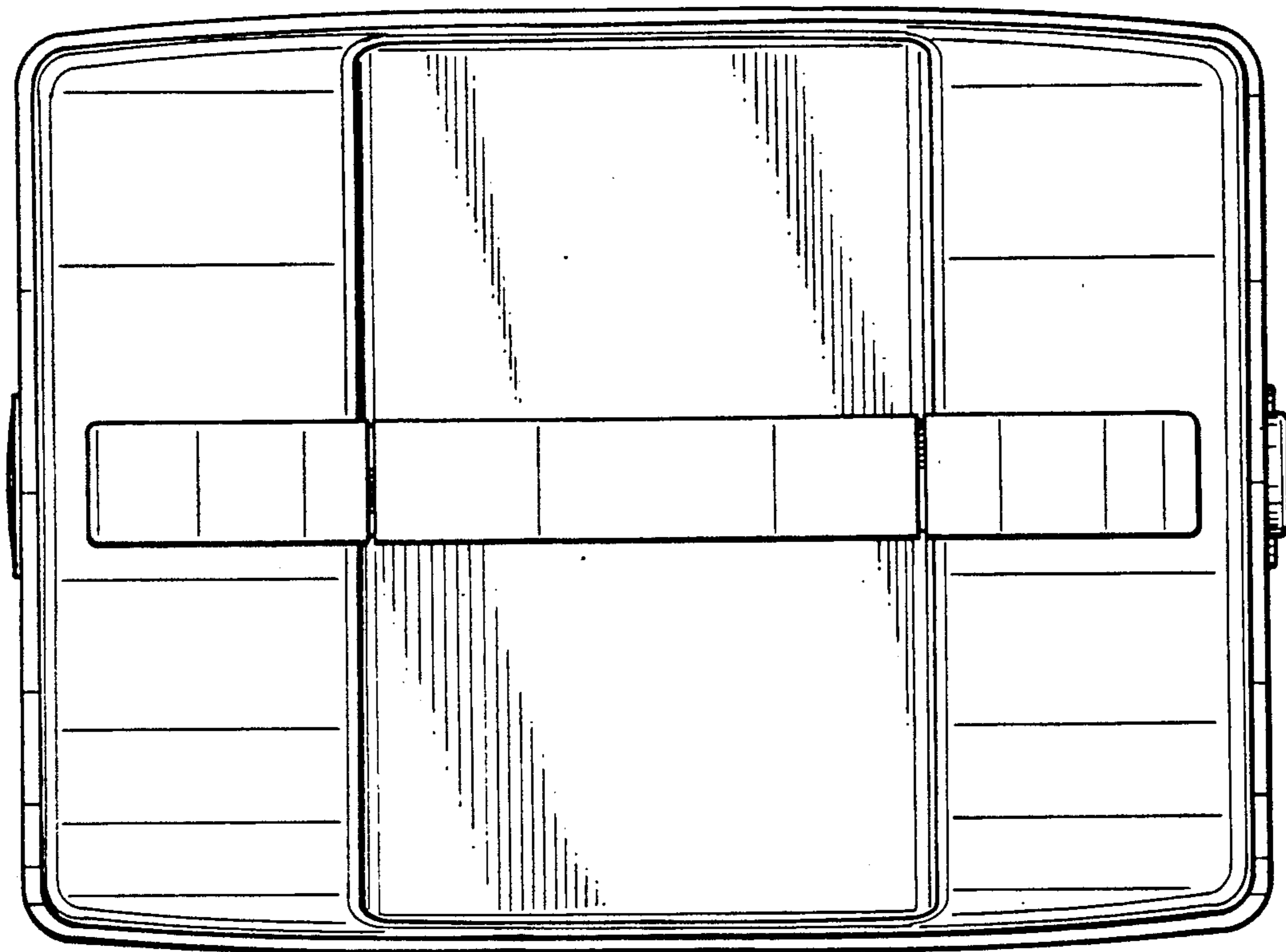


FIG. 3

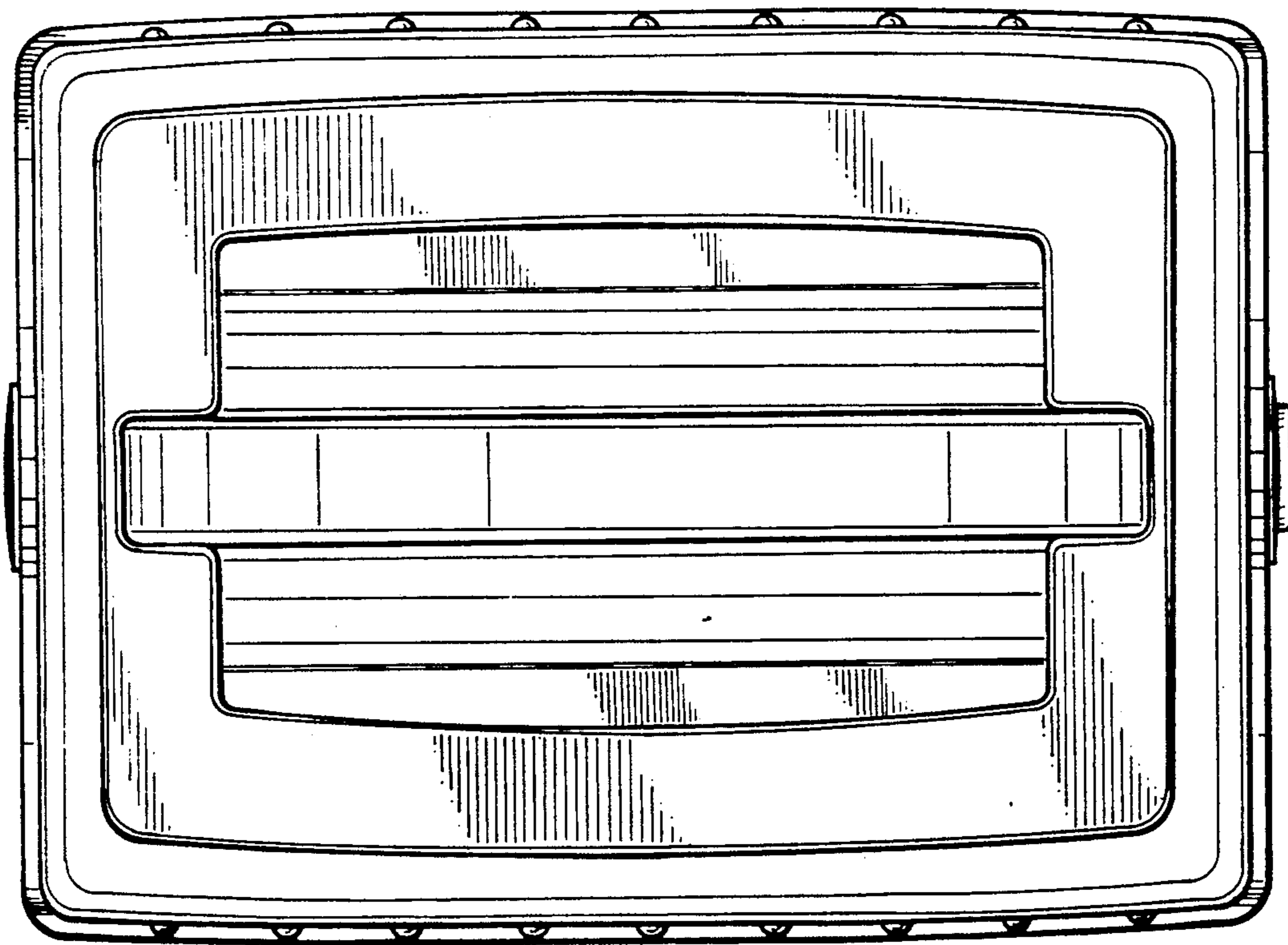


FIG. 4

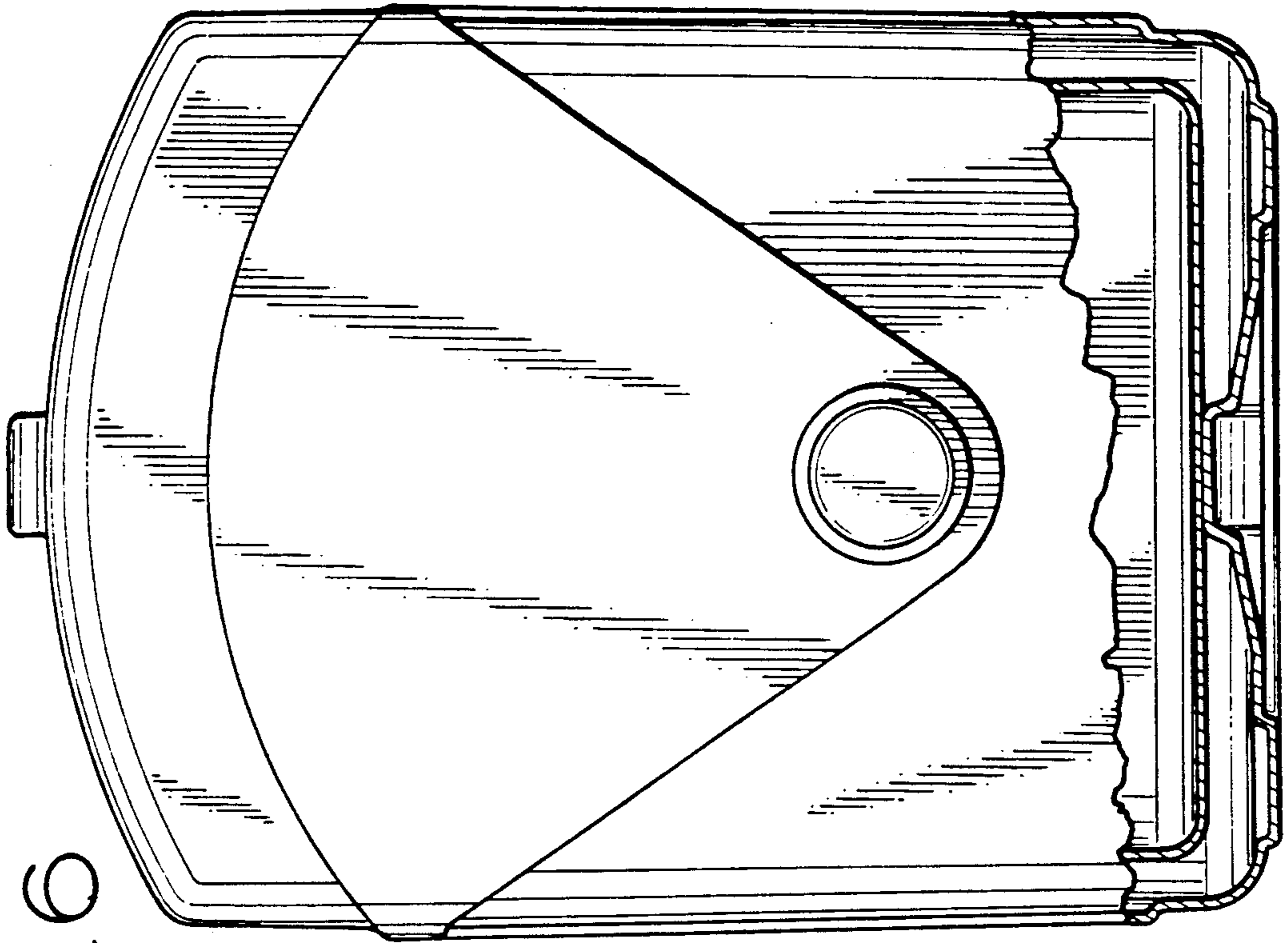


FIG. 5

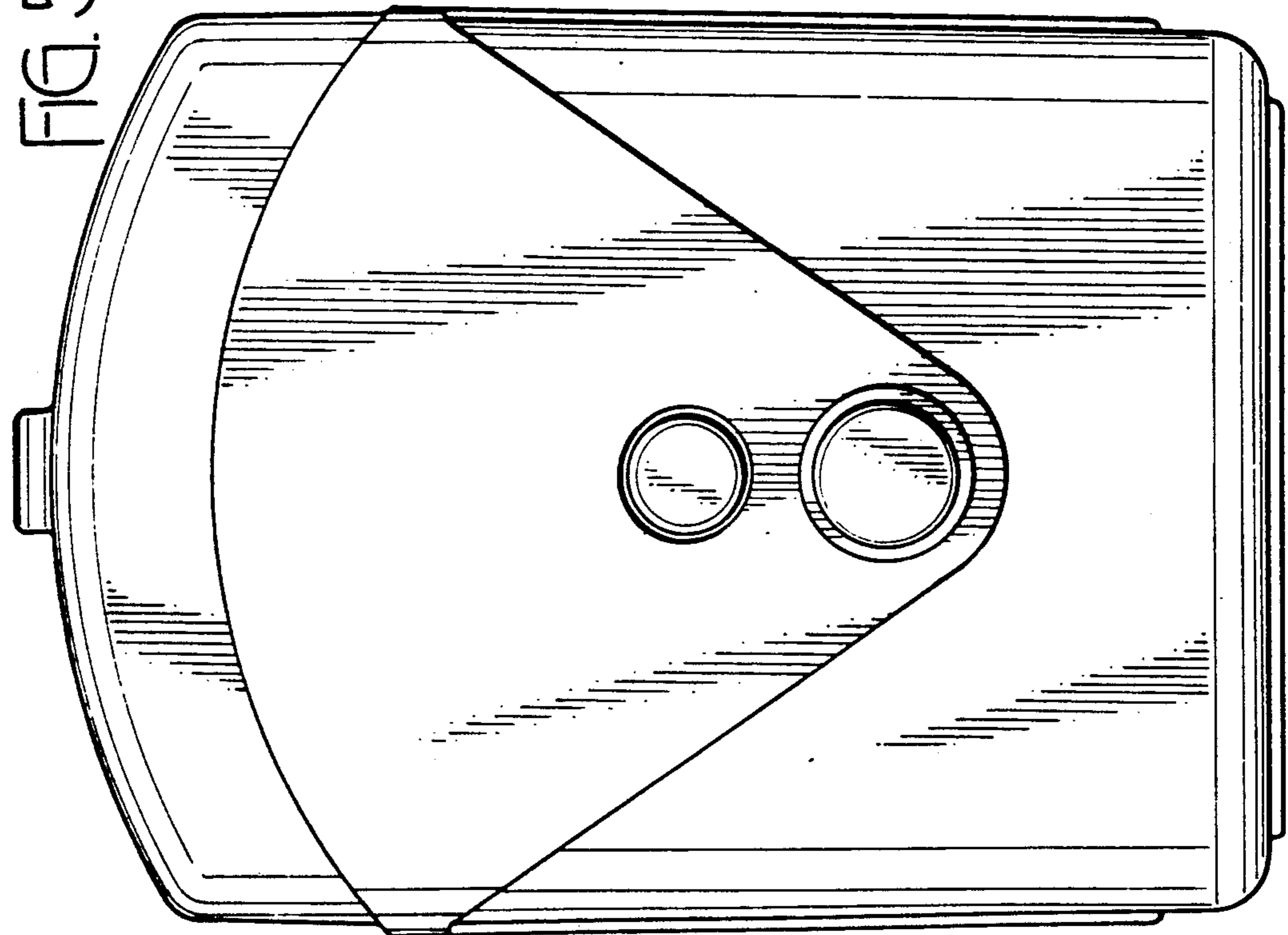


FIG. 6