



US00D324151S

# United States Patent [19]

**Barrault**

[11] **Patent Number: Des. 324,151**

[45] **Date of Patent: \*\* Feb. 25, 1992**

- [54] **ELECTRIC DEEP FAT FRYER**
- [75] **Inventor: Jean-Louis Barrault,**  
Boulogne-Billancourt, France
- [73] **Assignee: Moulinex (Societe Anonyme)**
- [\*\*] **Term: 14 Years**
- [21] **Appl. No.: 443,382**
- [22] **Filed: Nov. 30, 1989**
- [30] **Foreign Application Priority Data**  
Jun. 15, 1989 [FR] France ..... 89 3945
- [52] **U.S. Cl. .... D7/354**
- [58] **Field of Search .... D7/323, 354, 360;**  
99/324, 336, 330, 403; 219/457, 478, 483

- 3,801,331 4/1974 Sano et al. .... 99/403
- 4,635,618 1/1987 Jenicot ..... D7/354 X

### FOREIGN PATENT DOCUMENTS

- 0263084 4/1988 European Pat. Off. .... 99/403

*Primary Examiner*—Nelson C. Holtje  
*Assistant Examiner*—Caron D. Veynar  
*Attorney, Agent, or Firm*—Young & Thompson

### [57] CLAIM

The ornamental design for an electric deep fat fryer, as shown.

### DESCRIPTION

FIG. 1 is a left, front and top perspective view of an electric deep fat fryer showing my new design; FIG. 2 is a front elevational view thereof; FIG. 3 is a rear elevational view thereof; FIG. 4 is a right side elevational view thereof; FIG. 5 is a left side elevational view thereof; FIG. 6 is a top plan view thereof; and FIG. 7 is a bottom plan view thereof.

- [56] **References Cited**  
**U.S. PATENT DOCUMENTS**  
D. 313,530 1/1991 Leiros ..... D7/354  
3,463,077 8/1969 Lescurer ..... 99/403

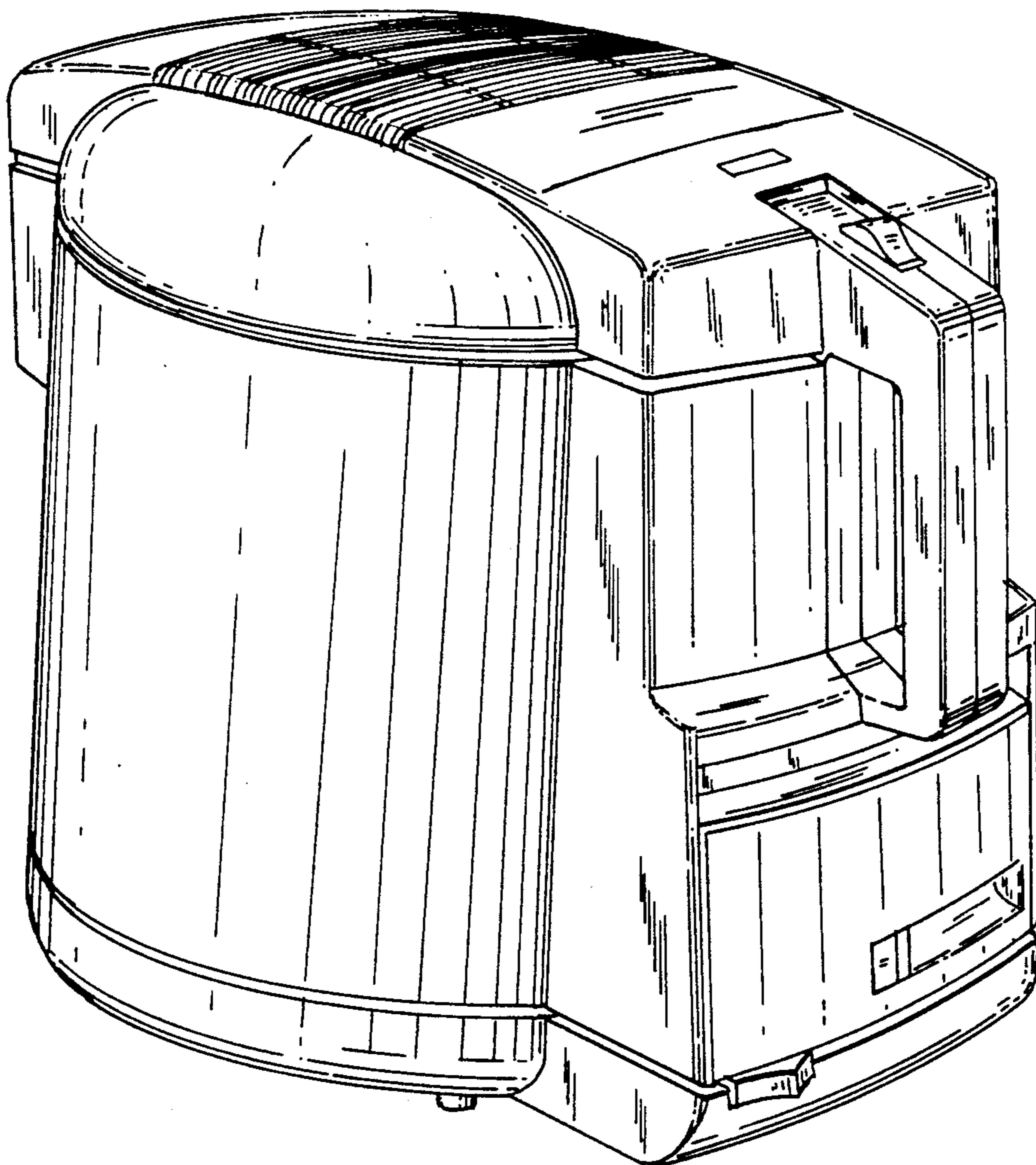


FIG. 1

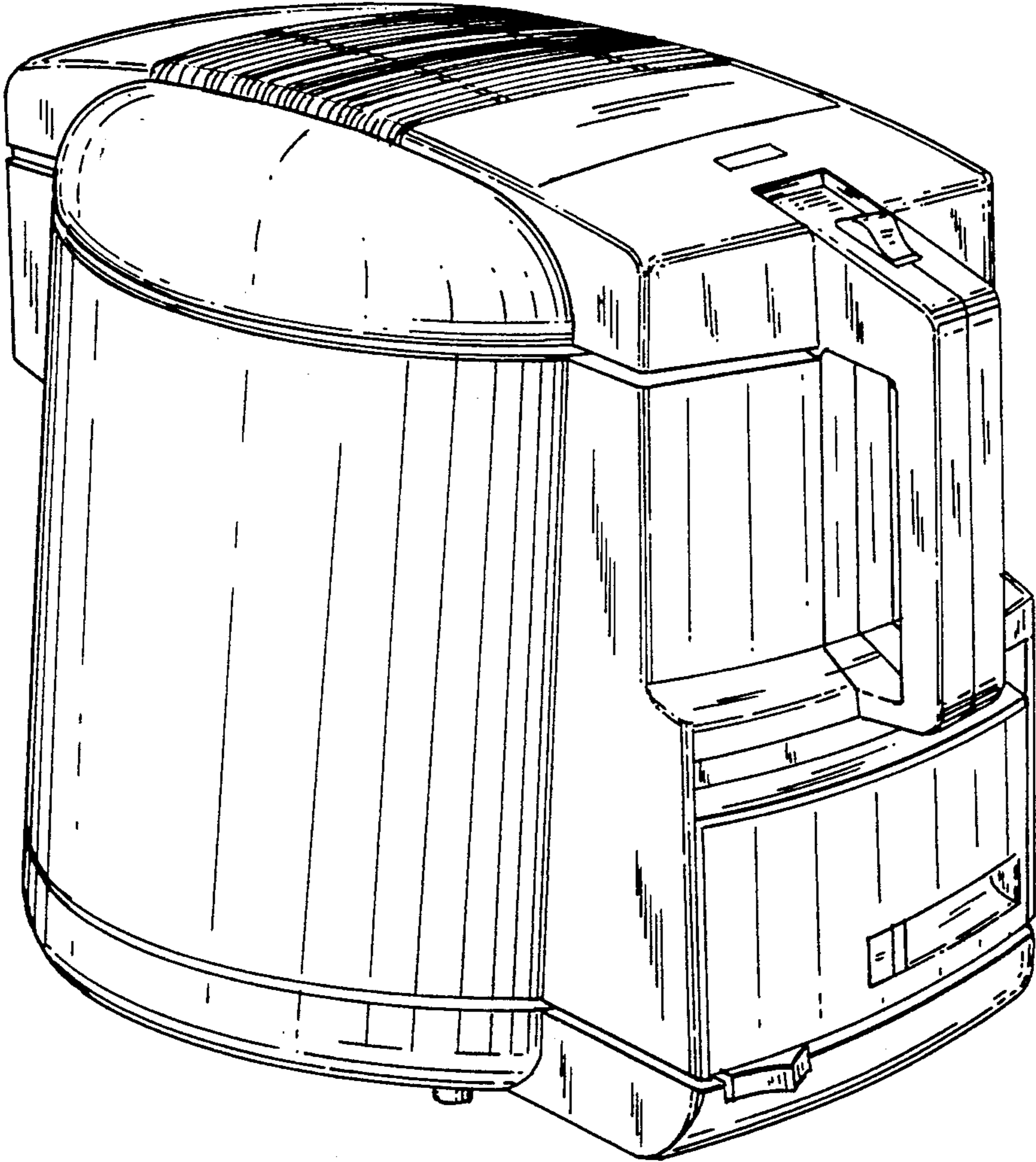


FIG. 2

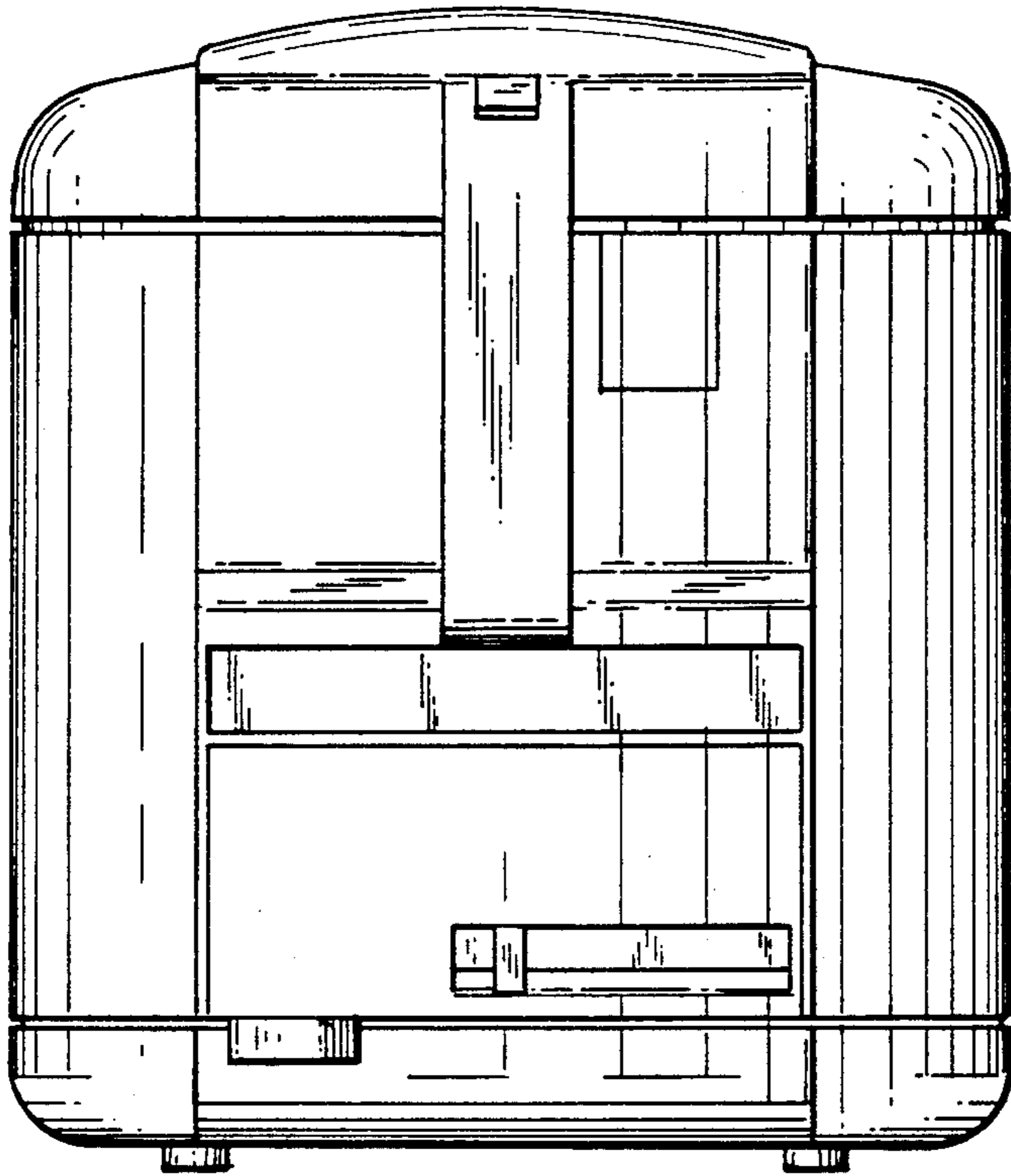
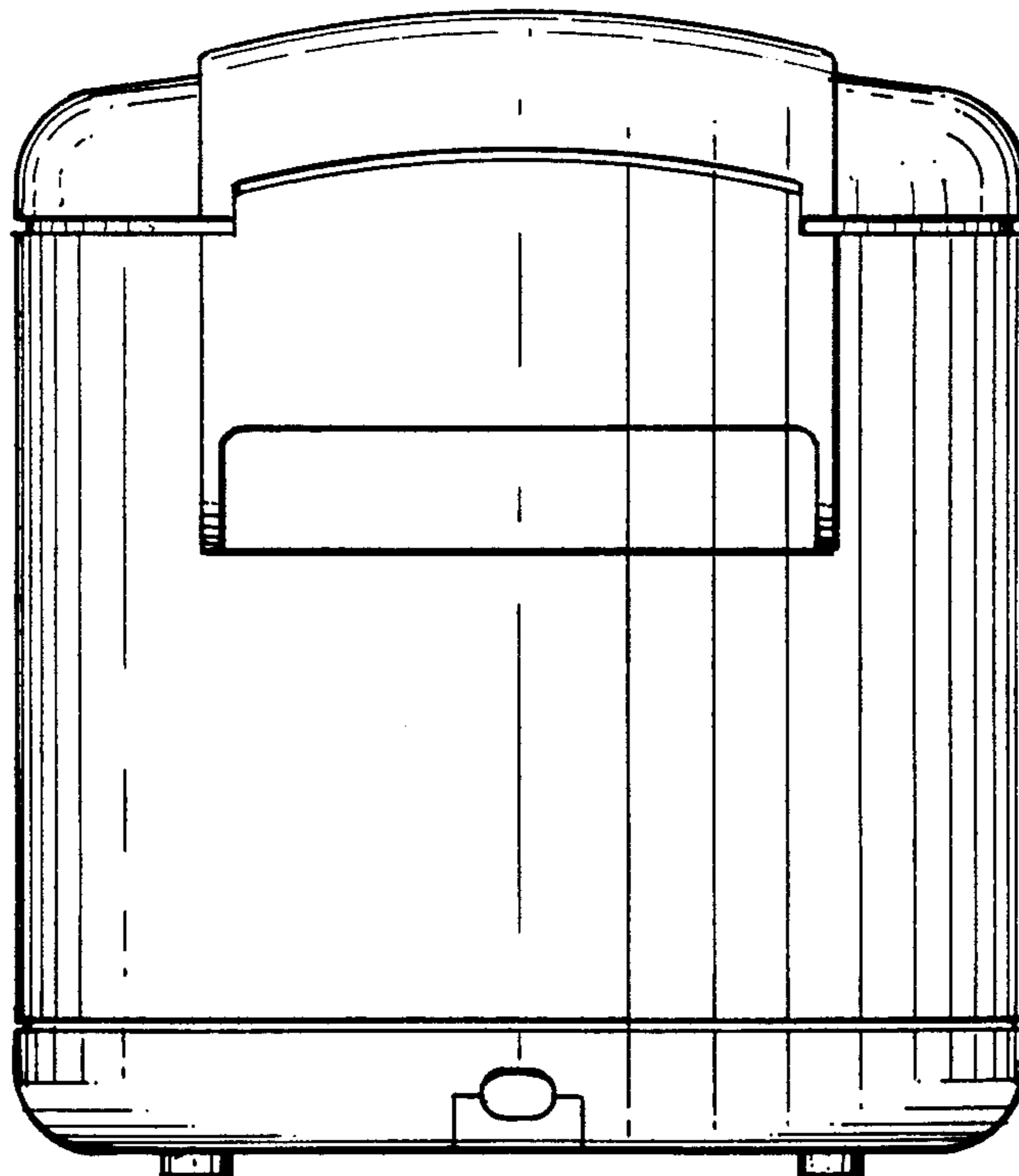


FIG. 3



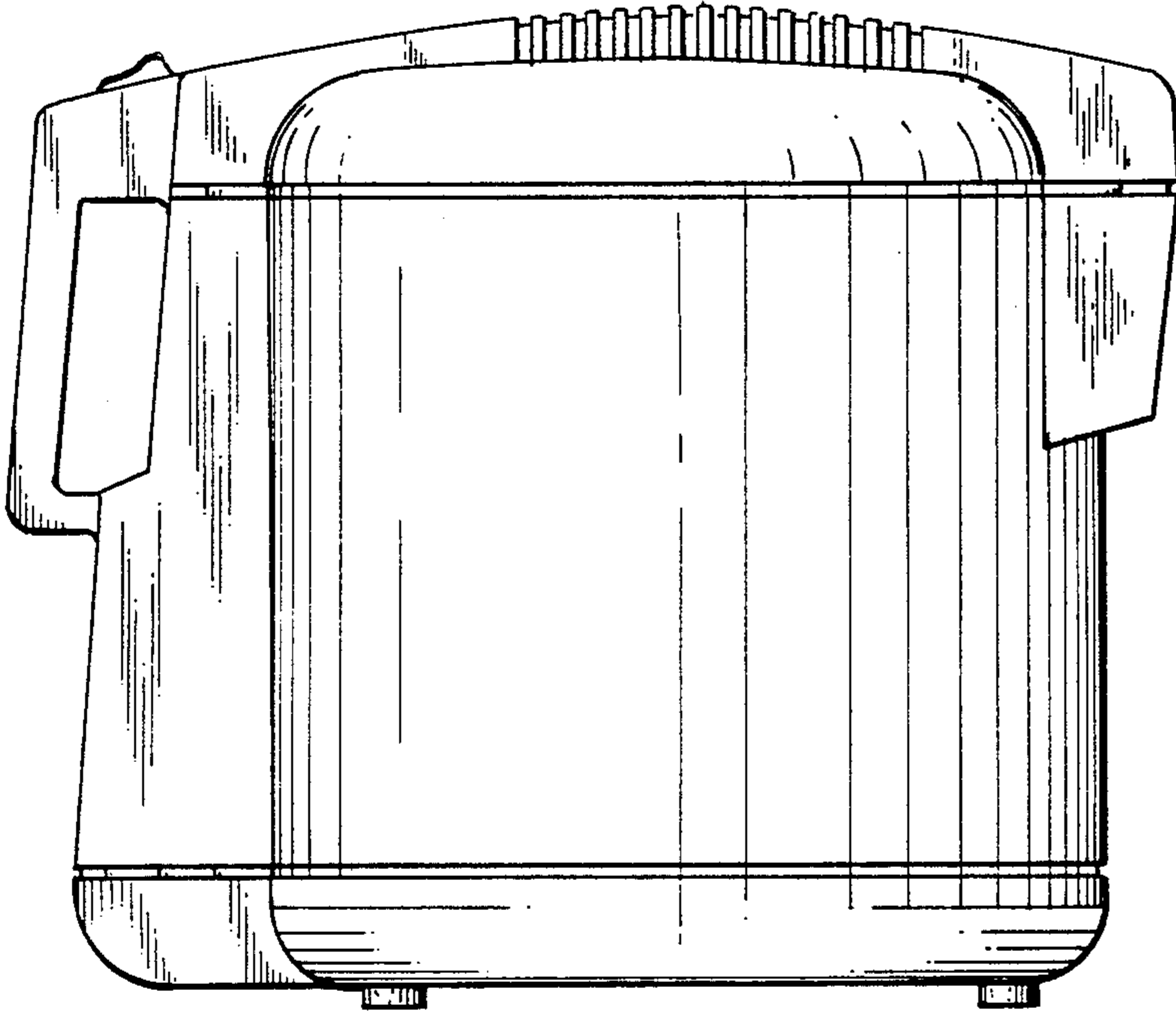
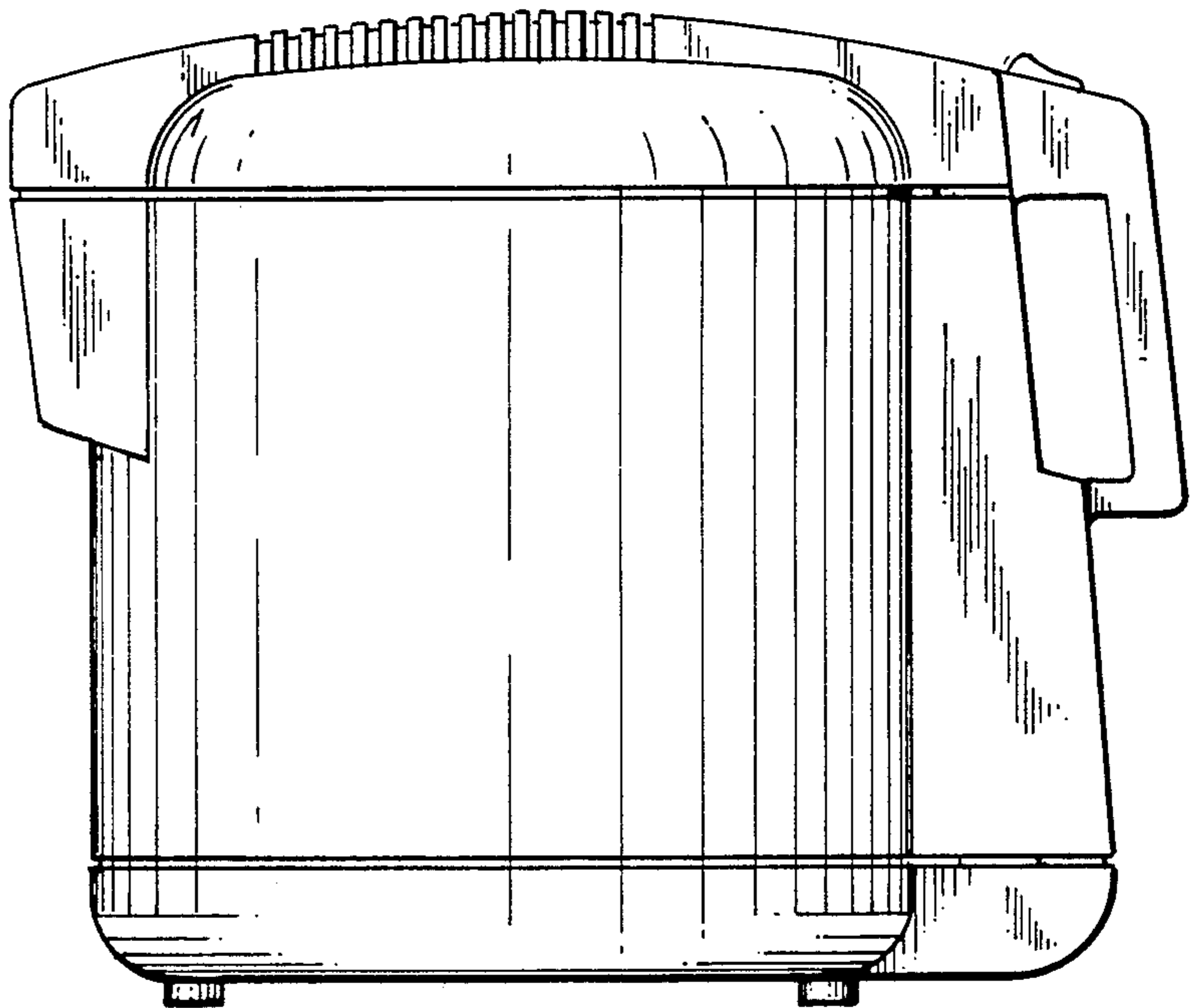


FIG. 4

FIG. 5



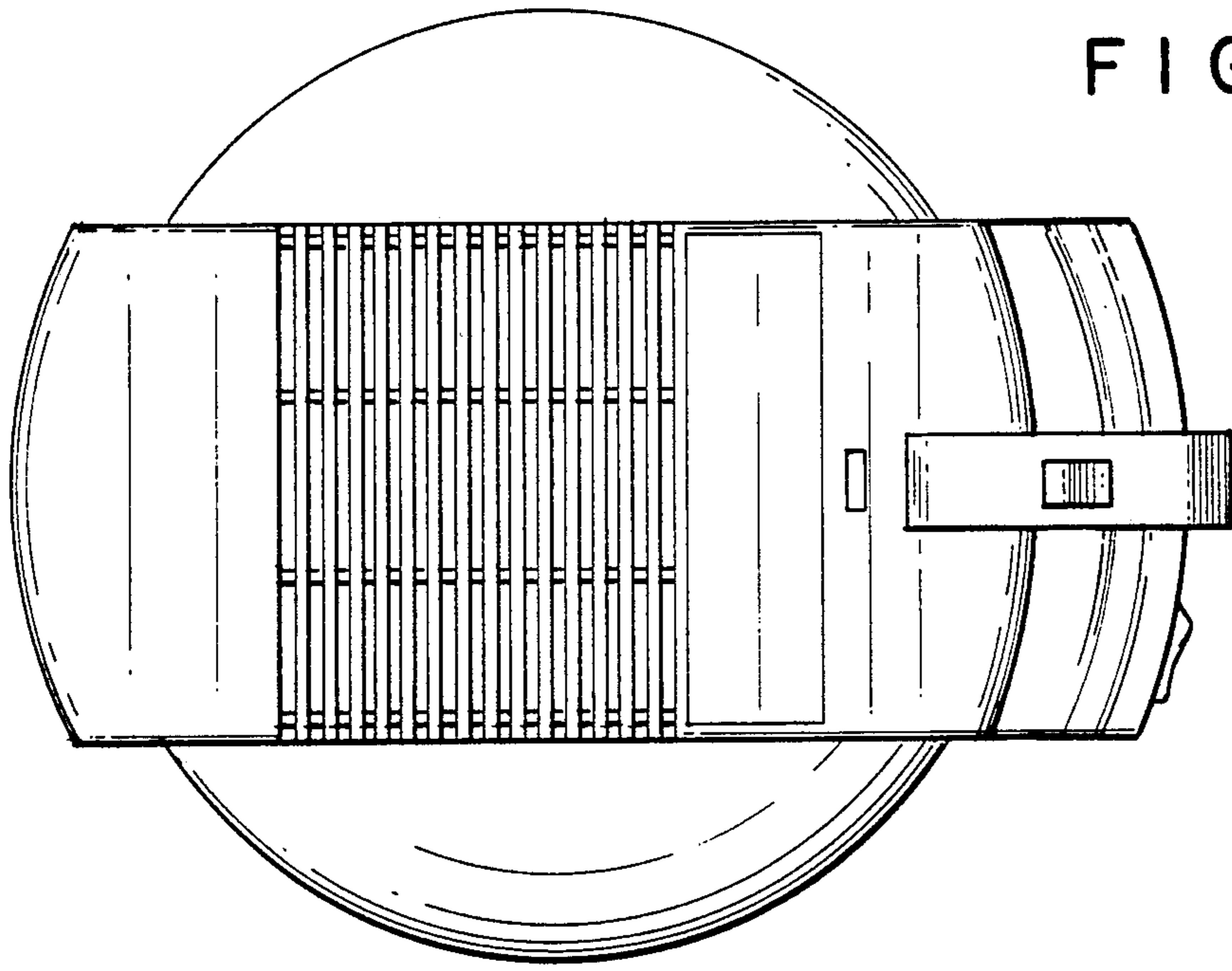


FIG. 6

FIG. 7

