



US00D324150S

United States Patent [19]

De Felip

[11] Patent Number: **Des. 324,150**

[45] Date of Patent: **** Feb. 25, 1992**

[54] **ESPRESSO COFFEE MACHINE**

[75] Inventor: **Aldo De Felip, Milan, Italy**

[73] Assignee: **Brevetti Gaggia S.p.A., Milan, Italy**

[**] Term: **14 Years**

[21] Appl. No.: **381,020**

[22] Filed: **Jul. 17, 1989**

[30] **Foreign Application Priority Data**

Mar. 9, 1989 [IT] Italy 20707/89[U]

[52] U.S. Cl. **D7/309**

[58] Field of Search D7/300, 305, 312, 308,
D7/309, 311

[56] **References Cited**

U.S. PATENT DOCUMENTS

- D. 269,183 5/1983 van Asten D7/309
- D. 285,890 9/1986 Jack D7/309
- D. 297,098 8/1988 Ohya et al. D7/309
- 2,927,522 3/1960 Rockwood et al. D7/311 X

Primary Examiner—Winifred E. Herrmann
Attorney, Agent, or Firm—Brumbaugh, Graves,
Donohue & Raymond

[57] **CLAIM**

The ornamental design for an espresso coffee machine, as shown.

DESCRIPTION

FIG. 1 is a top, front, and right side perspective view of an espresso coffee machine showing my new design; FIG. 2 is a left side elevational view thereof; FIG. 3 is a bottom plan view thereof; and FIG. 4 is a rear elevational view thereof.

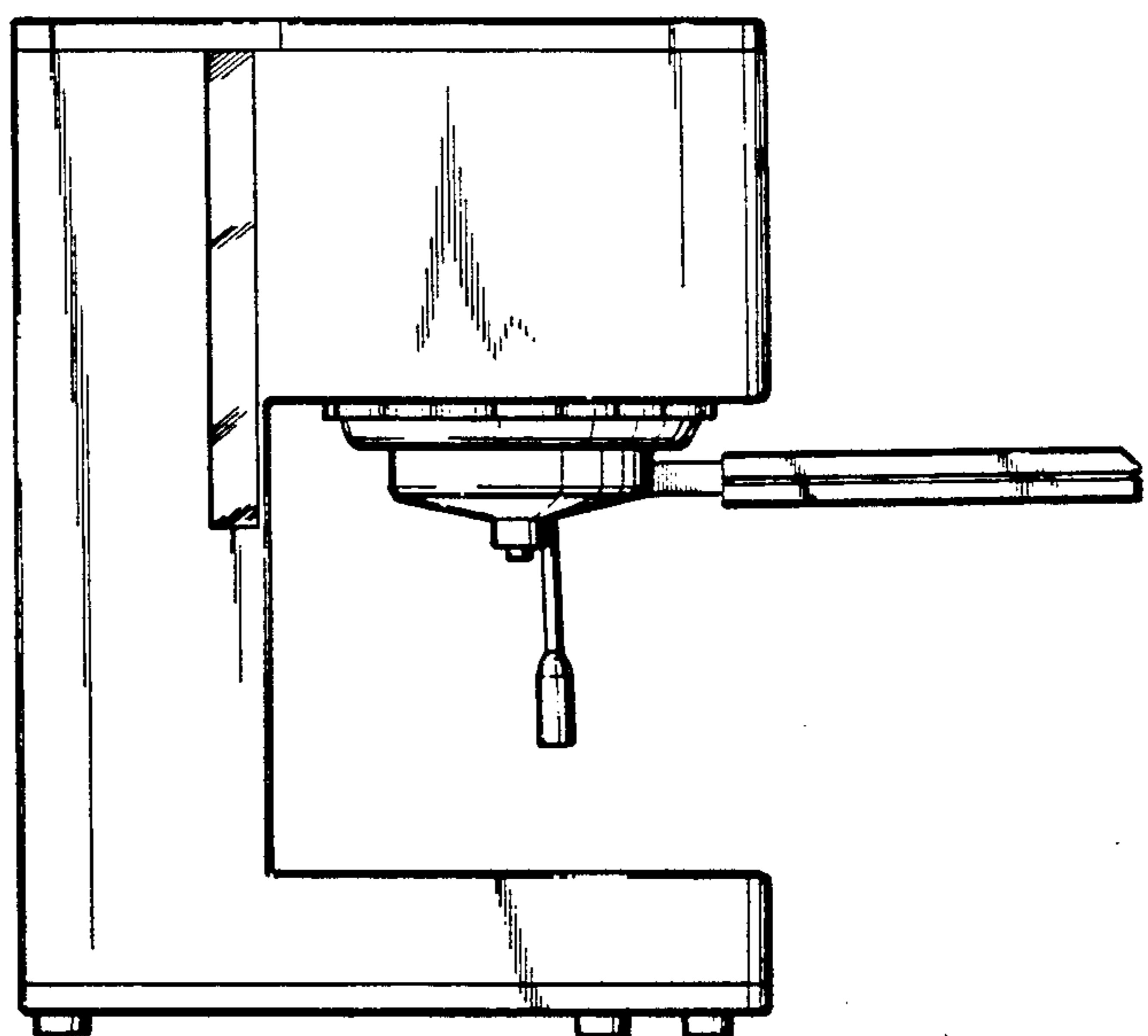
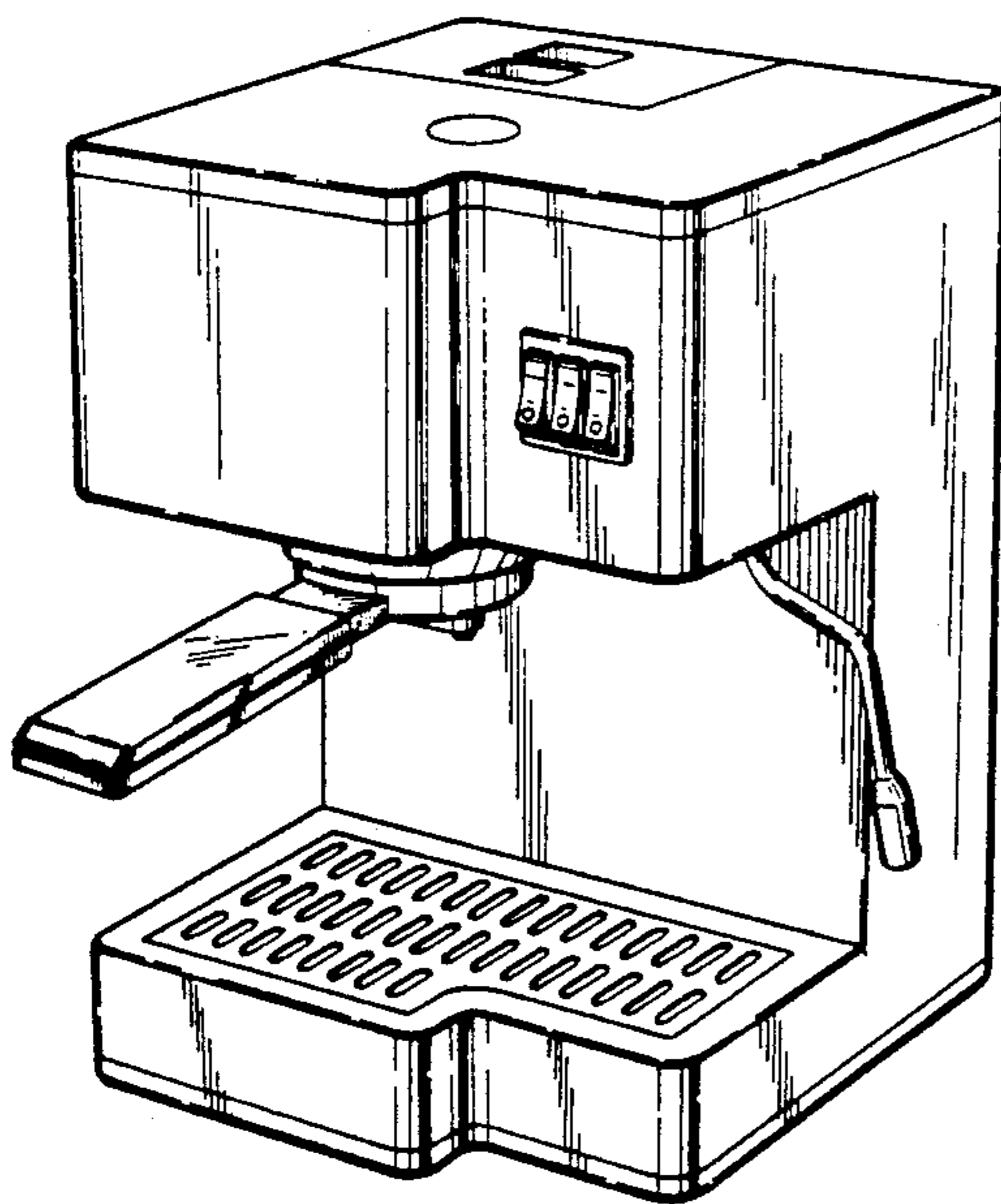
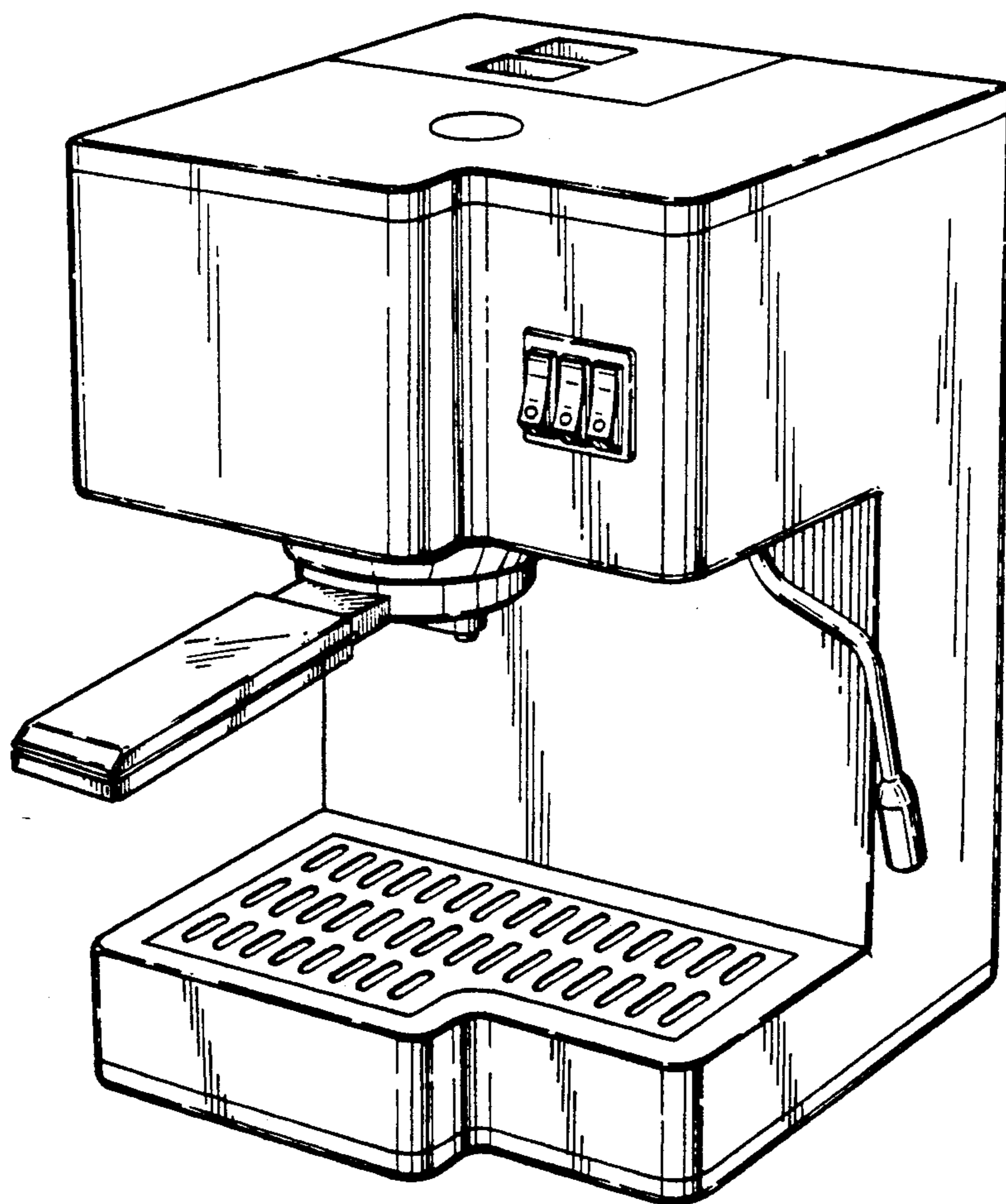


Fig.1.



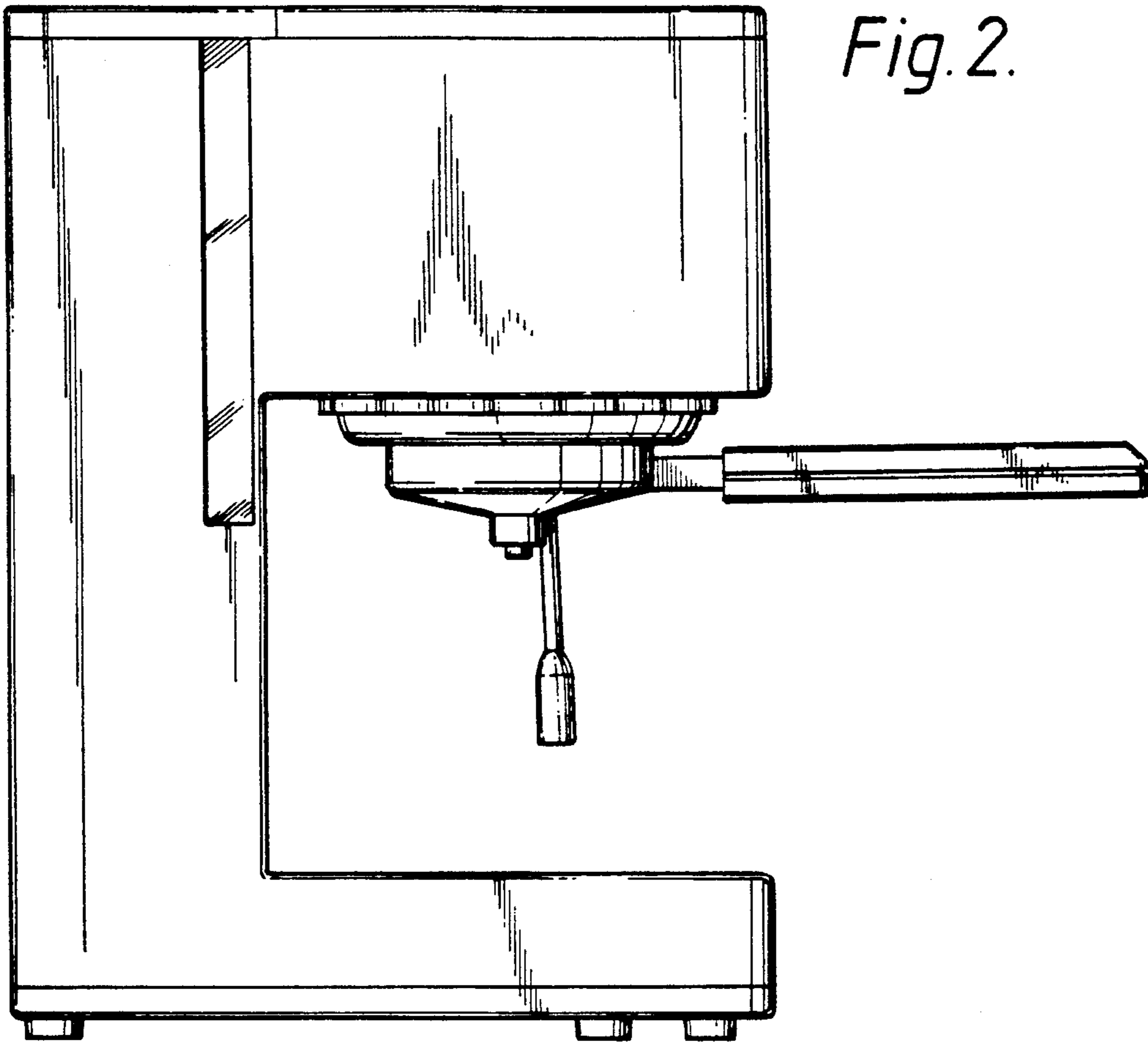


Fig. 2.

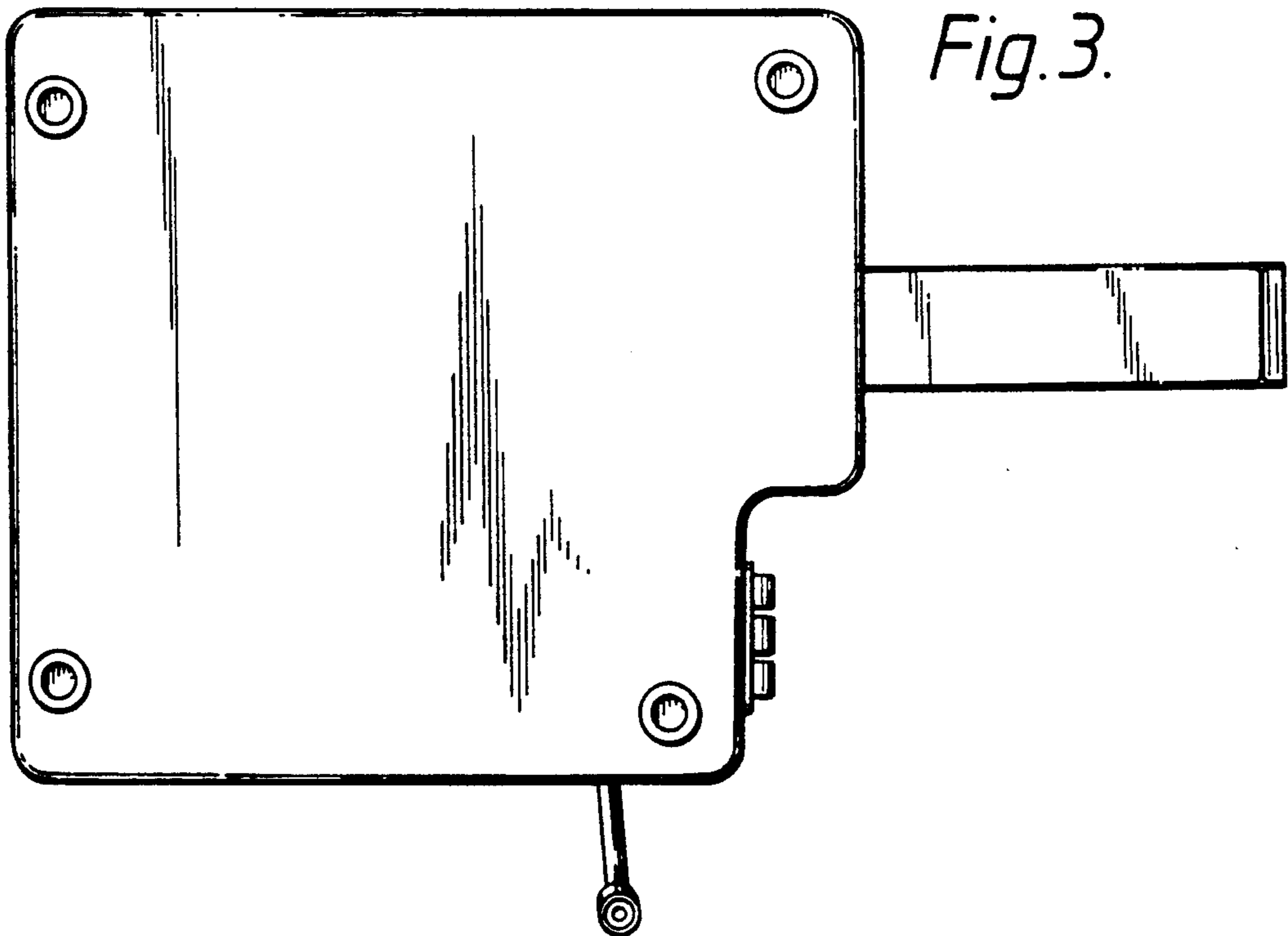


Fig. 3.

Fig. 4.

