



US00D324130S

# United States Patent [19]

[11] Patent Number: **Des. 324,130**

Matsumoto et al.

[45] Date of Patent: **\*\* Feb. 25, 1992**

[54] TREE CLIMBER

3,726,360 4/1973 Price et al. .... 182/134  
4,696,372 9/1987 Fields ..... 192/134

[75] Inventors: **Shinsuke Matsumoto, Oita; Hideo Shibata, Fukuoka, both of Japan**

*Primary Examiner*—A. Hugo Word

*Assistant Examiner*—Doris Clark

[73] Assignee: **Matsumoto Industry Co., Ltd., Fukuoka, Japan**

*Attorney, Agent, or Firm*—Jordan and Hamburg

[\*\*] Term: **14 Years**

[57] **CLAIM**

The ornamental design for a tree climber, as shown and described.

[21] Appl. No.: **413,021**

**DESCRIPTION**

[22] Filed: **Sep. 25, 1989**

[52] U.S. Cl. .... **D2/317; D25/69**

[58] Field of Search ..... **D25/65, 68, 69; 182/90-92, 100, 189, 134; 248/302-303; D12/314, 317**

FIG. 1 is a top plan view of a tree climber showing our new design;

FIG. 2 is a front elevational view thereof;

FIG. 3 is a bottom plan view thereof;

FIG. 4 is a rear elevational view thereof;

FIG. 5 is a left side elevational view thereof;

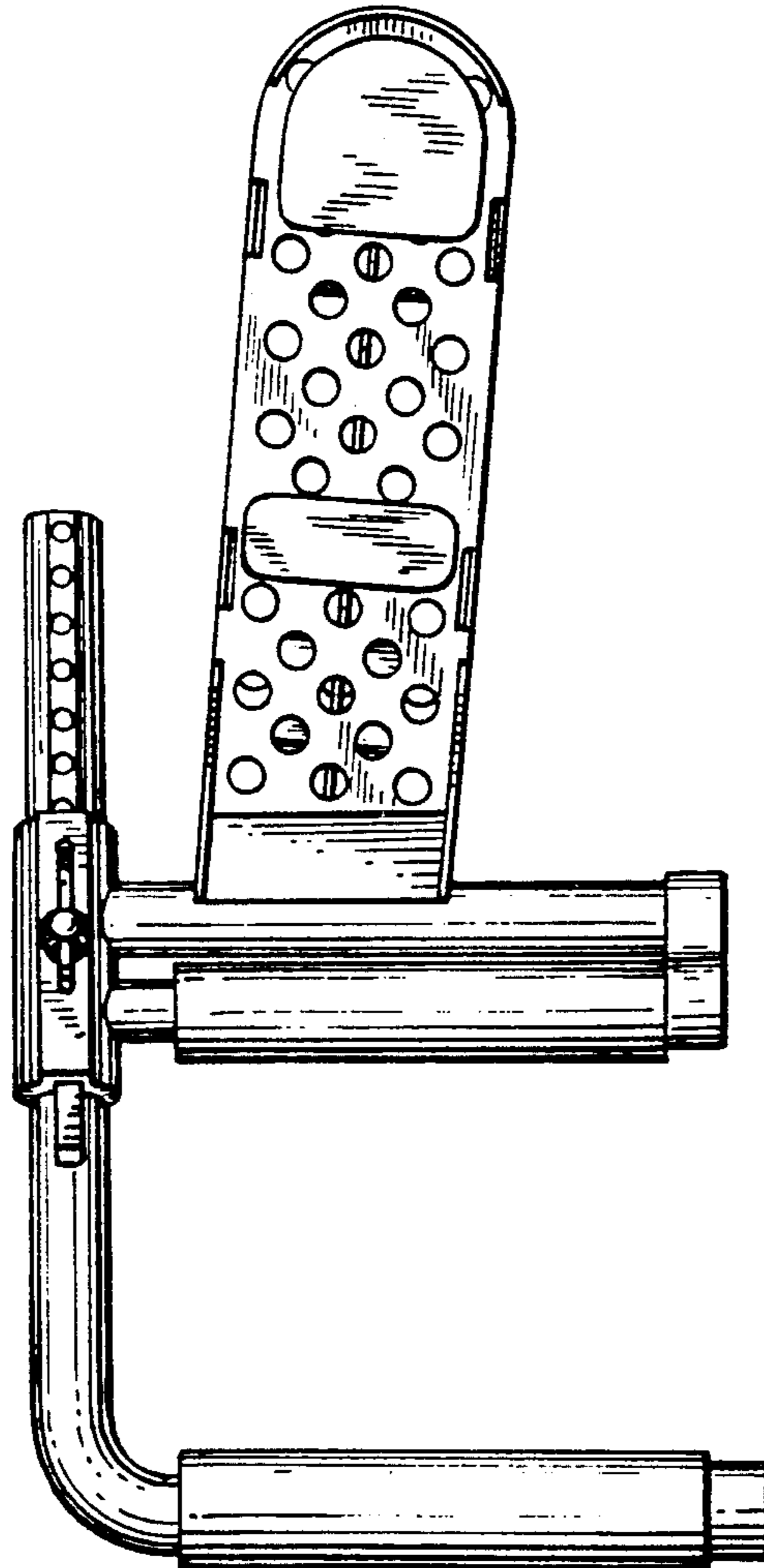
FIG. 6 is a right side elevational view thereof; and

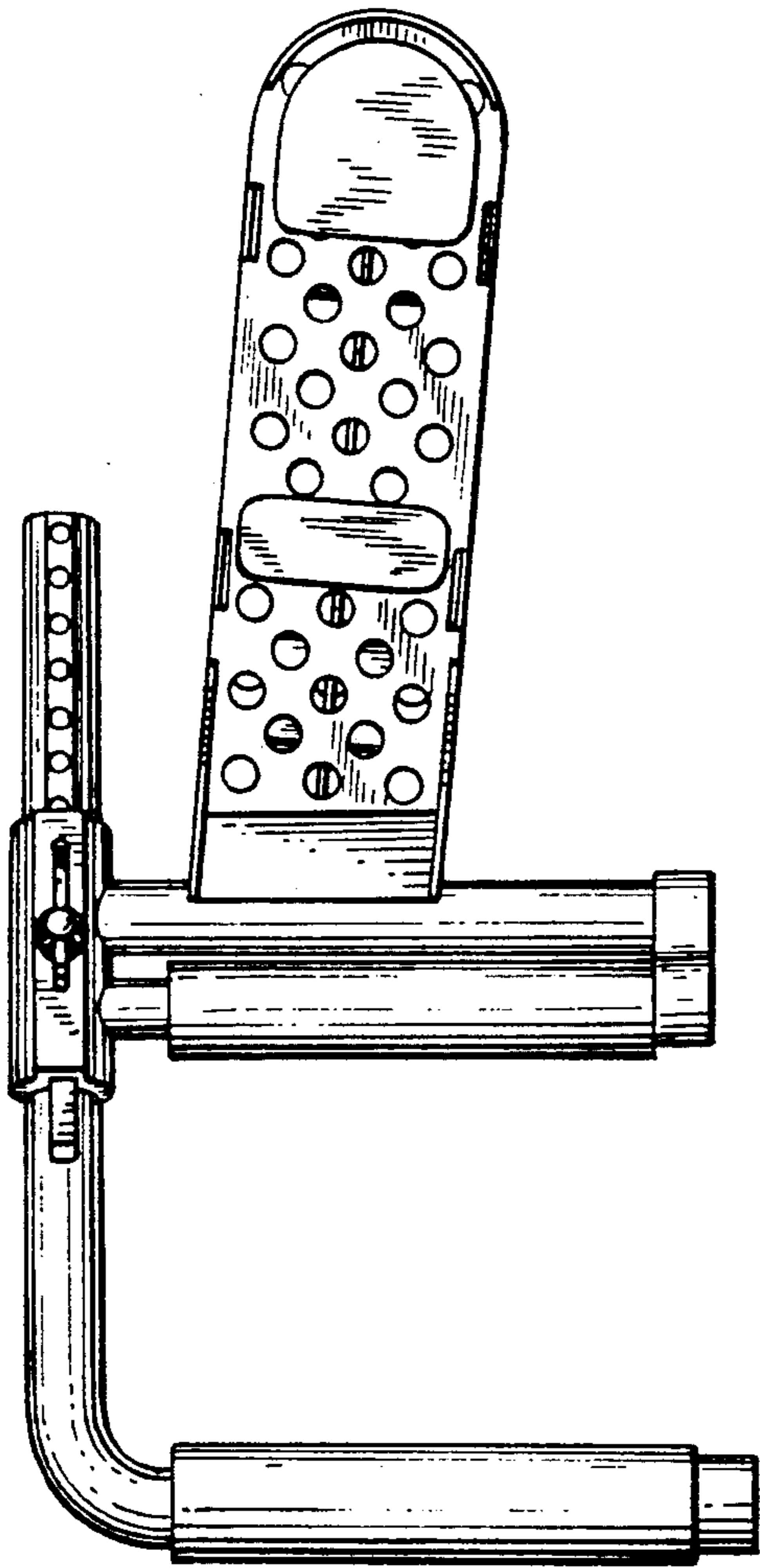
FIG. 7 is a perspective view thereof, the broken line showing of a tree, a tree climber and the operator of the tree climber is for illustrative purposes only and forms no part of the claimed design.

[56] **References Cited**

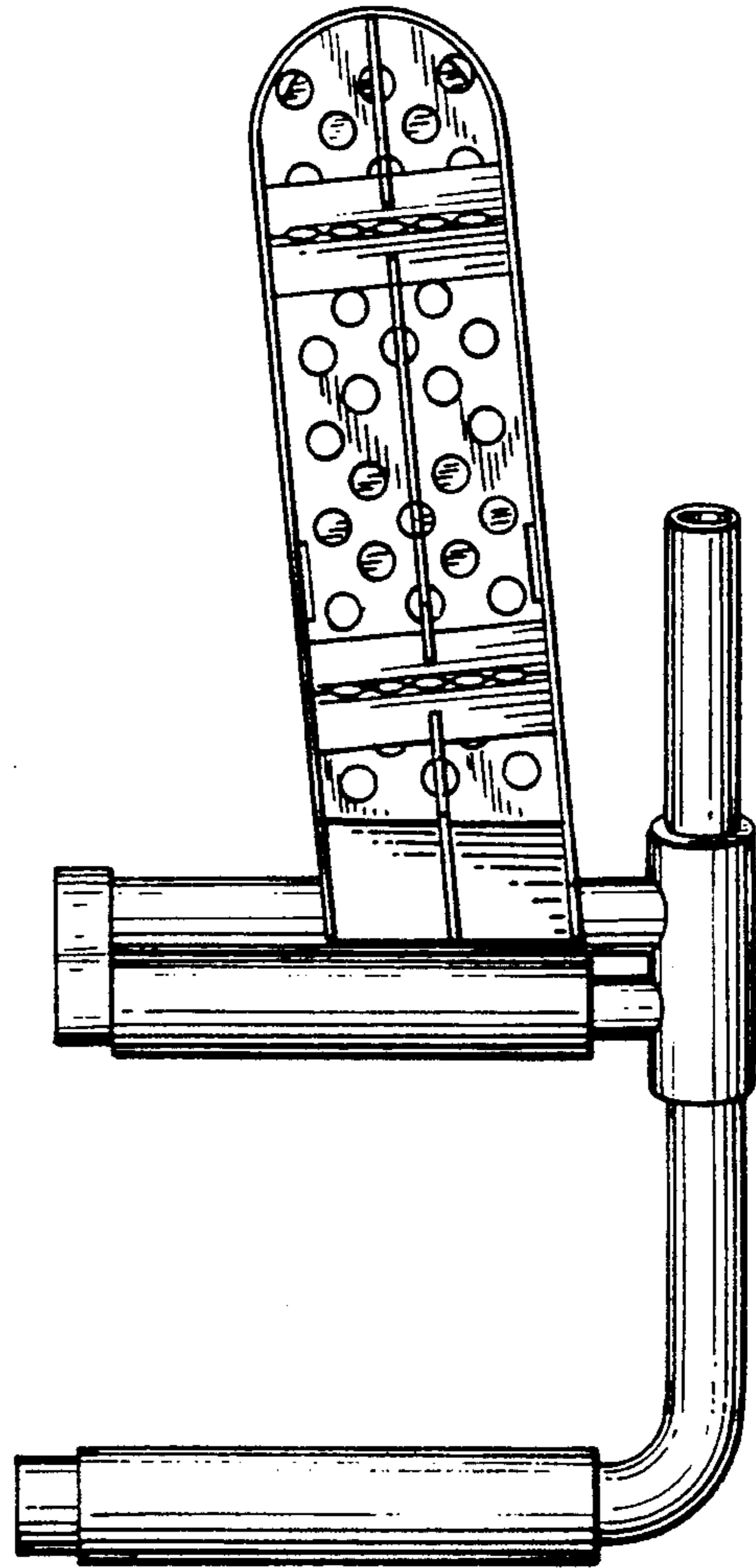
**U.S. PATENT DOCUMENTS**

- D. 228,426 9/1973 Price et al. .... D2/317
- 3,004,622 10/1961 Ringer ..... 182/134
- 3,121,471 2/1964 Soderberg ..... 182/134

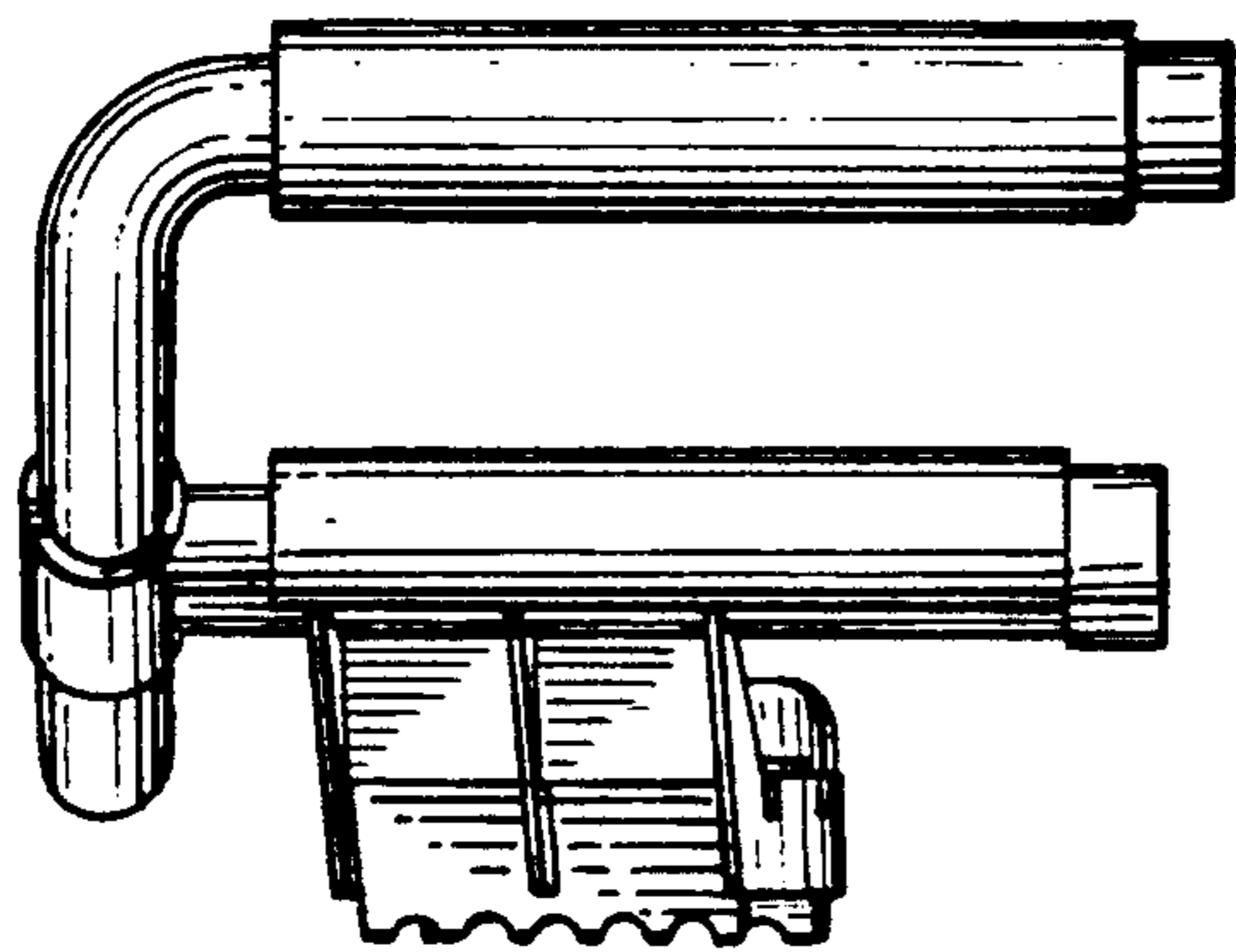




*FIG. 1*

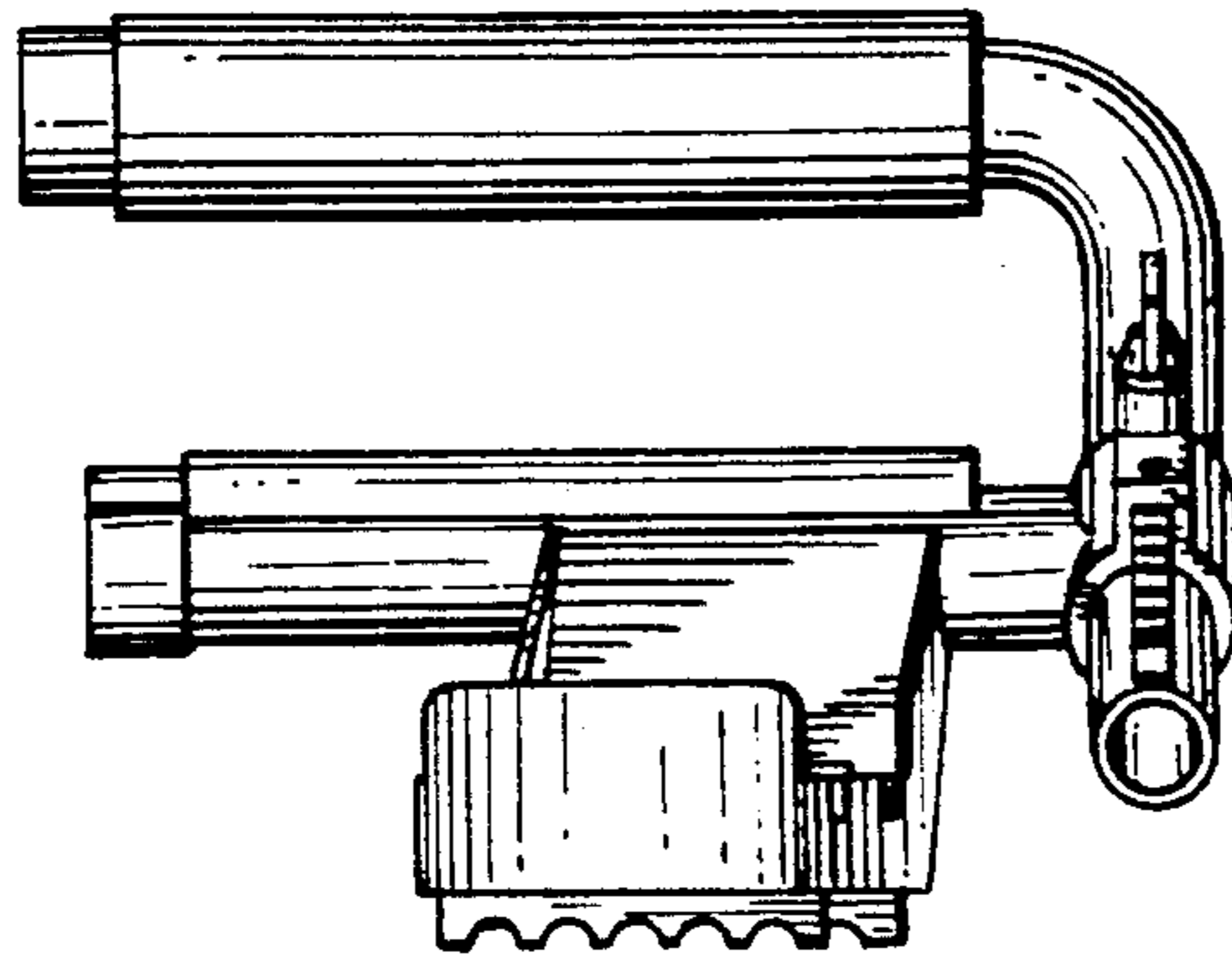


*FIG. 3*

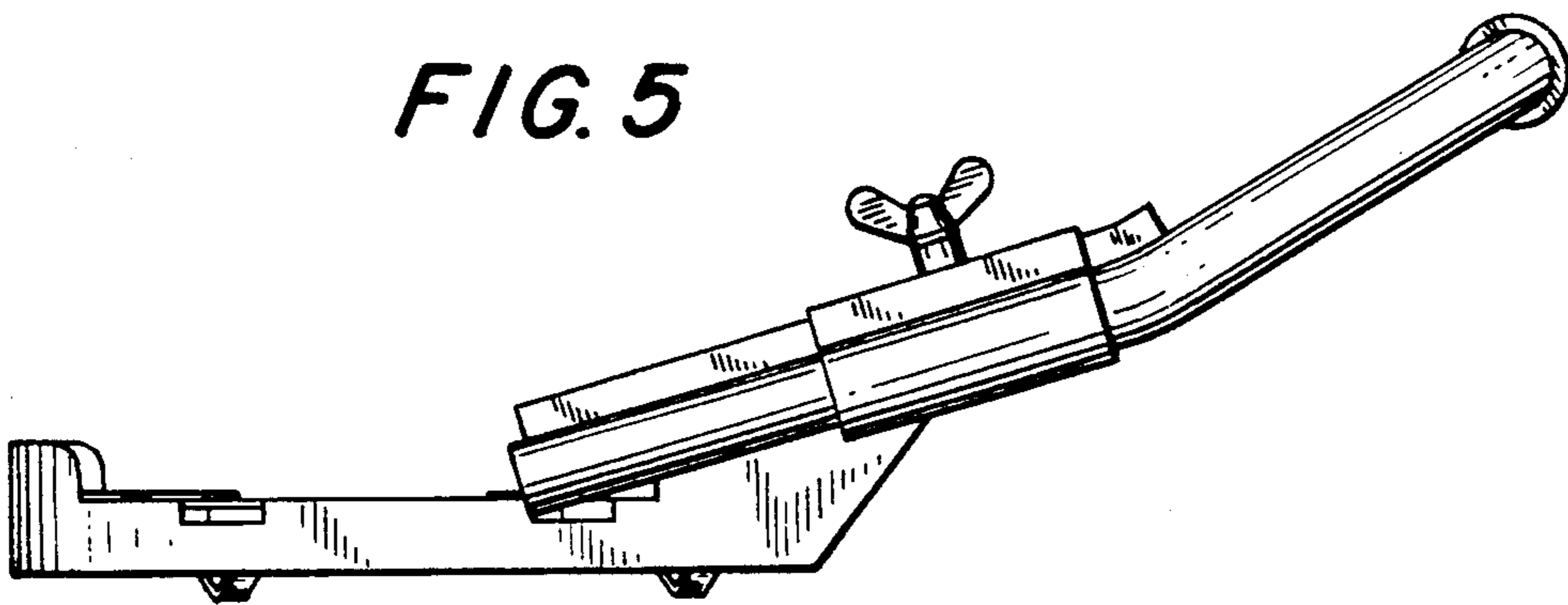


*FIG. 2*

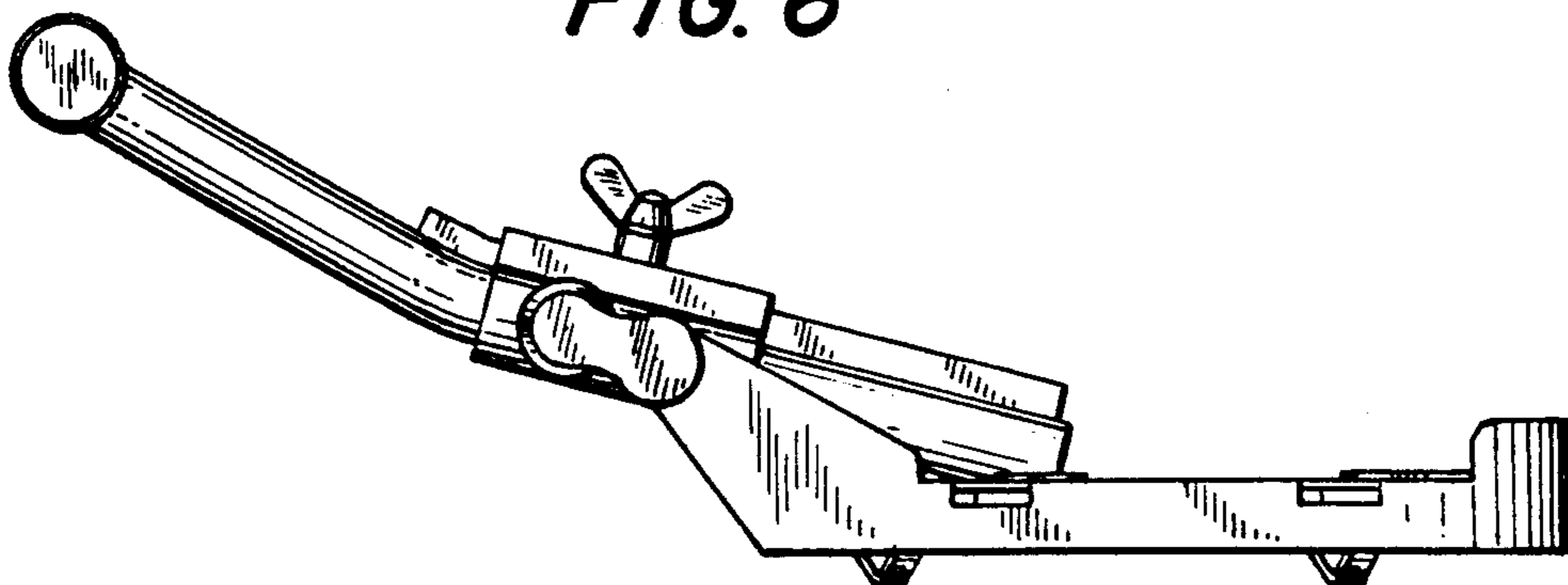
*FIG. 4*

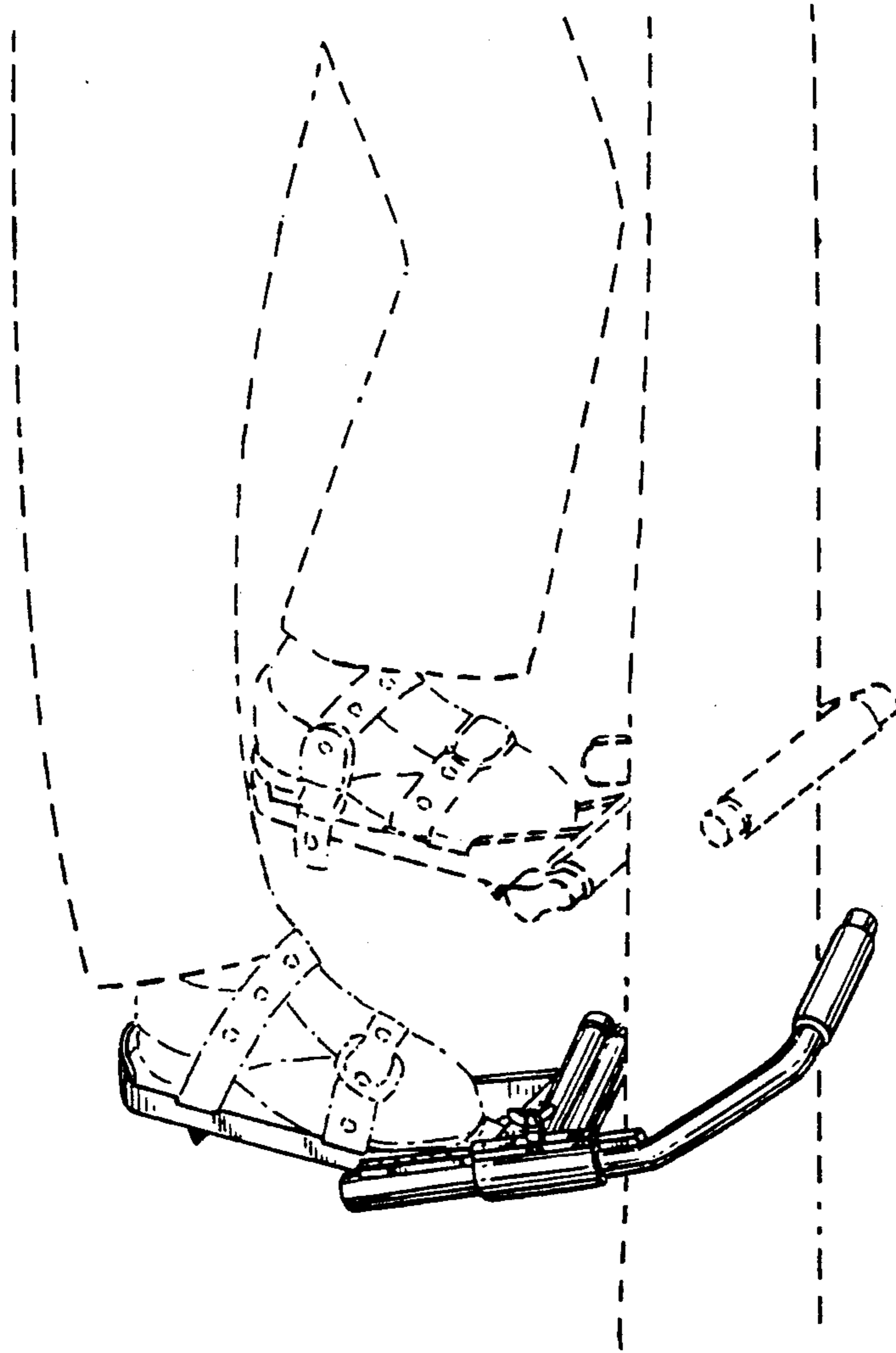


*FIG. 5*



*FIG. 6*





**FIG. 7**