



US00D324129S

United States Patent [19]

[11] Patent Number: **Des. 324,129**

Hatfield

[45] Date of Patent: **** Feb. 25, 1992**

[54] **UPPER FOR A SHOE**

[75] Inventor: **Tinker L. Hatfield, Portland, Oreg.**

[73] Assignees: **Nike, Inc.; Nike International Ltd., both of Beaverton, Oreg.**

[**] Term: **14 Years**

[21] Appl. No.: **505,525**

[22] Filed: **Apr. 6, 1990**

[52] U.S. Cl. **D2/314; D2/275; D2/312**

[58] Field of Search **D2/204, 205, 271-276, D2/308-314; 36/45, 83, 89, 99-106, 132, 112-116, 136**

[56] **References Cited**

U.S. PATENT DOCUMENTS

D. 274,954	8/1984	Bourque	D2/275
D. 277,401	1/1985	Bourque	D2/277
D. 280,567	9/1985	Ji	D2/310
D. 293,500	1/1988	Tong et al.	D2/314
D. 300,983	5/1989	Le	D2/314
D. 305,560	1/1990	Hoshizaki et al.	D2/275 X
569,125	10/1896	Torbert	.	
4,571,856	2/1986	Lin et al.	36/89

OTHER PUBLICATIONS

Air Trainer SC and Air Trainer TW, p. 58, Nike Fall 1989 catalog.

Fatz, p. 78, Nike Fall 1989 catalog.

Takedown XL, p. 112, Nike Fall 1989 catalog.

Air Revolution, p. 28, Nike Spring 1989 catalog.
Lahar and Lava High, p. 80, Nike Spring 1989 catalog.
Air Revolution and Alpha Force High, p. 118, Nike Fall 1988 catalog.

Cross Fire, p. 128, Nike Fall 1988 catalog.

Vandal, p. 54, Nike Spring 1986 catalog.

Double Team High, p. 24, Nike Fall 1986 catalog.

Airship HI and Air Train HI, p. 25, Nike Footwear catalog 1985.

Primary Examiner—Louis S. Zarfes

Attorney, Agent, or Firm—Banner, Birch, McKie & Beckett

[57] CLAIM

The ornamental design for an upper for a shoe, as shown and described.

DESCRIPTION

FIG. 1 is a side elevational view of one side of an upper for a shoe showing my new design;

FIG. 2 is a side elevational view of the other side of the upper for a shoe as shown in FIG. 1;

FIG. 3 is a front elevational view of the upper for a shoe as shown in FIG. 1;

FIG. 4 is a rear elevational view of the upper for a shoe as shown in FIG. 1; and

FIG. 5 is a top plan view of the upper for a shoe as shown in FIG. 1.

The broken line showing of a sole FIGS. 1-4 is for illustrative purposes only and forms no part of the claimed design.

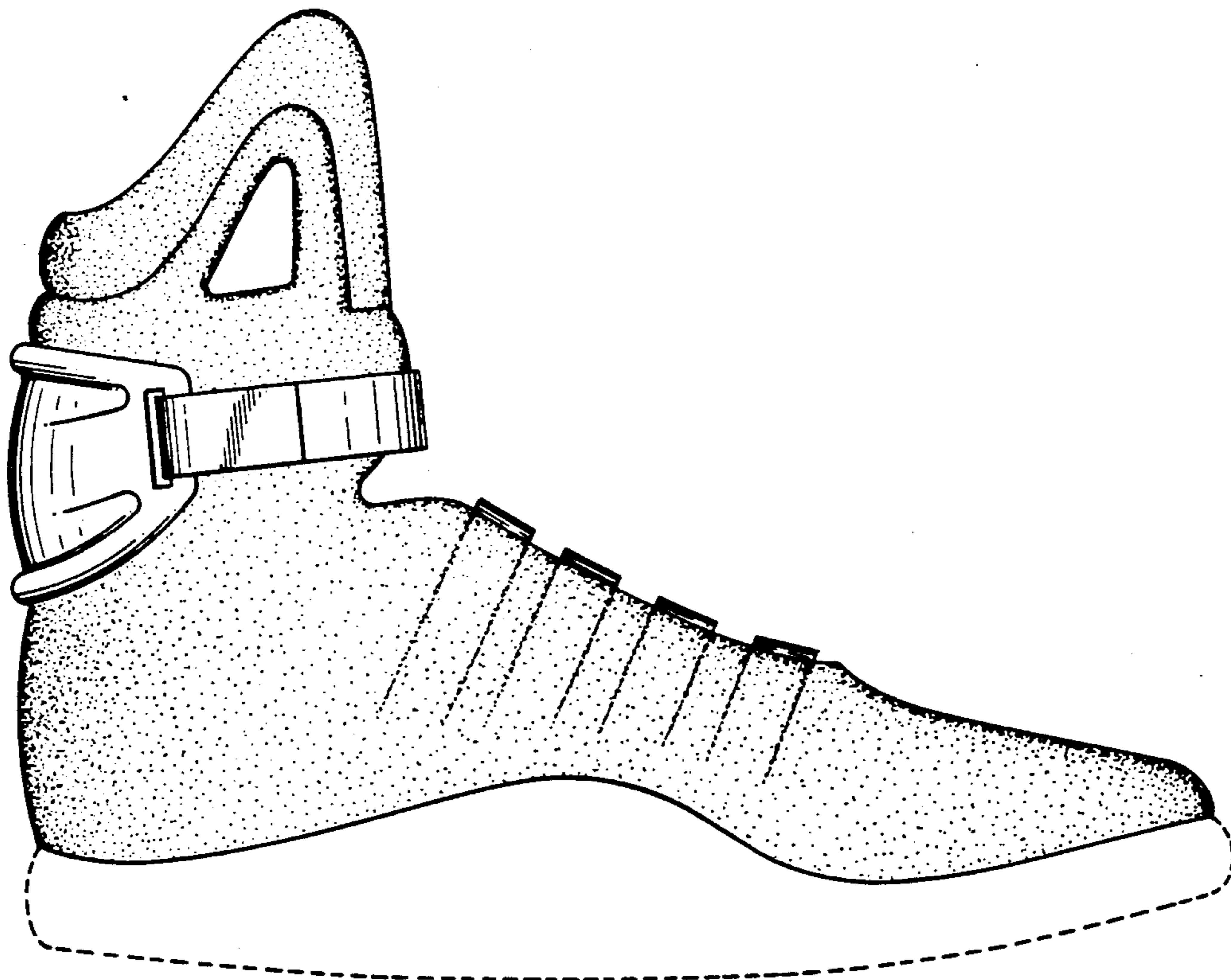
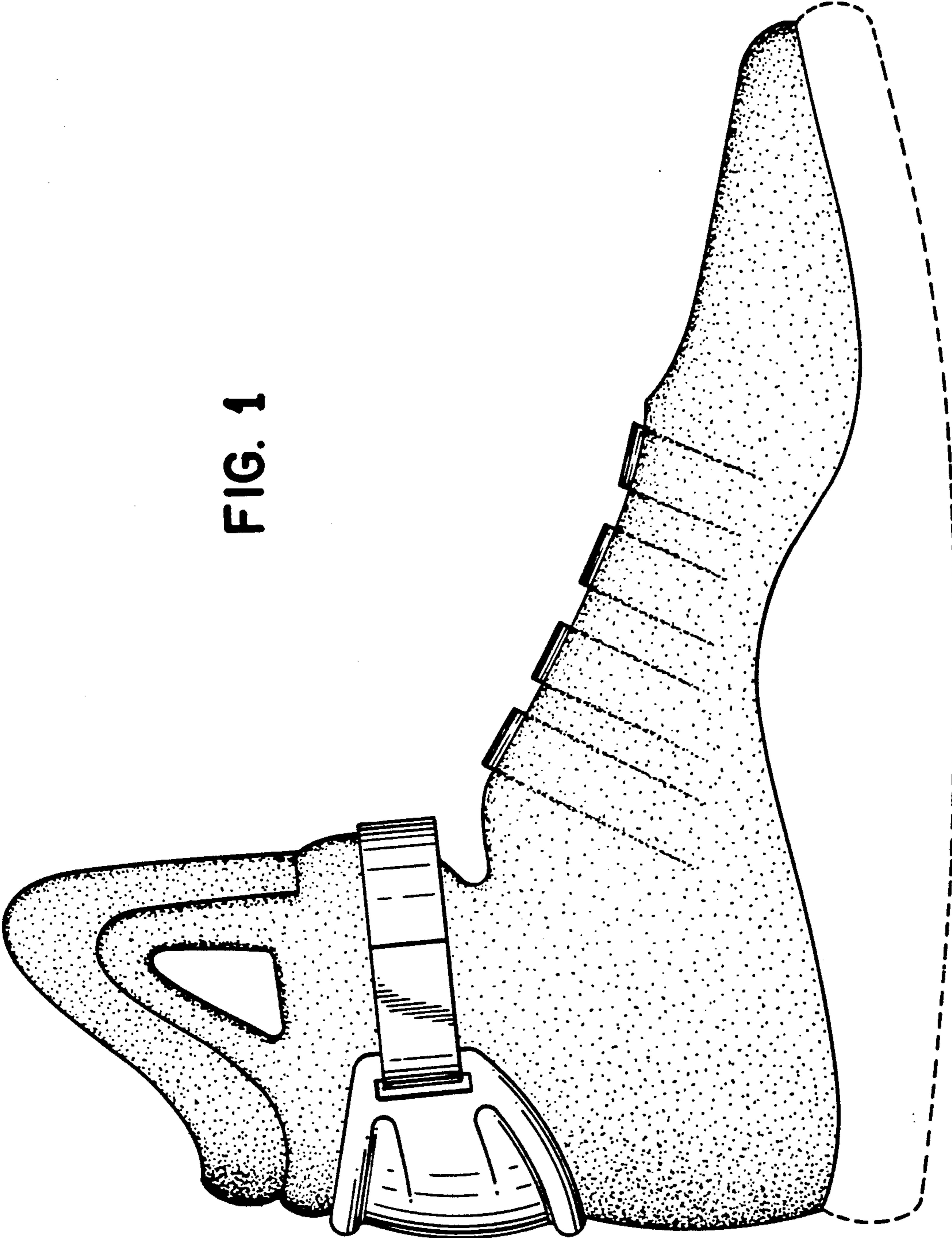


FIG. 1



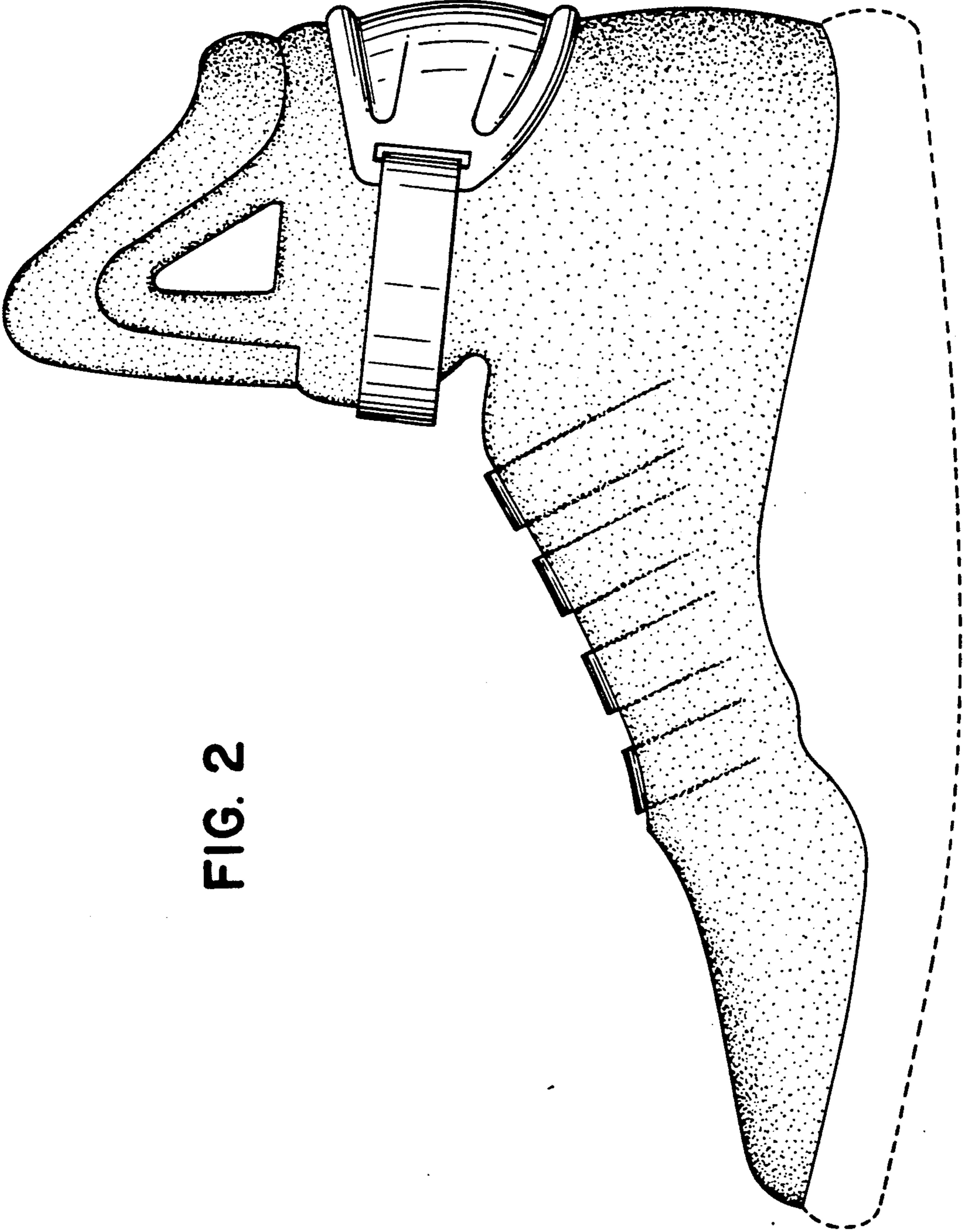


FIG. 2

FIG. 4

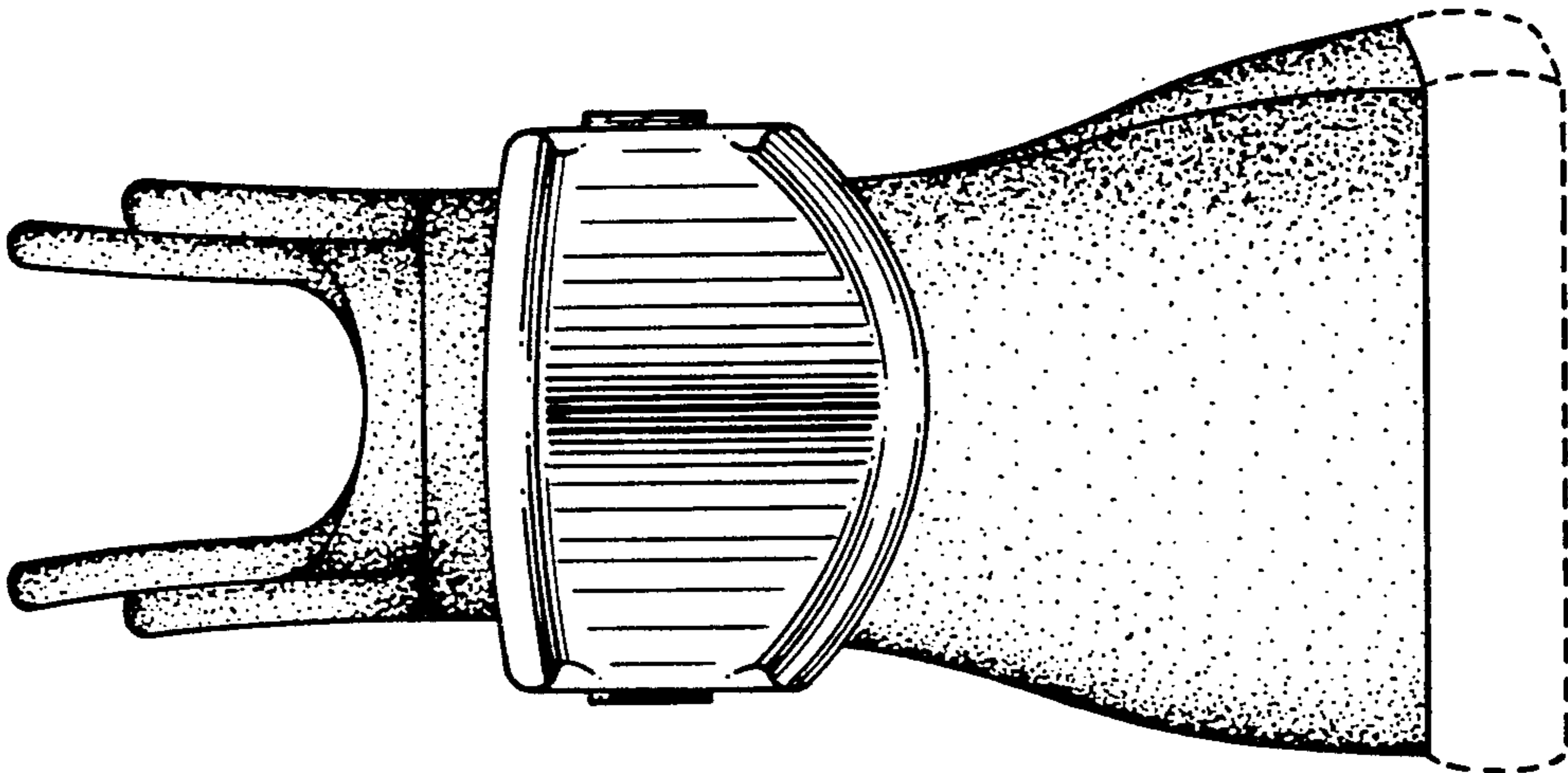


FIG. 3

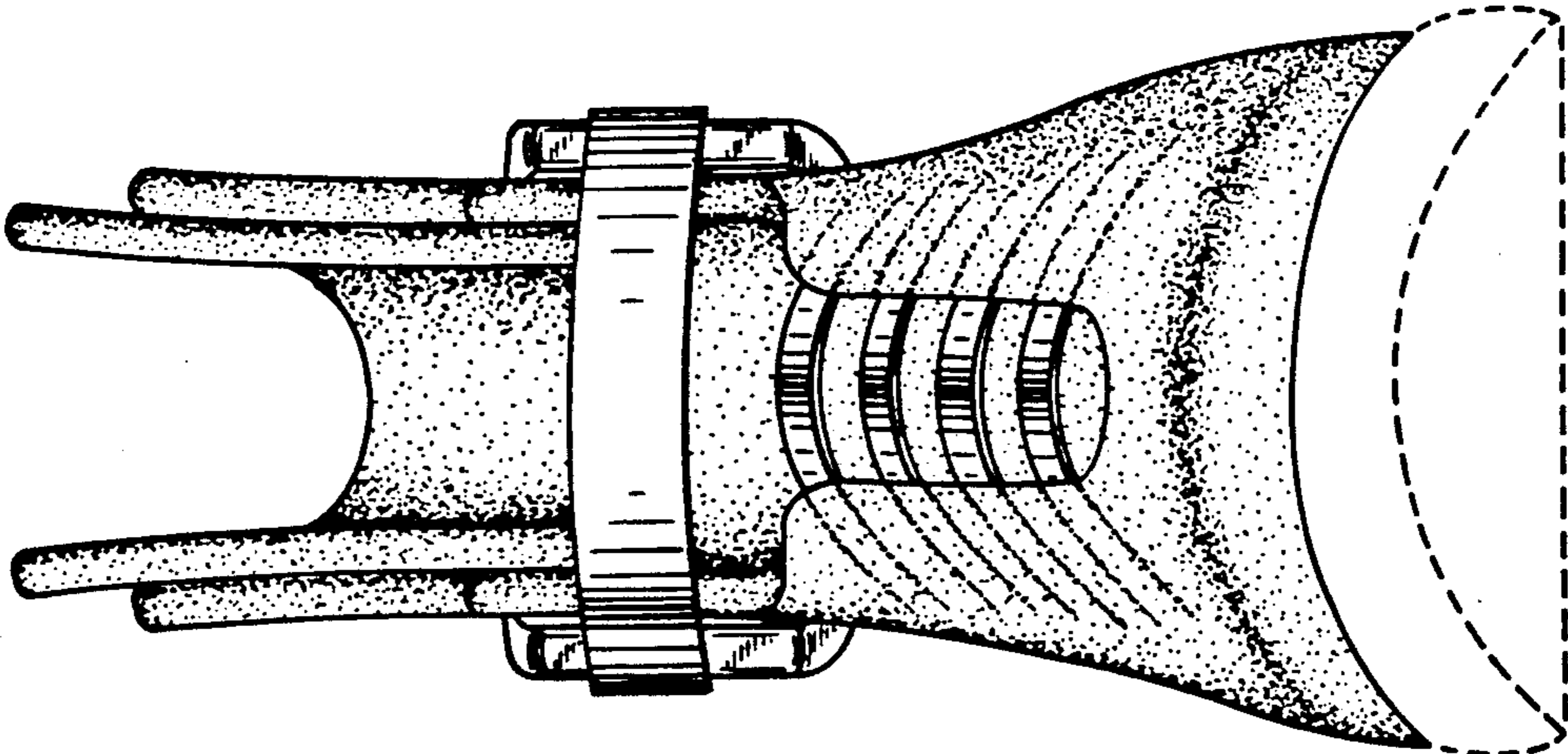


FIG. 5

