



US00D324119S

# United States Patent [19]

[11] Patent Number: Des. 324,119

McKalsen, Jr.

[45] Date of Patent: \*\* Feb. 18, 1992

[54] MULTIPLE COMPARTMENT TRASH CONTAINER

4,750,639 6/1988 Scharer .  
4,874,111 10/1989 Heller .  
4,988,010 1/1991 Pollak ..... 220/909

[76] Inventor: Arthur D. McKalsen, Jr., Rd #3 Co #14 Box 340A, Fulton, N.Y. 13069

### FOREIGN PATENT DOCUMENTS

[\*\*] Term: 14 Years

844884 5/1939 France .  
1432326 2/1966 France .

[21] Appl. No.: 607,492

Primary Examiner—Kay H. Chin  
Attorney, Agent, or Firm—Terry M. Gernstein

[22] Filed: Nov. 1, 1990

[52] U.S. Cl. .... D34/7; D34/11;  
D6/446; D6/440

### [57] CLAIM

[58] Field of Search ..... D34/1, 7, 11; 220/908, 220/909, 910, 500, 524, 23.8, 23.4; 312/107; D6/440, 445, 446, 448; 232/1 R, 43.2

The ornamental design for a multiple compartment trash container, as shown and described.

### DESCRIPTION

### [56] References Cited

#### U.S. PATENT DOCUMENTS

D. 247,087 1/1978 Dickinson .  
D. 292,034 9/1987 Perkinson .  
D. 310,744 9/1990 Fletcher et al. .... D34/1  
431,058 7/1890 Kaufmann ..... 220/500  
1,036,358 8/1912 Skinner ..... 220/524  
4,015,886 4/1977 Wickenberg ..... 312/107

FIG. 1 is a top, front side perspective view of a multiple compartment trash container showing my new design; FIG. 2 is a front elevational view thereof; FIG. 3 is a rear elevational view thereof; FIG. 4 is a side elevational view thereof, the opposite side view being a mirror image of that shown; FIG. 5 is a top plan view thereof; and FIG. 6 is a bottom plan view thereof.

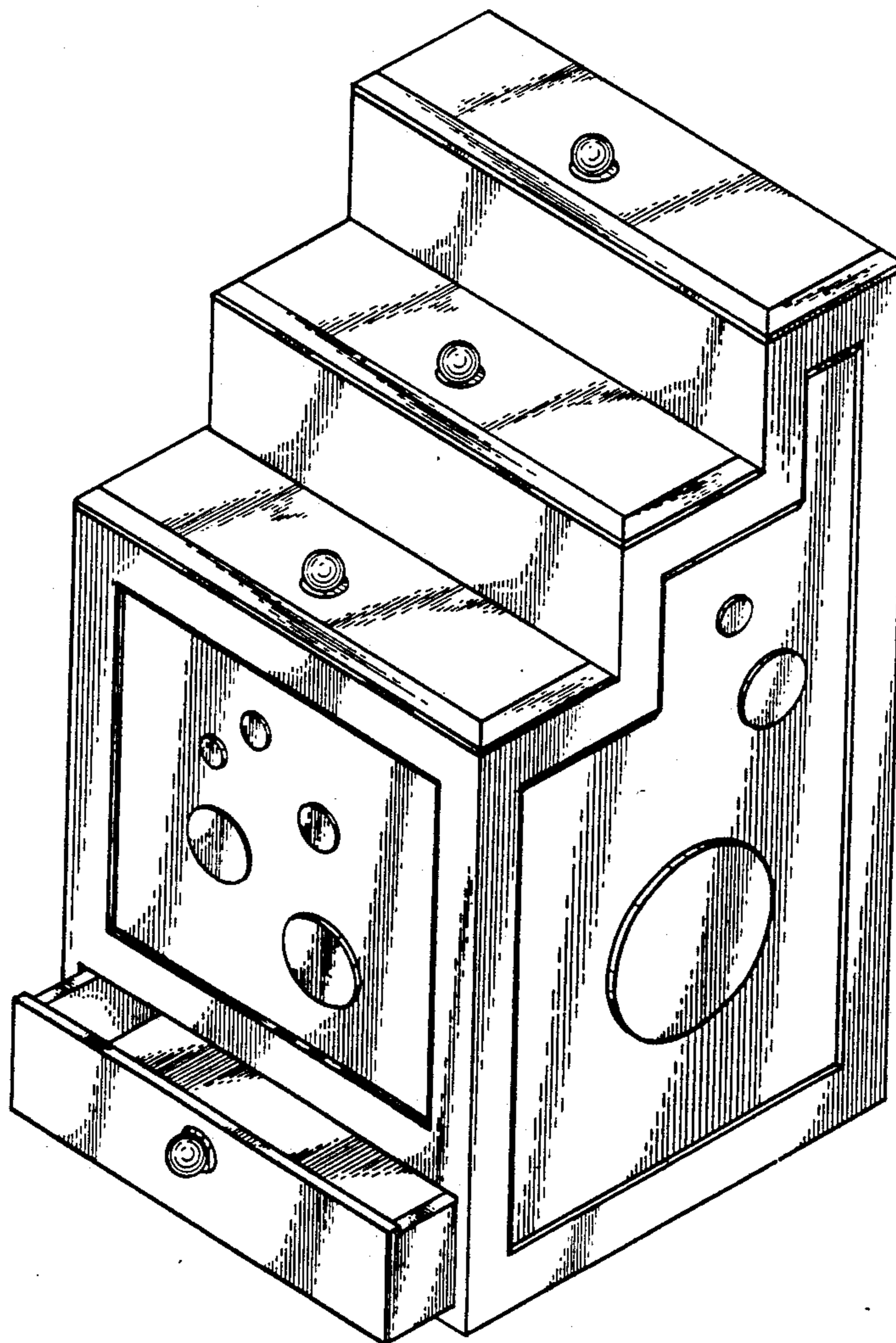
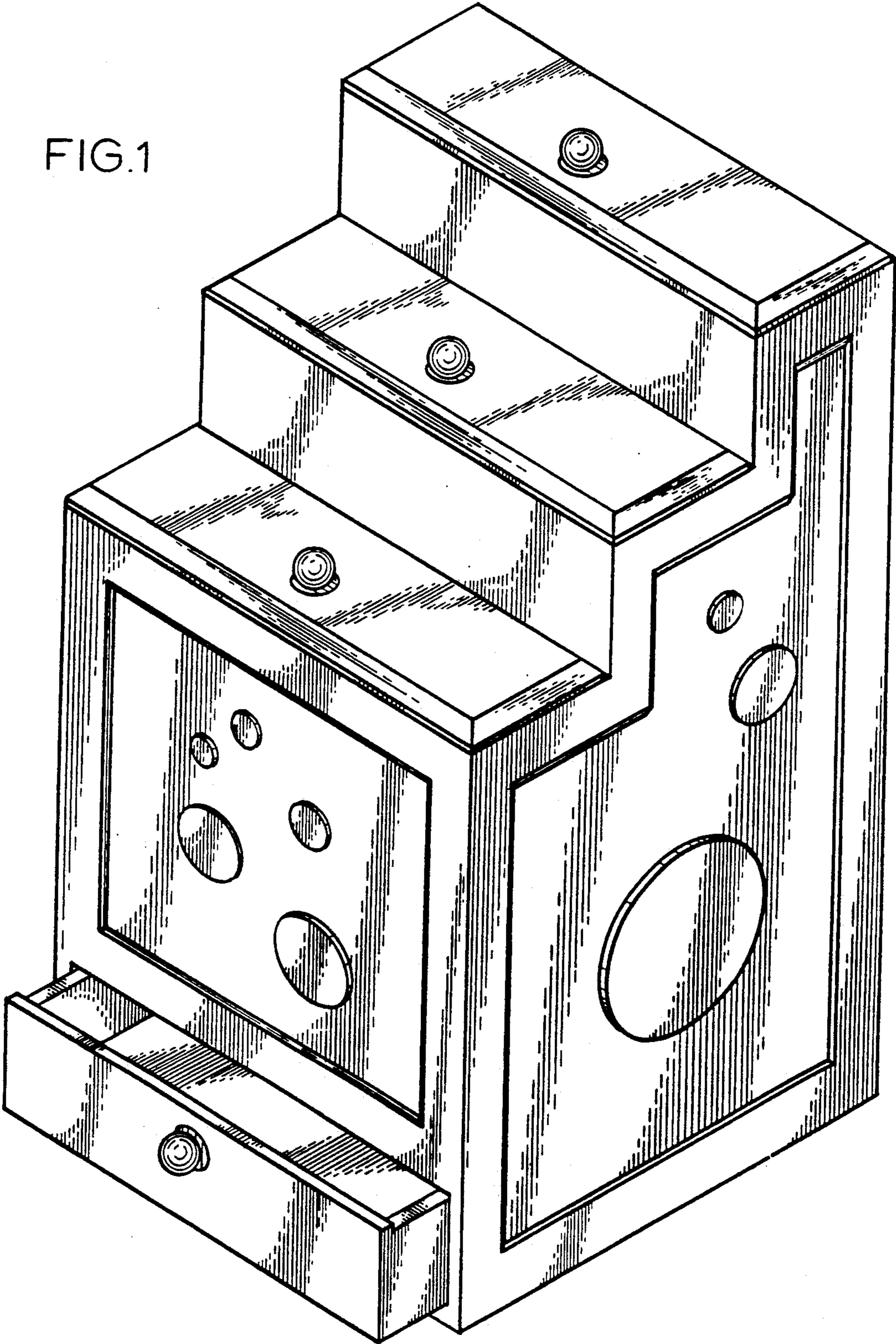


FIG.1



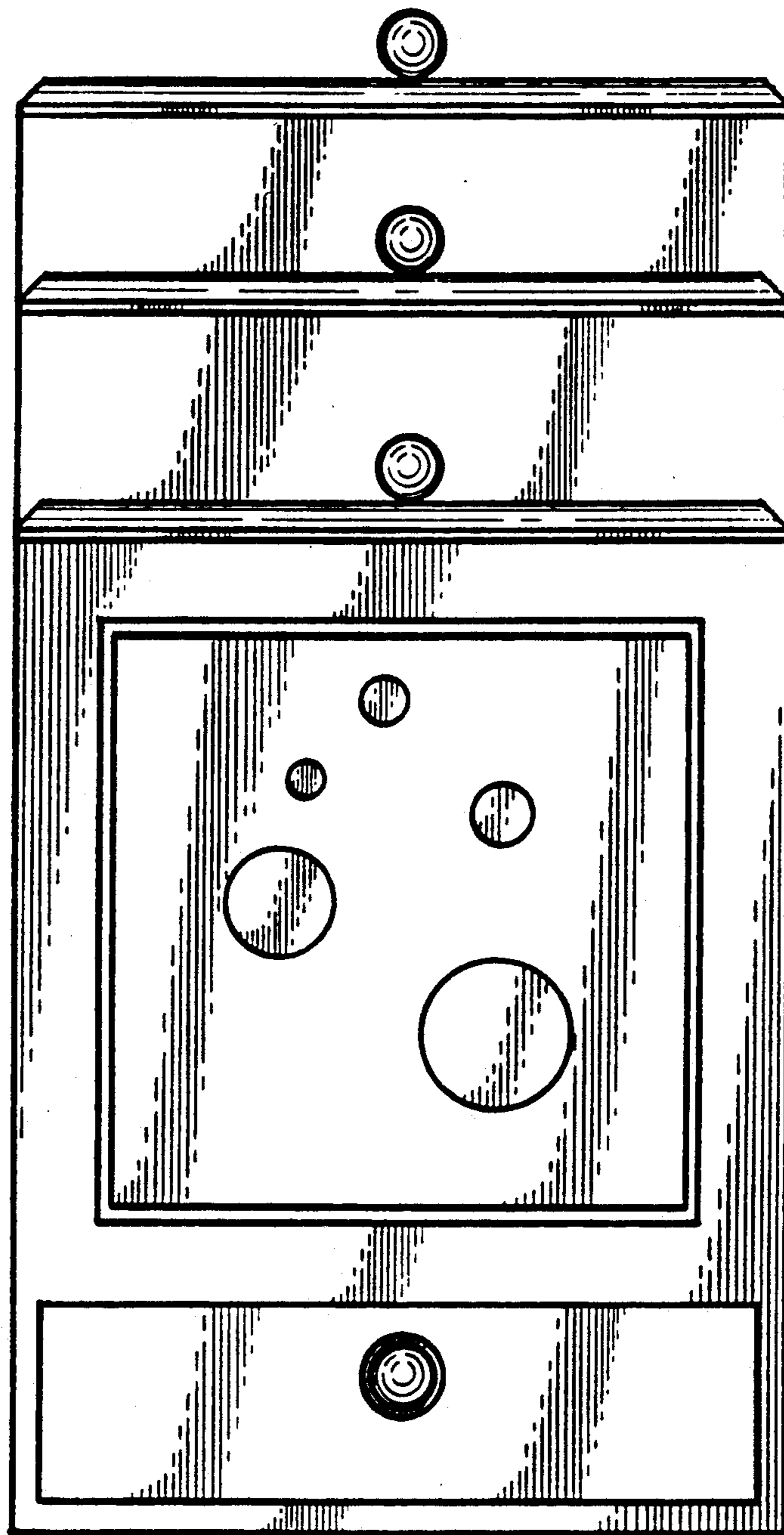


FIG. 2



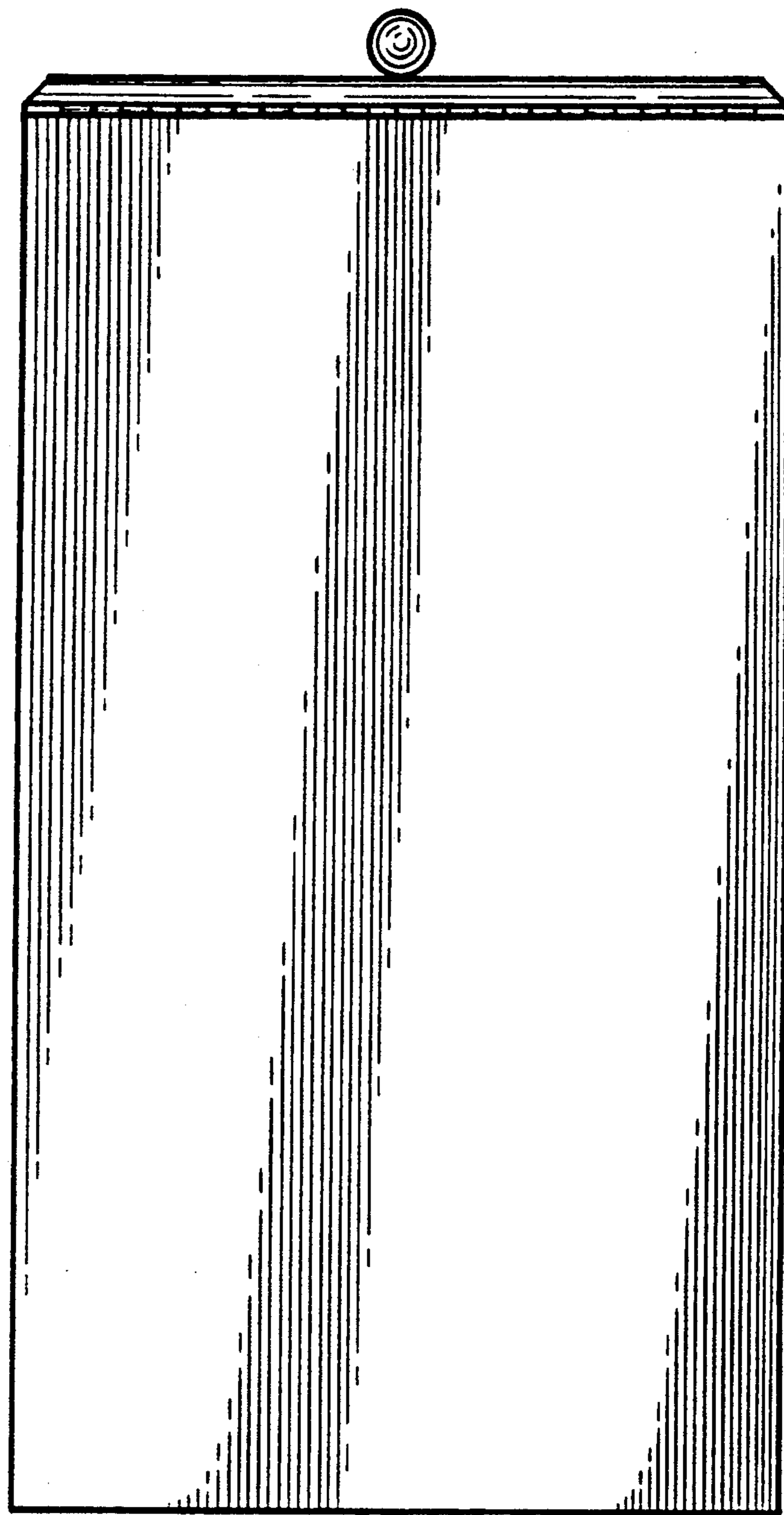


FIG. 3

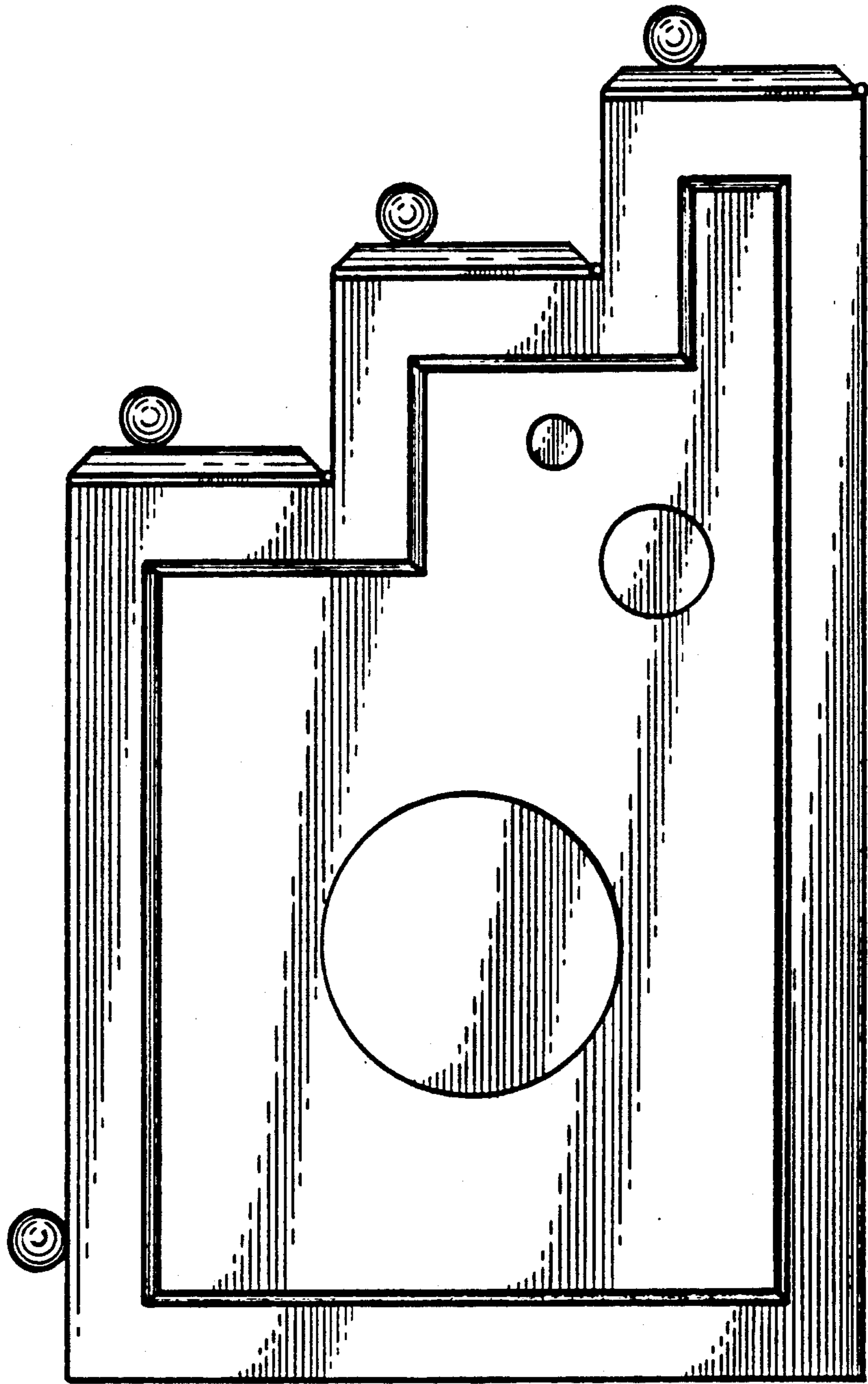


FIG. 4

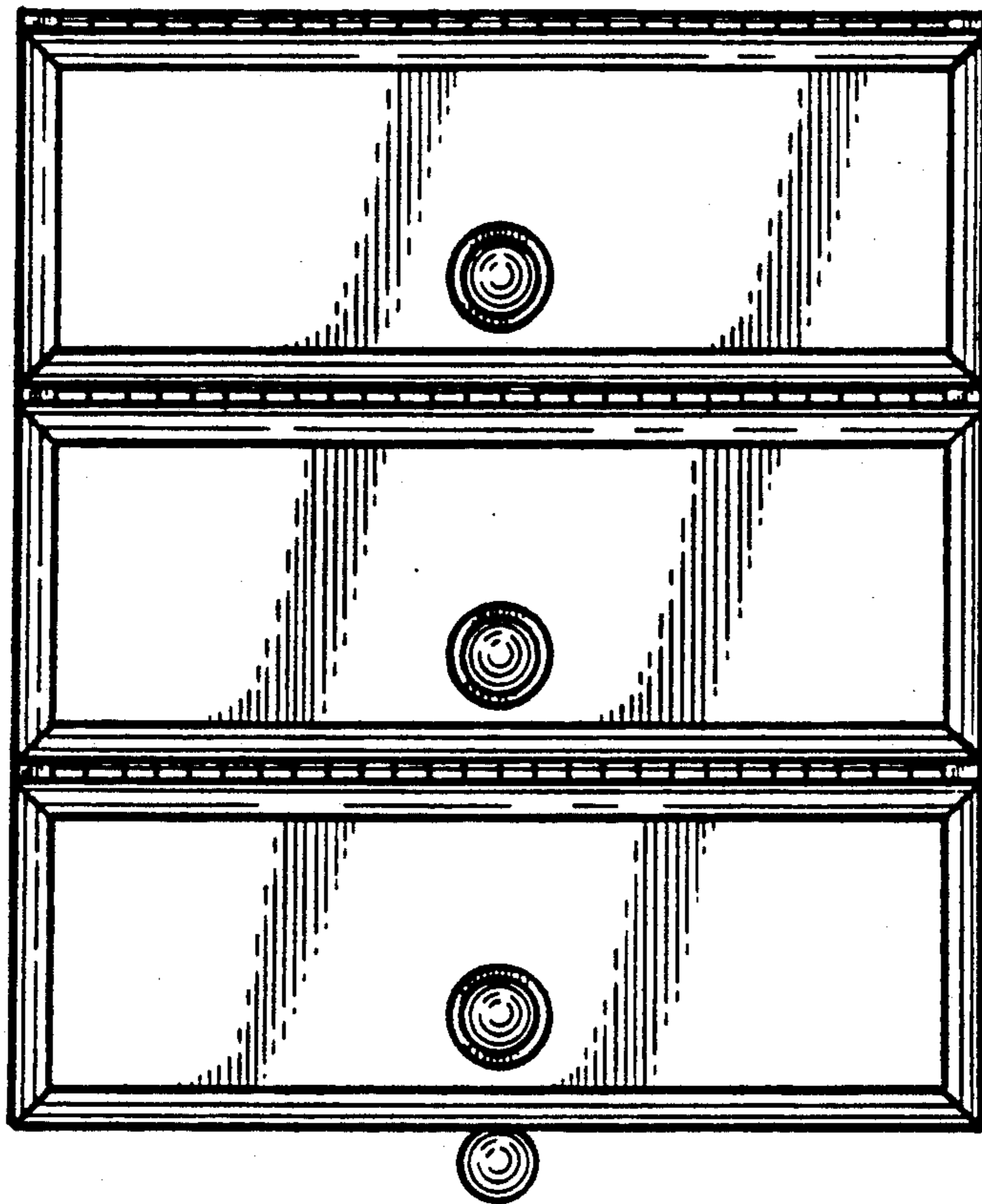


FIG. 5

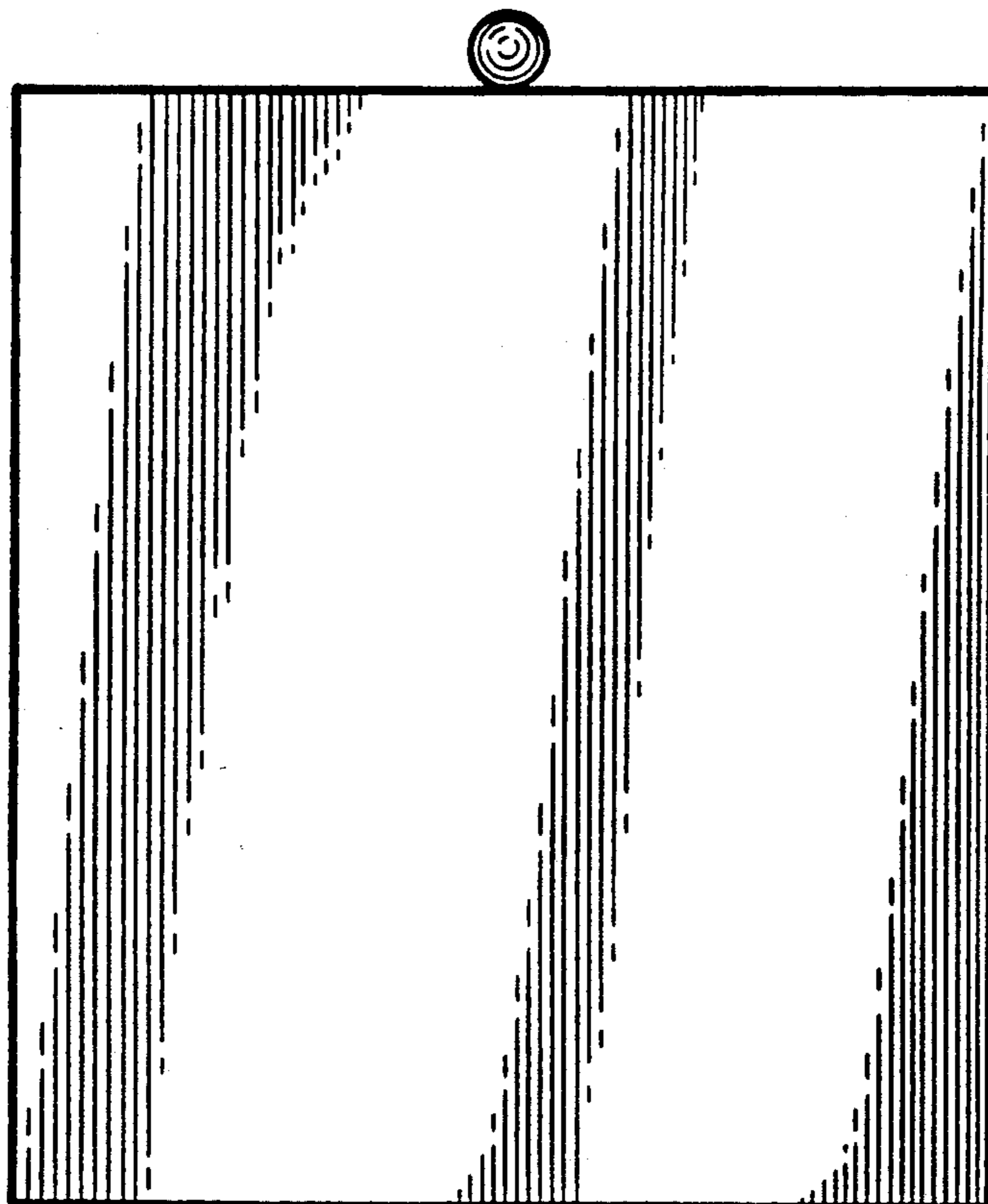


FIG. 6