



US00D324118S

United States Patent [19]

[11] Patent Number: **Des. 324,118**

Martin

[45] Date of Patent: **** Feb. 18, 1992**

[54] **BUCKET FOR COLLECTING LIQUID FROM A FLOOR SURFACE**

3,534,424 10/1970 Levinson 15/105
3,671,995 6/1972 Carr 15/257.1
3,861,730 1/1975 Ringo 15/257.1 X

[76] Inventor: **James S. Martin, 2607 Kennedy Rd., Janesville, Wis. 53545**

Primary Examiner—Wallace R. Burke
Assistant Examiner—Lavone D. Tabor
Attorney, Agent, or Firm—Norman B. Rainer

[**] Term: **14 Years**

[21] Appl. No.: **225,140**

[57] **CLAIM**

[22] Filed: **Jul. 28, 1988**

The ornamental design for a bucket for collecting liquid from a floor surface, as shown and described.

[52] U.S. Cl. **D32/53; D32/74**

[58] Field of Search **D32/35, 53, 53.1, 54, D32/74; 15/257.1-257.9; 141/108-109**

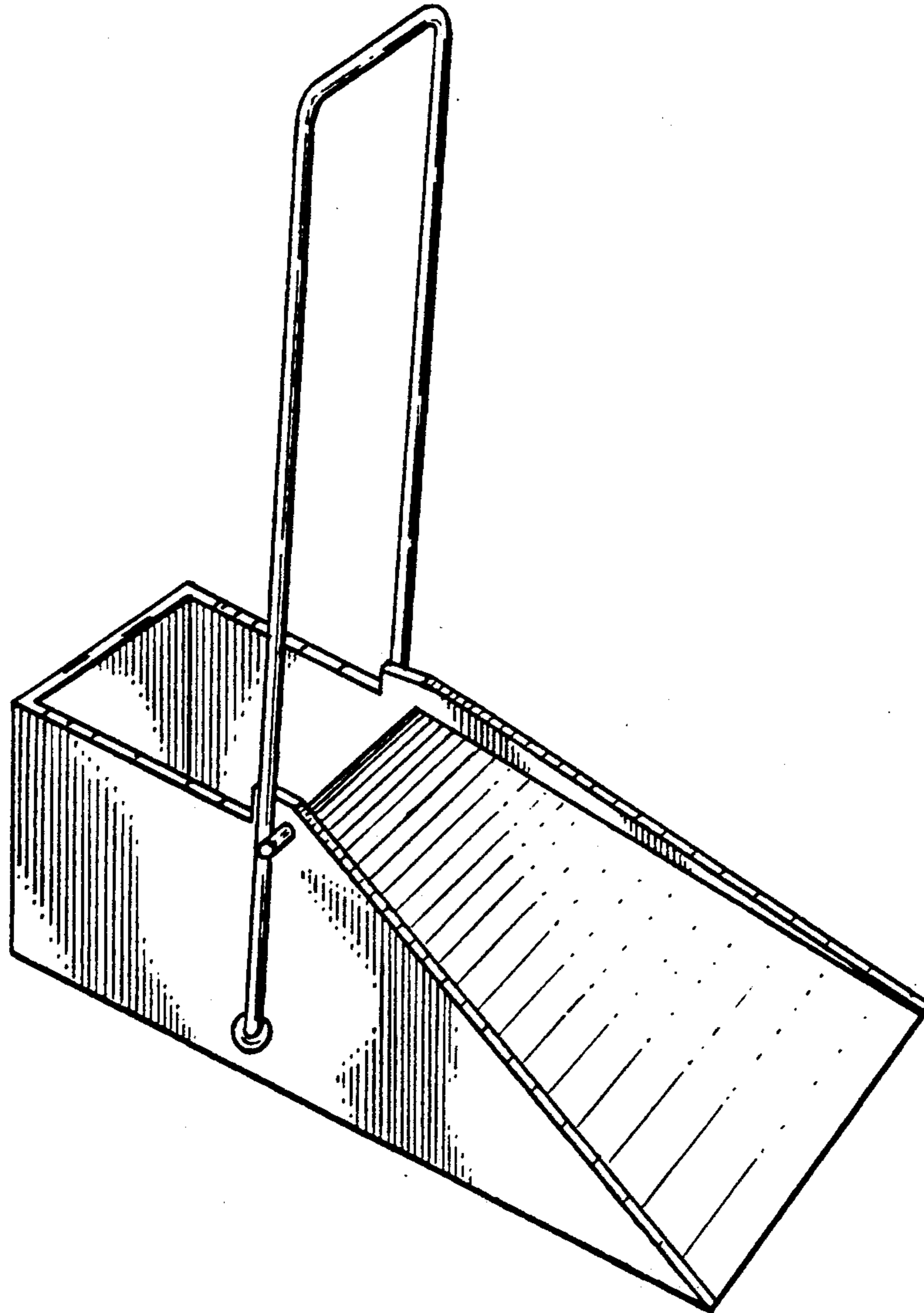
DESCRIPTION

[56] **References Cited**

FIG. 1 is a top plan view of a bucket for collecting liquid from a floor surface showing my new design; FIG. 2 is a side elevational view thereof, the opposite side being a mirror image; FIG. 3 is a front elevational view thereof; and FIG. 4 is a perspective view thereof. The broken line showing of a squeegee is for illustrative purposes only and forms no part of the claimed design.

U.S. PATENT DOCUMENTS

D. 254,286	2/1980	Daniel	D32/74
1,188,677	6/1916	Pike	15/257.6
1,748,336	2/1930	Finnell	15/257.7 X
2,396,645	3/1946	Dolce	15/257.7
3,380,101	4/1968	Phillips	15/257.1



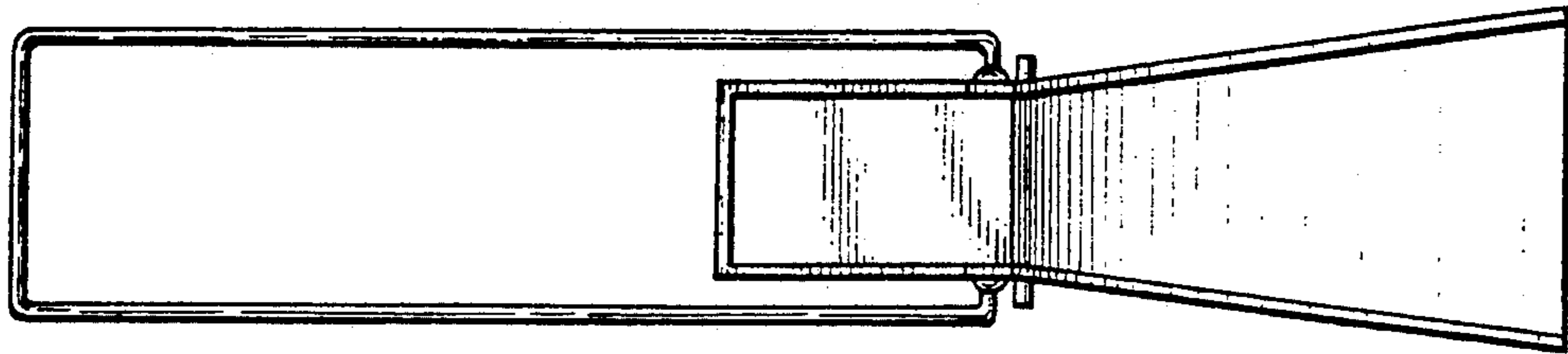


FIG. 1

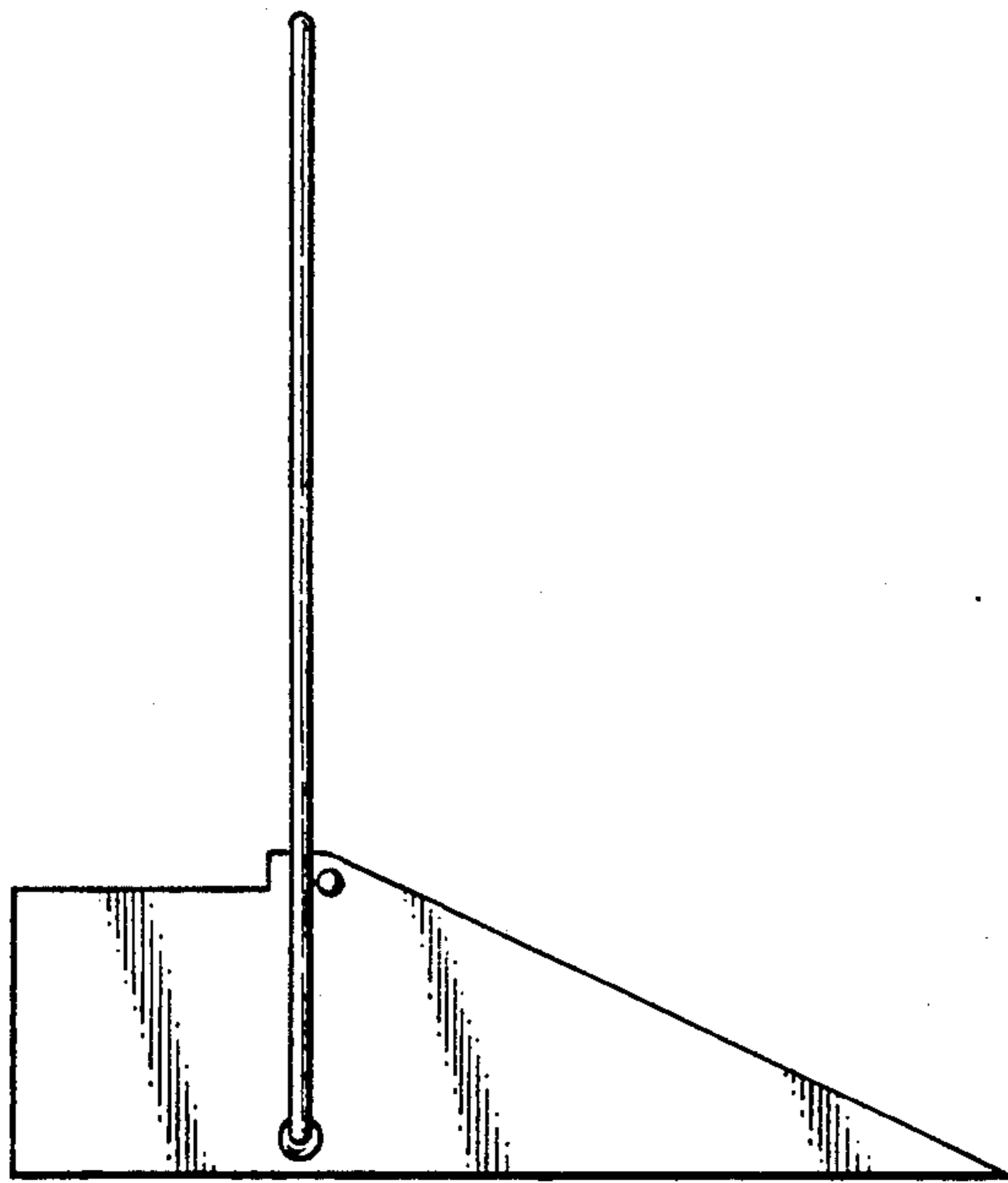


FIG. 2

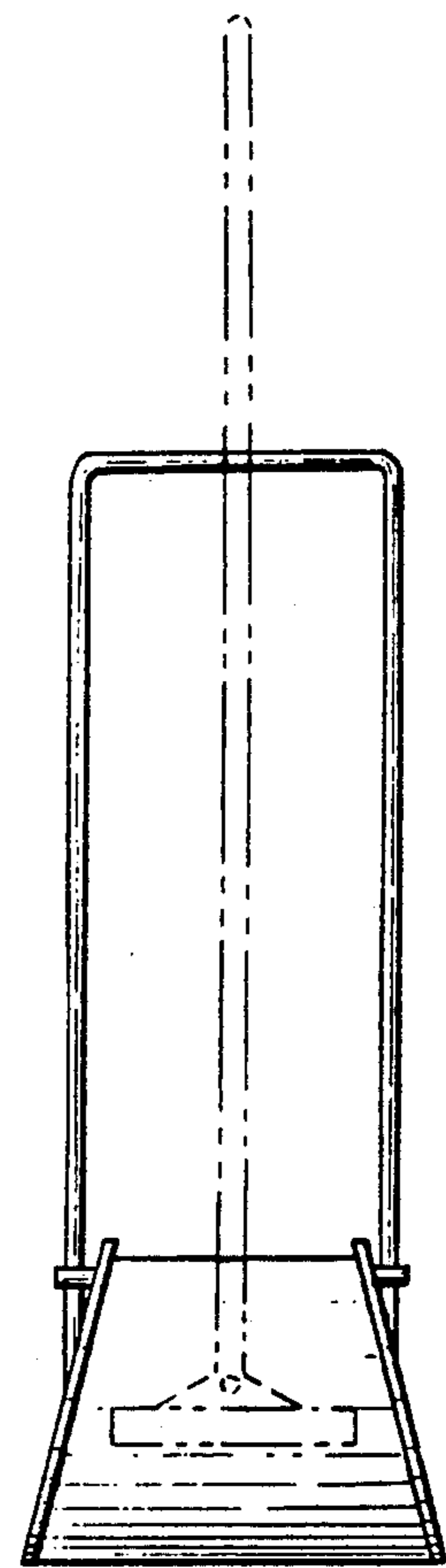


FIG. 3

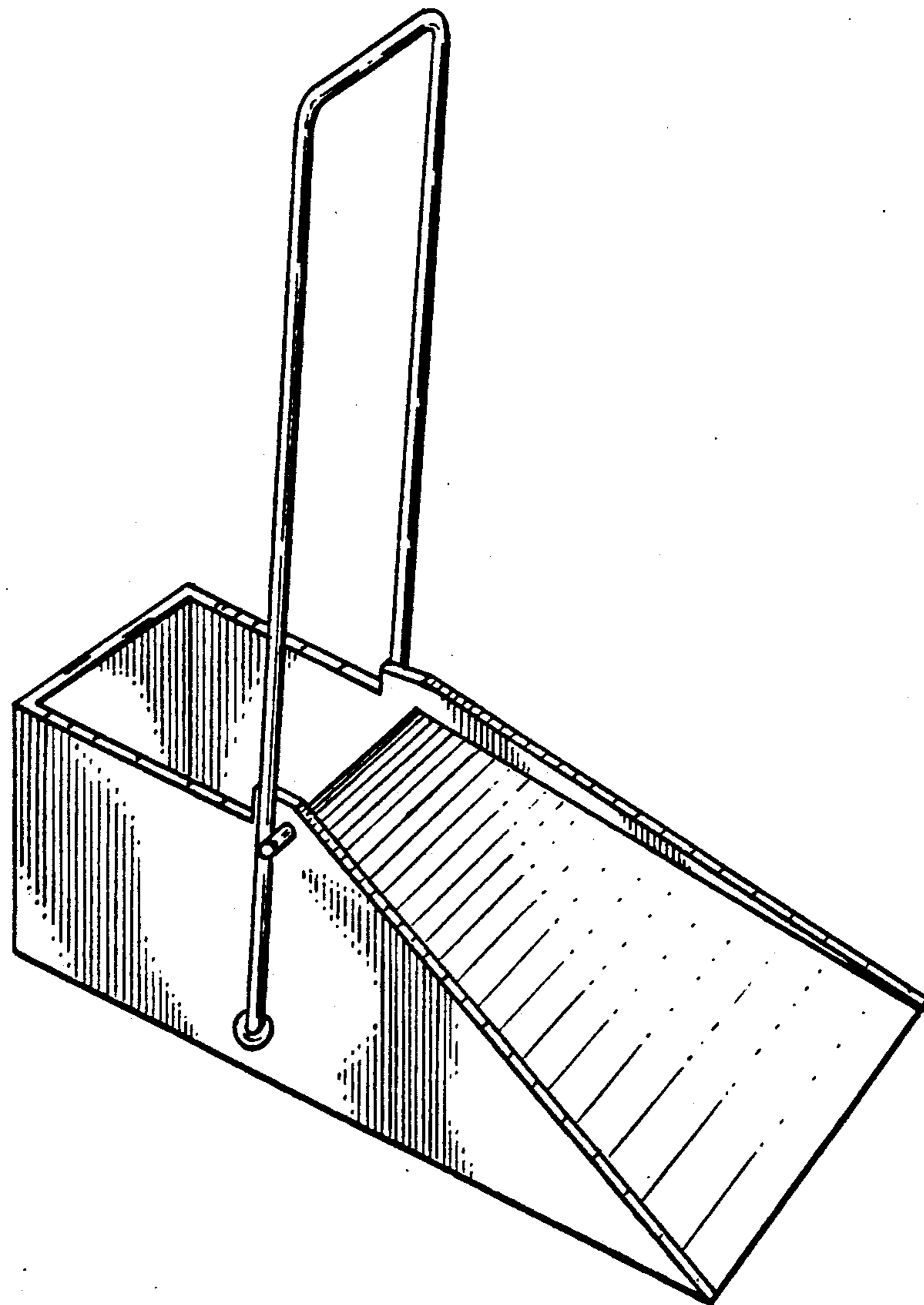


FIG. 4