



US00D324116S

# United States Patent [19]

[11] Patent Number: **Des. 324,116**

**Skillius**

[45] Date of Patent: **\*\* Feb. 18, 1992**

[54] **ANIMAL WATERER**

[75] Inventor: **Hans Skillius, Halmstad, Sweden**  
[73] Assignee: **Alfa-Laval Agriculture International AB, Tumba, Sweden**

[\*\*] Term: **14 Years**

[21] Appl. No.: **364,212**

[22] Filed: **Jun. 12, 1989**

[30] **Foreign Application Priority Data**

Dec. 16, 1988 [SE] Sweden ..... 88-2907

[52] U.S. Cl. .... **D30/132**

[58] Field of Search ..... D30/121, 122, 130-133;  
119/18, 51.5, 61, 52.1, 72, 72.5, 73, 75, 77, 78,  
71; 137/445, 451

[56] **References Cited**

### U.S. PATENT DOCUMENTS

2,220,421 11/1940 Munson ..... 119/75  
2,911,946 11/1959 Olson ..... 119/75

3,043,267 7/1962 Blough ..... 119/75  
3,044,446 7/1962 Vanderhoven ..... 119/75  
3,066,650 12/1962 Wittlich et al. .... 119/75  
3,095,856 7/1963 Prentice ..... 119/75  
3,144,853 8/1964 Blough ..... 119/75  
3,412,712 11/1968 Taylor ..... 119/75  
4,157,697 6/1979 Neher ..... 119/75

*Primary Examiner*—A. Hugo Word  
*Assistant Examiner*—Cathy Anne MacCormac  
*Attorney, Agent, or Firm*—Davis Hoxie Faithfull & Hapgood

### [57] CLAIM

The ornamental design for an animal waterer, as shown.

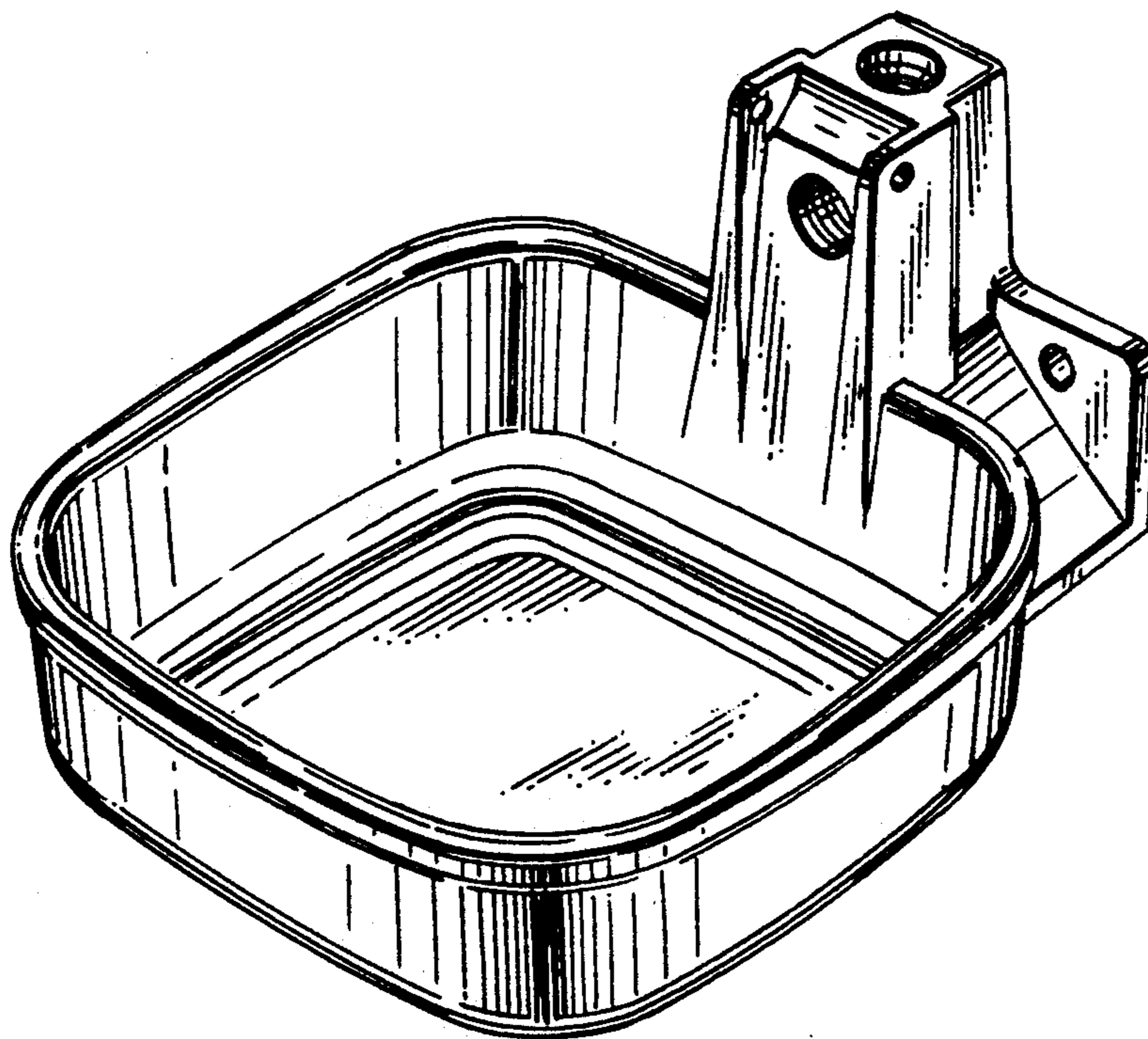
### DESCRIPTION

FIG. 1 is a perspective view taken from the top, front and right side of an animal waterer showing my new design;

FIG. 2 is a rear perspective view thereof;

FIG. 3 is a top plan view thereof; and

FIG. 4 is a bottom plan view thereof.



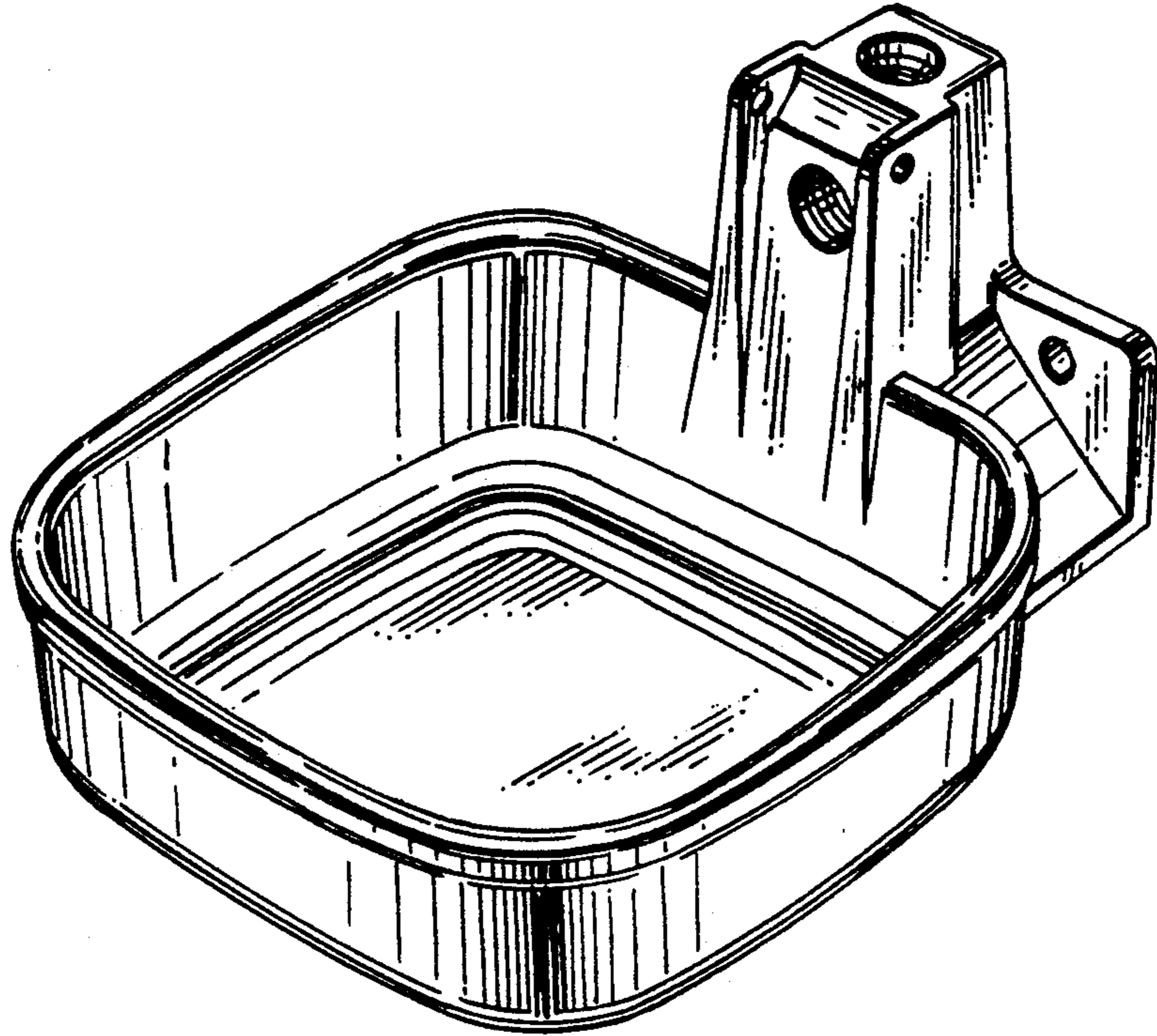


FIG. 1

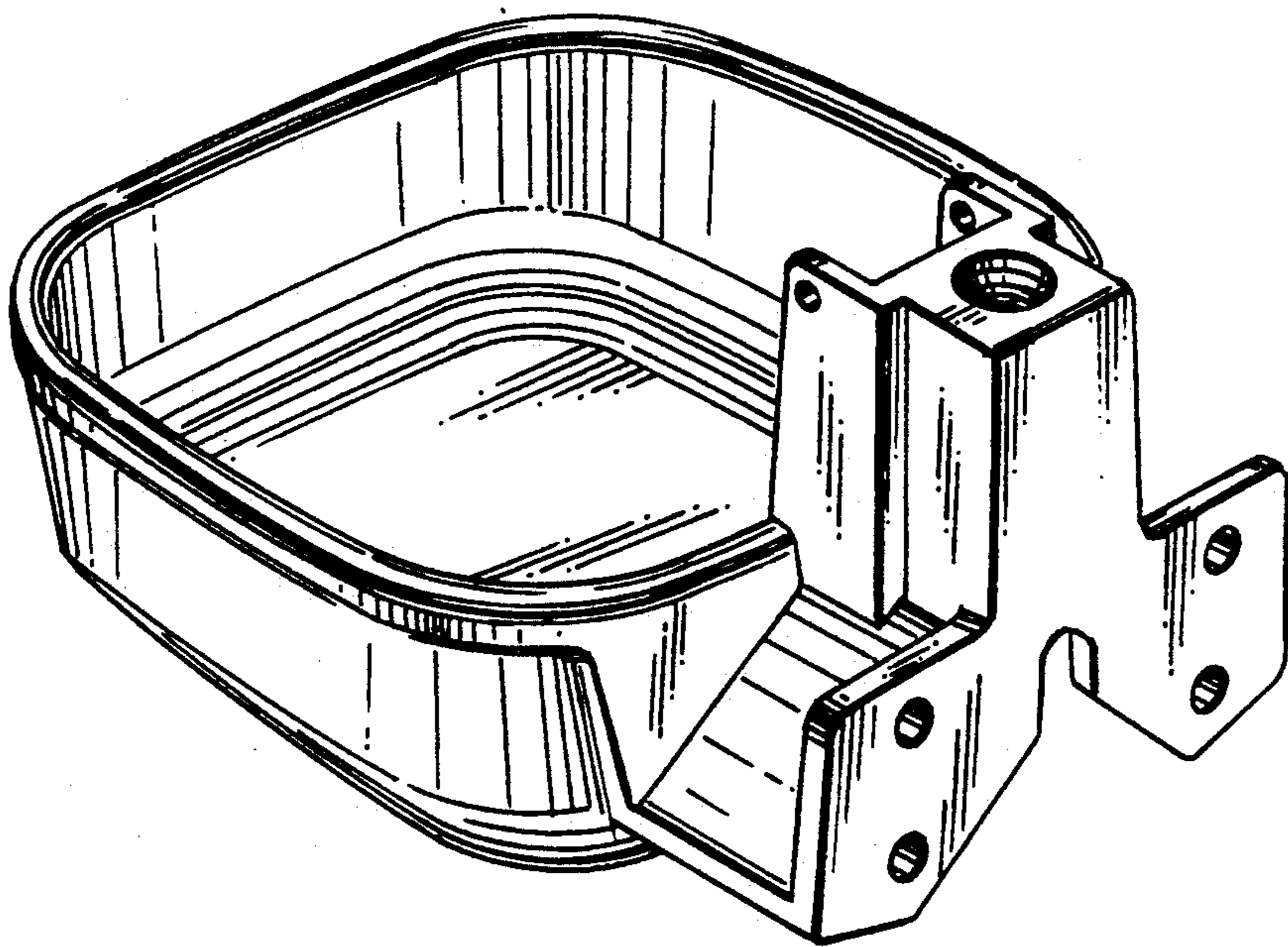


FIG. 2

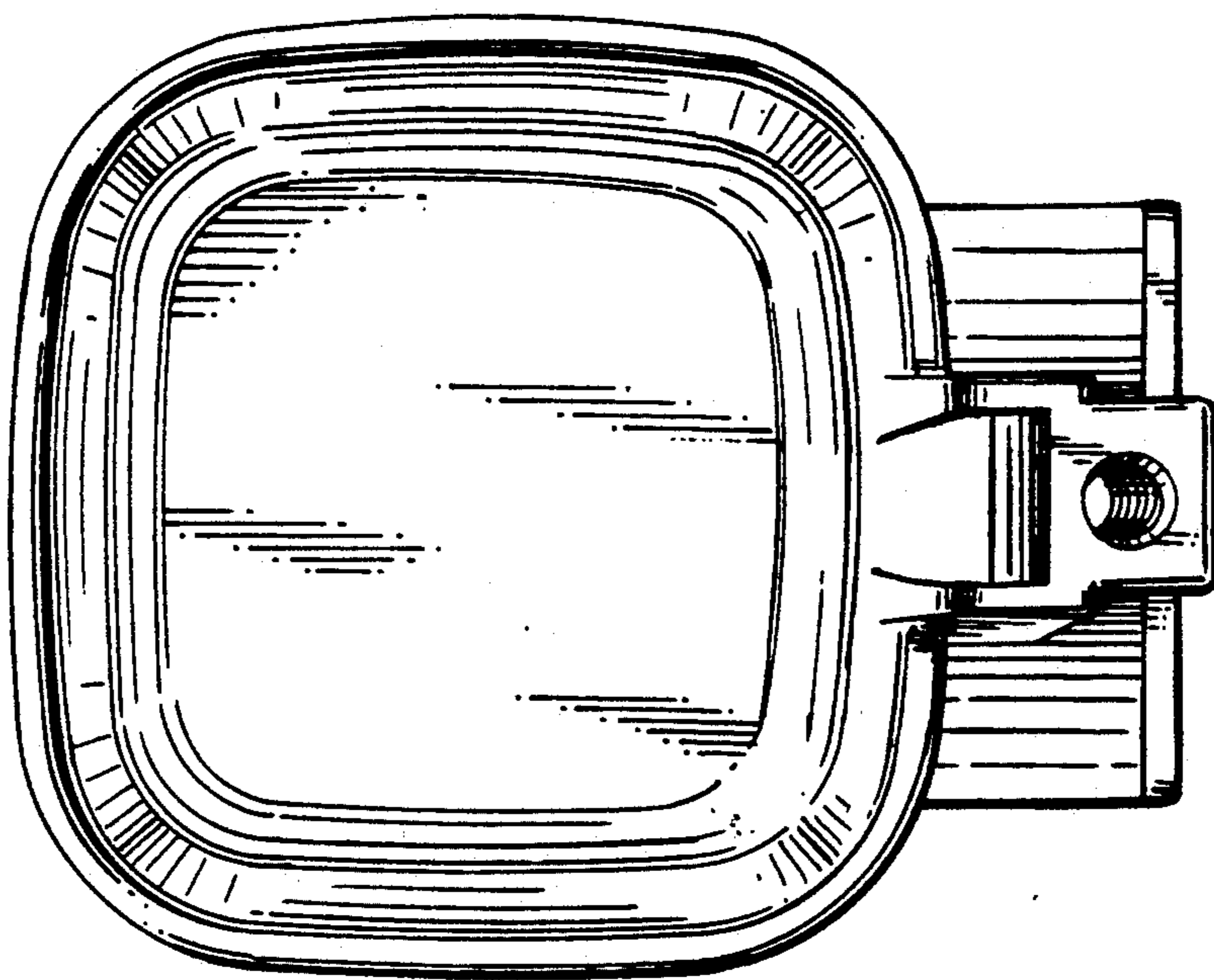


FIG. 3

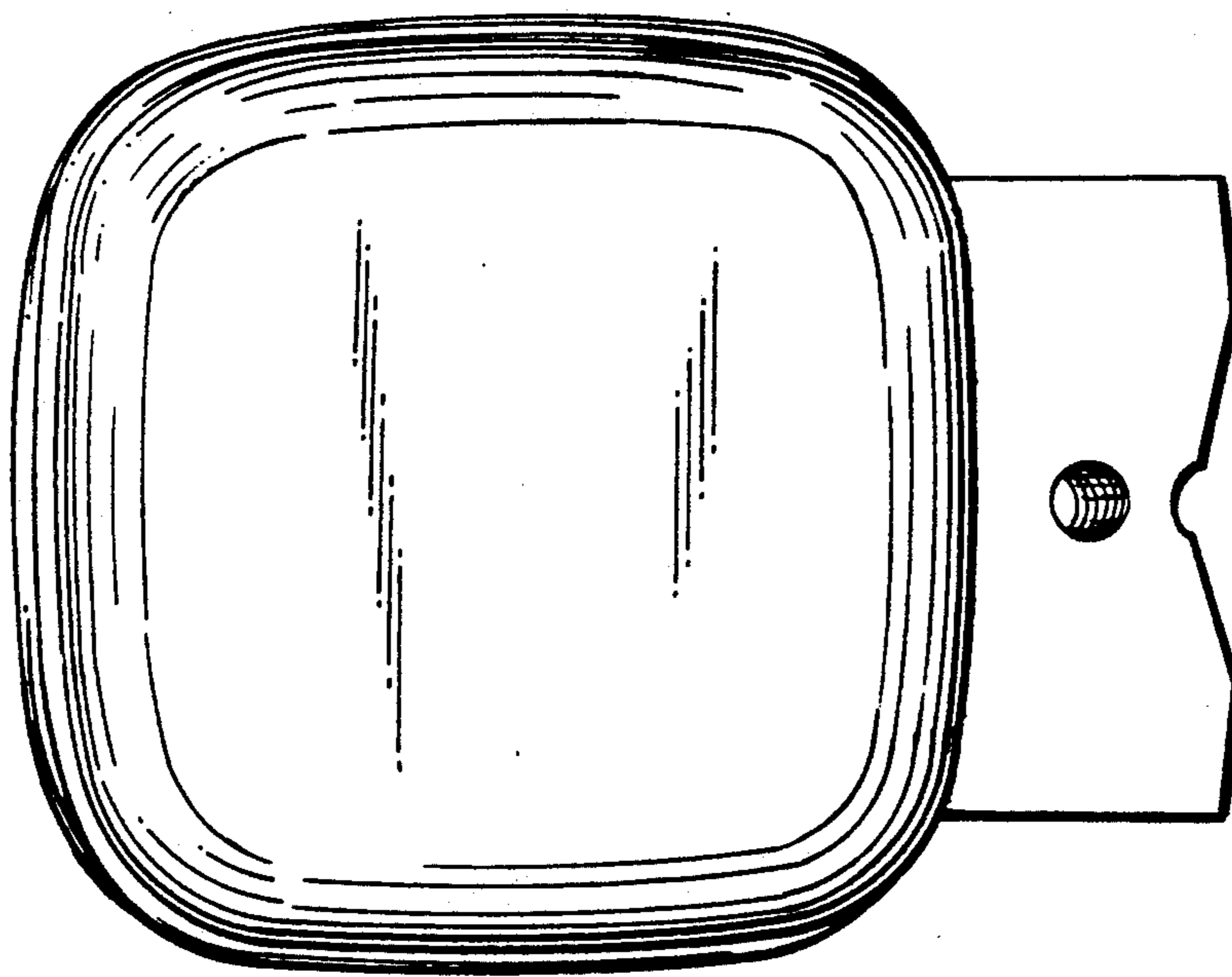


FIG. 4