



US00D324113S

# United States Patent [19]

[11] Patent Number: **Des. 324,113**

Morrison

[45] Date of Patent: **\*\* Feb. 18, 1992**

[54] **LIGHT FIXTURE**

[75] Inventor: **Richard D. Morrison, West Lafayette, Ohio**

[73] Assignee: **LSI Industries Inc., Cincinnati, Ohio**

[\*\*] Term: **14 Years**

[21] Appl. No.: **697,470**

[22] Filed: **May 9, 1991**

[52] U.S. Cl. .... **D26/88**

[58] Field of Search ..... **D26/72, 80-92; 362/147, 404-408, 432, 362, 222, 223**

4,222,093	9/1980	Garcia et al. .	
4,286,313	8/1981	Quiogue .....	362/404 X
4,403,277	9/1983	Eargle, Jr. et al. .	
4,460,947	7/1984	Kelly .	
4,460,948	7/1984	Malola .....	362/147 X
4,943,901	7/1990	Baldwin et al. .	

*Primary Examiner*—Susan J. Lucas  
*Attorney, Agent, or Firm*—Wood, Herron & Evans

[57] **CLAIM**

The ornamental design for a light fixture, as shown and described.

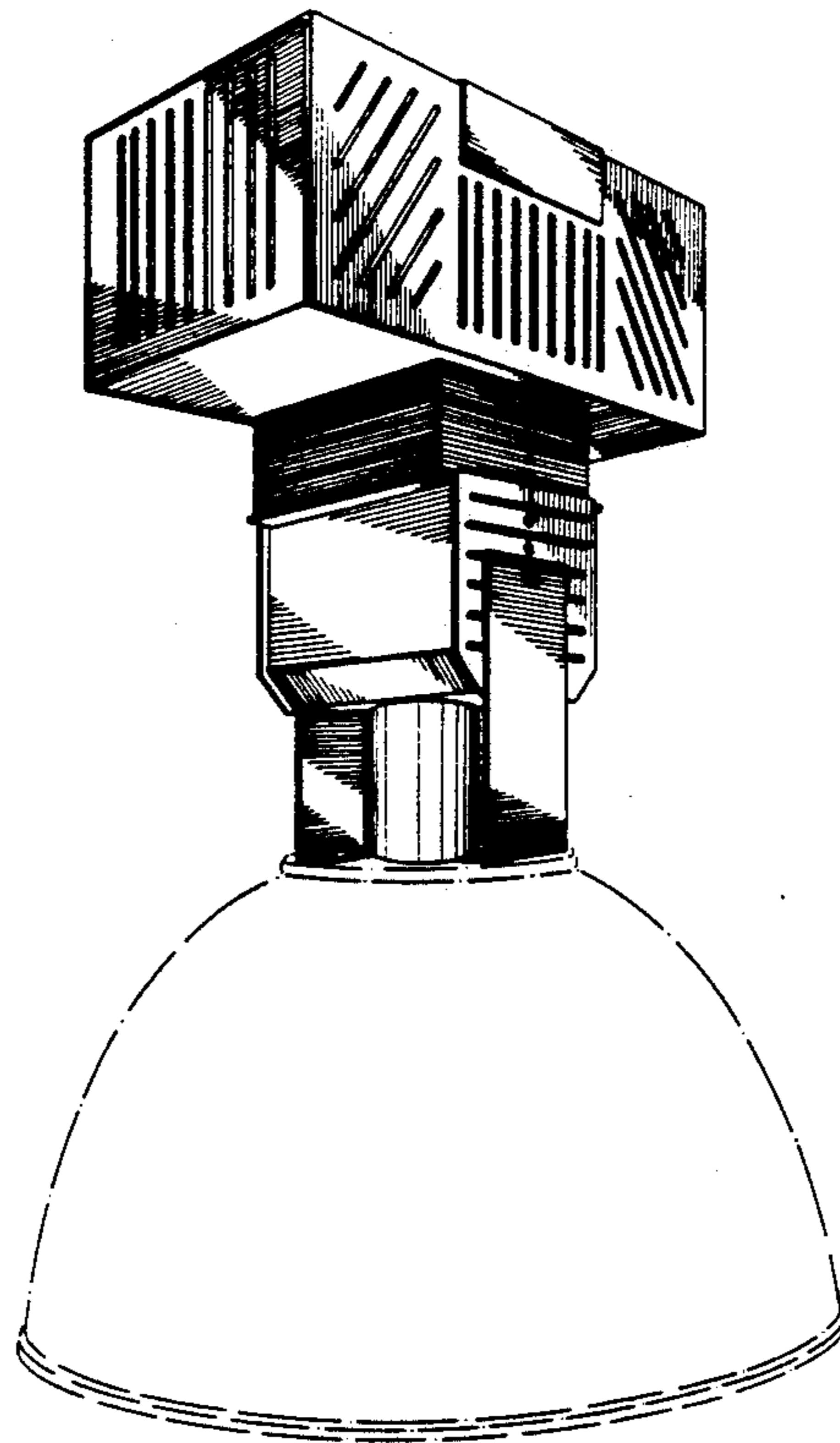
**DESCRIPTION**

FIG. 1 is a perspective view of a light fixture showing my new design;  
 FIG. 2 is a front elevational view thereof, with the rear view being a mirror image thereof;  
 FIG. 3 is a left side elevational view thereof, with the right side view being a mirror image thereof;  
 FIG. 4 is a top plan view thereof;  
 FIG. 5 is a bottom plan view thereof;  
 FIG. 6 is a perspective view of a second embodiment of my new design;  
 FIG. 7 is a front elevational view thereof, with the rear view being a mirror image thereof;  
 FIG. 8 is a left side elevational view thereof, with the right side view being a mirror image thereof;  
 FIG. 9 is a top plan view thereof;  
 FIG. 10 is a bottom plan view thereof.  
 The reflector is shown in broken lines in FIGS. 1 and 6 for illustrative purposes only and forms no part of the claimed design.

[56] **References Cited**

**U.S. PATENT DOCUMENTS**

D. 200,069	1/1965	Van Steenhoven .	
D. 201,151	5/1965	Jackson .	
D. 207,414	4/1967	Lum et al. .	
D. 207,789	5/1967	Kimble .	
D. 211,821	7/1968	Pettengill .	
D. 213,994	4/1969	Blaisdell et al. .	
D. 217,018	3/1970	Anderson, Jr. .	
D. 226,534	3/1973	Anderson, Jr. .	
D. 254,215	2/1980	Yahraus et al. .	
D. 268,876	5/1983	Leithauser, Jr. .	
D. 269,639	7/1983	Eargle, Jr. et al. .	
D. 271,427	11/1983	de Vos et al. ....	D26/85
3,404,269	10/1968	Schiffer et al. .	
3,432,629	3/1969	Field et al. .	
3,511,984	5/1970	Blaisdell et al. .	
3,662,165	5/1972	Osteen et al. .	
3,919,459	11/1975	Van Steenhoven .	
3,986,019	10/1976	deVos et al. .	



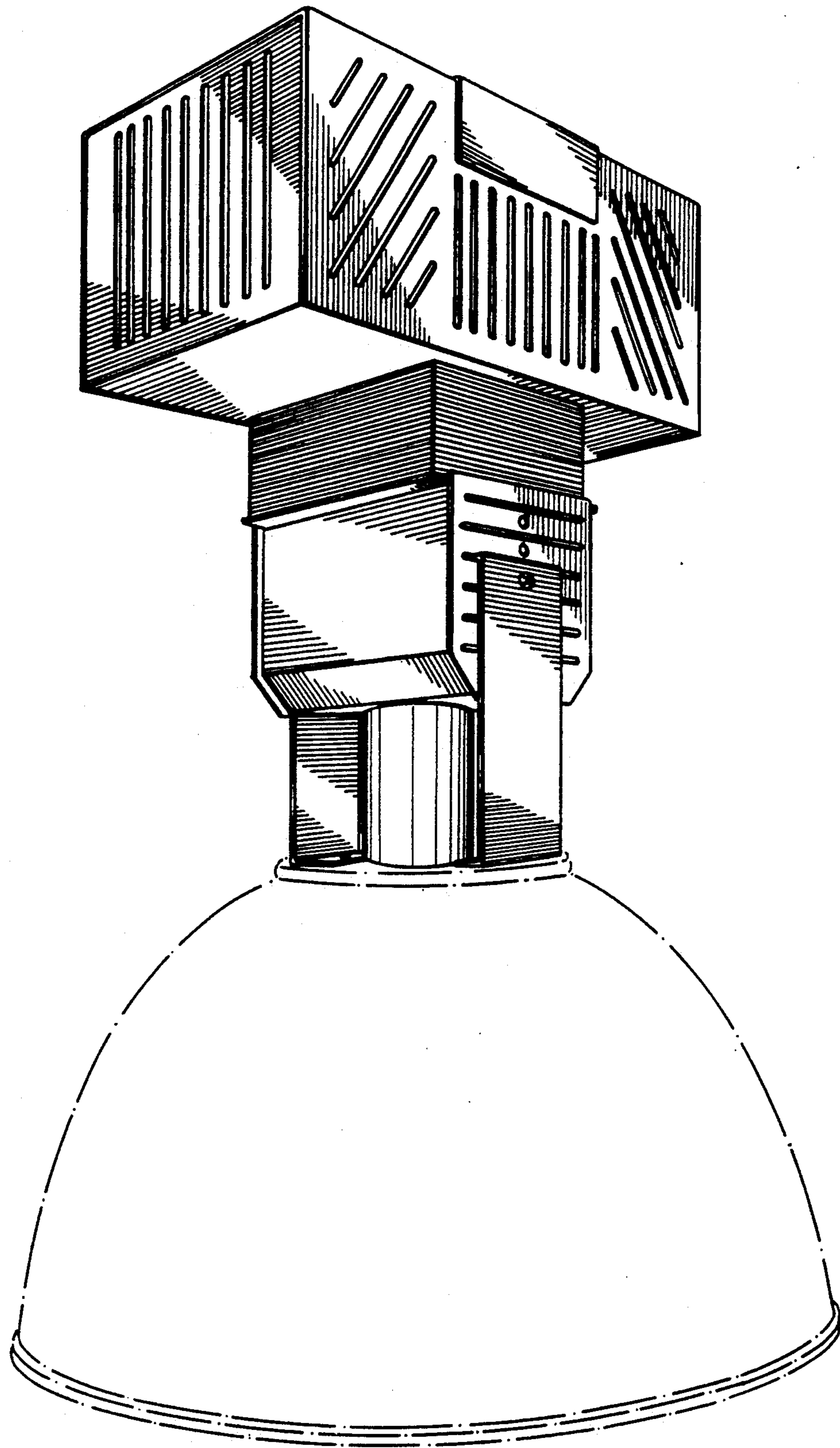


FIG. 1

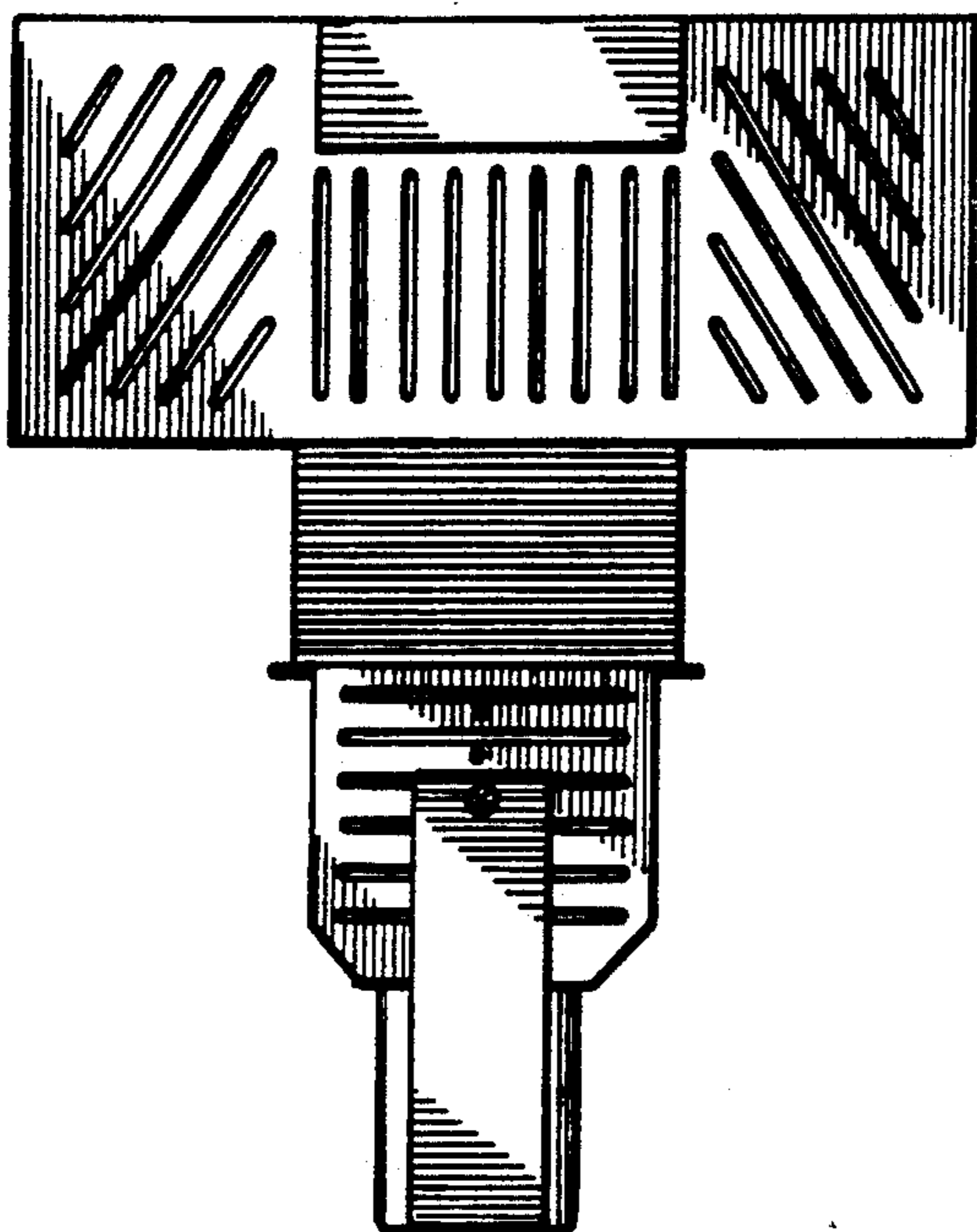


FIG. 2

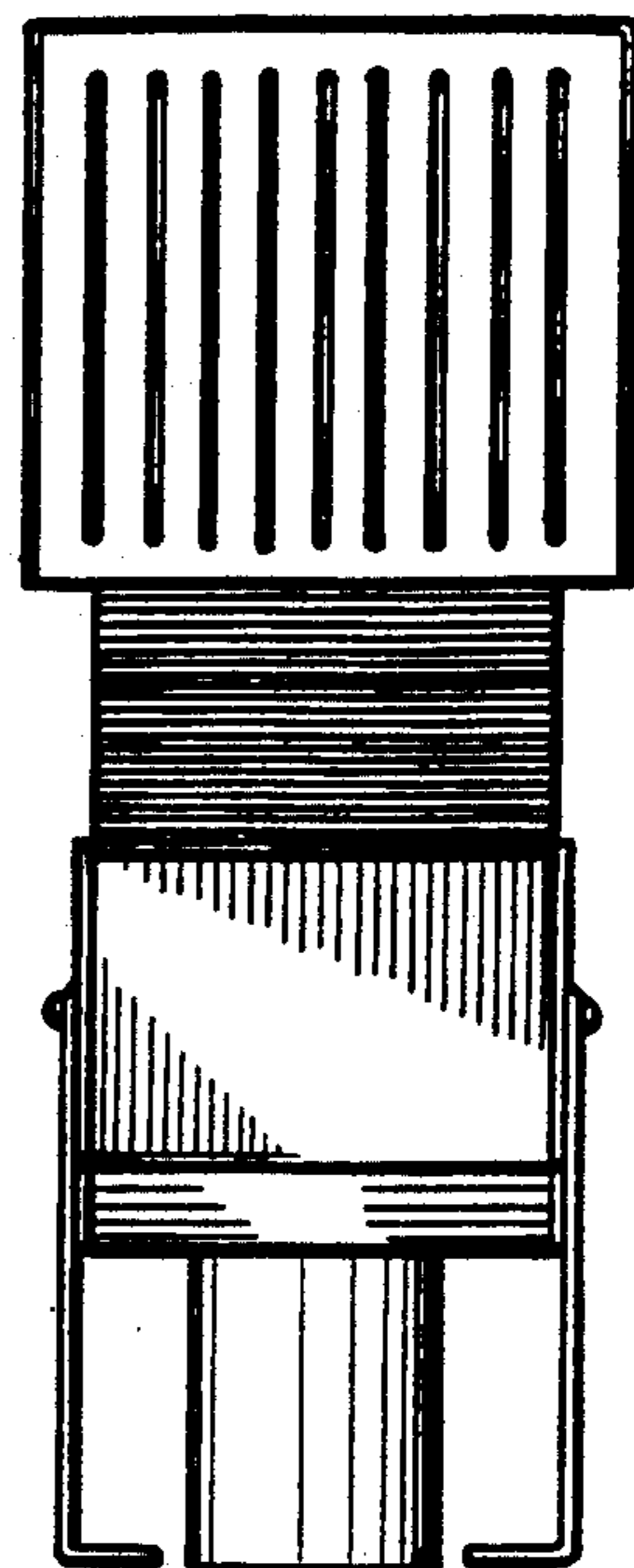


FIG. 3

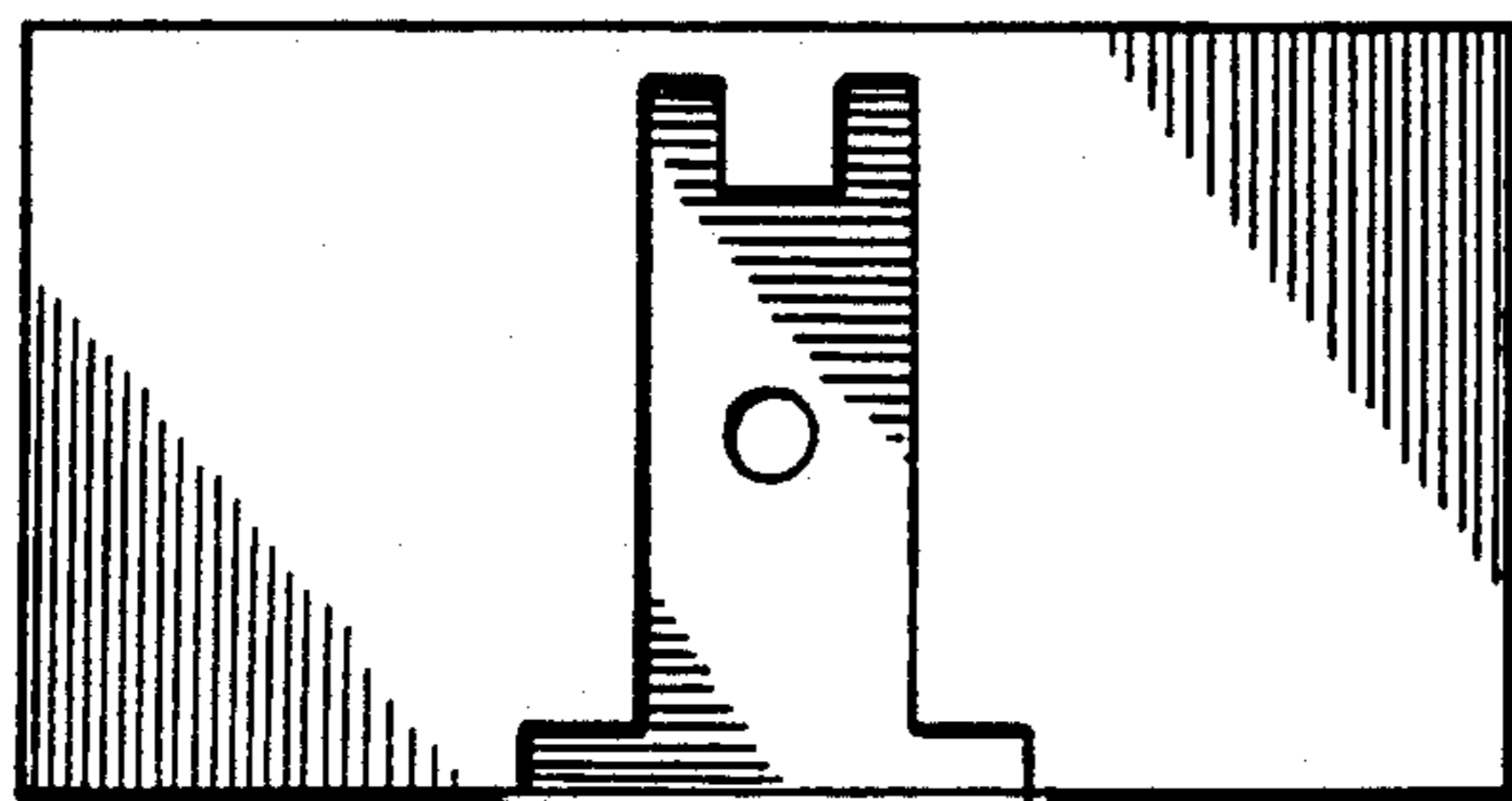


FIG. 4

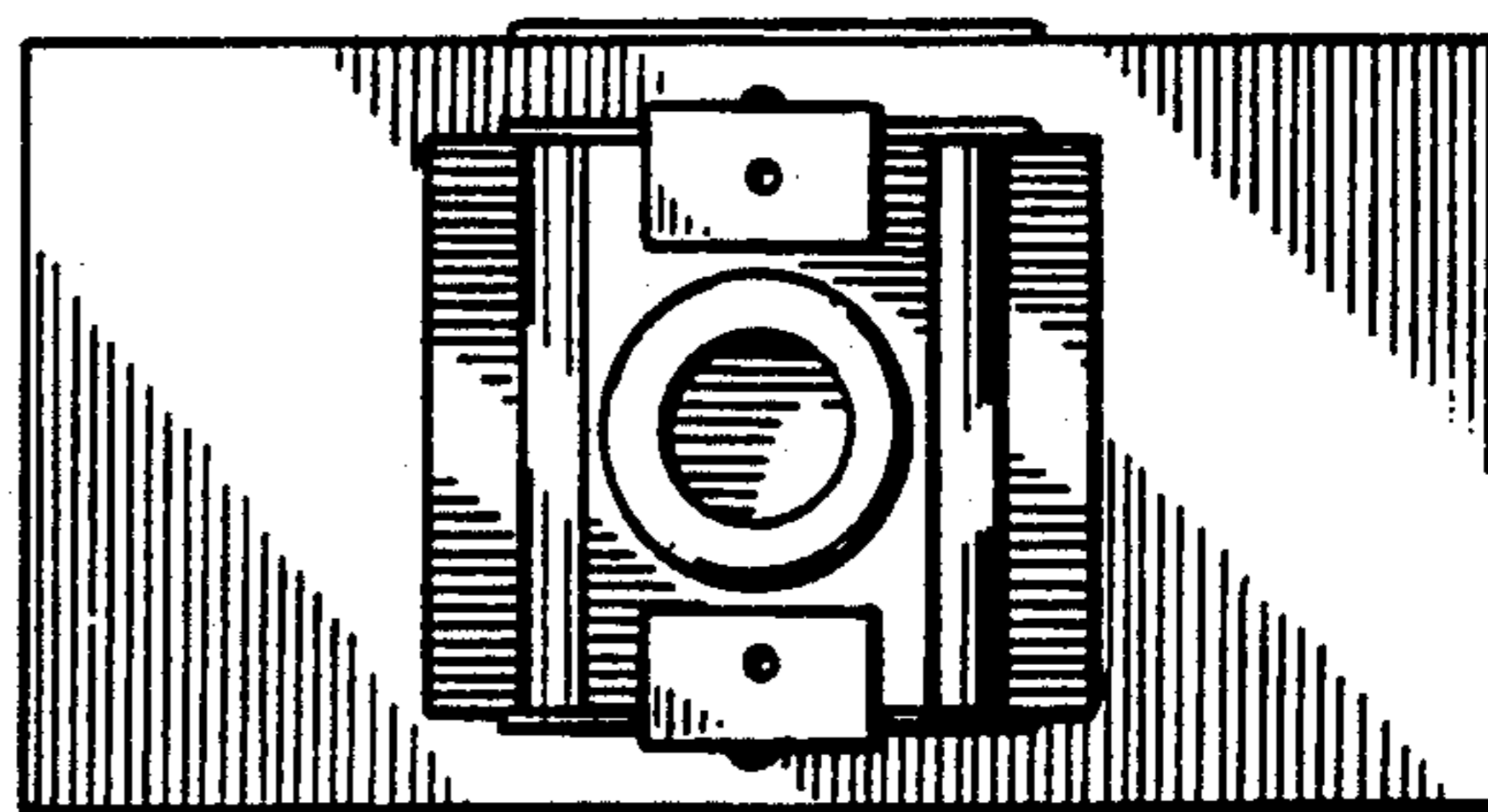


FIG. 5



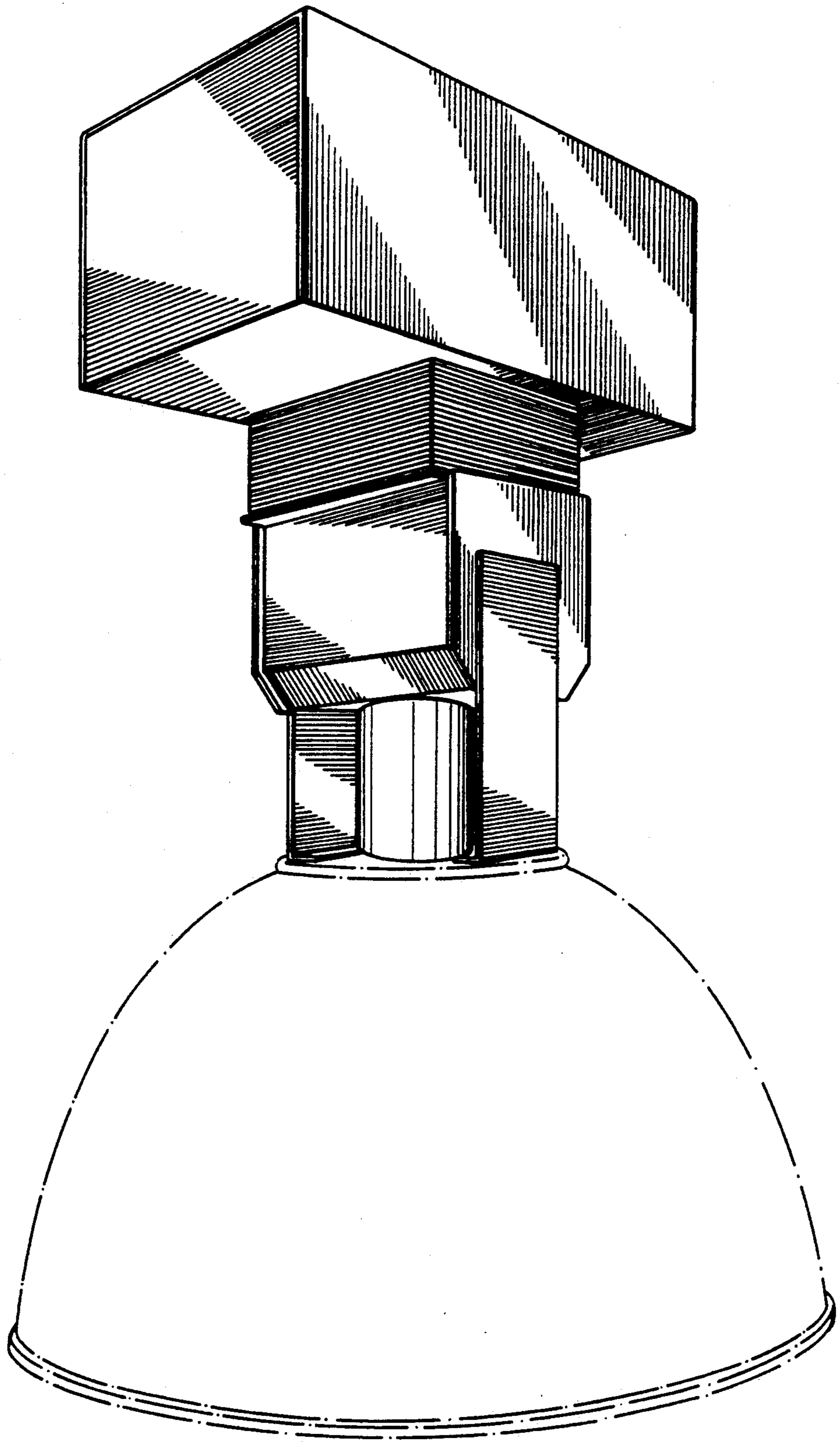


FIG. 6

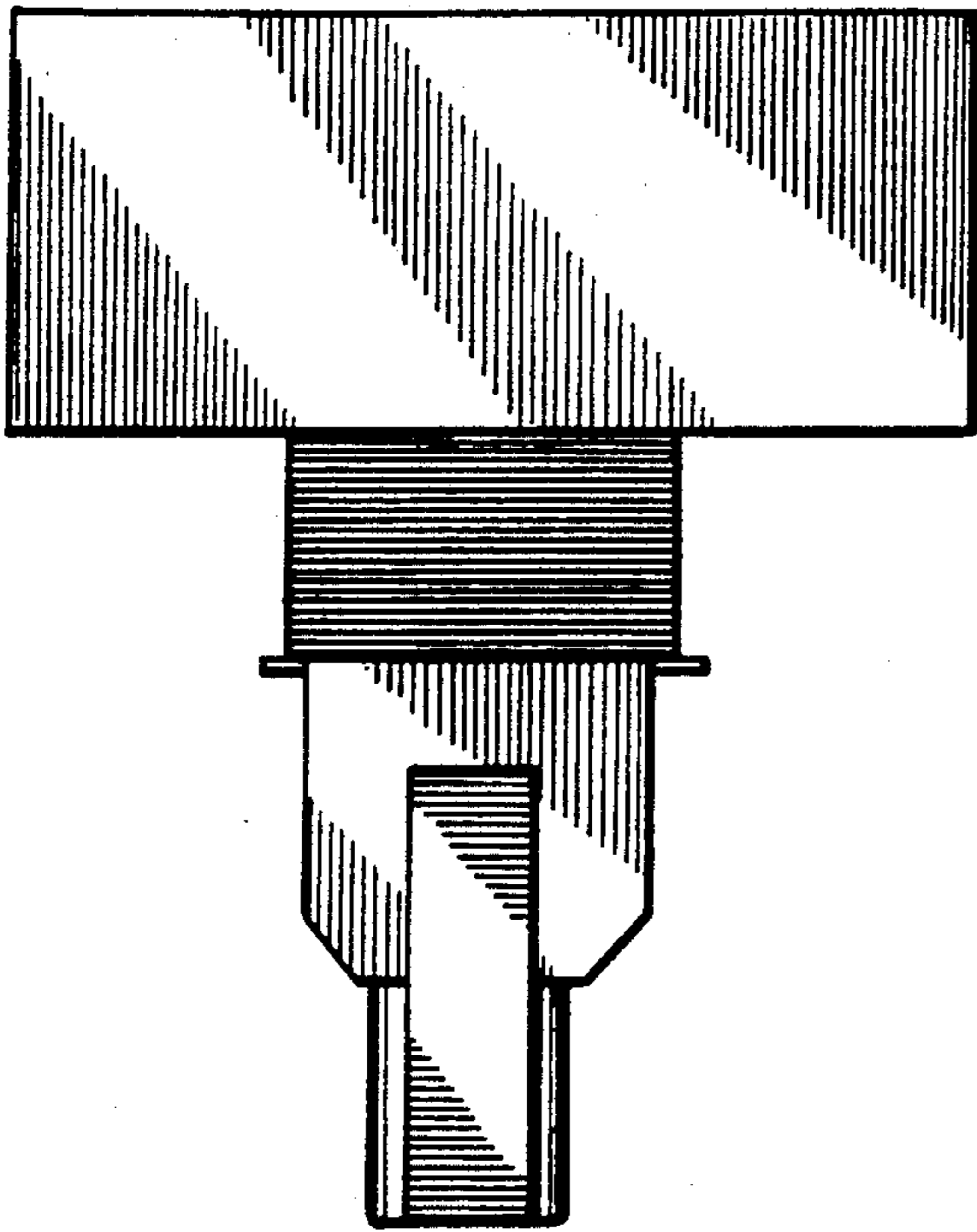


FIG. 7

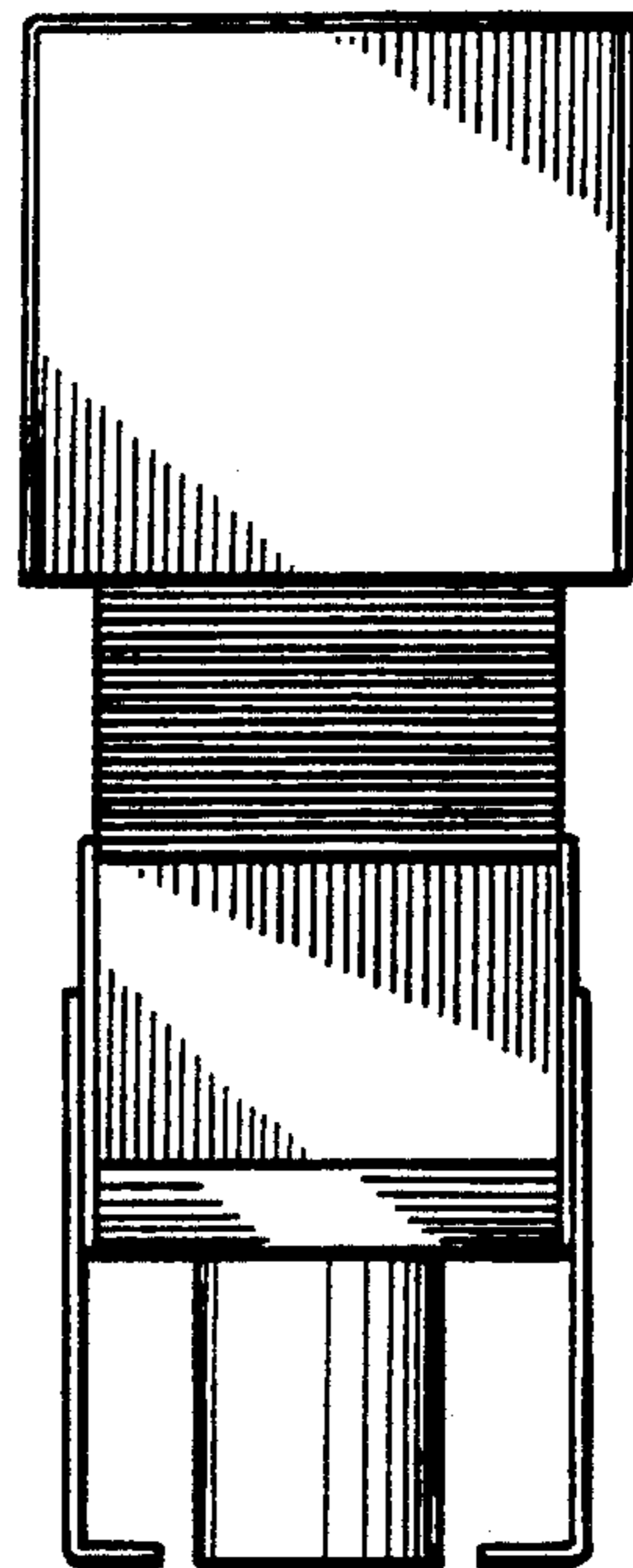


FIG. 8

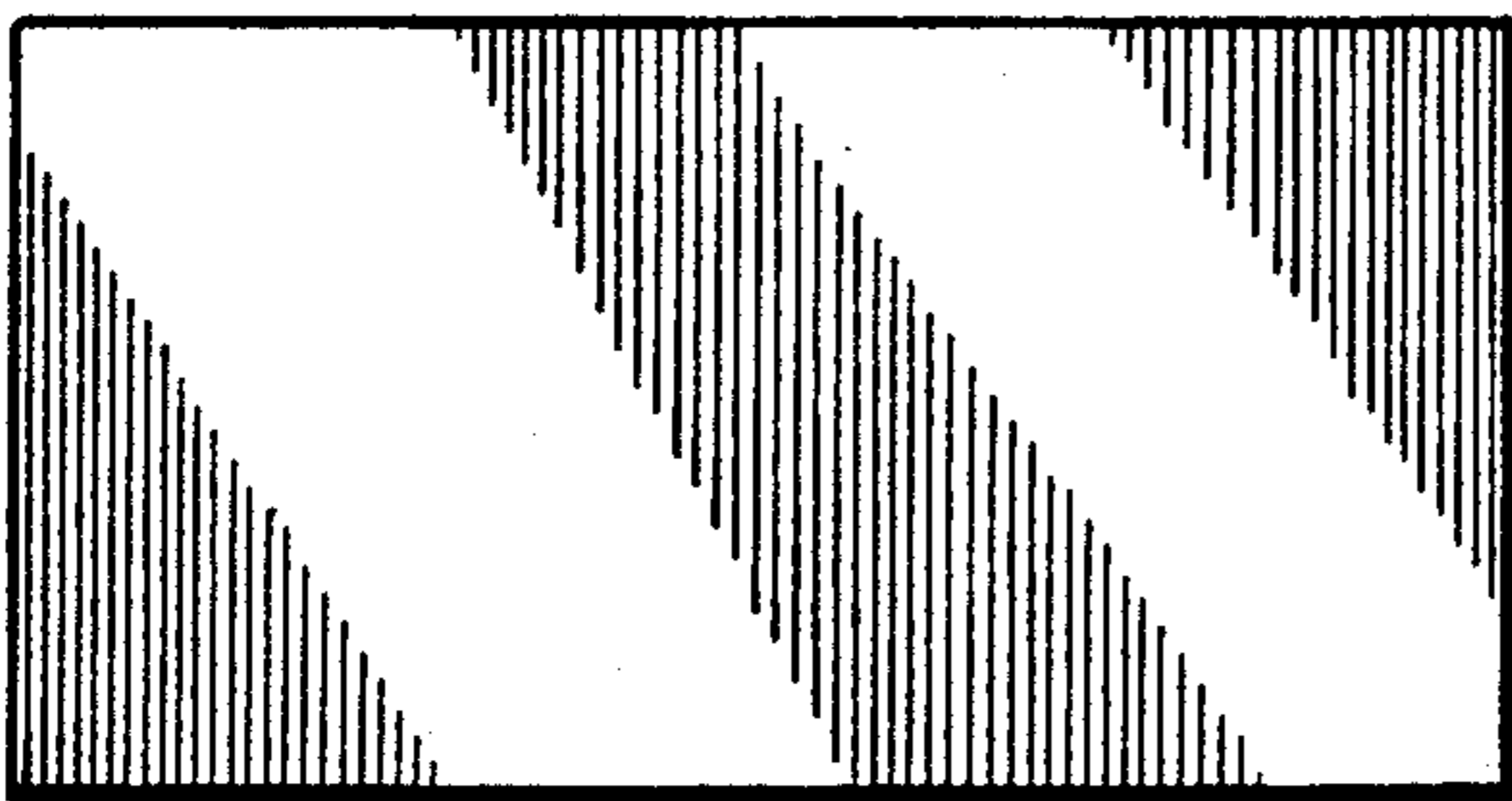


FIG. 9

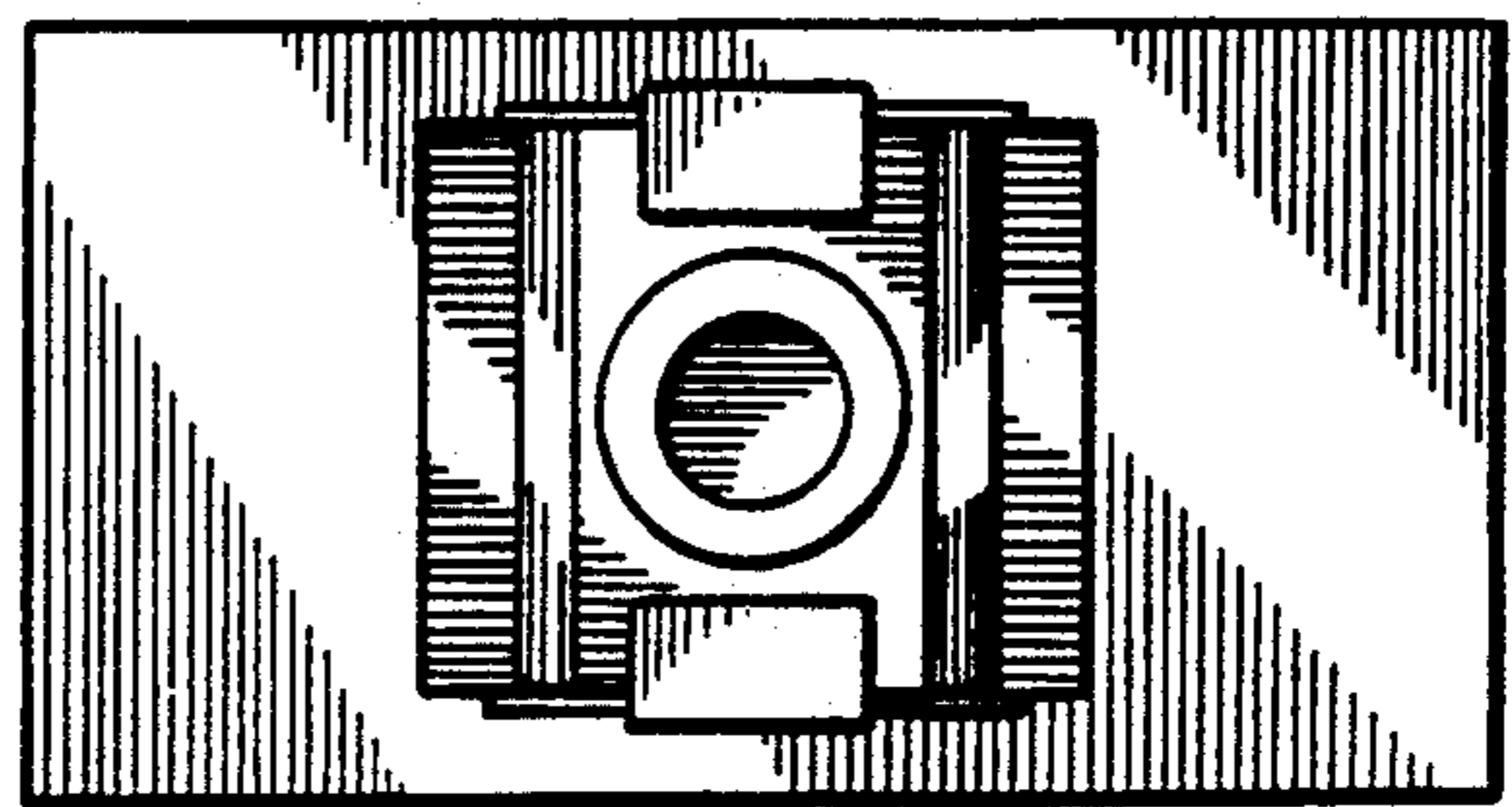


FIG. 10