



US00D324112S

# United States Patent [19]

[11] Patent Number: **Des. 324,112**

Von Kluck

[45] Date of Patent: **\*\* Feb. 18, 1992**

## [54] WALL SCONCE

[75] Inventor: **Kevin Von Kluck, Western Springs, Ill.**

[73] Assignee: **Cooper Industries, Inc., Houston, Tex.**

[\*\*] Term: **14 Years**

[21] Appl. No.: **483,427**

[22] Filed: **Feb. 21, 1990**

[52] U.S. Cl. .... **D26/86**

[58] Field of Search ..... **D26/72, 80-92; 362/147, 404-408, 432, 362**

## [56] References Cited

### U.S. PATENT DOCUMENTS

D. 124,018 12/1940 Davis ..... D26/86  
3,007,038 10/1961 Anisfield ..... D26/80 X

## OTHER PUBLICATIONS

Rambusch lighting Catalog page, 1983, Wall Sconce. Home Lighting Accessories, 11-1987, p. 102, Wall Sconce.

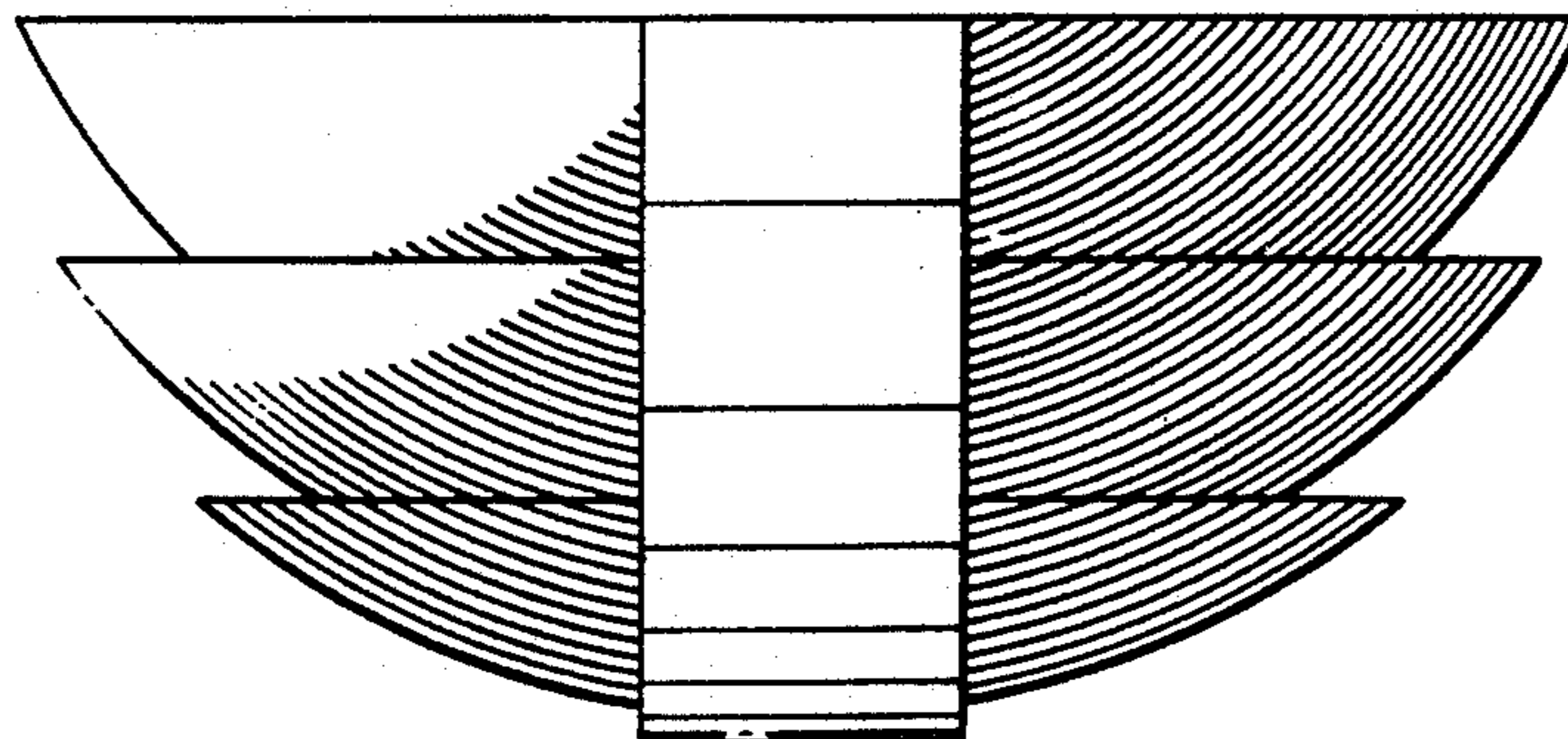
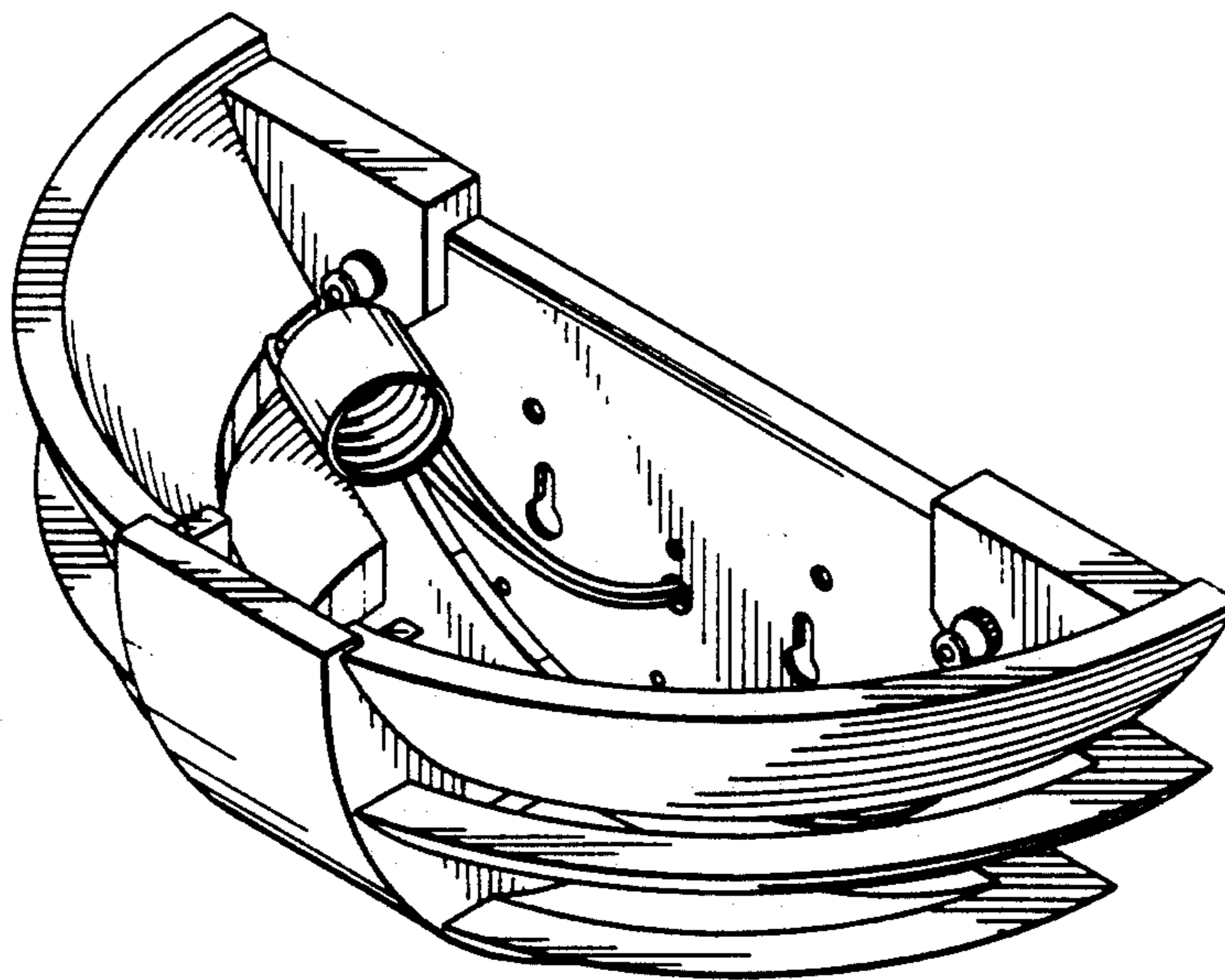
*Primary Examiner*—Susan J. Lucas  
*Attorney, Agent, or Firm*—A. Triantaphyllis

## [57] CLAIM

The ornamental design for a wall sconce, as shown and described.

## DESCRIPTION

FIG. 1 is a top, front perspective view of a wall sconce showing my new design;  
FIG. 2 is a front elevational view thereof;  
FIG. 3 is a side elevational view thereof, the opposite side being a mirror image;  
FIG. 4 is a rear elevational view thereof;  
FIG. 5 is a top plan view thereof; and  
FIG. 6 is a bottom plan view thereof.



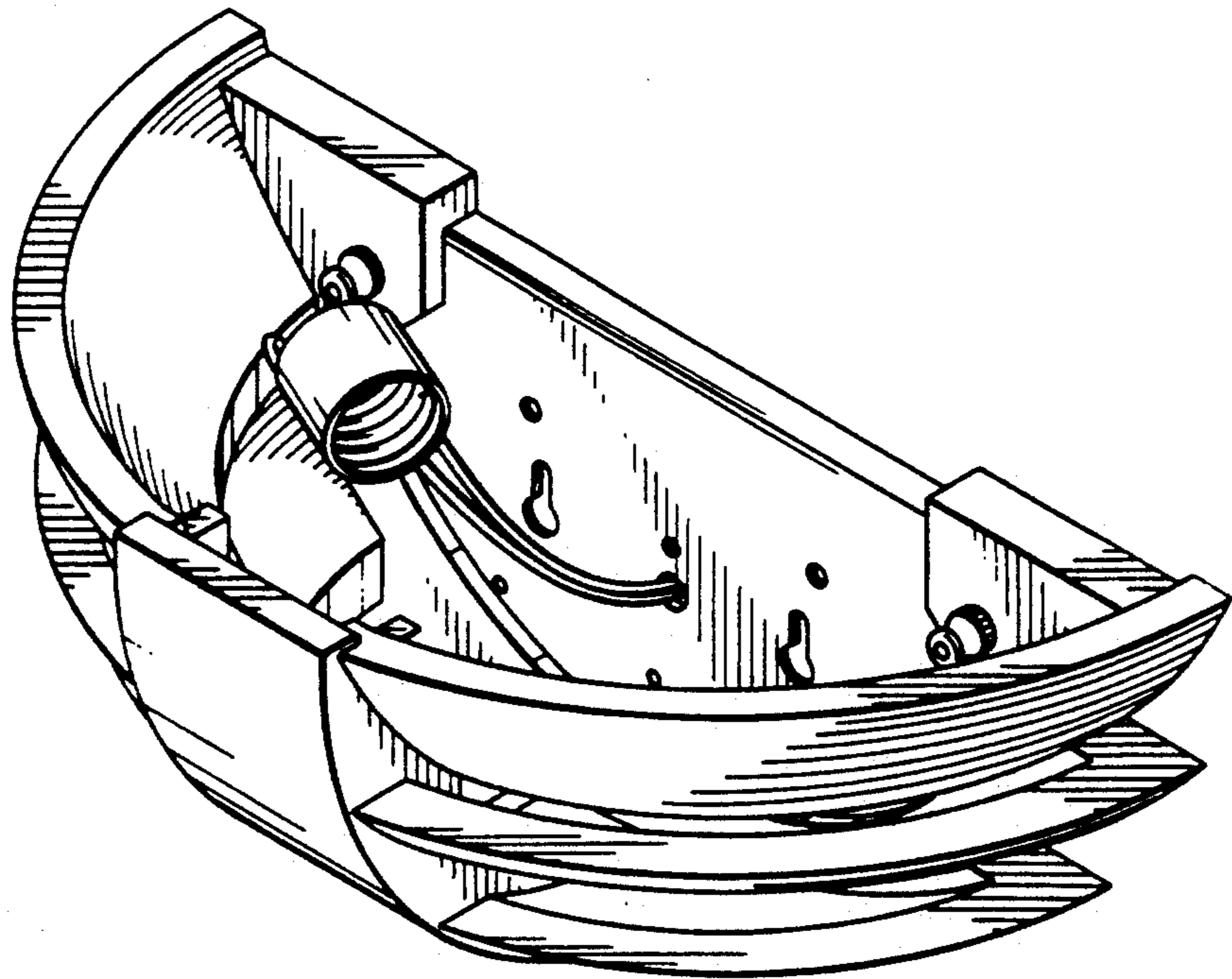


FIG. 1

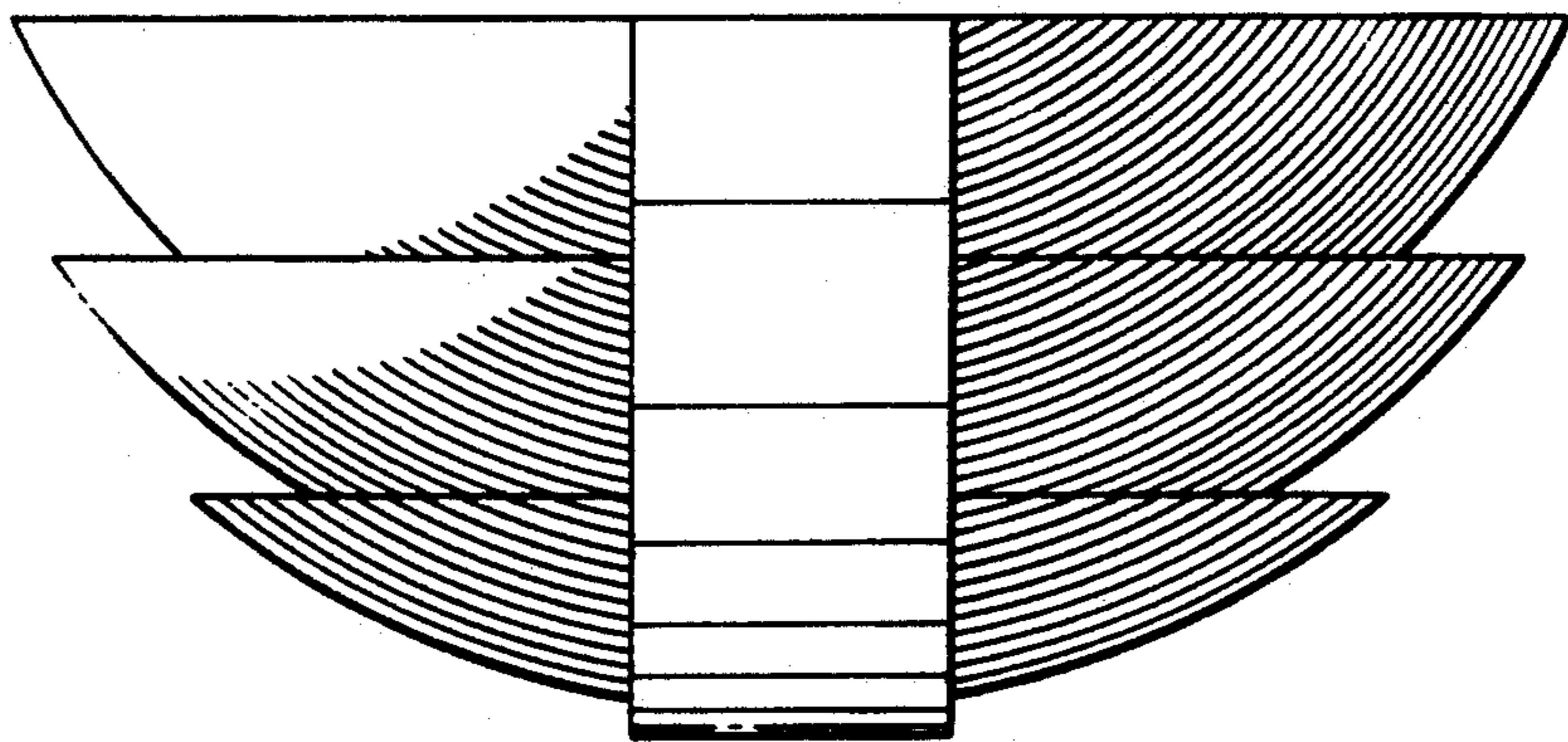


FIG. 2

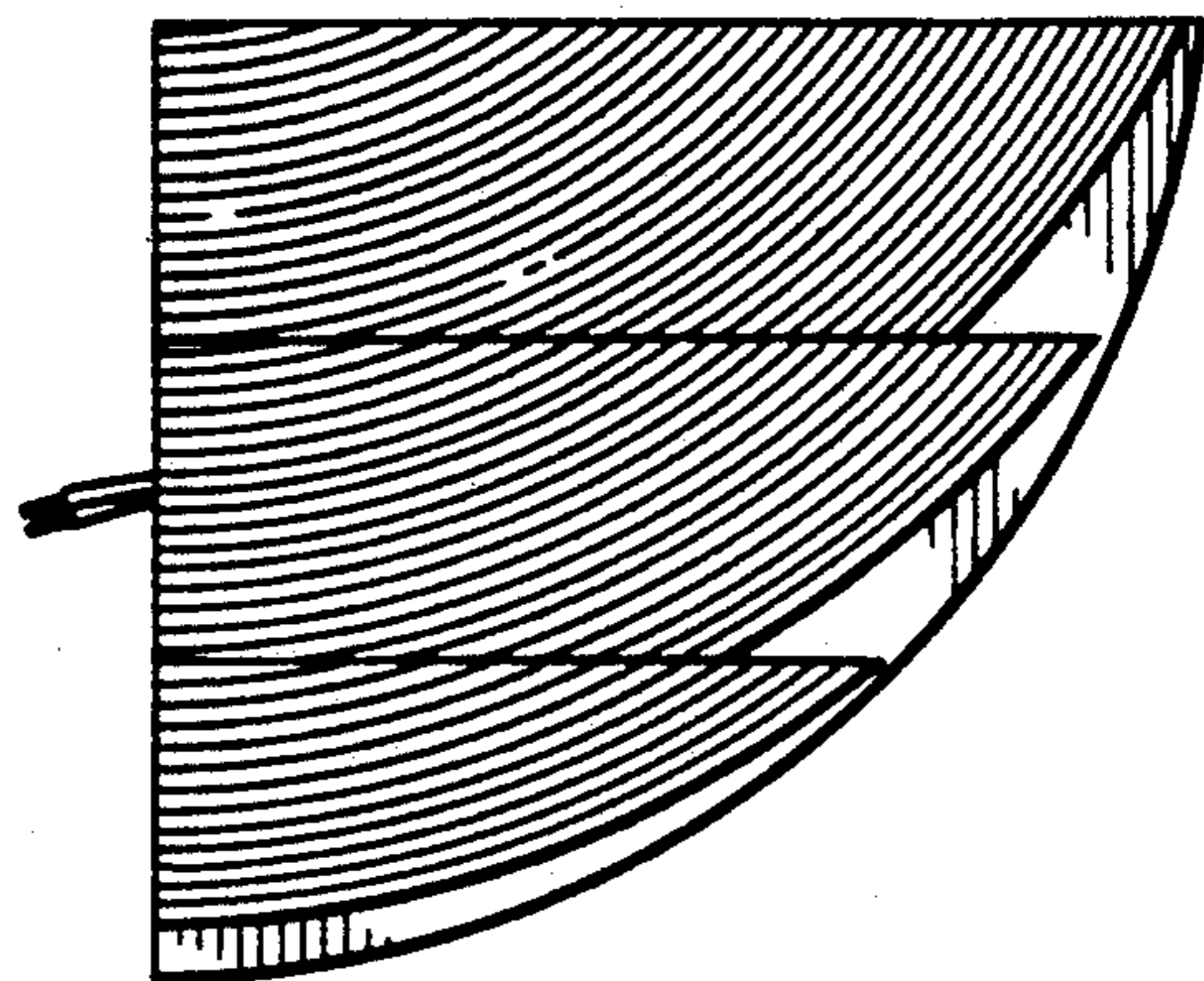


FIG. 3

FIG. 4

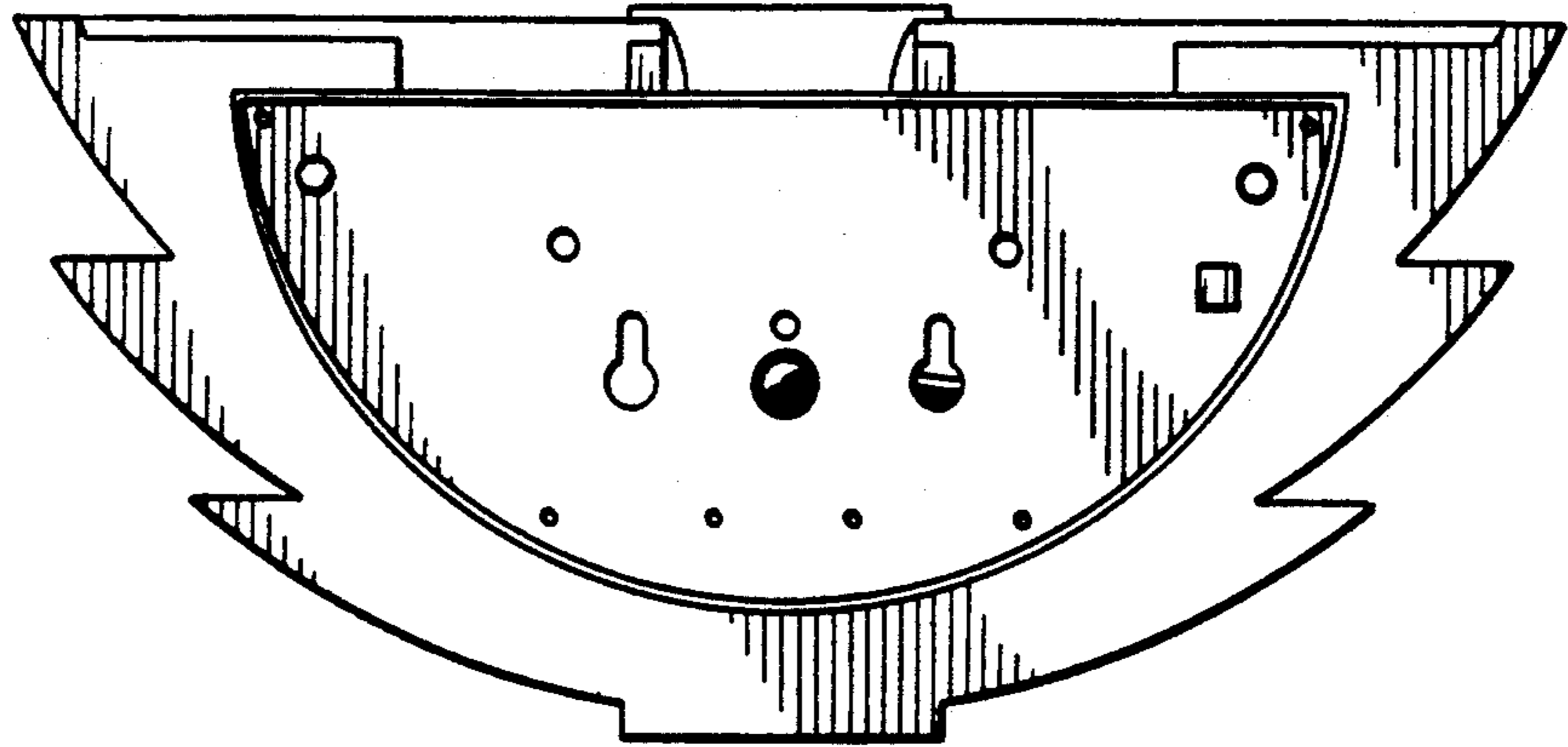


FIG. 5

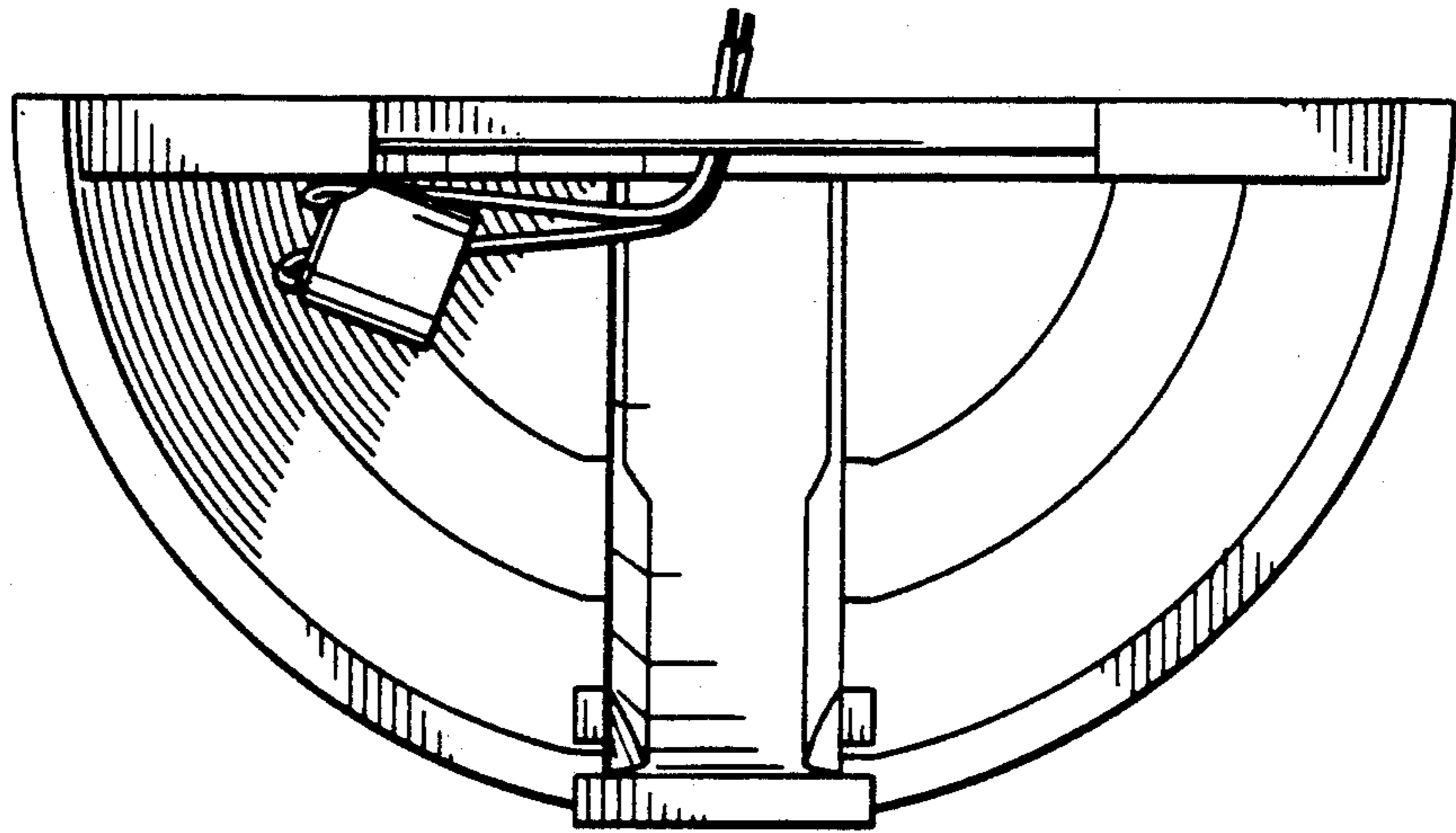


FIG. 6

