



US00D324103S

United States Patent [19]

[11] Patent Number: Des. 324,103

Masuda et al.

[45] Date of Patent: ** Feb. 18, 1992

[54] **TABLE FOR MASSAGING AND CHIROPRACTIC THERAPY**

4,850,343 7/1989 Scott 128/70 X
4,960,111 10/1990 Steffensmeier 128/70 X

[75] Inventors: **Teruo Masuda**, Itsukaichi; **Kazuyuki Yamaguchi**, Sayama; **Bunzo Koga**, Chofu, all of Japan

Primary Examiner—Stella Reid
Attorney, Agent, or Firm—Frishauf, Holtz, Goodman & Woodward

[73] Assignee: **France Bed Co., Ltd.**, Tokyo, Japan

[57] **CLAIM**

[**] Term: **14 Years**

The ornamental design for a table for massaging and chiropractic therapy, as shown.

[21] Appl. No.: **399,275**

DESCRIPTION

[22] Filed: **Aug. 28, 1989**

[52] U.S. Cl. **D24/183**

[58] Field of Search D24/188, 183, 171;
128/70, 71, 72, 73, 74, 33

FIG. 1 is a front, top and right side perspective view of a table for massaging and chiropractic therapy showing our new design;

FIG. 2 is a front, top and left side perspective view thereof;

FIG. 3 is a front elevational view thereof;

FIG. 4 is a top plan view thereof;

FIG. 5 is a right side elevational view thereof;

FIG. 6 is a left side elevational view thereof;

FIG. 7 is a rear elevational view thereof; and

FIG. 8 is a bottom plan view thereof.

[56] **References Cited**

U.S. PATENT DOCUMENTS

- D. 248,406 7/1978 Hodge D24/183
- D. 298,170 10/1988 Masuda et al. .
- D. 304,614 11/1989 Guttormsen D24/183

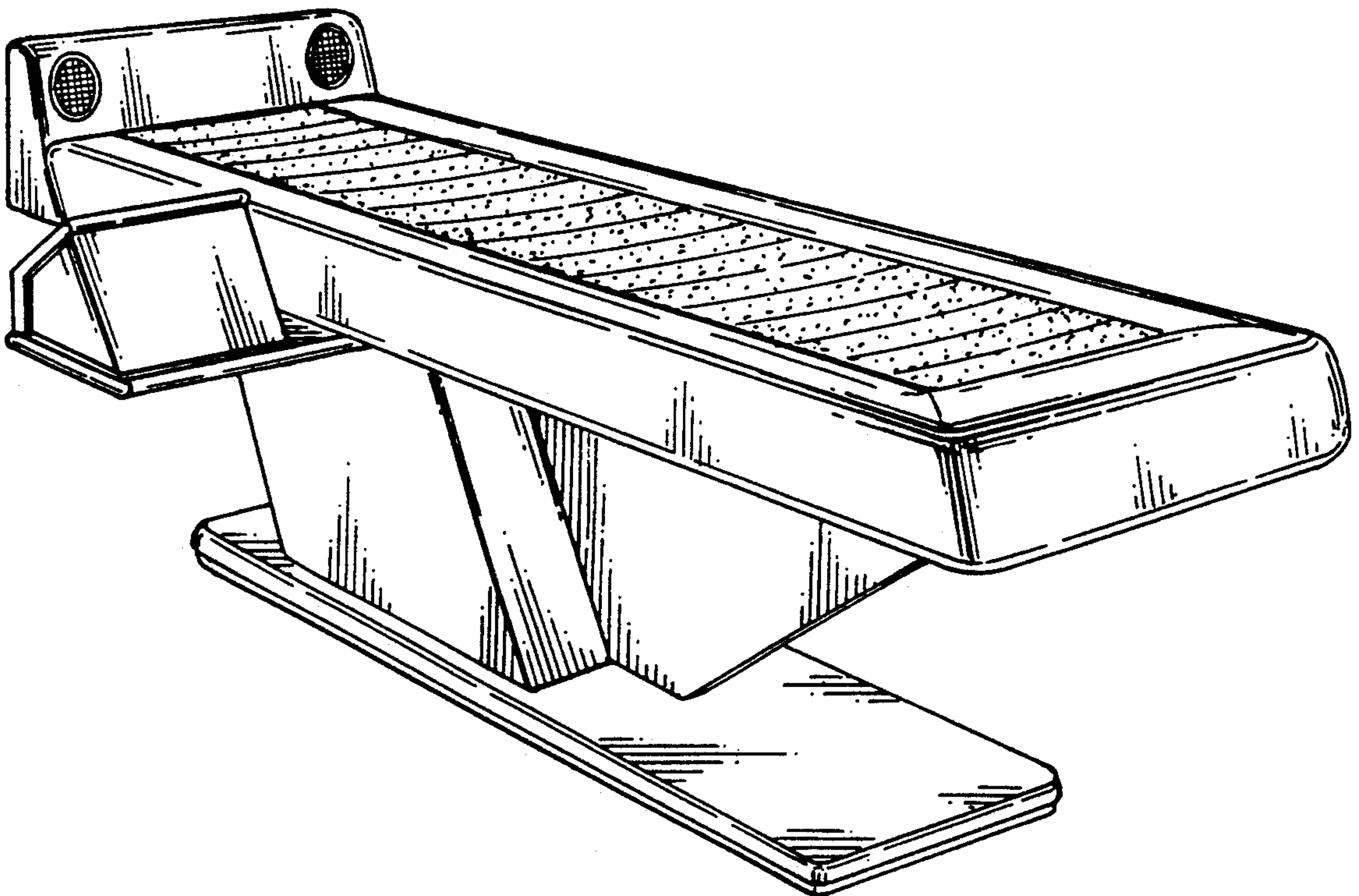


FIG. 1

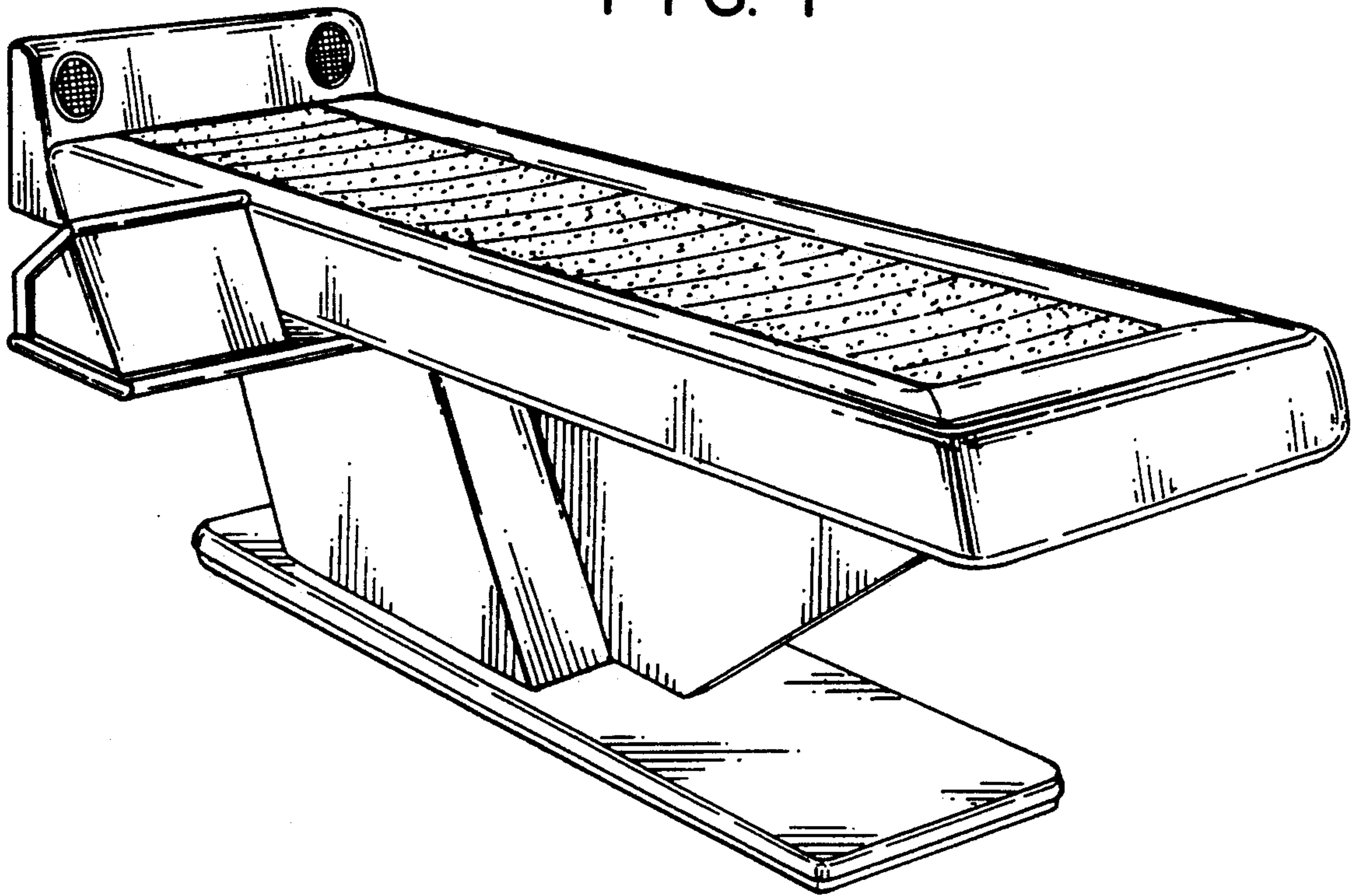


FIG. 2

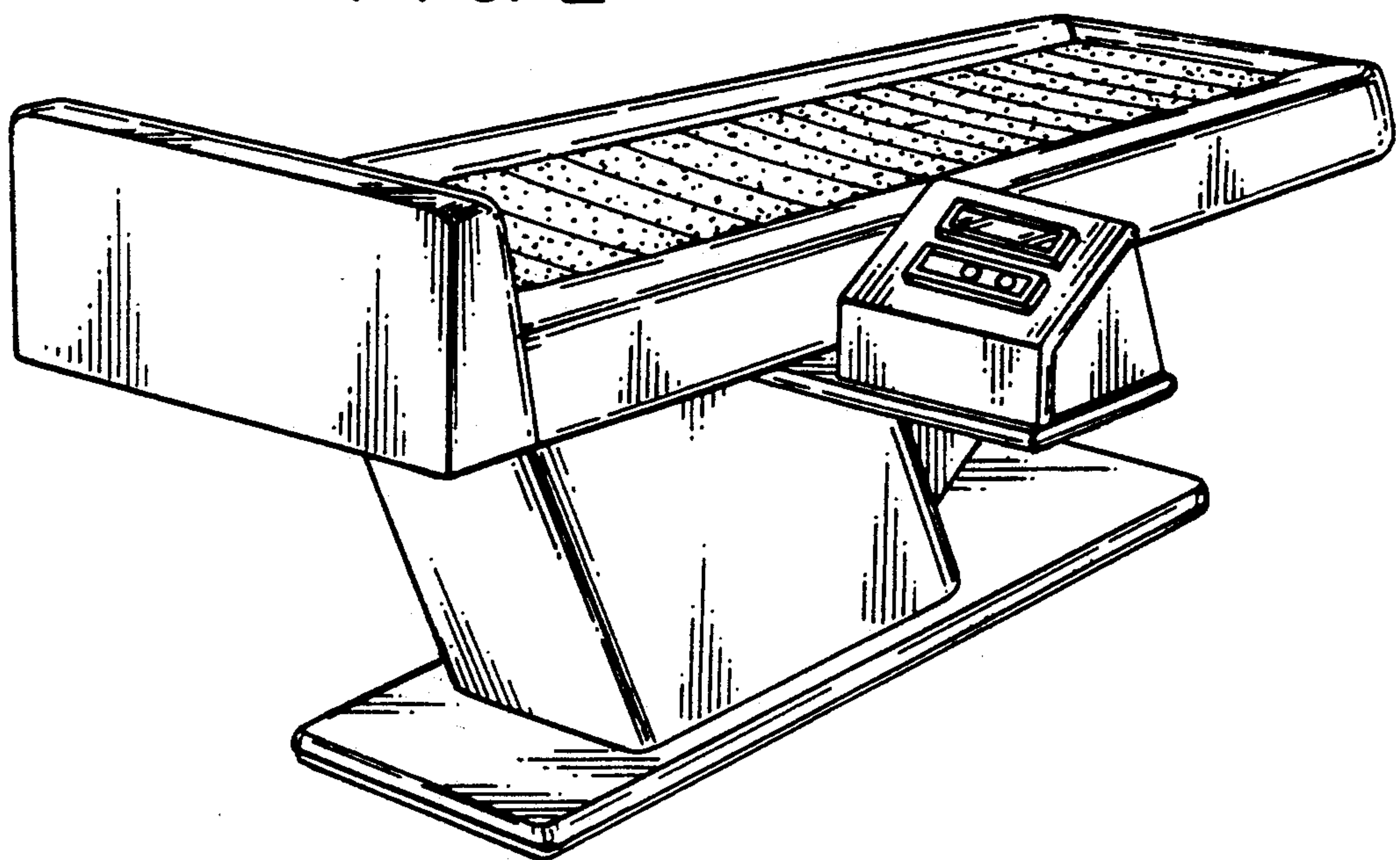


FIG. 3

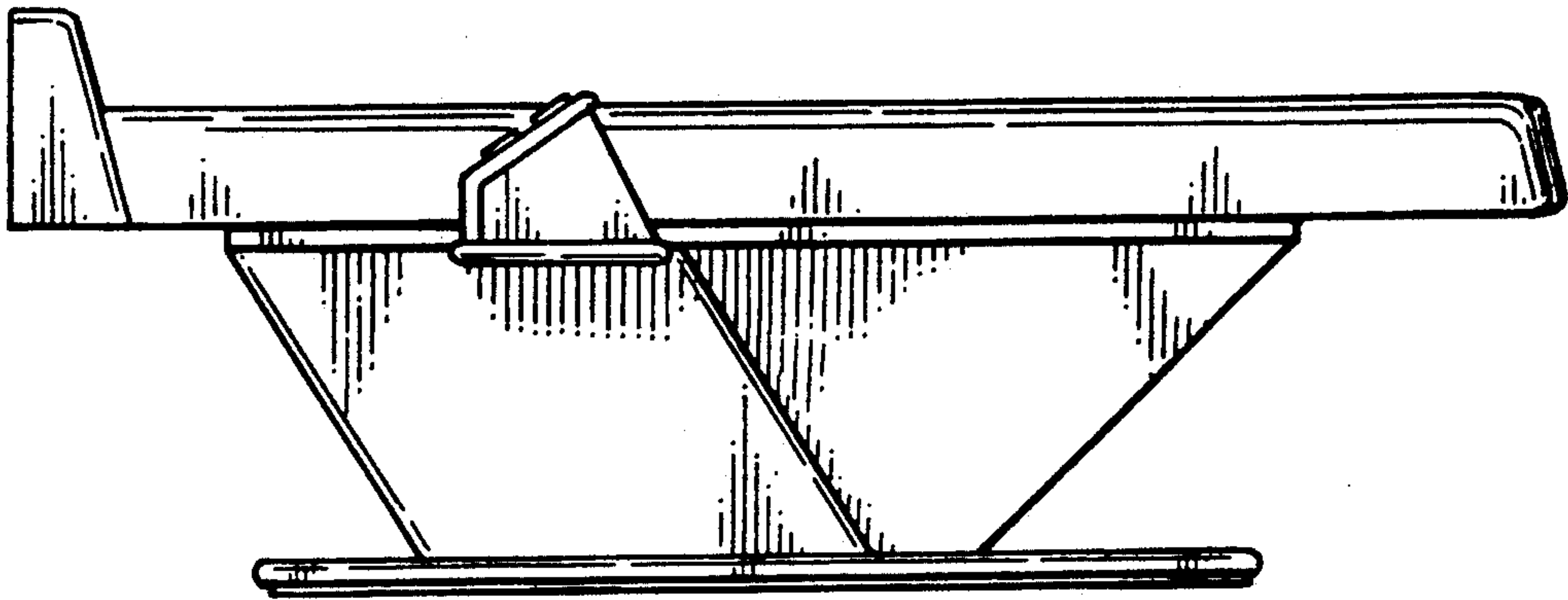


FIG. 4

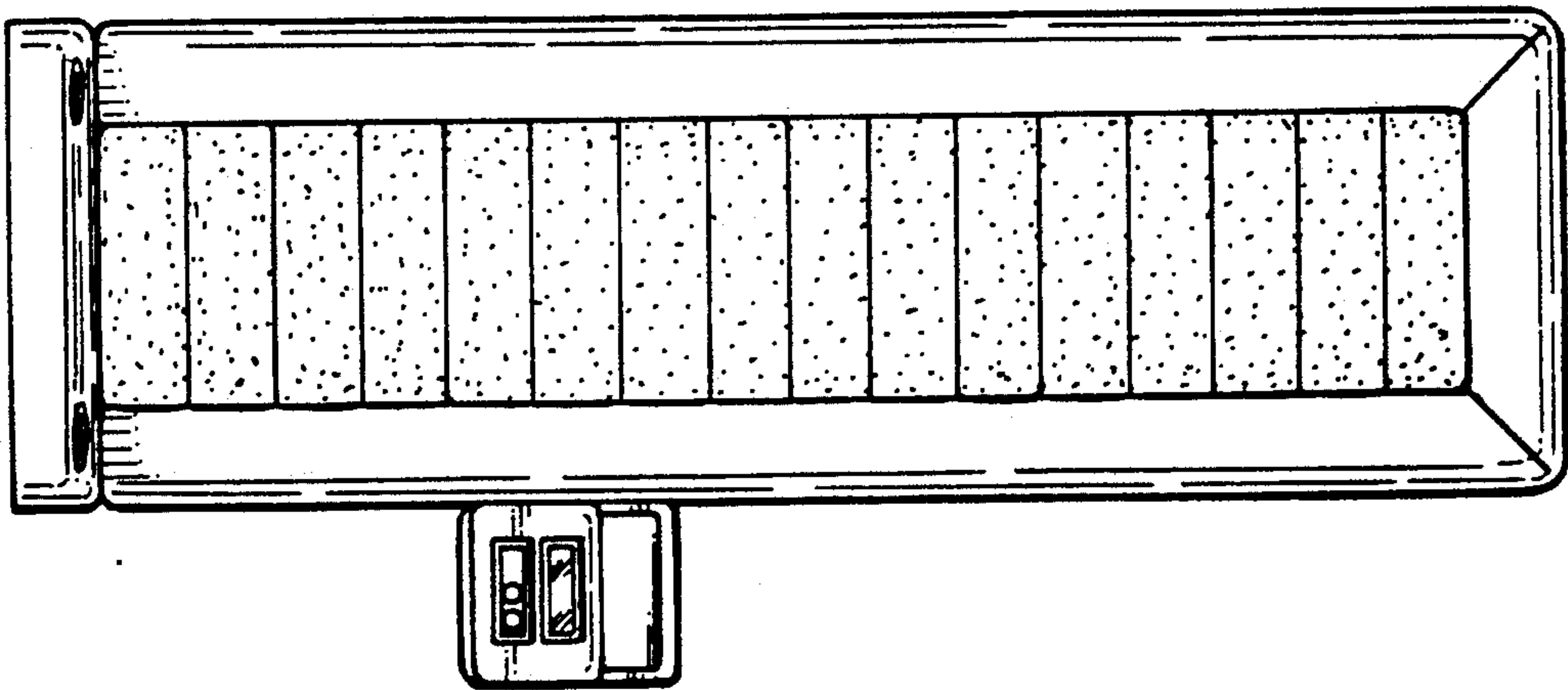


FIG. 5

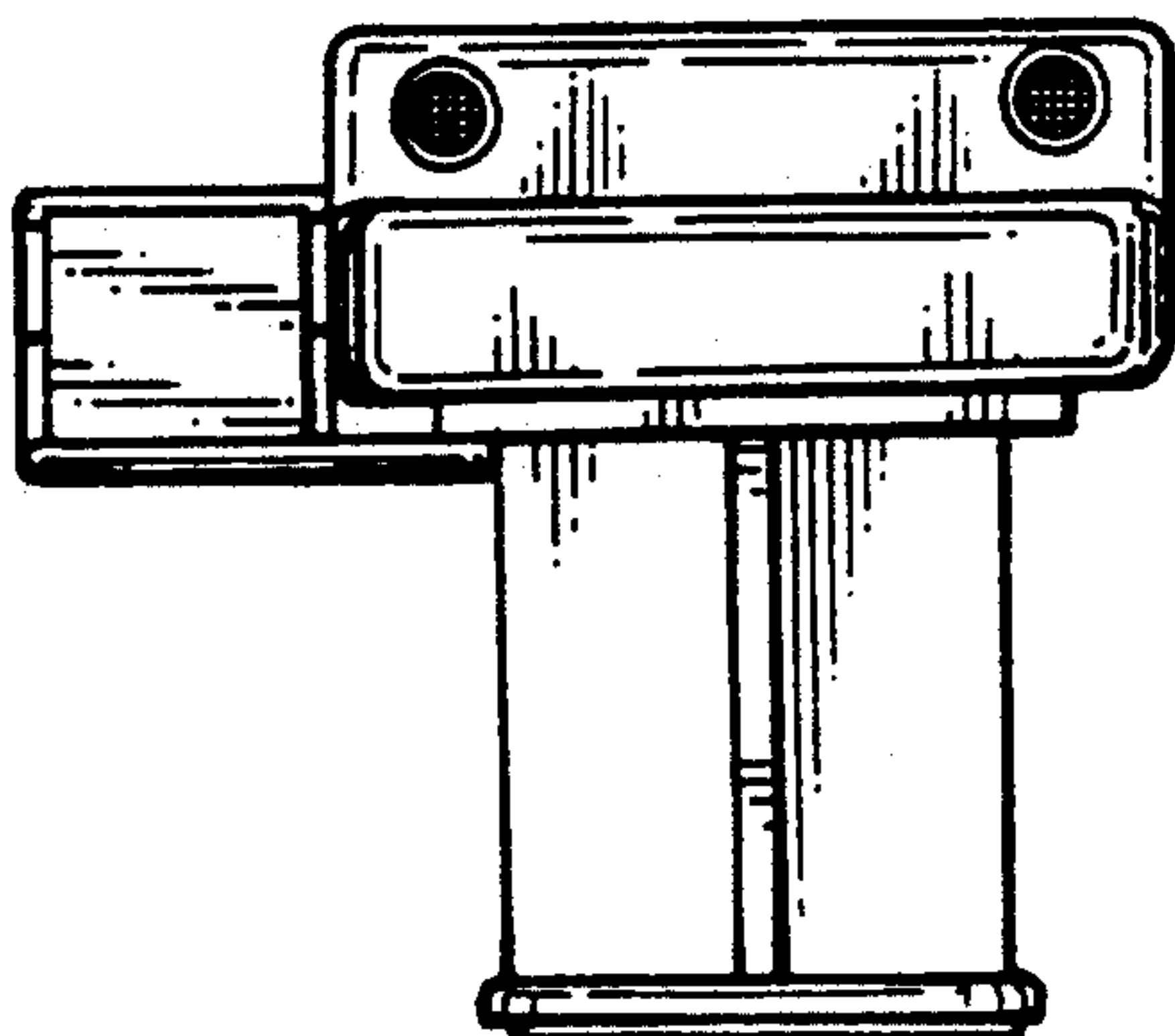


FIG. 6

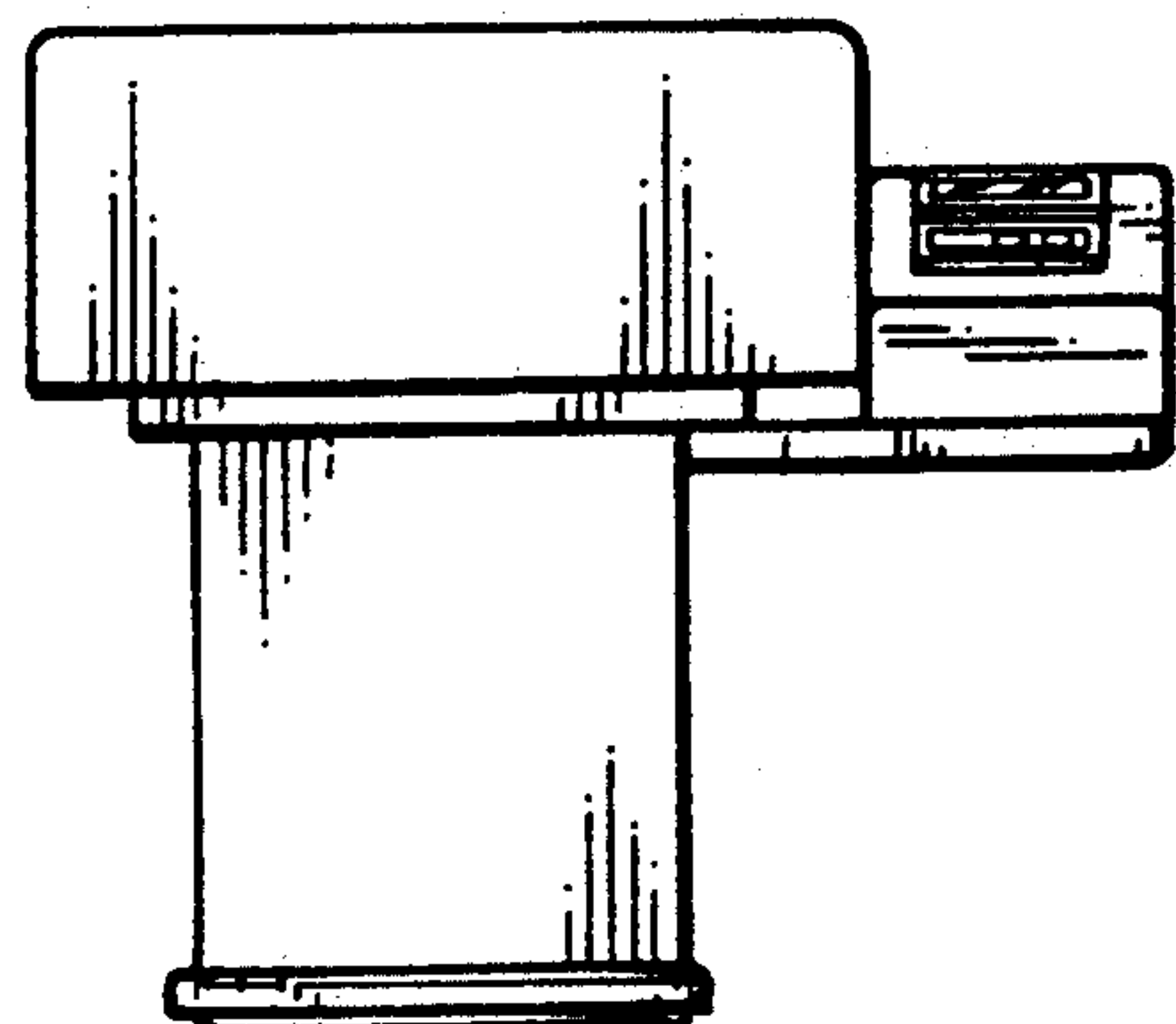


FIG. 7

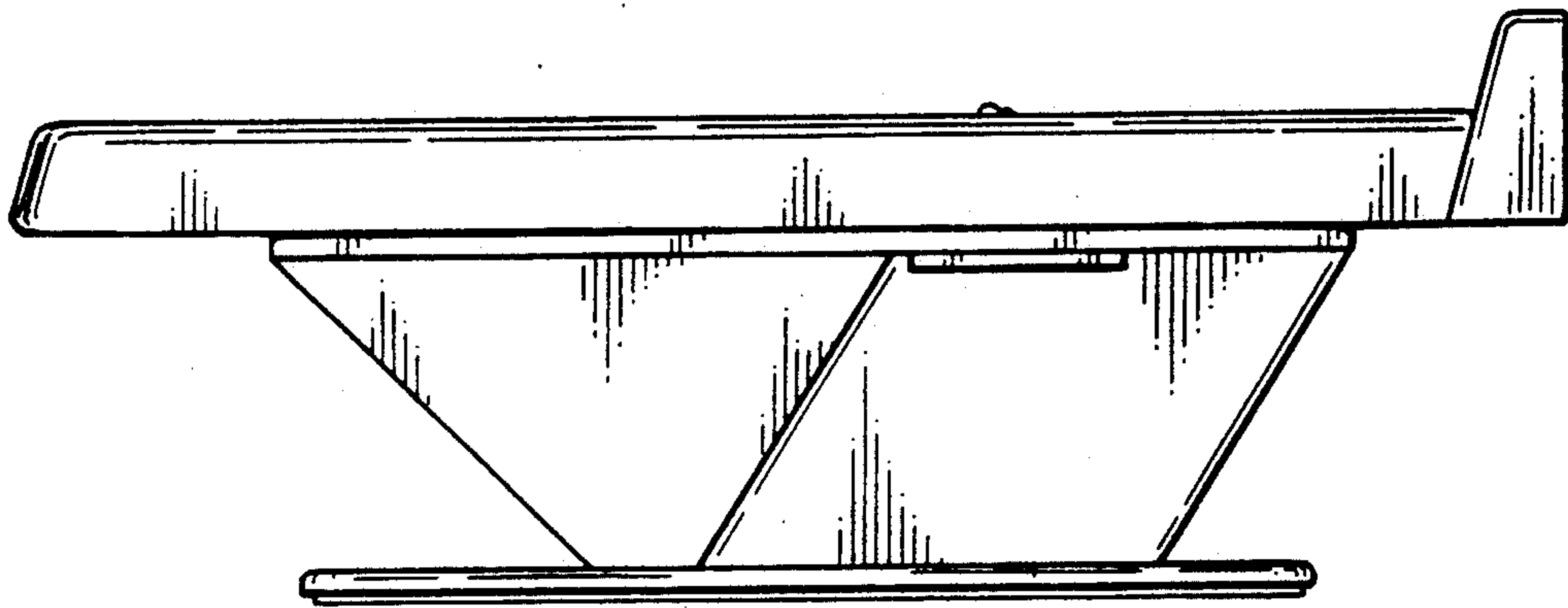


FIG. 8

