



US00D324102S

United States Patent [19]

[11] Patent Number: **Des. 324,102**

Farrar et al.

[45] Date of Patent: **** Feb. 18, 1992**

[54] **DRAINAGE DEVICE FOR DRAINING BODILY FLUIDS FROM A PATIENT**

D. 268,525	4/1983	Anderson et al.	D24/54 X
D. 271,422	11/1983	Breland	D24/56
4,018,224	4/1977	Kurtz et al.	604/321
4,439,189	3/1984	Sargeant et al.	604/317
4,704,106	11/1987	Shave et al.	604/319

[75] Inventors: **Quinton J. Farrar; Frederick A. Everett, Jr., both of Lakeville, Mass.; Richard H. Heimann, Flushing, N.Y.**

Primary Examiner—Wallace R. Burke
Assistant Examiner—H. Baynham
Attorney, Agent, or Firm—Peter C. Richardson; Lawrence C. Akers; John L. LaPierre

[73] Assignee: **Pfizer Hospital Products Group, Inc., New York, N.Y.**

[**] Term: **14 Years**

[57] CLAIM

[21] Appl. No.: **250,034**

The ornamental design of a drainage device for draining bodily fluids from a patient, as shown and described.

[22] Filed: **Sep. 27, 1988**

DESCRIPTION

[52] U.S. Cl. **D24/118**

[58] Field of Search **D24/51, 56; 604/317-321**

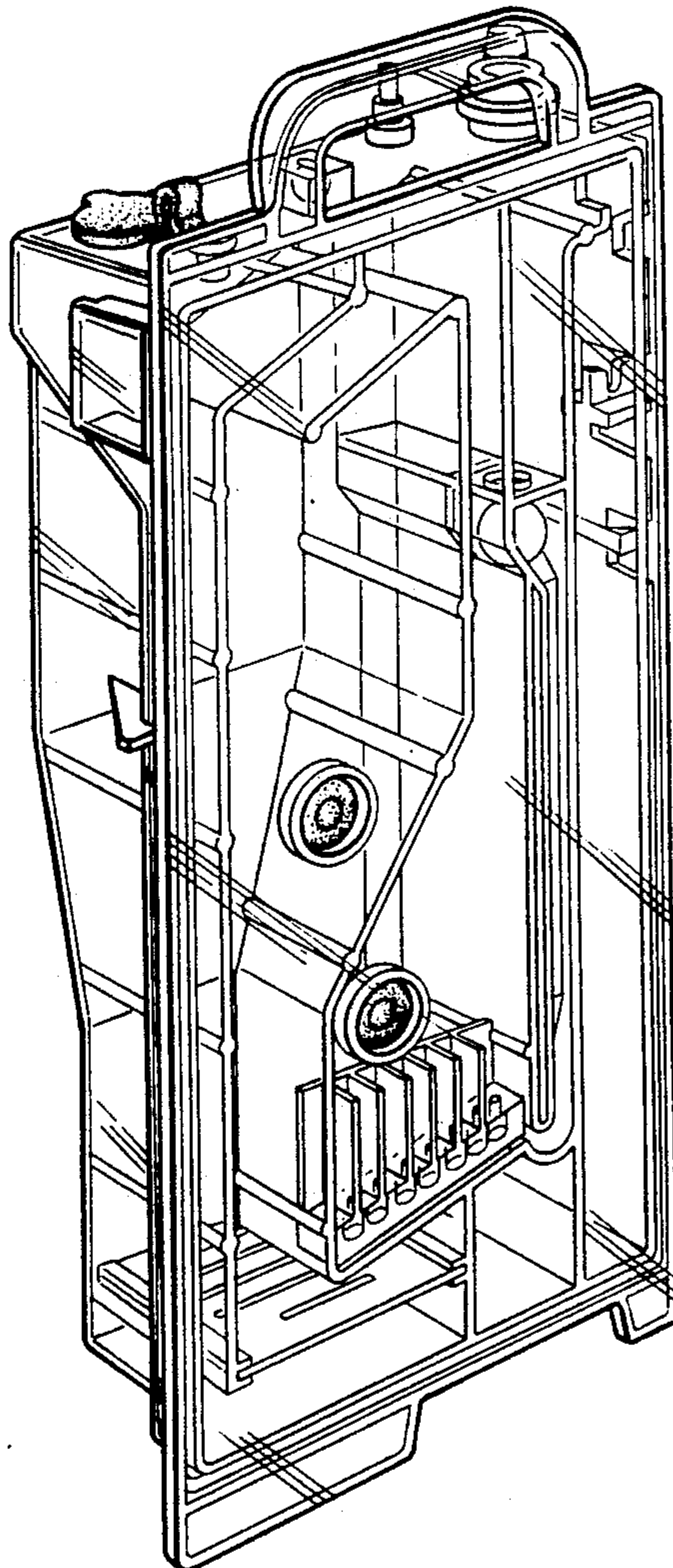
FIG. 1 is a front elevational view of a drainage device for draining bodily fluids from a patient showing our new design;

[56] References Cited

U.S. PATENT DOCUMENTS

D. 245,372	8/1977	Kurtz et al.	D24/59
D. 250,207	11/1978	Kurtz et al.	D24/59
D. 255,937	7/1980	Kurtz et al.	D24/59
D. 263,168	2/1982	Kurtz et al.	D24/51

FIG. 2 is a right side elevational view thereof;
FIG. 3 is a left side elevational view thereof;
FIG. 4 is a top plan view thereof;
FIG. 5 is a bottom plan view thereof;
FIG. 6 is a rear elevational view thereof; and
FIG. 7 is a front perspective view thereof.



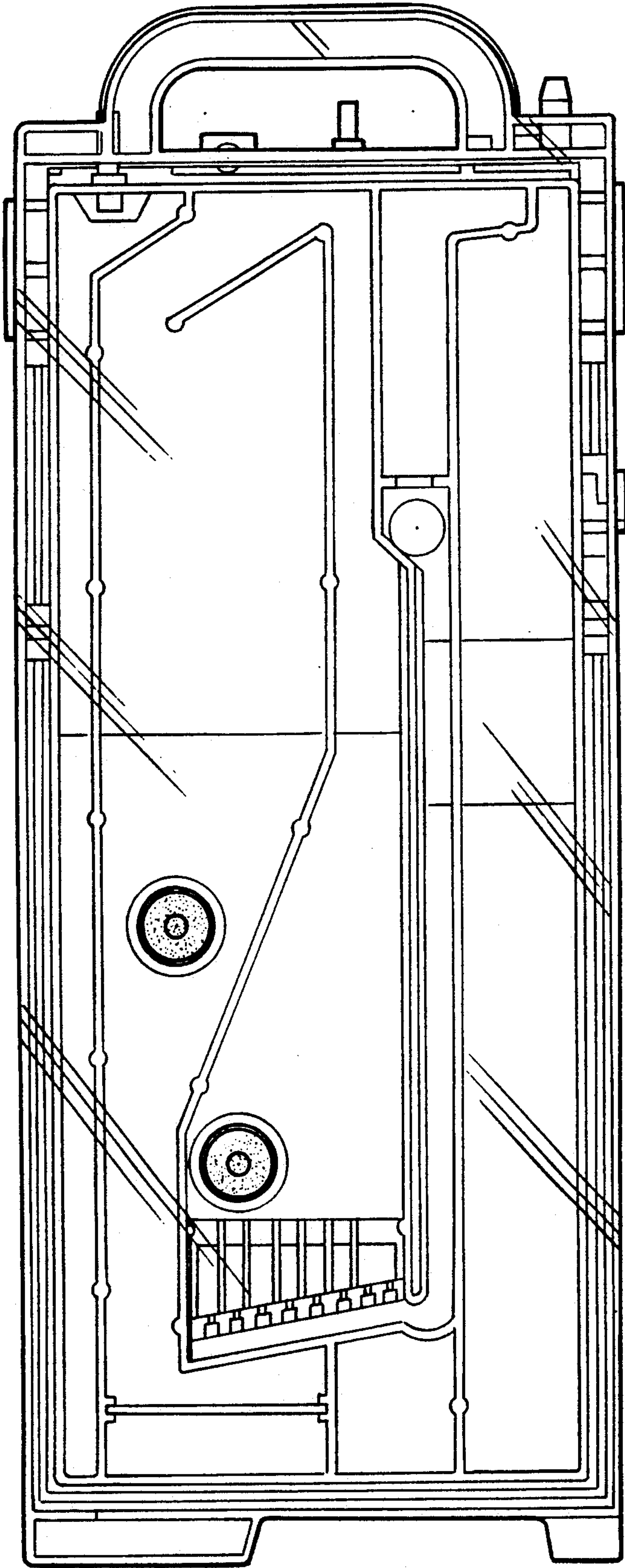


Fig. 1.

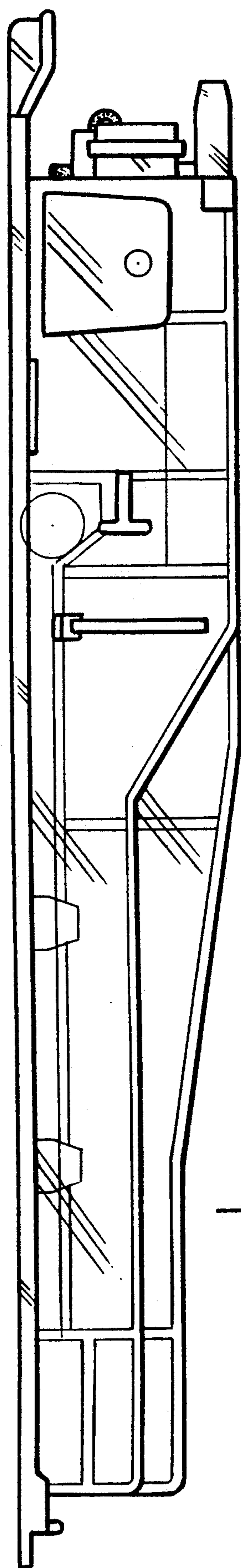


Fig. 2.

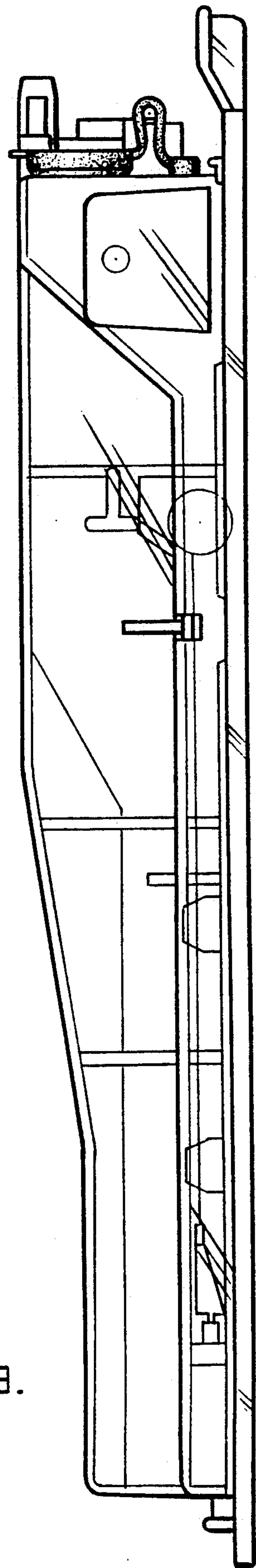


Fig. 3.

Fig. 4.

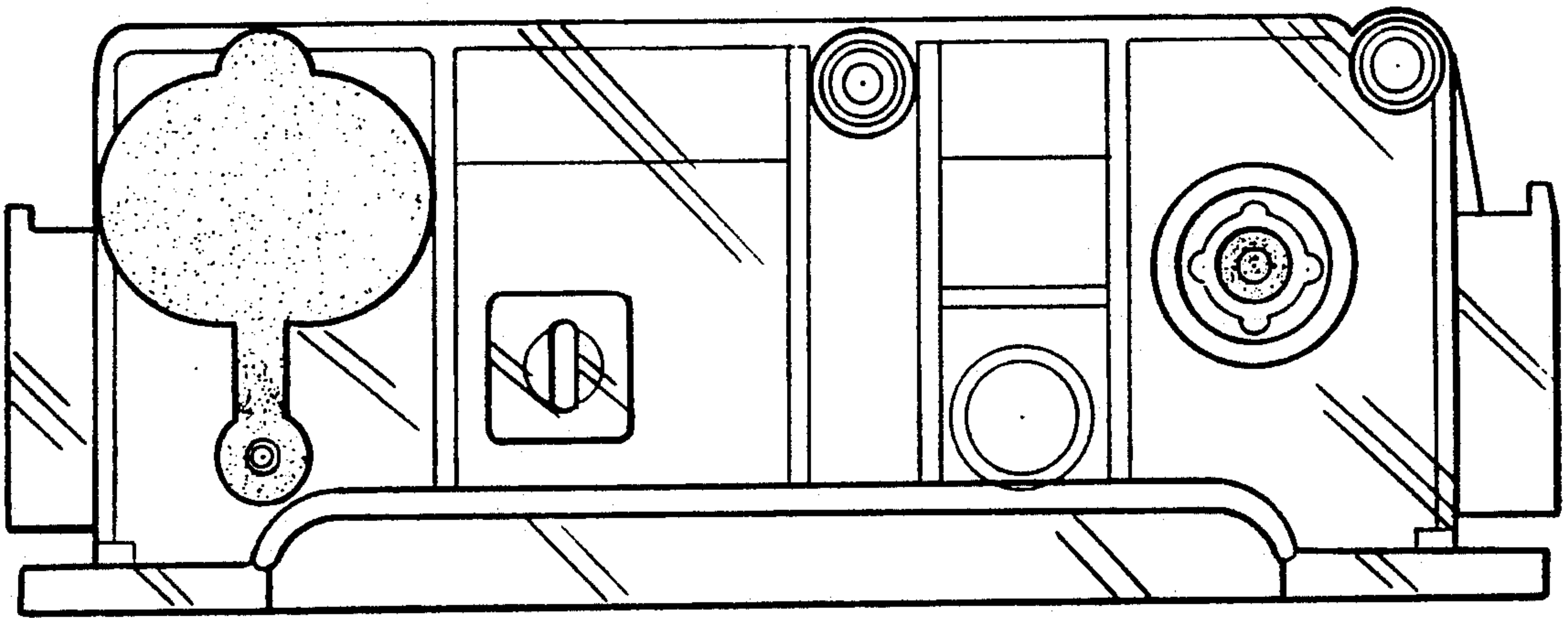
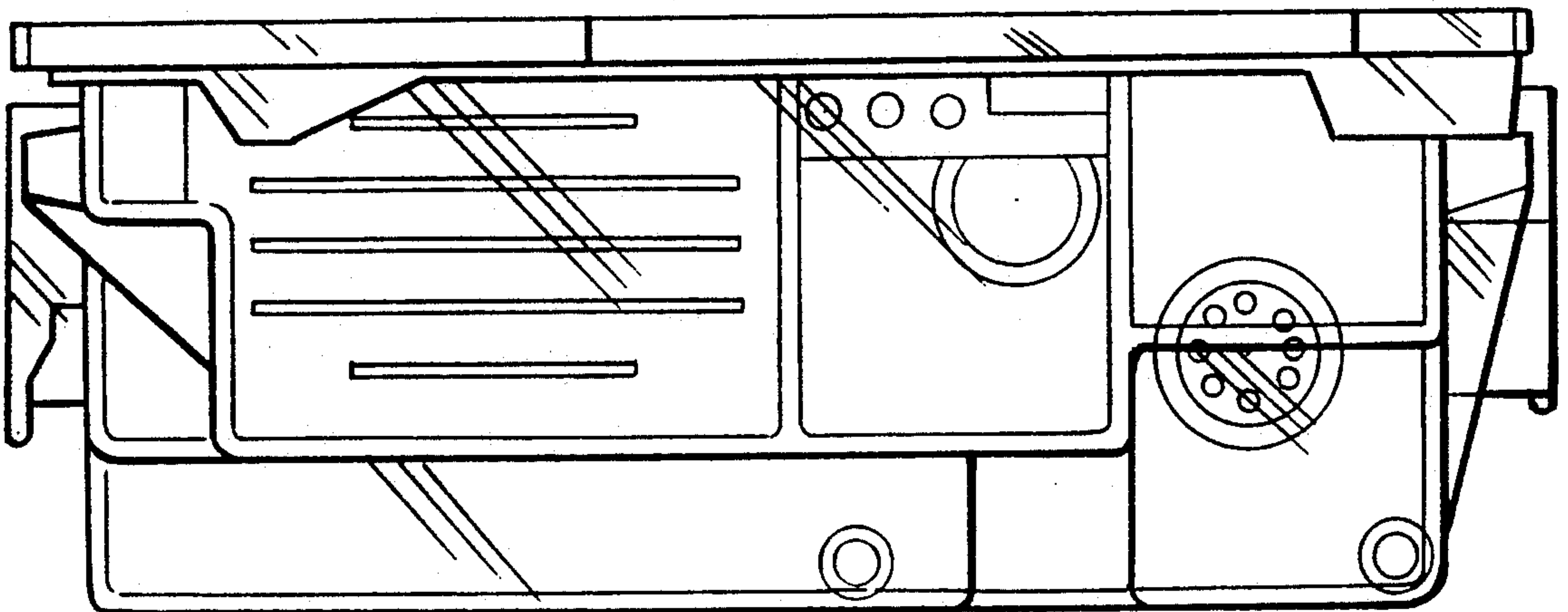


Fig. 5.



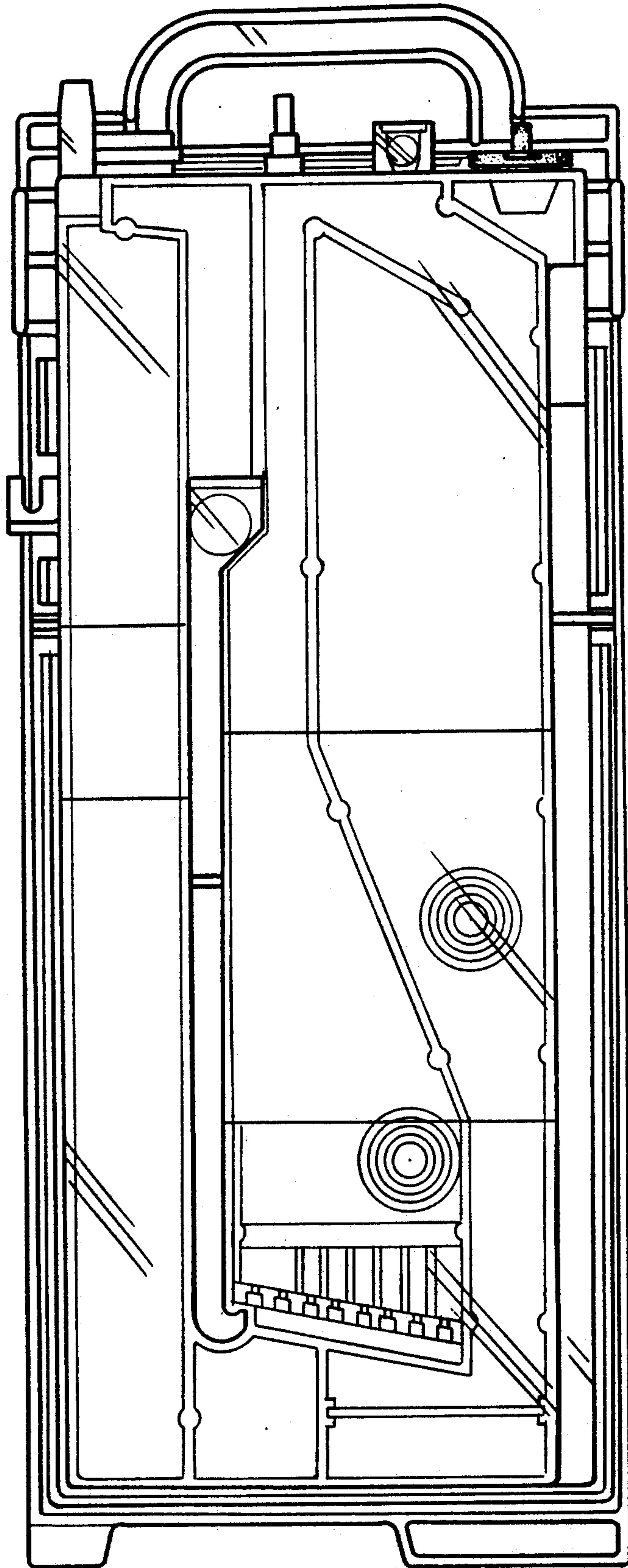


Fig. 6.

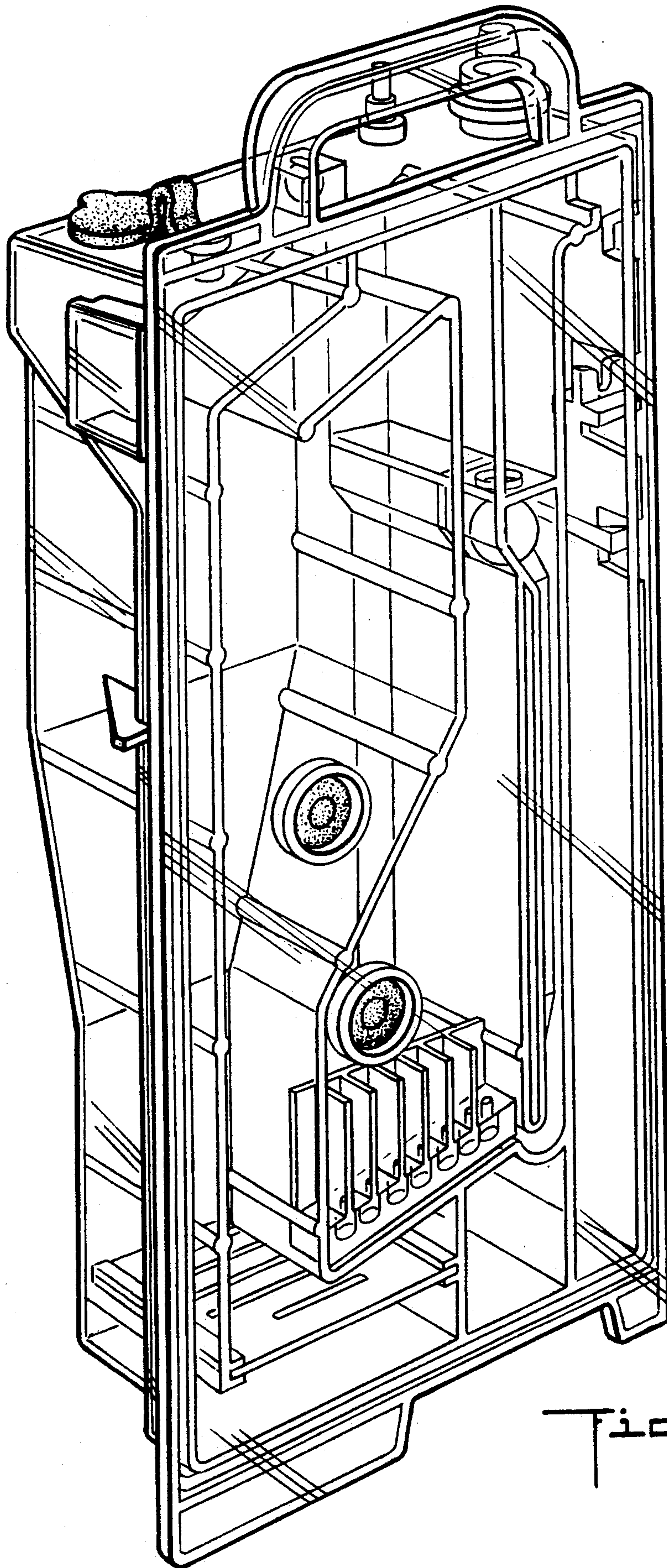


Fig. 7.