



US00D324101S

United States Patent [19]

[11] Patent Number: **Des. 324,101**

Reif et al.

[45] Date of Patent: **** Feb. 18, 1992**

[54] URINARY CATHETER

[56] References Cited

[76] Inventors: **Thomas H. Reif**, 7616 Hemann Cir., Milton, Fla. 32570; **Louis E. Warnken**, 197 Lindall Dr., Germantown, Ohio 45327; **Roy A. Snyder**, 8705 Cheshire Ct., Jessup, Md. 20794

U.S. PATENT DOCUMENTS

D. 252,470	7/1979	Pawlak	D24/54
4,571,241	2/1986	Christopher	604/247 X
4,622,033	11/1986	Taniguchi	604/265 X
4,723,946	2/1988	Kay	604/267
4,813,935	3/1989	Haber et al.	604/246 X

Primary Examiner—Stella Reid
Attorney, Agent, or Firm—Albert H. Reuther

[**] Term: **14 Years**

[57] CLAIM

[21] Appl. No.: **660,592**

The ornamental design for a urinary catheter, as shown and described.

[22] Filed: **Feb. 25, 1991**

DESCRIPTION

Related U.S. Application Data

[62] Division of Ser. No. 167,438, Mar. 14, 1988, Pat. No. Des. 315,411.

[52] U.S. Cl. **D24/112**

[58] Field of Search D24/54; 604/53, 99, 604/103, 104, 171, 246, 247, 249, 267, 265, 349; 128/DIG. 25

FIG. 1 is a perspective view of a urinary catheter, showing our new design;
FIG. 2 is a top plan view thereof;
FIG. 3 is a bottom plan view thereof shown in FIG. 2;
FIG. 4 is an end elevational view thereof;
FIG. 5 is an end elevational view thereof, opposite that shown in FIG. 4;
FIG. 6 is a side elevational view thereof; and
FIG. 7 is a side elevational view thereof, opposite that shown in FIG. 6.

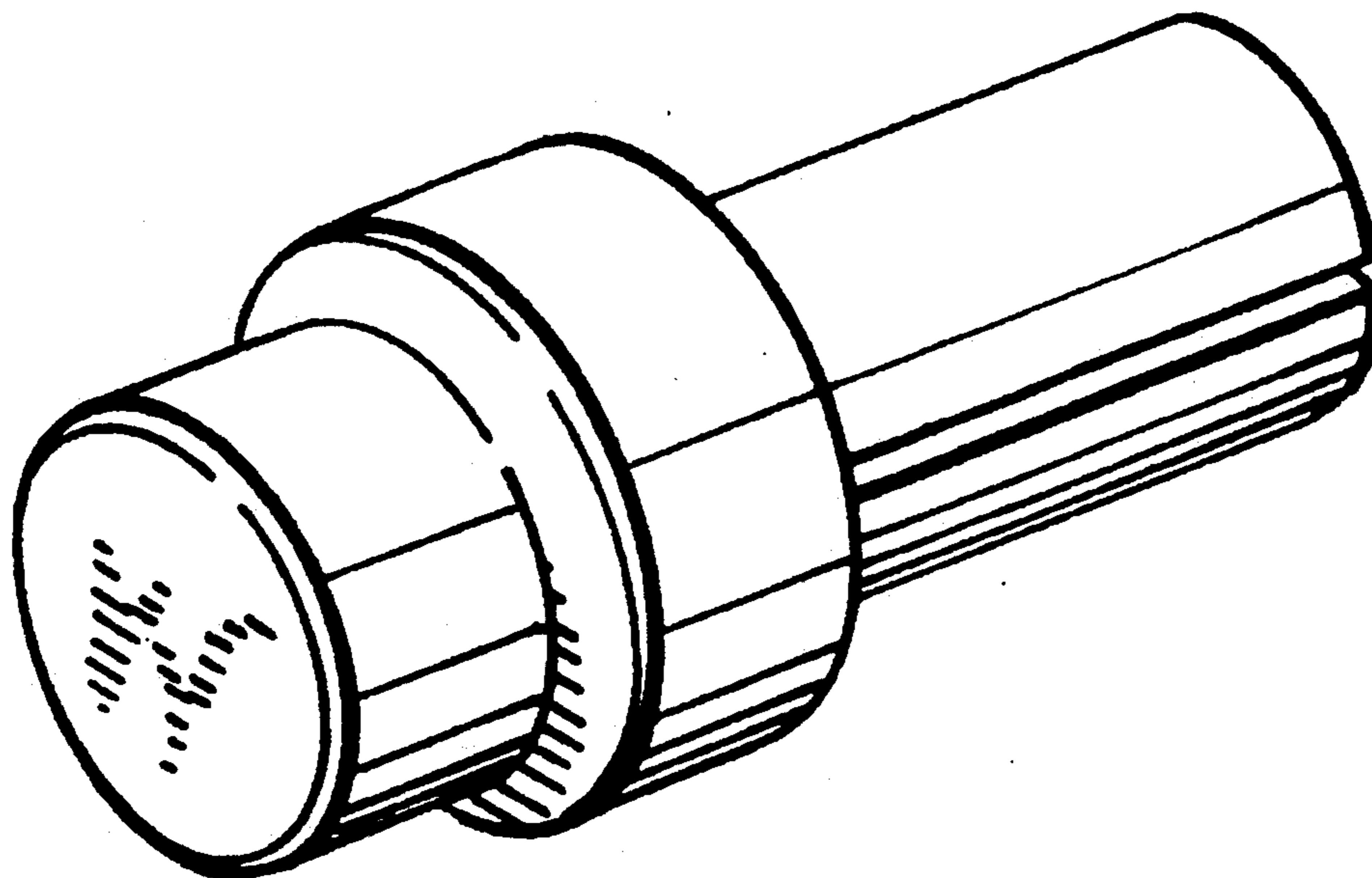


FIG-1

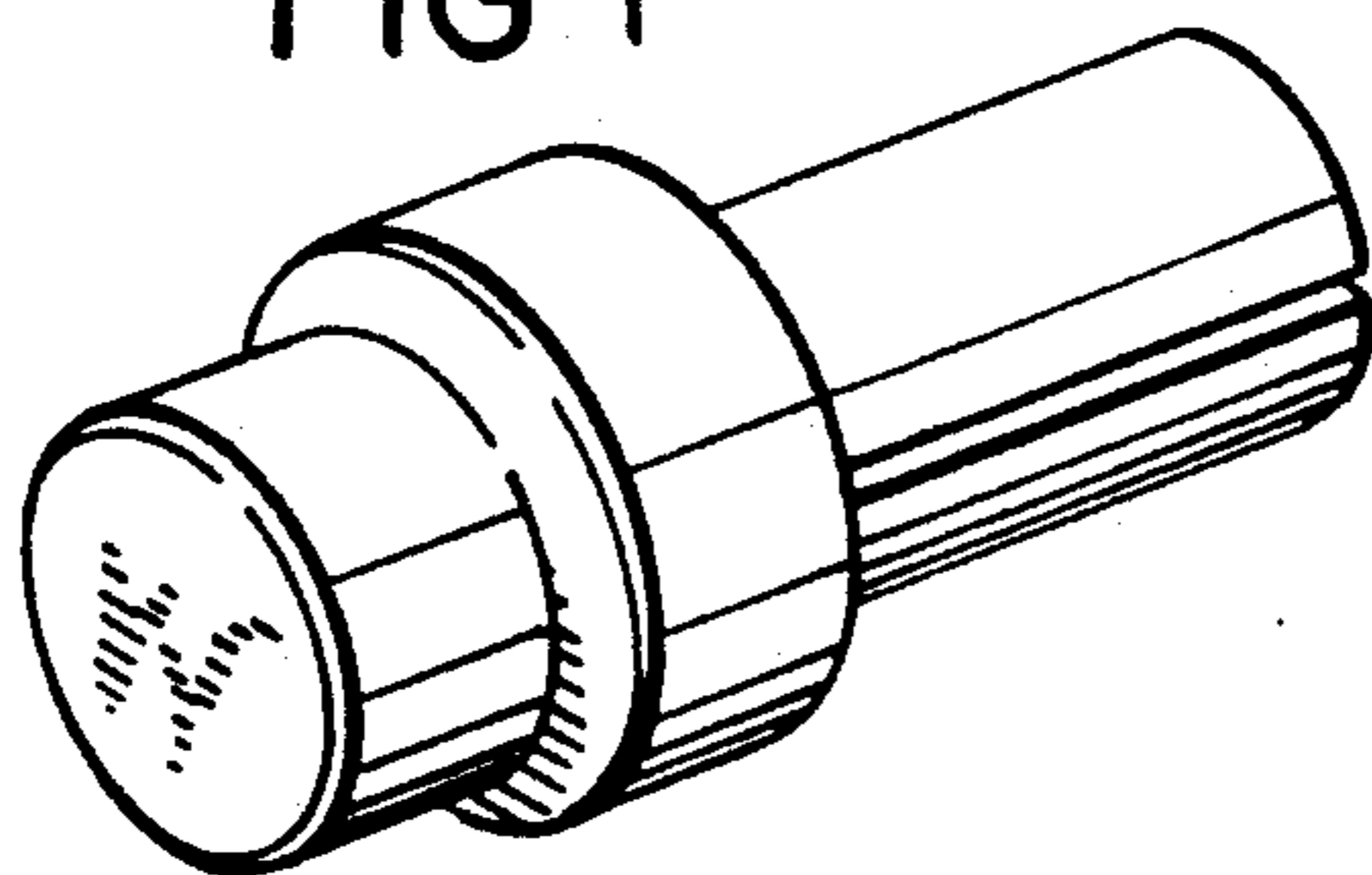


FIG-5

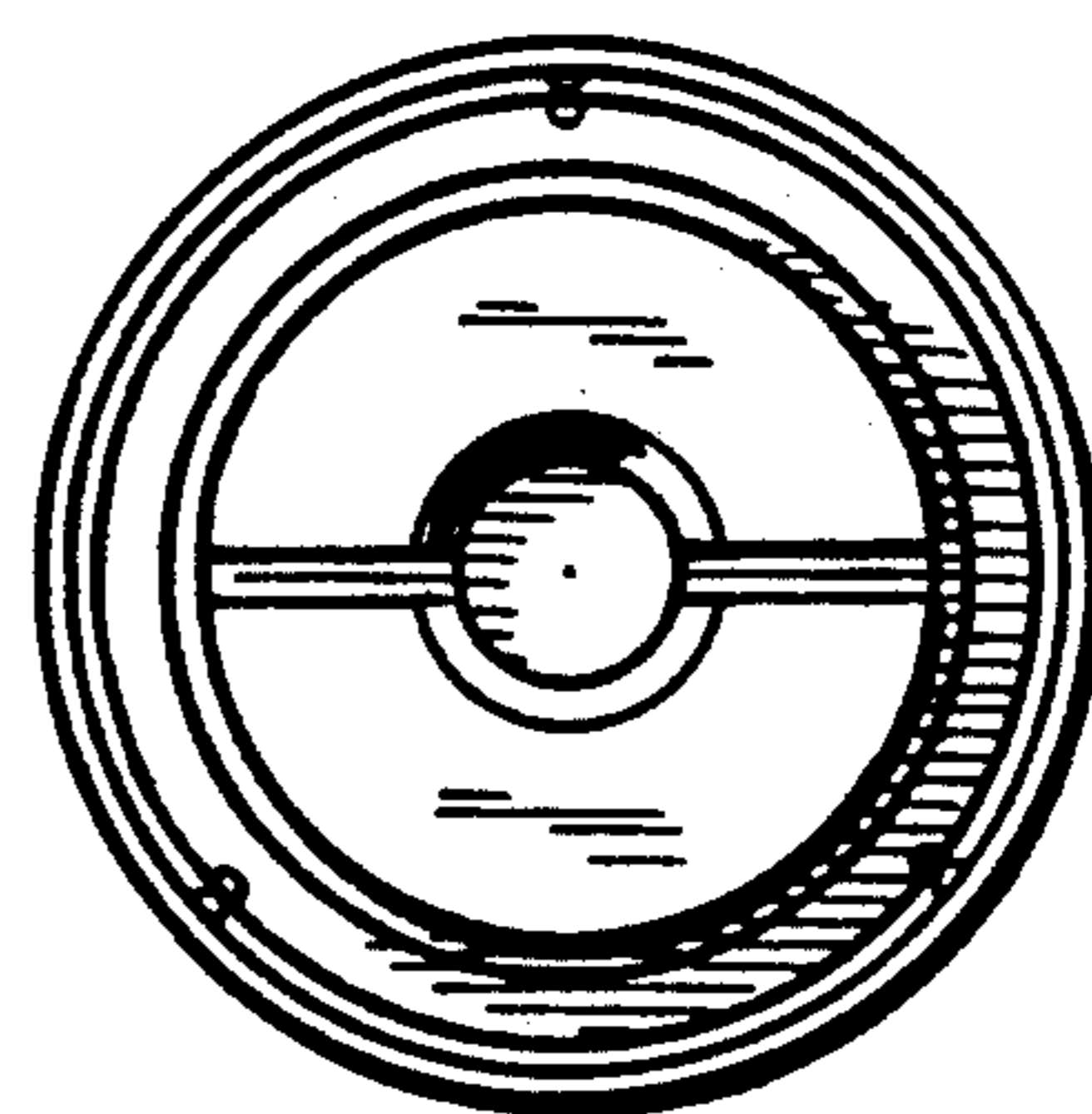


FIG-4

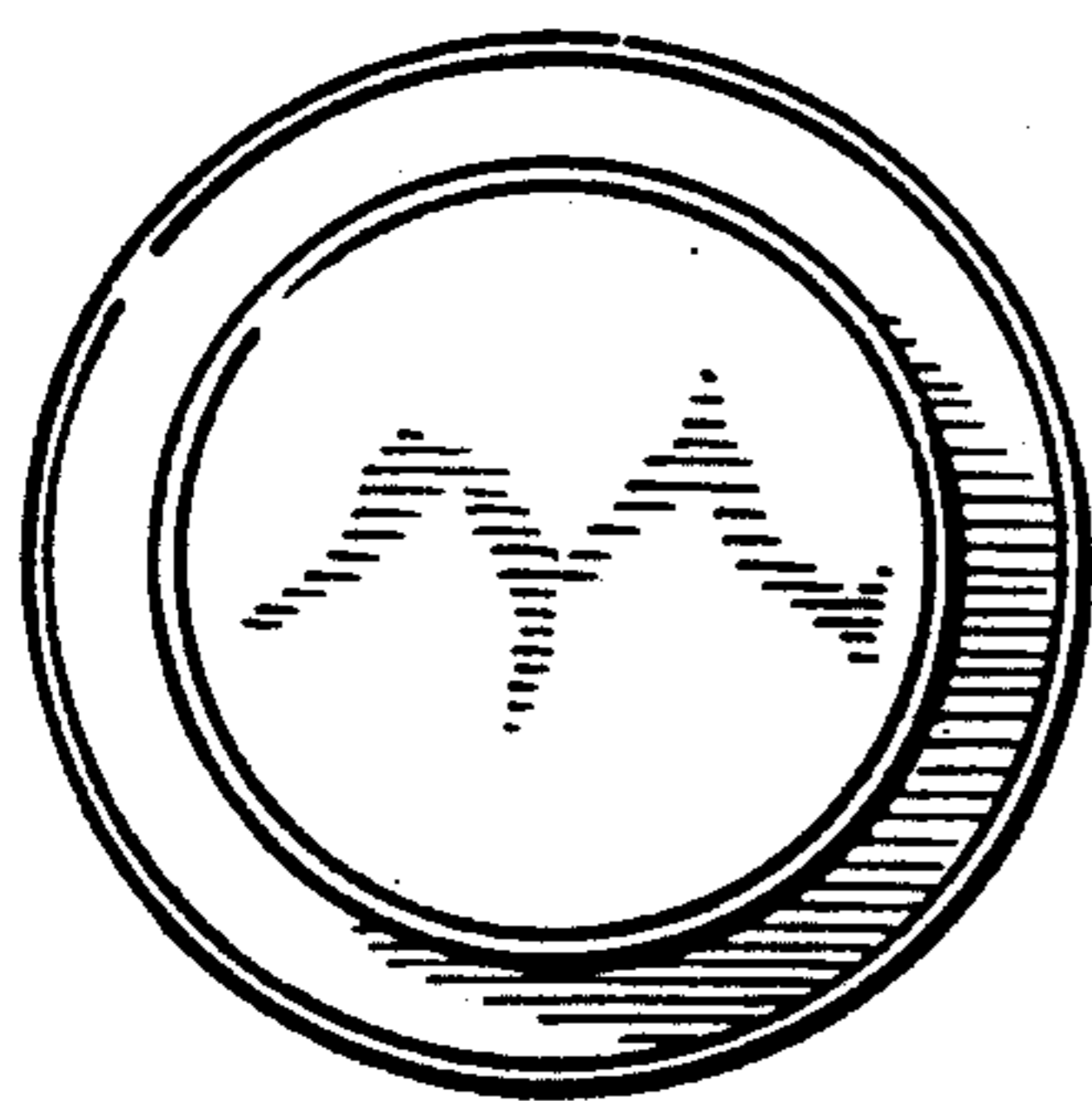


FIG-6

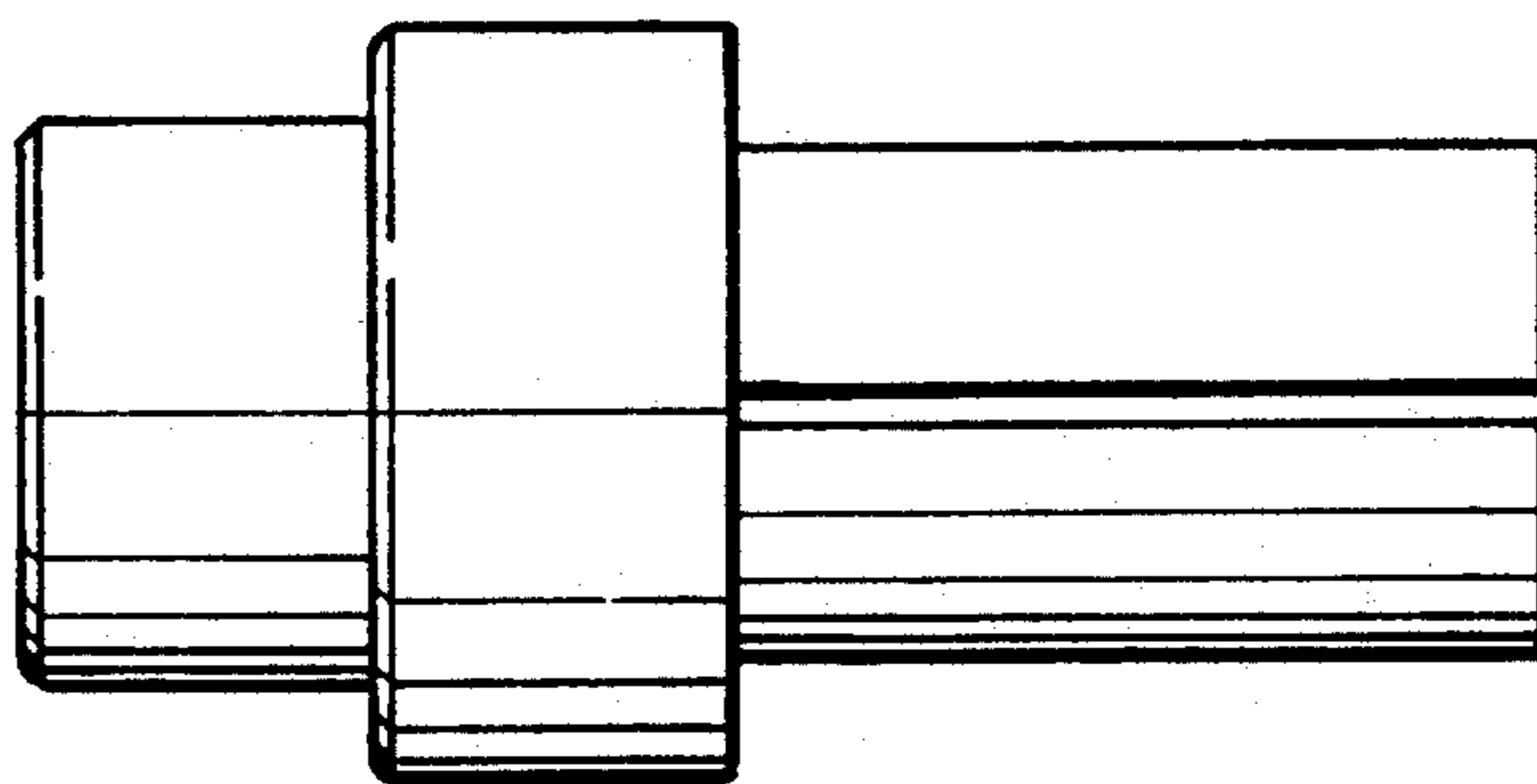


FIG-2

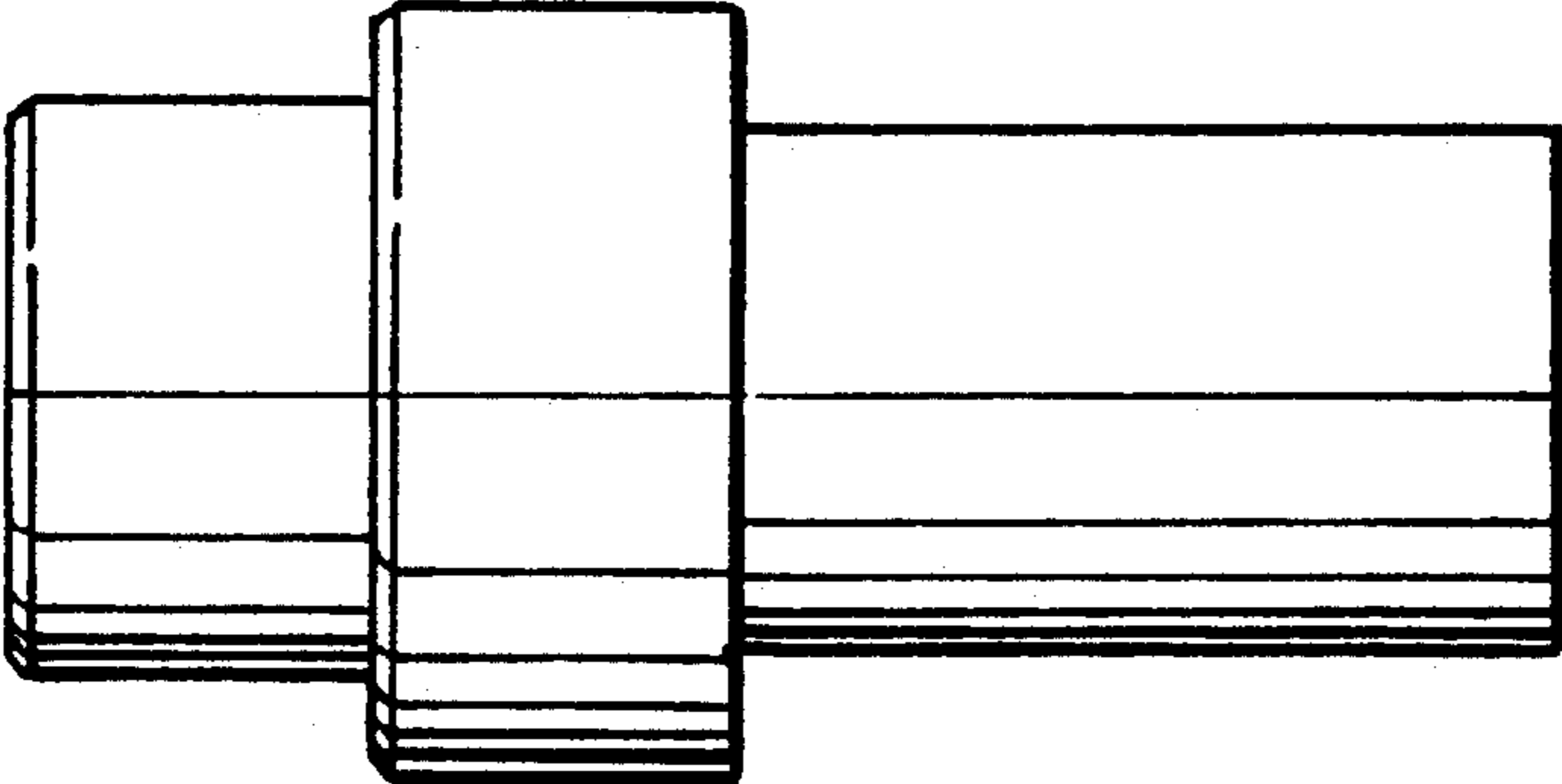


FIG-3

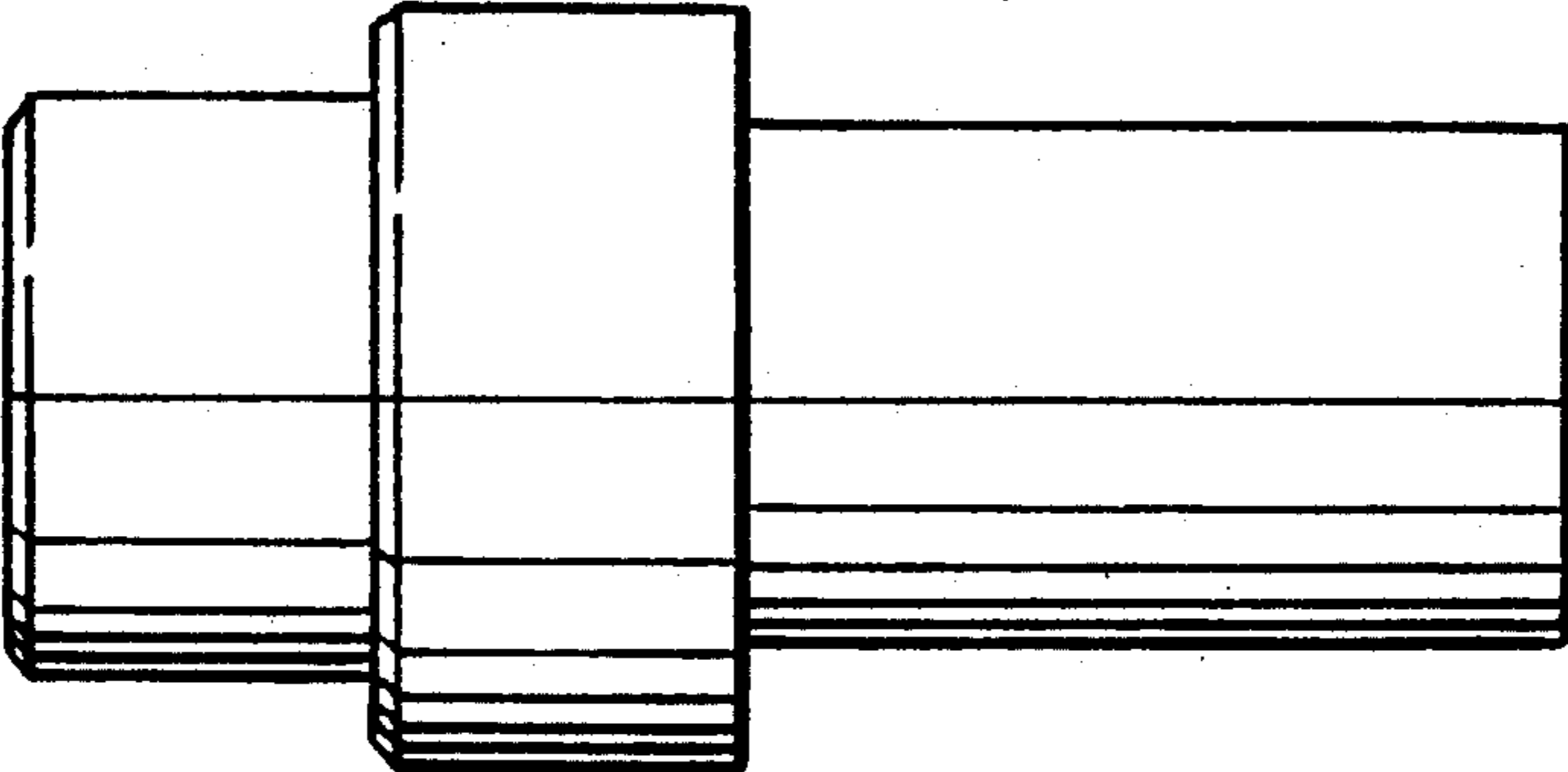


FIG-7

