



US00D324100S

United States Patent [19]

[11] Patent Number: **Des. 324,100**

Holbrook

[45] Date of Patent: **** Feb. 18, 1992**

[54] CEILING FAN MOTOR HOUSING

[75] Inventor: **Richard M. Holbrook**, Redondo Beach, Calif.

[73] Assignee: **Casablanca Fan Company, Inc.**, City of Industry, Calif.

[**] Term: **14 Years**

[21] Appl. No.: **516,829**

[22] Filed: **Apr. 30, 1990**

[52] U.S. Cl. **D23/411**

[58] Field of Search **D23/377, 385, 378, 379, D23/411, 413, 382; 416/5, 246**

[56] References Cited

U.S. PATENT DOCUMENTS

| | | | |
|-----------|---------|----------|---------|
| 1,699,201 | 1/1929 | Guth | 416/5 |
| 1,744,270 | 1/1930 | Kellogg | 416/5 |
| 2,056,041 | 9/1936 | Erbach | D23/385 |
| 4,402,649 | 9/1983 | Laurel | 416/5 |
| 4,518,314 | 5/1985 | Schultz | D23/411 |
| 4,626,970 | 12/1986 | Huang | D23/411 |
| 4,936,751 | 6/1990 | Marshall | 416/246 |

OTHER PUBLICATIONS

Hunter Fan Co. Cat., ©1987, p. 26, Ceiling Fan 22930, top of page.

Grainger's Spring '86 Cat., p. 1283, ceiling fan swag kit, bottom right side of page.

Primary Examiner—James M. Gandy
Assistant Examiner—Lisa Lichtenstein
Attorney, Agent, or Firm—Charles H. Schwartz;
Ellsworth R. Roston

[57] CLAIM

The ornamental design for a ceiling fan motor housing, as shown and described.

DESCRIPTION

FIG. 1 is a bottom and side perspective view of a ceiling fan motor housing showing my new design.

The broken line showing of environmental structure is for illustrative purposes only and forms no part of the claimed design;

FIG. 2 is an enlarged side elevational view thereof, the other side views being substantially identical; and

FIG. 3 is an enlarged top plan view thereof, the bottom plan view being substantially identical.

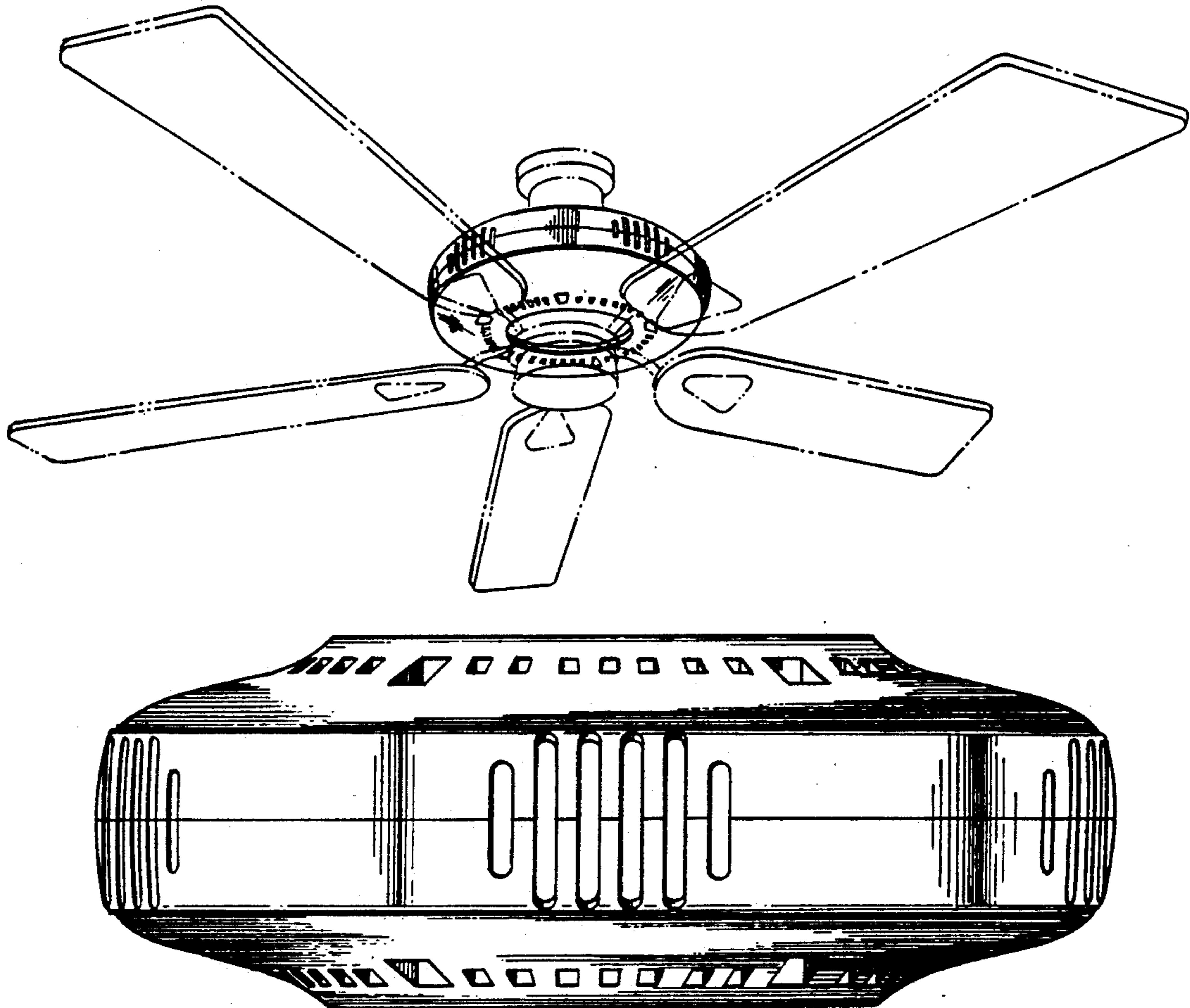


FIG. 1

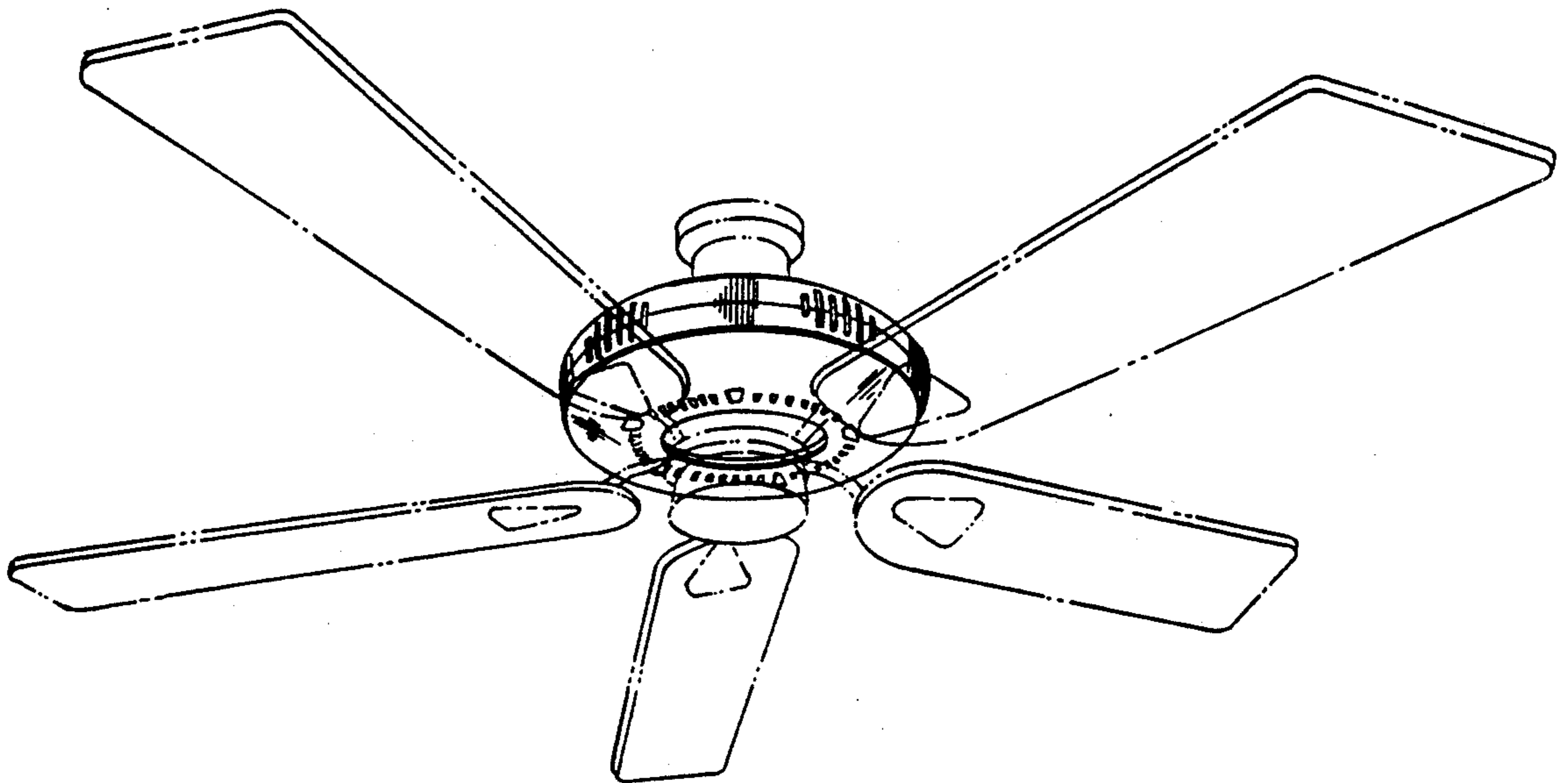


FIG. 2

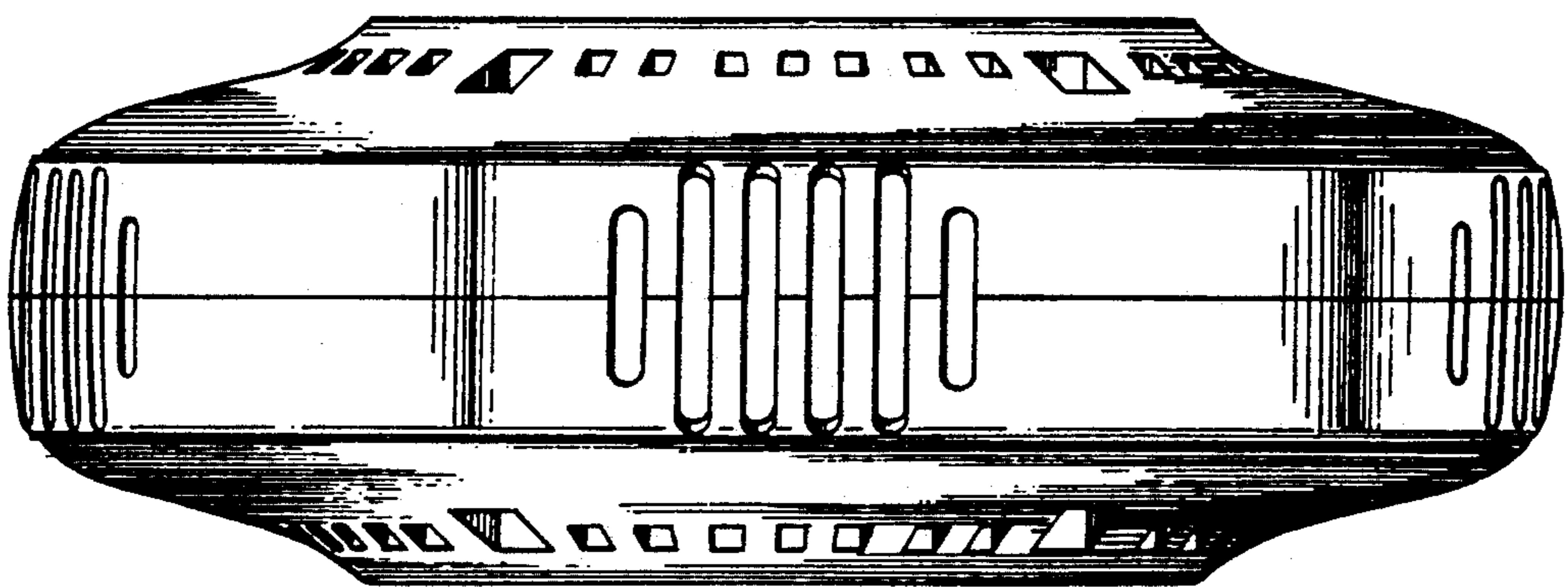


FIG. 3

