



US00D324092S

United States Patent [19]

[11] Patent Number: **Des. 324,092**

Baugh et al.

[45] Date of Patent: **** Feb. 18, 1992**

[54] **SPINNING FISHING REEL**

FOREIGN PATENT DOCUMENTS

[75] Inventors: **Ben Baugh, Wichita, Kans.; Richard J. Feehan, Pawnee, Okla.**

756207 8/1956 United Kingdom D22/141 X

[73] Assignee: **Zebco Corporation, Tulsa, Okla.**

OTHER PUBLICATIONS

Cabela's 1988 Spring, p. 4, Quick Spinning Reel.

[**] Term: **14 Years**

Primary Examiner—A. Hugo Word

Assistant Examiner—Doris V. Coles

[21] Appl. No.: **402,434**

Attorney, Agent, or Firm—Wood, Phillips, Mason, Recktenwald & Van Santen

[22] Filed: **Sep. 5, 1989**

[57] CLAIM

[52] U.S. Cl. **D22/141**

The ornamental design of a spinning fishing reel, as shown and described.

[58] Field of Search **D22/141; 242/230-233, 242/237, 245, 246**

DESCRIPTION

[56] References Cited

U.S. PATENT DOCUMENTS

D. 178,599	8/1956	Genero et al.	D22/141
D. 223,605	5/1972	Endo et al.	D22/141
D. 230,591	3/1974	Underwood	D22/141
2,229,470	1/1941	Pezon	242/232
2,852,205	9/1958	Beger	242/237
2,942,798	6/1960	Alinari	242/232
4,289,283	9/1981	Morimoto	D22/141 X

FIG. 1 is a rear, bottom and side perspective view of a spinning fishing reel, showing our new design;

FIG. 2 is an elevational view from one side thereof;

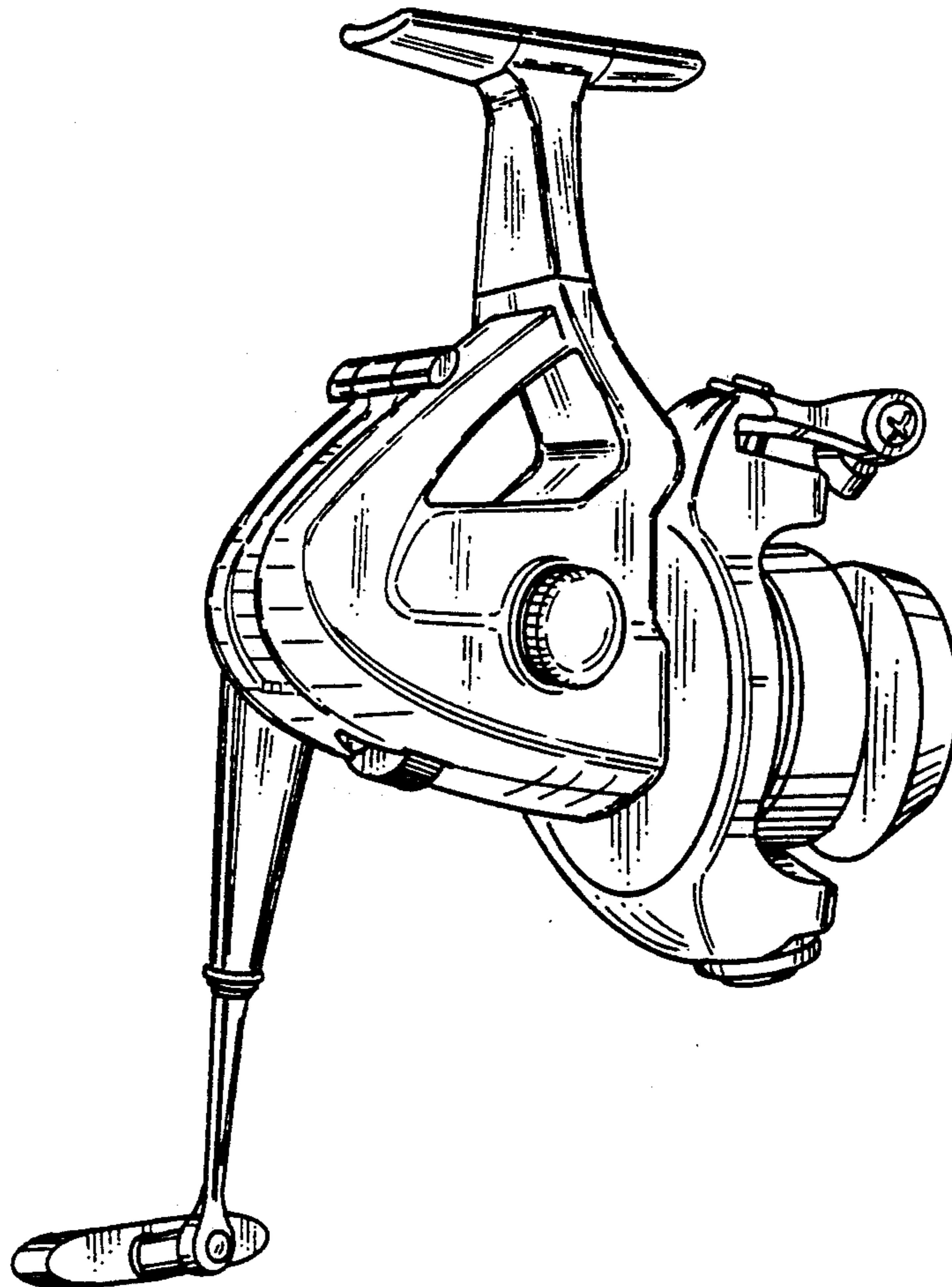
FIG. 3 is an elevational view from a side opposite that in FIG. 2;

FIG. 4 is a top plan view thereof;

FIG. 5 is a bottom plan view thereof;

FIG. 6 is a front elevational view thereof; and

FIG. 7 is a rear elevational view thereof.



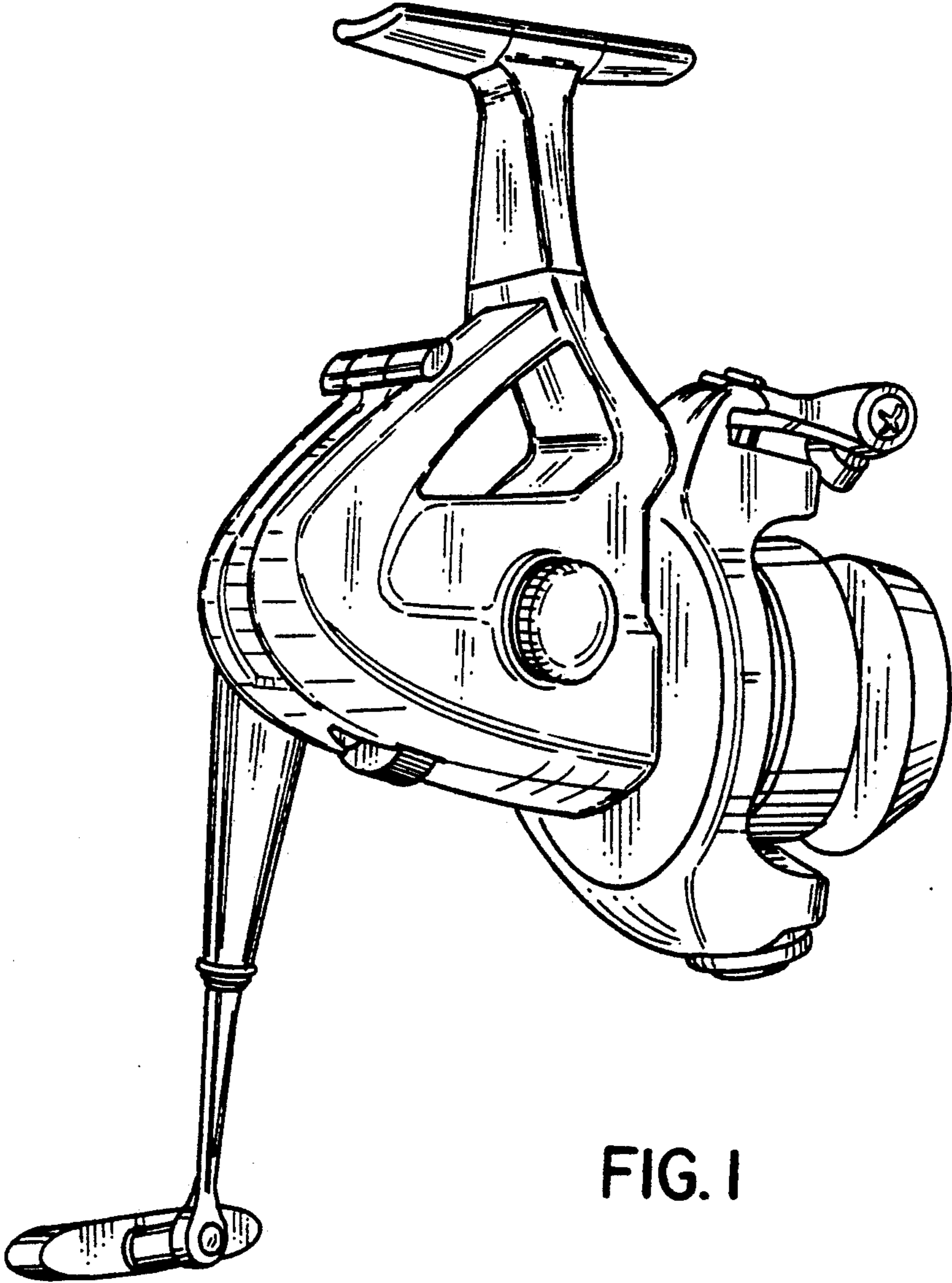


FIG. 1

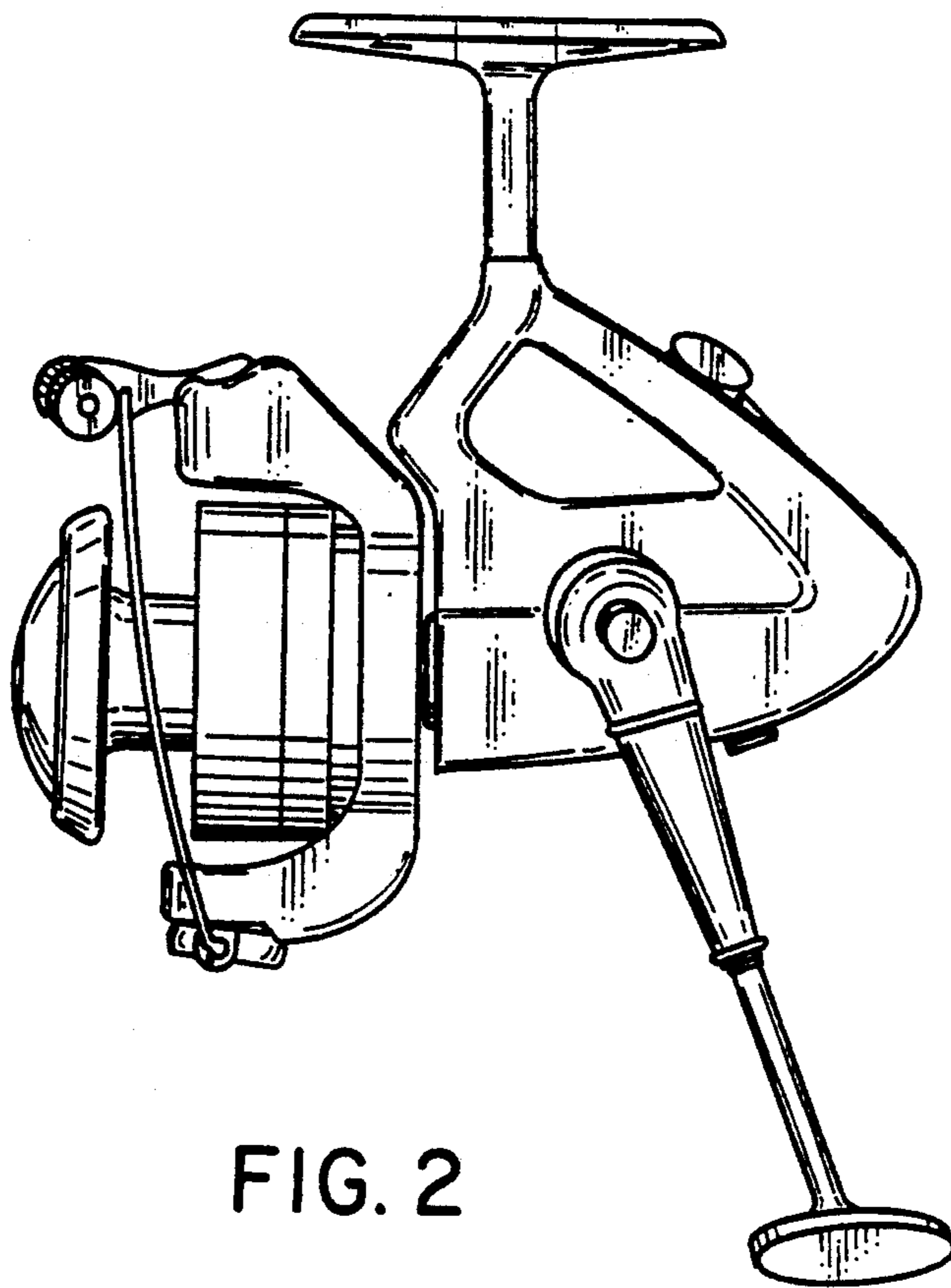


FIG. 2

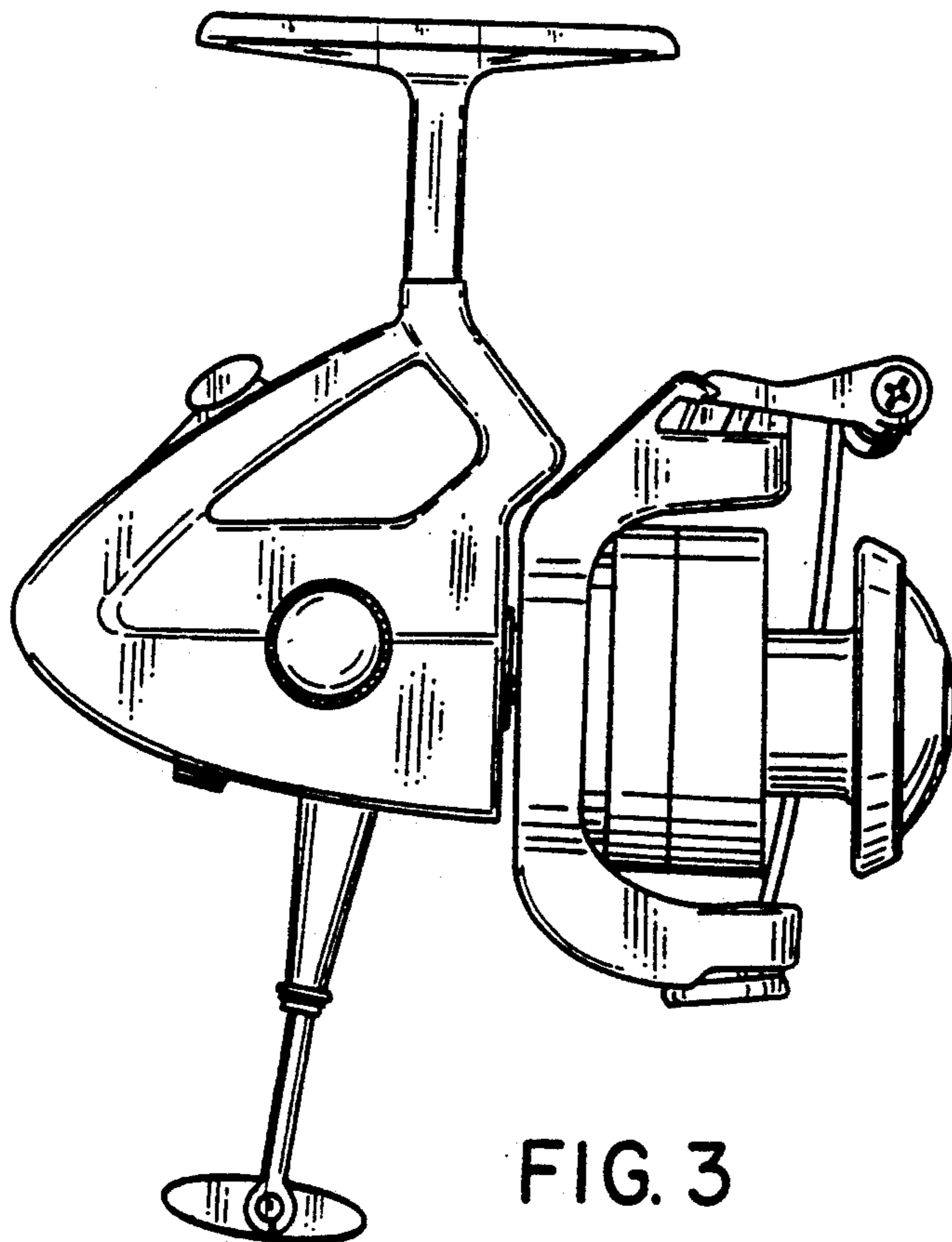


FIG. 3

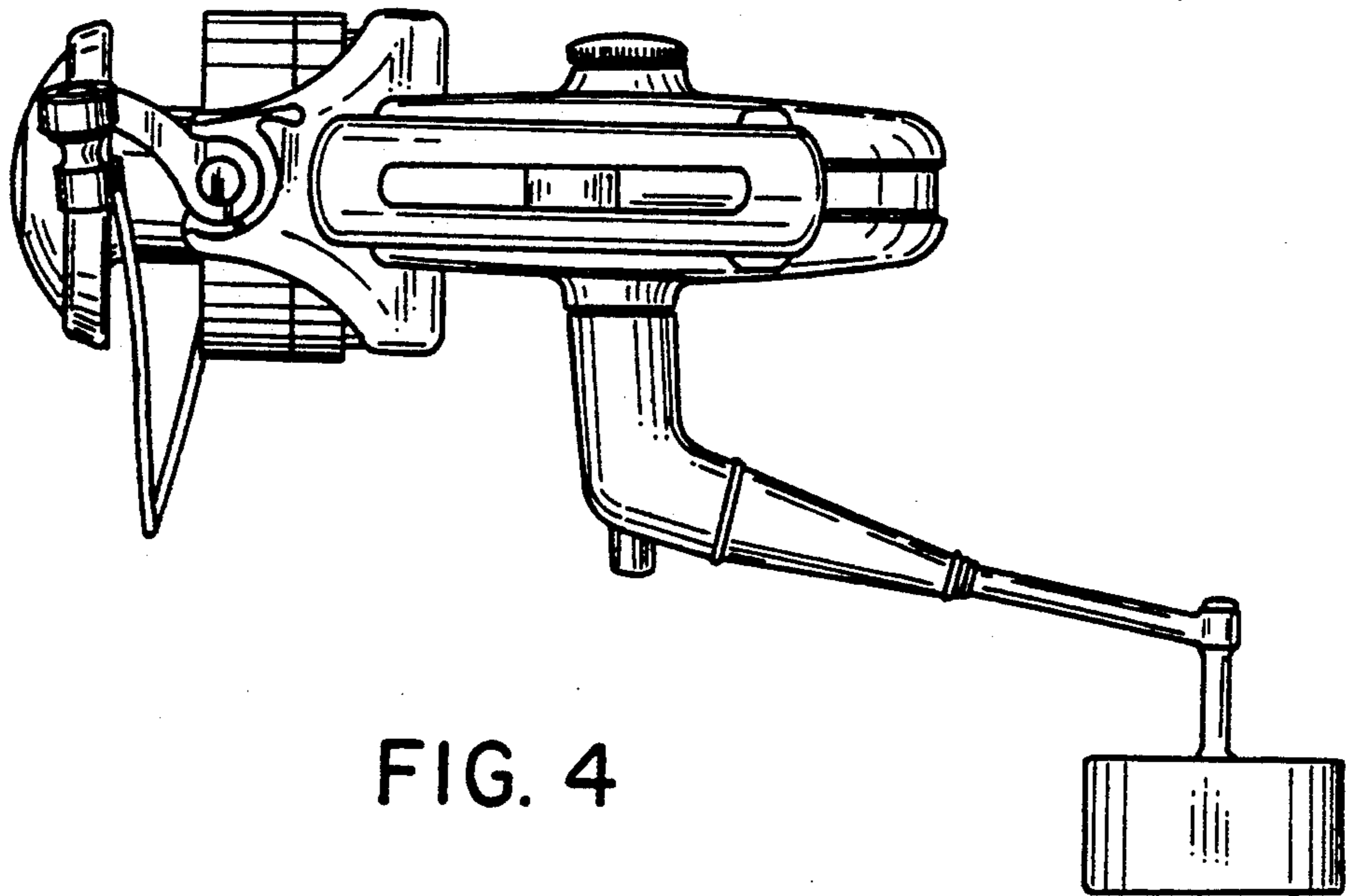


FIG. 4

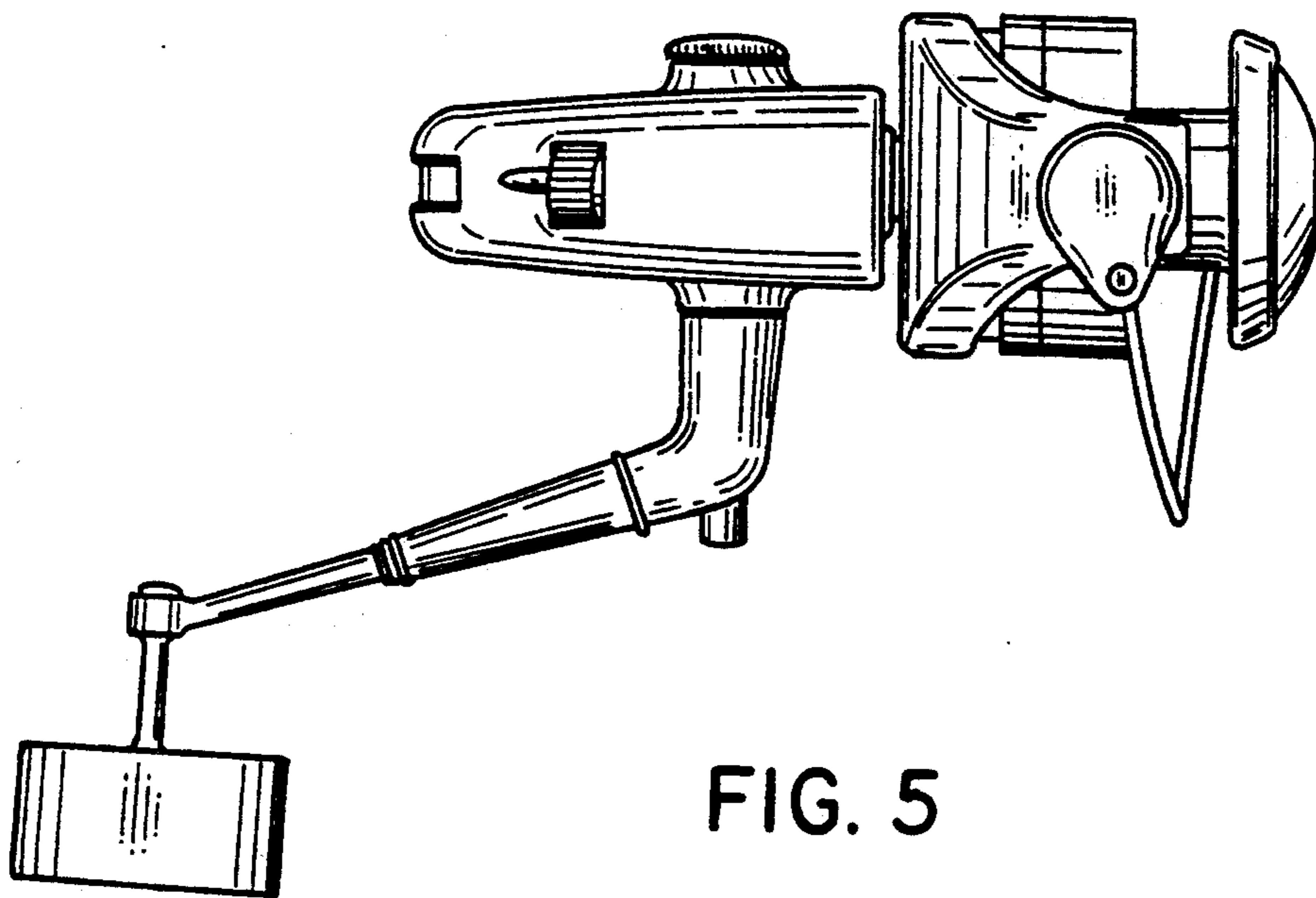


FIG. 5

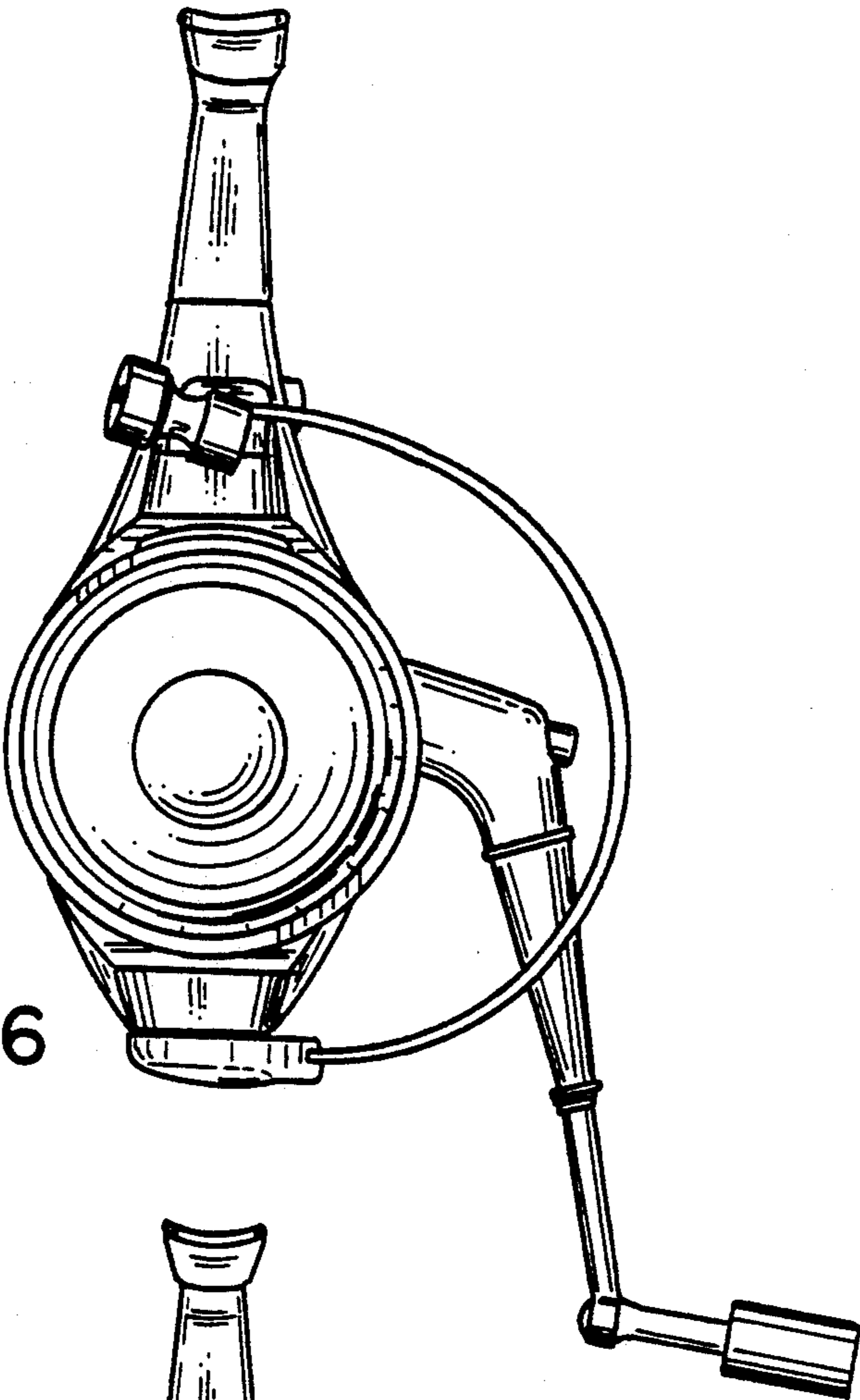


FIG. 6

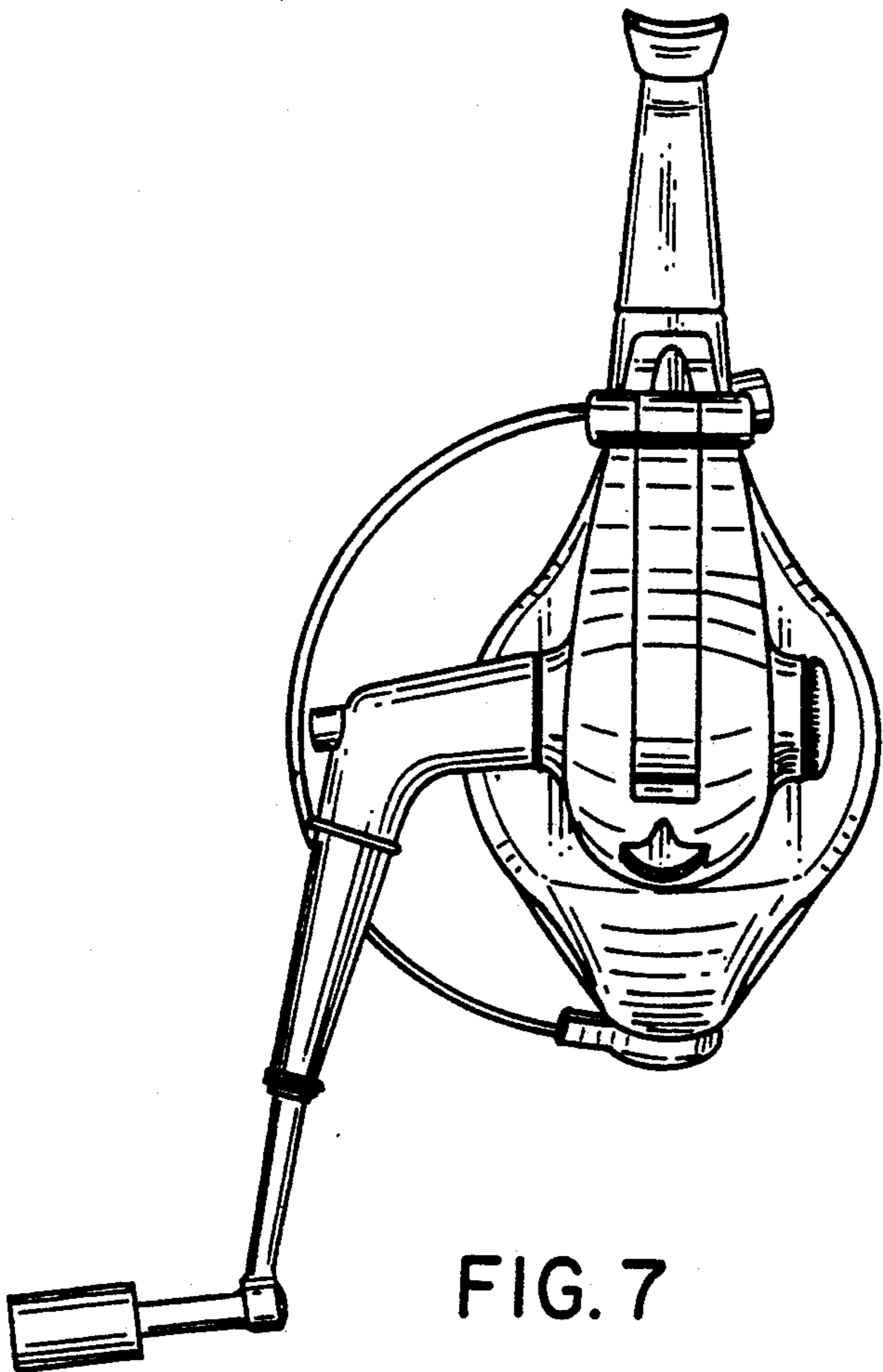


FIG. 7