



US00D324089S

# United States Patent [19]

[11] Patent Number: **Des. 324,089**

Miller

[45] Date of Patent: **\*\* Feb. 18, 1992**

[54] **CLIMBER TYPE PHYSICAL EXERCISER**

[75] Inventor: **Randolph F. Miller, Mount Vernon, Wash.**

[73] Assignee: **Tunturi, Inc., Redmond, Wash.**

[\*\*] Term: **14 Years**

[21] Appl. No.: **527,261**

[22] Filed: **May 23, 1990**

[52] U.S. Cl. .... **D21/191**

[58] Field of Search ..... **D21/191-199;**  
**272/65, 69, 70, 141, 144, 145, 96, 100, 130**

[56] **References Cited**

**U.S. PATENT DOCUMENTS**

D. 302,194	7/1989	Charnitski	.....	D21/191
4,555,108	11/1985	Monteiro	.....	272/69
4,822,029	4/1989	Sarno et al.	.....	272/69
4,848,737	7/1989	Earenfield	.....	272/69
4,900,012	2/1990	Fu	.....	272/60

**OTHER PUBLICATIONS**

Brochure relating to Voit Sports, Inc. SCX/75 Electronic Stair Climber with Side Rails.

Brochure of Weslo, Inc. relating to Summit ST80 Dual Action Stepper.

Brochure relating to Sports/Medical Products, Inc.

StairMaster 4000 PT Personal Trainer (U.S. Pat. No. 4,708,338).

Brochure relating to Pro-Form Fitness Products, Inc. PRO-FORM Ascent Dual Action Motivational Stepper.

Owner's Manual of Sears, Roebuck and Co. relating to Lifestyler 3000p Dual Action Motivational Stepper (Part No. 046286 9/89, Model 831.285020).

*Primary Examiner*—Charles A. Rademaker  
*Attorney, Agent, or Firm*—Graybeal, Jackson

[57] **CLAIM**

The ornamental design for a climber type physical exerciser, as shown and described.

**DESCRIPTION**

FIG. 1 is a perspective view of a climber type physical exerciser, showing my new design;

FIG. 2 is a left side elevational view thereof, the side opposite being substantially a mirror image;

FIG. 3 is a front elevational view thereof;

FIG. 4 is a rear elevational view thereof;

FIG. 5 is a bottom plan view thereof; and

FIG. 6 is a top plan view thereof.

The right side elevational view is the mirror image of the left side elevational view with the positions of the pedal arms reversed.

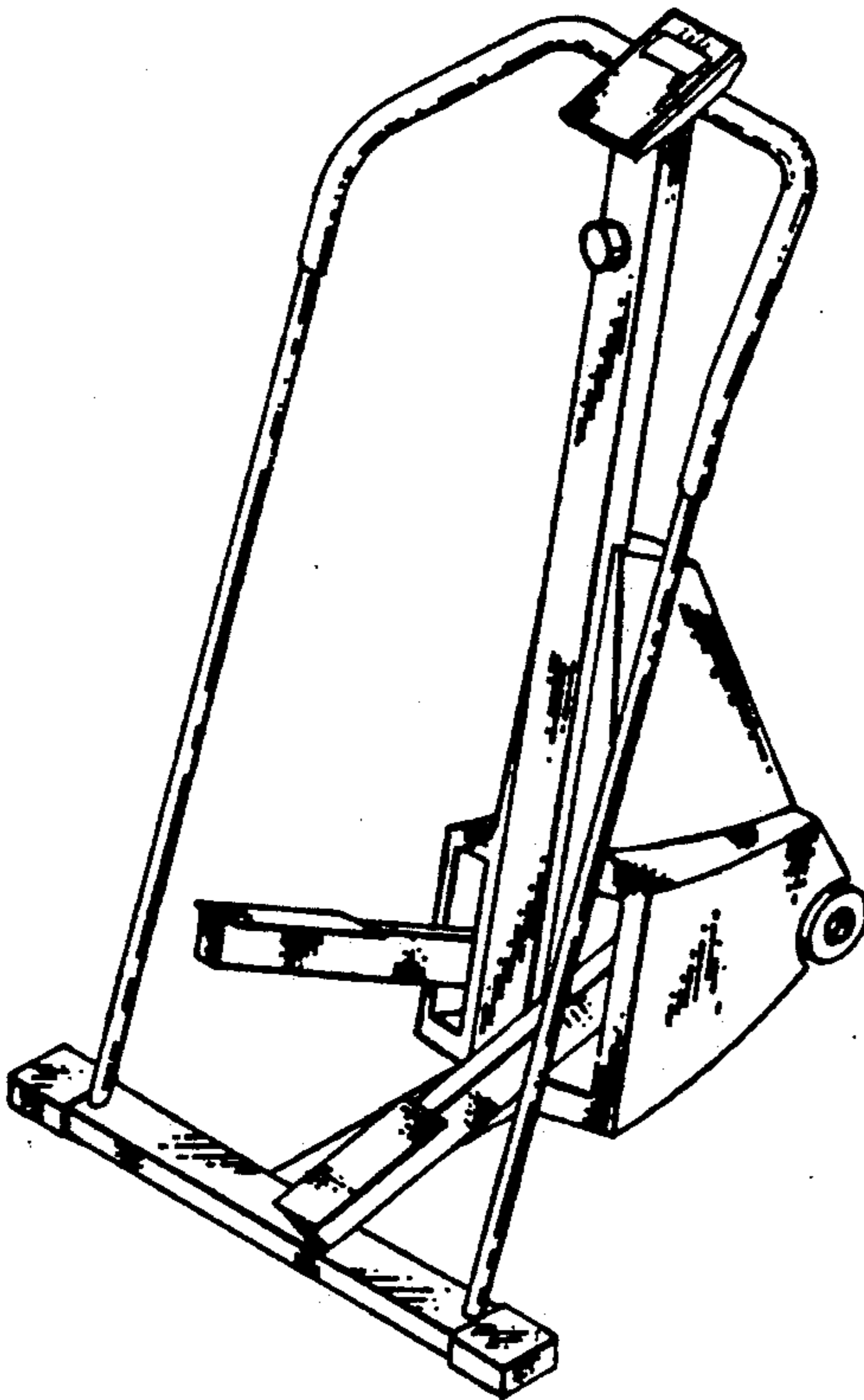


FIG. 1

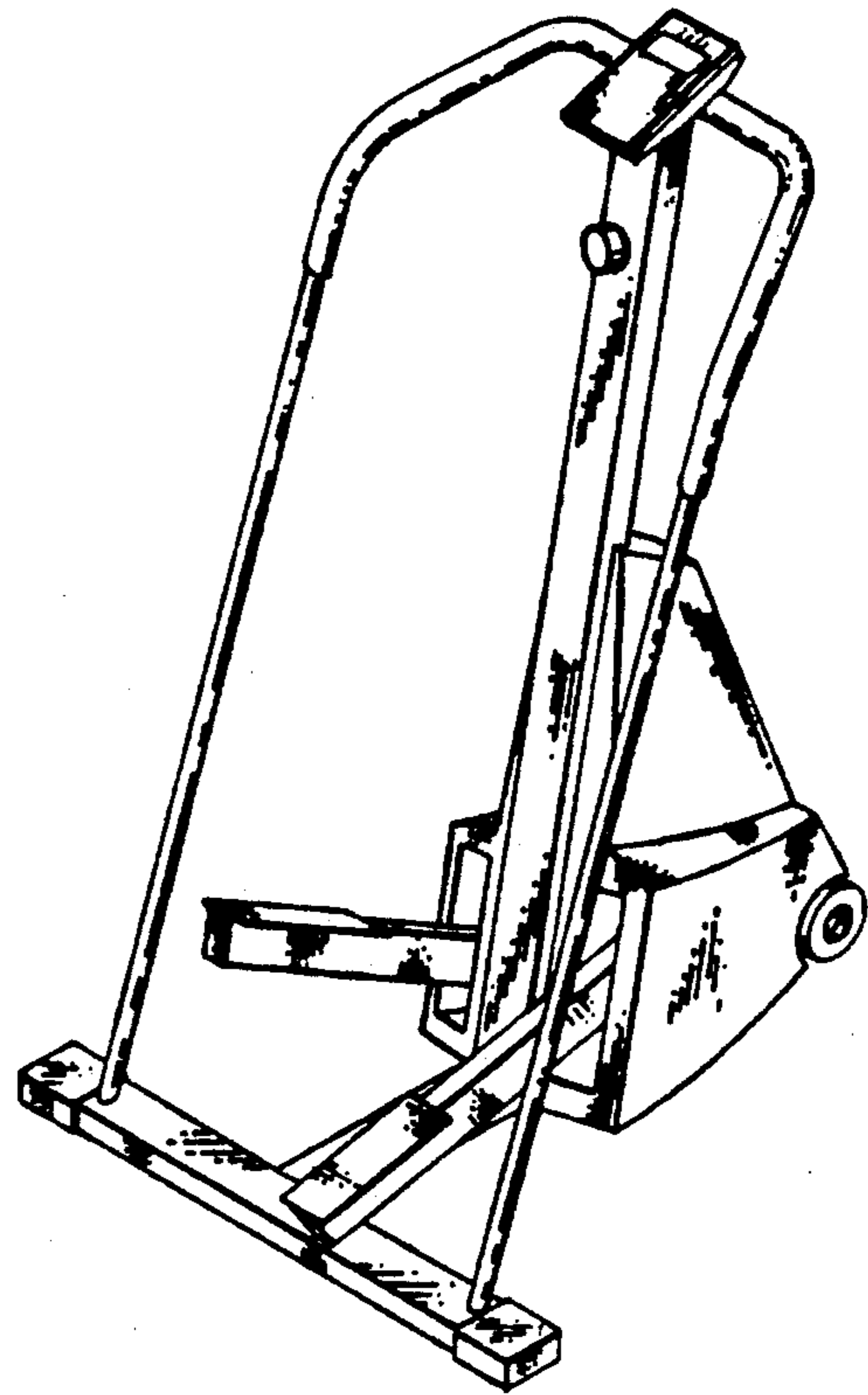


FIG. 2

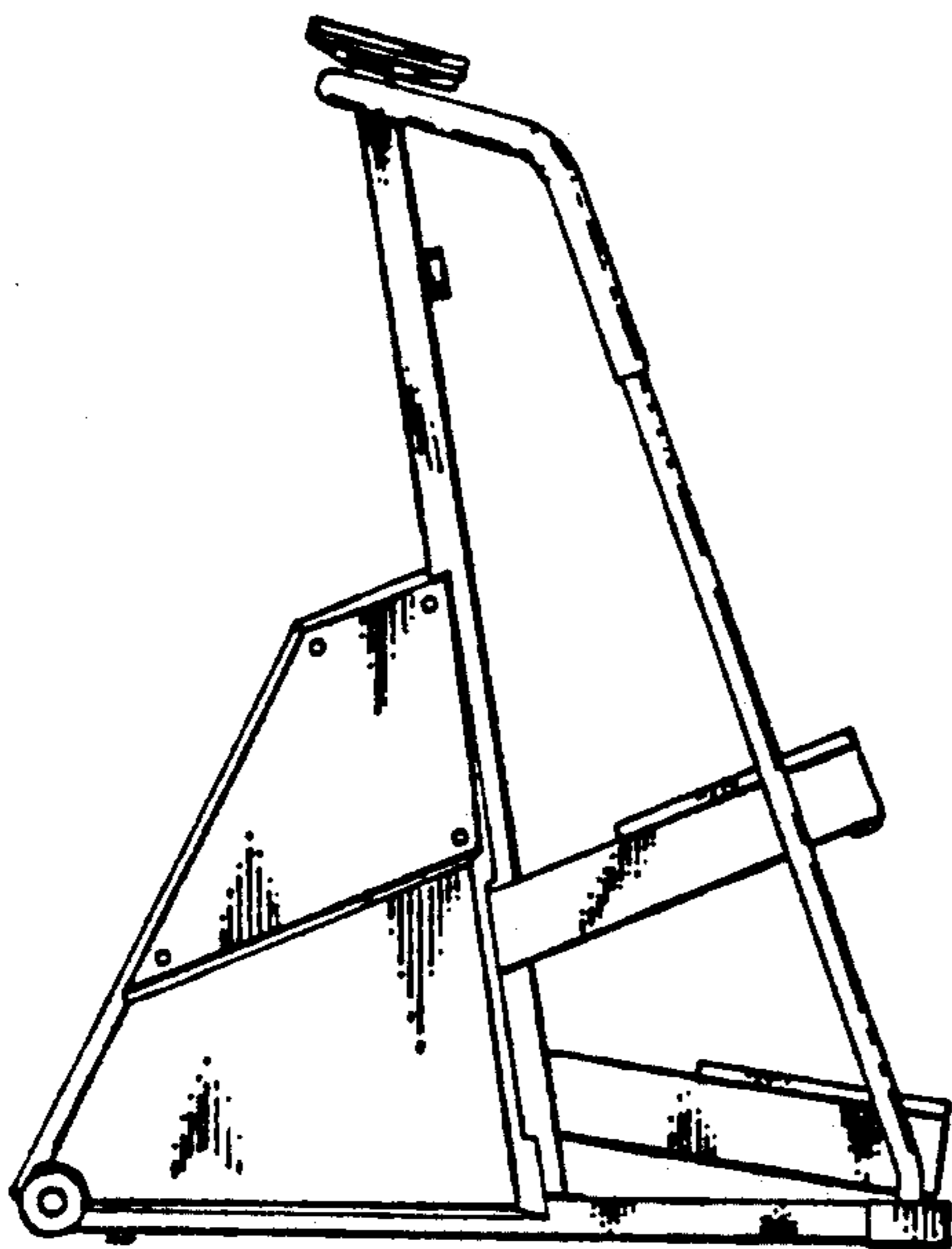


FIG. 3

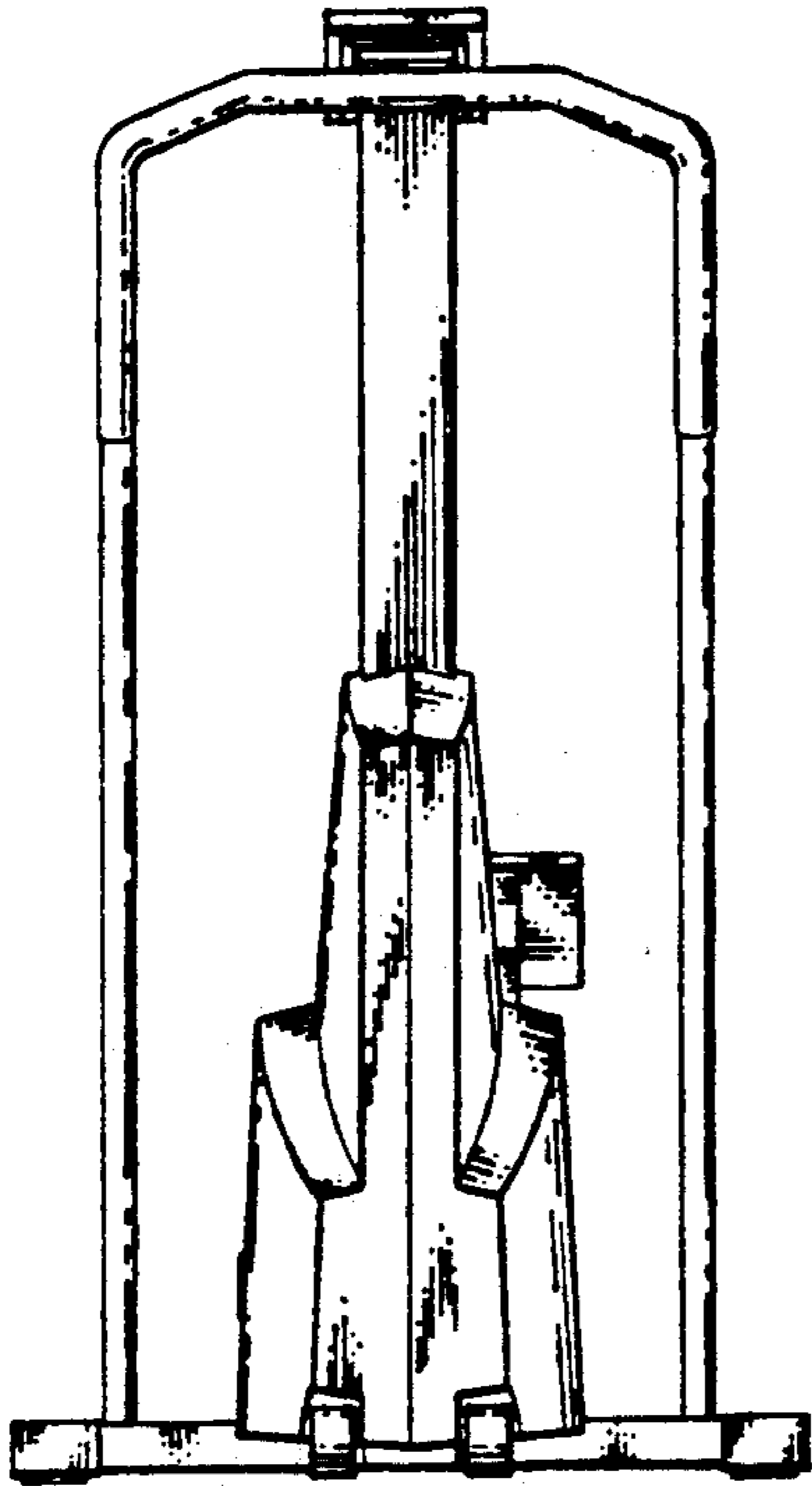


FIG. 4

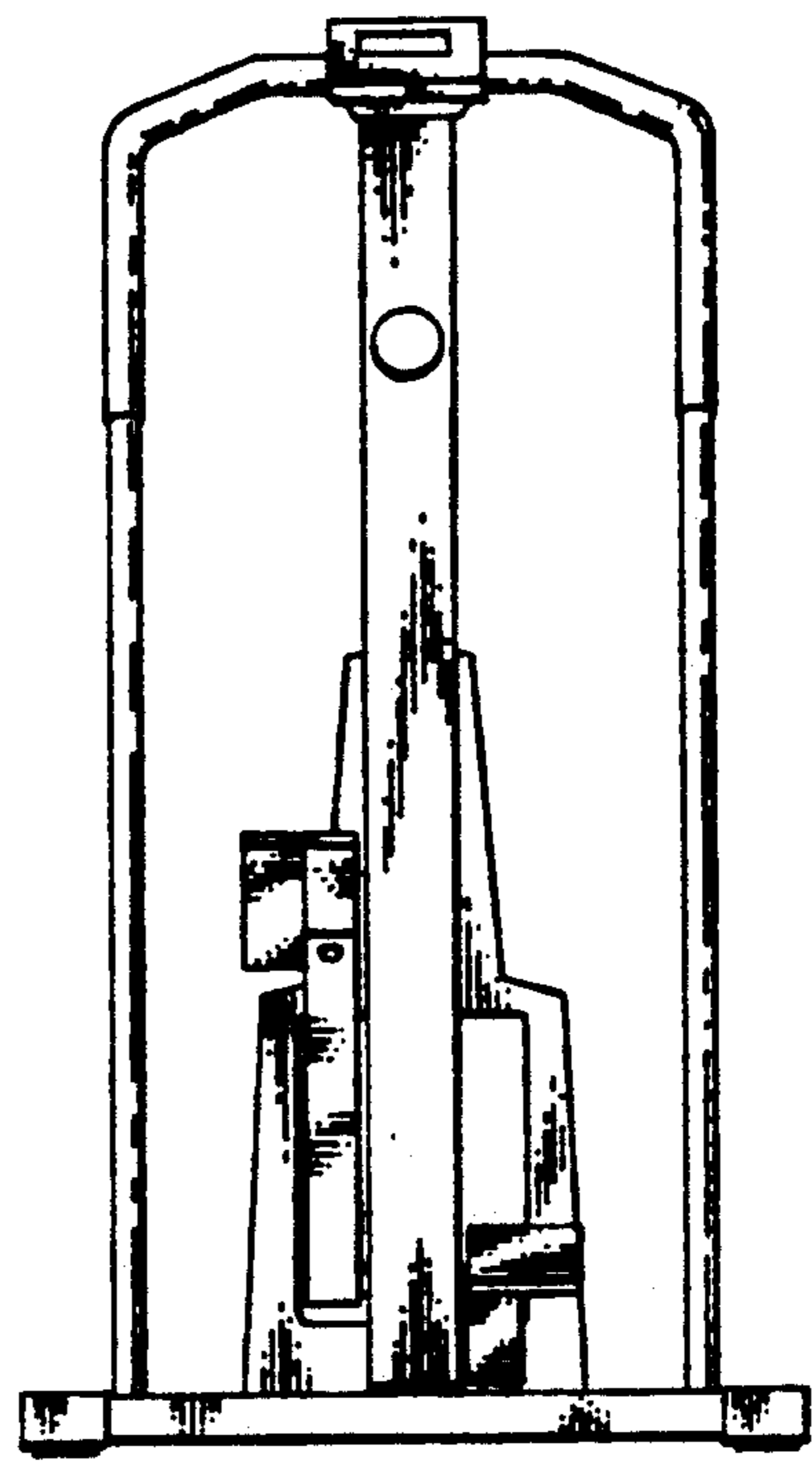


FIG. 5

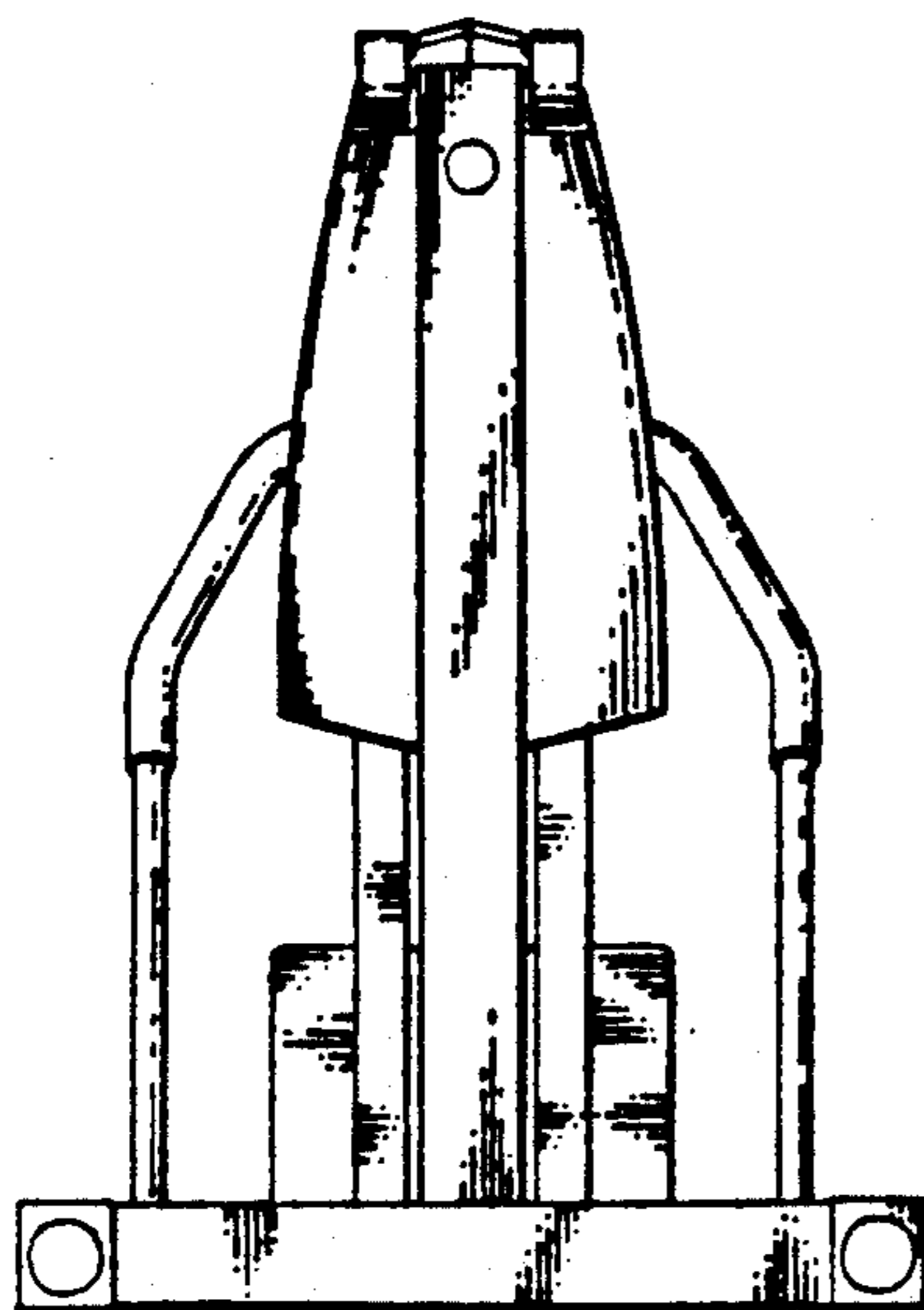


FIG. 6

